



US00D501934S

(12) **United States Design Patent**
Mushett

(10) **Patent No.:** **US D501,934 S**
(45) **Date of Patent:** **** Feb. 15, 2005**

(54) **OFFSET SUPPORT BLOCK WITH FLAT FACE**

D473,954 S 4/2003 Mondo D25/118
2002/0081152 A1 6/2002 King
2002/0094235 A1 7/2002 King

(75) Inventor: **Daniel J. Mushett**, Oakridge, TN (US)

OTHER PUBLICATIONS

(73) Assignee: **Interstate Timber Products Inc.**, Oak Ridge, TN (US)

Anro Timber Products Recycled Polymeric Block, Jun. 25, 2003 (date unknown).

(**) Term: **14 Years**

Primary Examiner—Robert A Delehanty

(74) *Attorney, Agent, or Firm*—Pearne & Gordon LLP

(21) Appl. No.: **29/185,773**

(57) **CLAIM**

(22) Filed: **Jul. 1, 2003**

The ornamental design for an offset support block with flat face, shown as described.

(51) **LOC (7) Cl.** **25-01**

(52) **U.S. Cl.** **D25/118**

(58) **Field of Search** D25/112–115,
D25/118; 405/273, 284, 286; 52/596–597,
600–601, 604–609

DESCRIPTION

FIG. 1 is a perspective view of an offset support block with flat face embodying my new design.

FIG. 2 is a top plan view thereof.

FIG. 3 is a front elevational view with the back being a mirror image thereof.

FIG. 4 is a bottom plan view thereof; and,

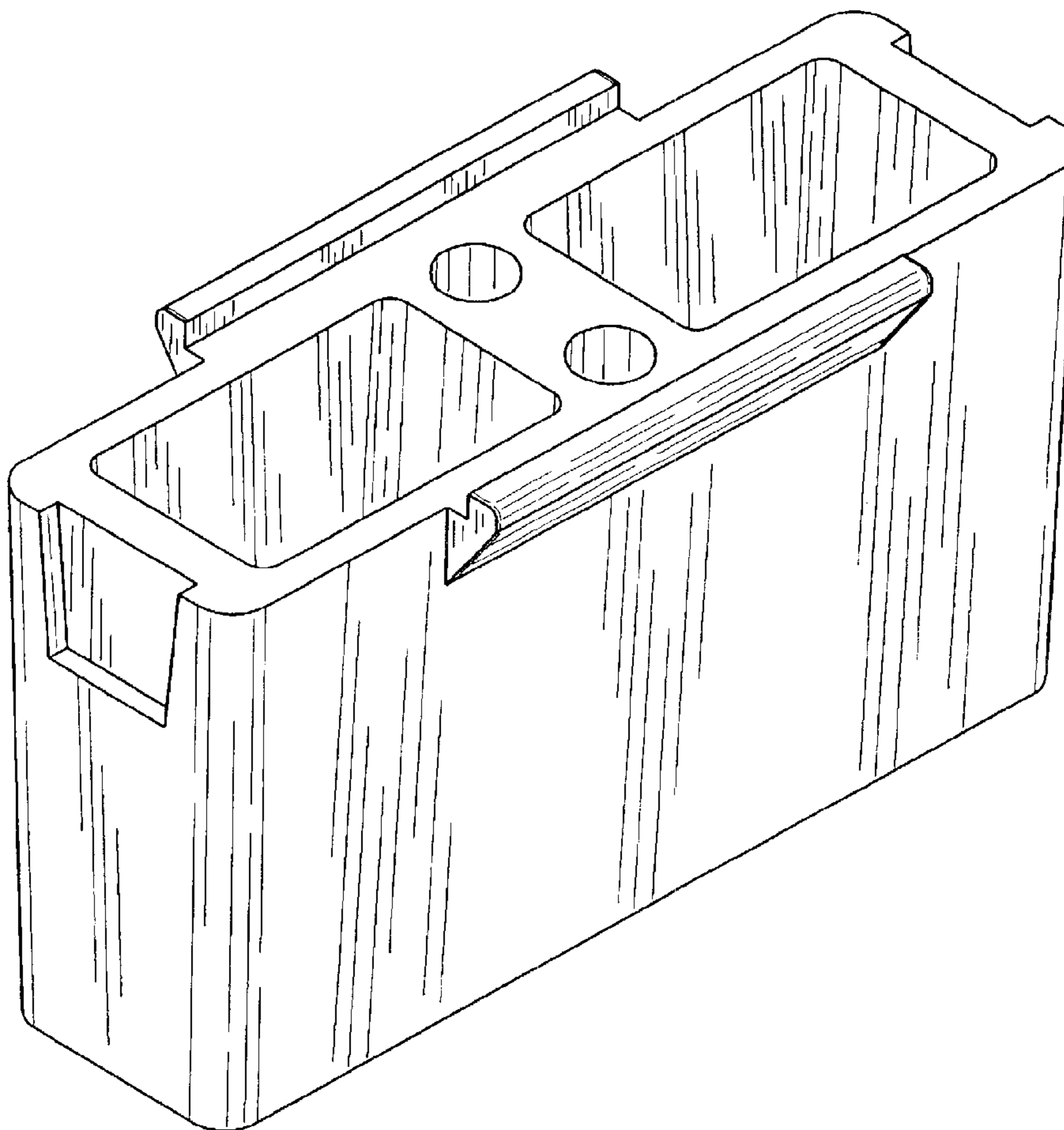
FIG. 5 is an end elevational view with the opposite end being a mirror image thereof.

(56) **References Cited**

U.S. PATENT DOCUMENTS

6,007,269 A 12/1999 Marinelli
6,308,936 B1 10/2001 Atwood
D465,034 S 10/2002 Mondo
6,530,560 B2 3/2003 King

1 Claim, 3 Drawing Sheets



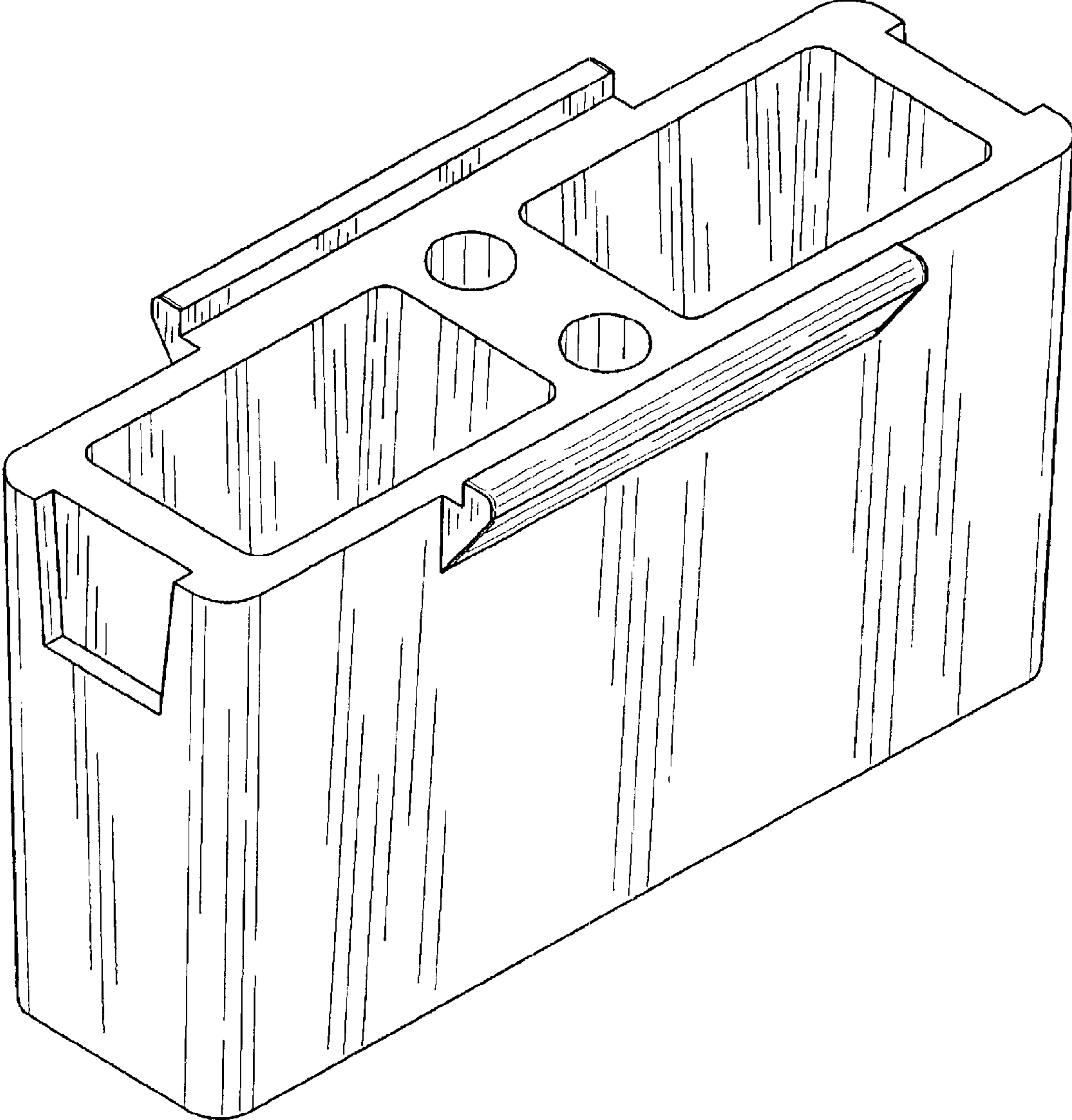


Fig. 1

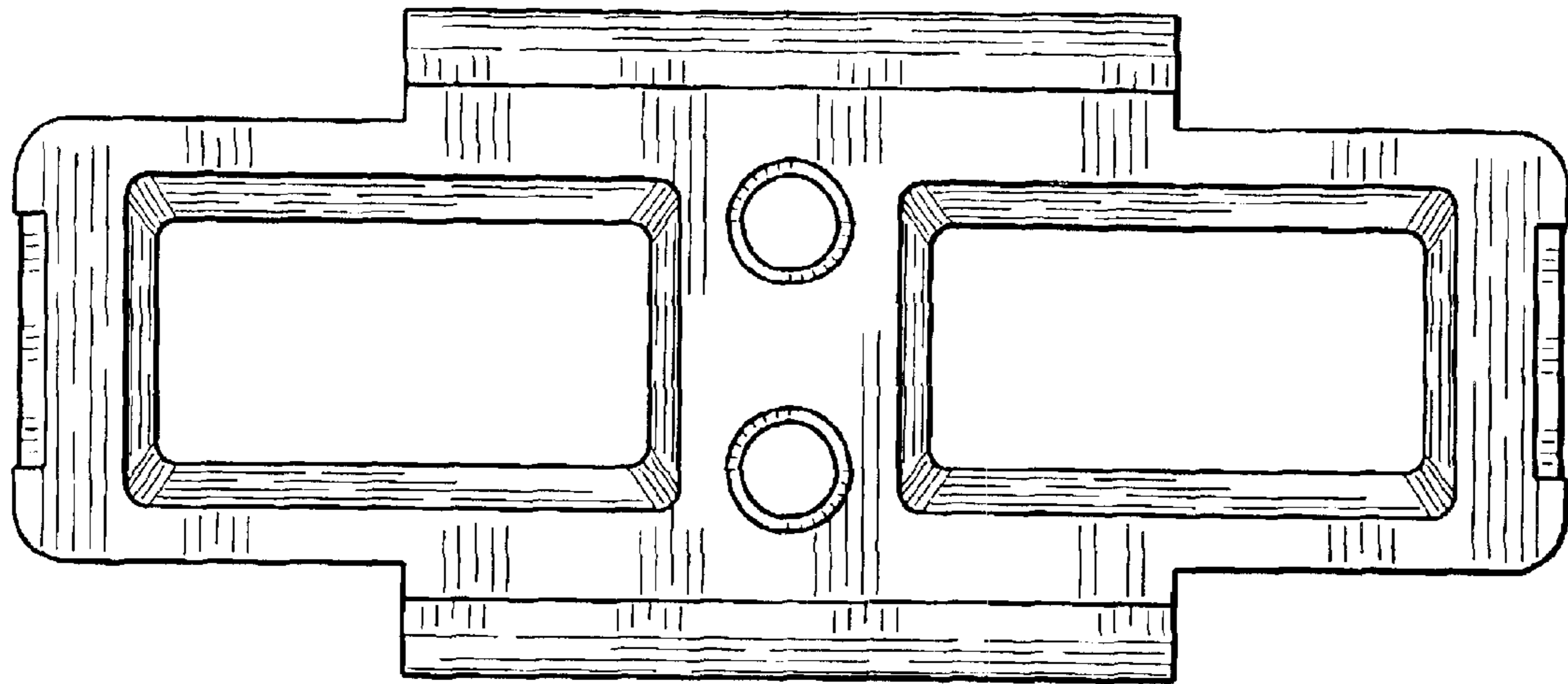


Fig. 2

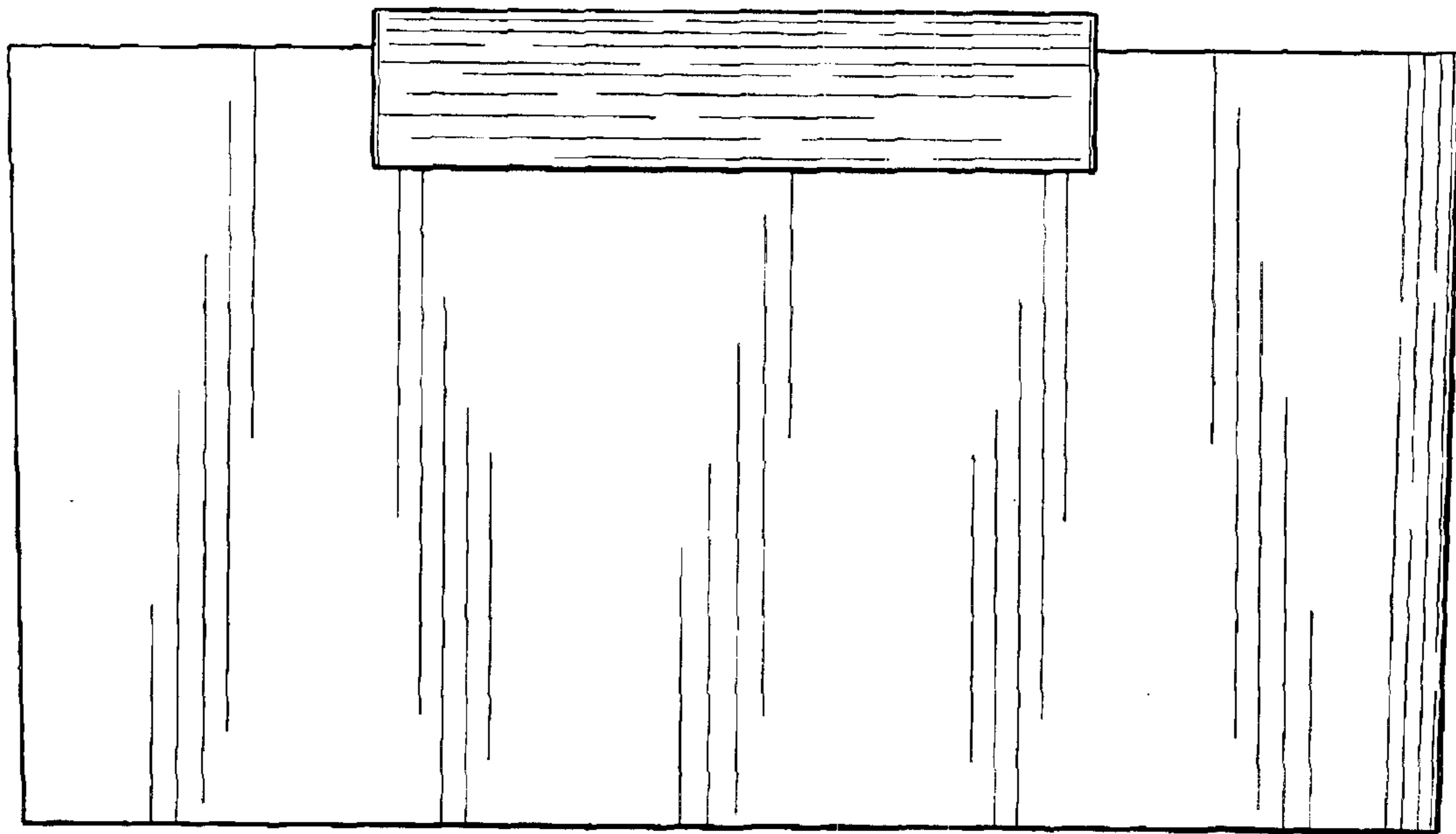


Fig. 3

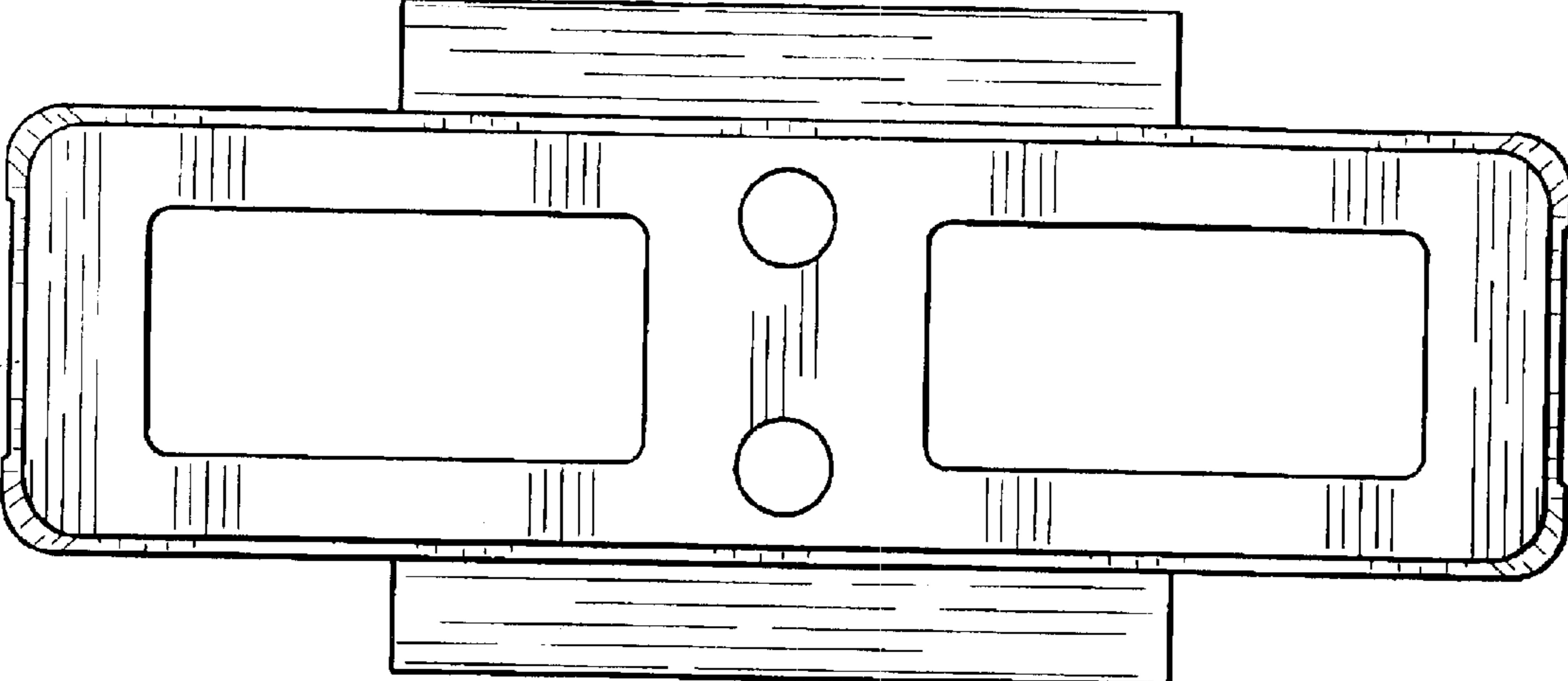


Fig. 4

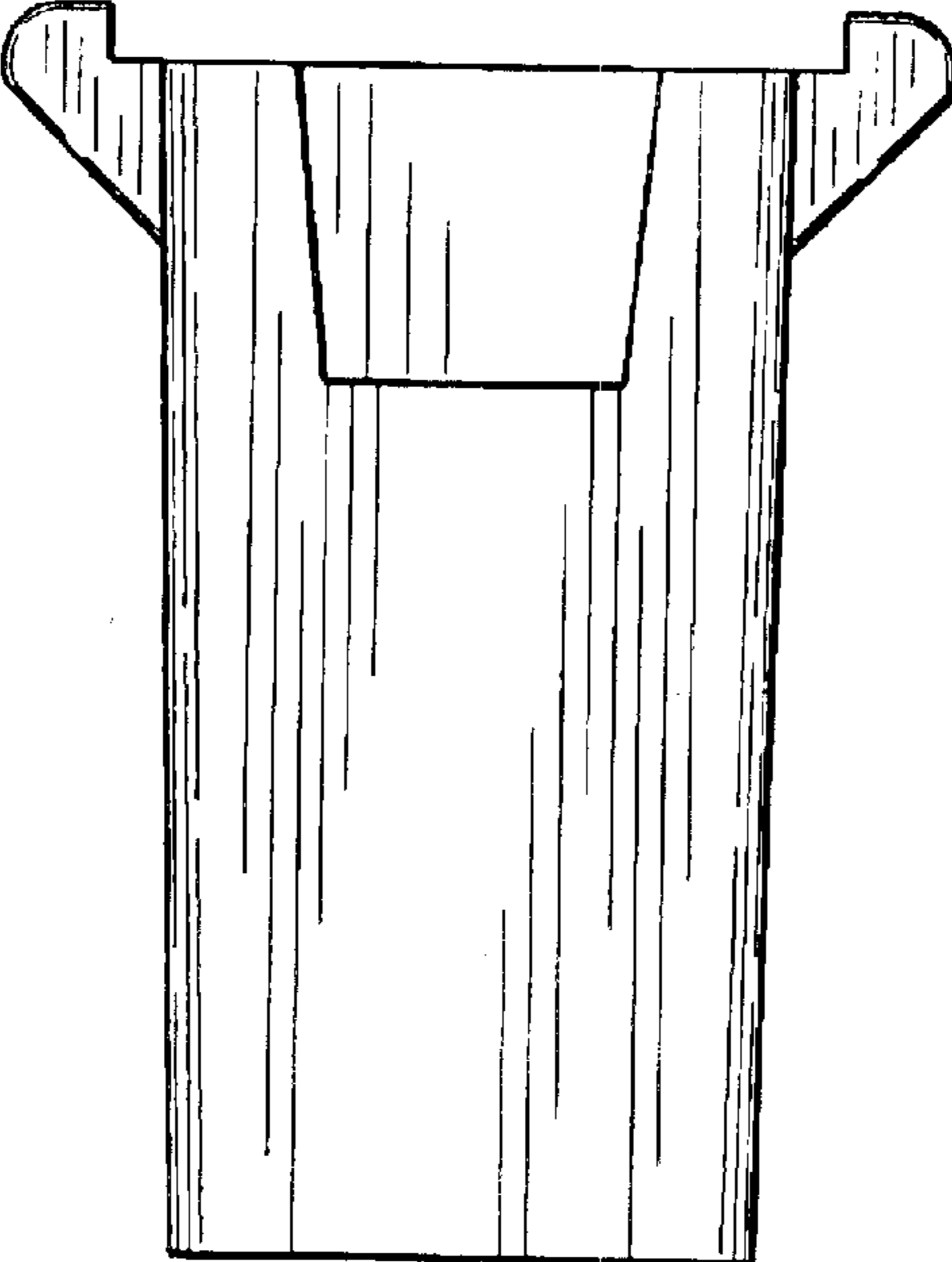


Fig. 5