

US00D501933S

(12) **United States Design Patent**  
**Dinter**

(10) **Patent No.:** **US D501,933 S**  
(45) **Date of Patent:** **\*\* Feb. 15, 2005**

(54) **SET OF PAVERS**

(76) **Inventor:** **Joachim Deflet Dinter**, 81 Strathalbyn Street, East Kew, Victoria 3102 (AU)

(\*\*) **Term:** **14 Years**

(21) **Appl. No.:** **29/189,465**

(22) **Filed:** **Sep. 5, 2003**

(30) **Foreign Application Priority Data**

Mar. 18, 2003 (AU) ..... 978/2003

(51) **LOC (7) Cl.** ..... **25-01**

(52) **U.S. Cl.** ..... **D25/113**

(58) **Field of Search** ..... D25/112-116,  
D25/118; D21/484-486, 493, 499-502,  
504-505; 405/16, 284; 404/19-20, 27-31,  
34-42; 52/105, 574-575, 596-612; 36/3 R

(56) **References Cited**

**U.S. PATENT DOCUMENTS**

- 1,339,596 A \* 5/1920 Depatie ..... D25/113
- 1,746,169 A \* 2/1930 Swanson ..... D25/113
- 3,012,377 A \* 12/1961 Sunukjian ..... D25/113
- 3,025,614 A \* 3/1962 Bingham ..... 36/3 R
- 3,220,141 A \* 11/1965 Goss, III ..... 52/592.5
- 4,121,397 A \* 10/1978 Marocci et al. .... D25/113

- D299,069 S \* 12/1988 Risi et al. .... D25/113
- 4,996,810 A \* 3/1991 Forde ..... 52/607
- D363,558 S \* 10/1995 McCoy ..... D25/113
- D397,270 S \* 8/1998 Maalouf ..... D25/113

\* cited by examiner

*Primary Examiner*—Robert A. Delehanty

(74) *Attorney, Agent, or Firm*—Stephen A. Slusher; Peacock Myers & Adams, P.C.

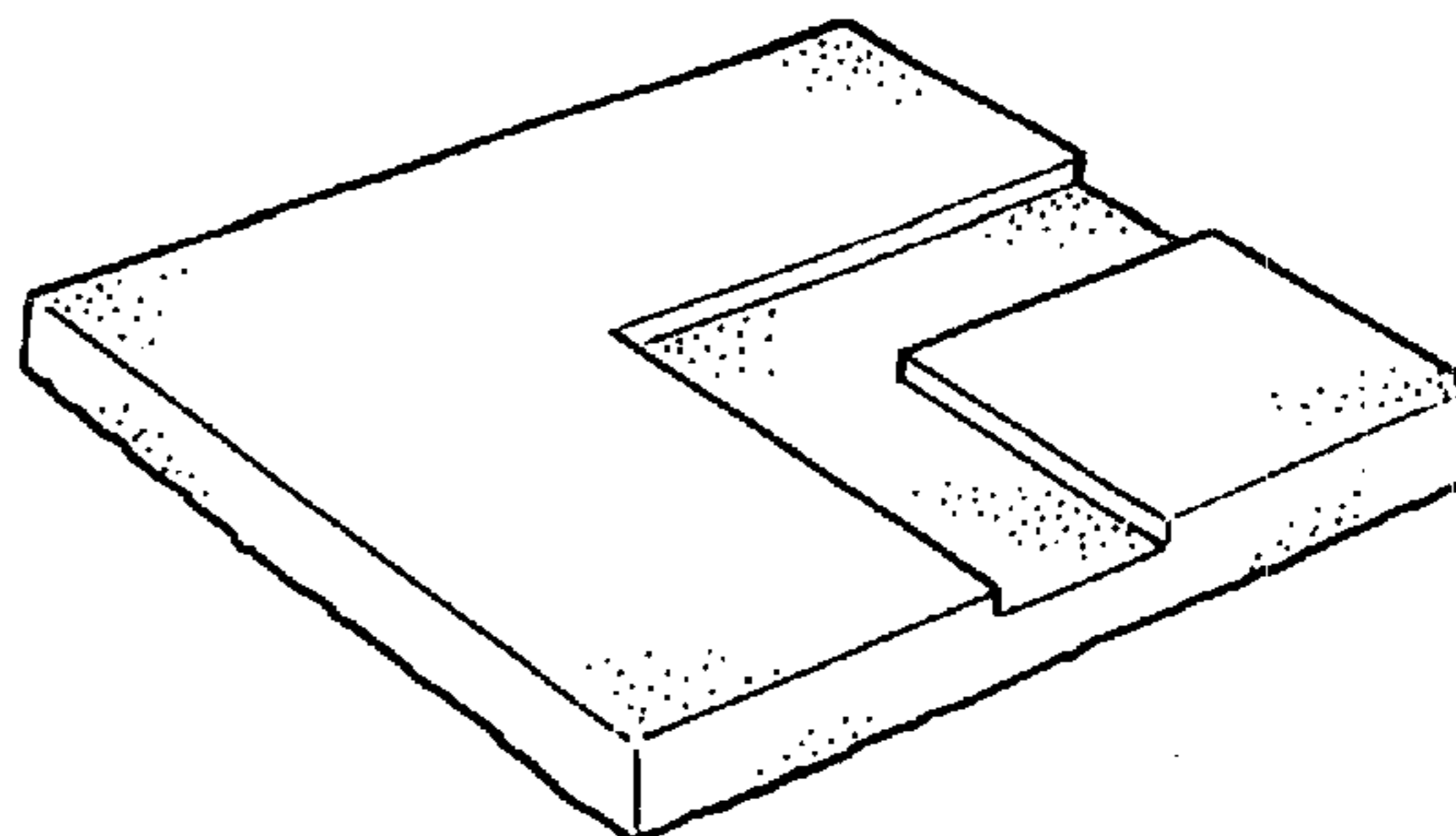
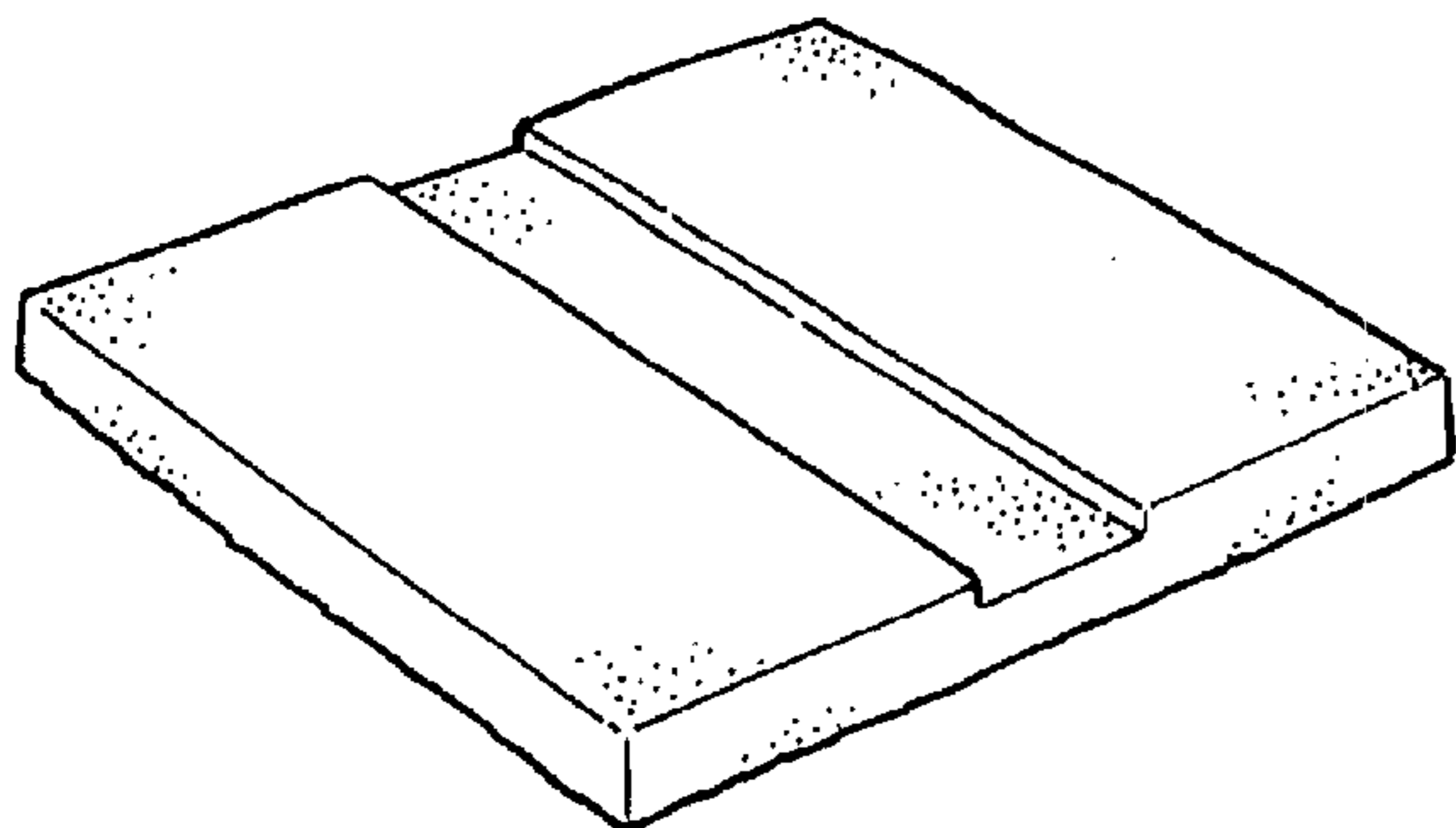
(57) **CLAIM**

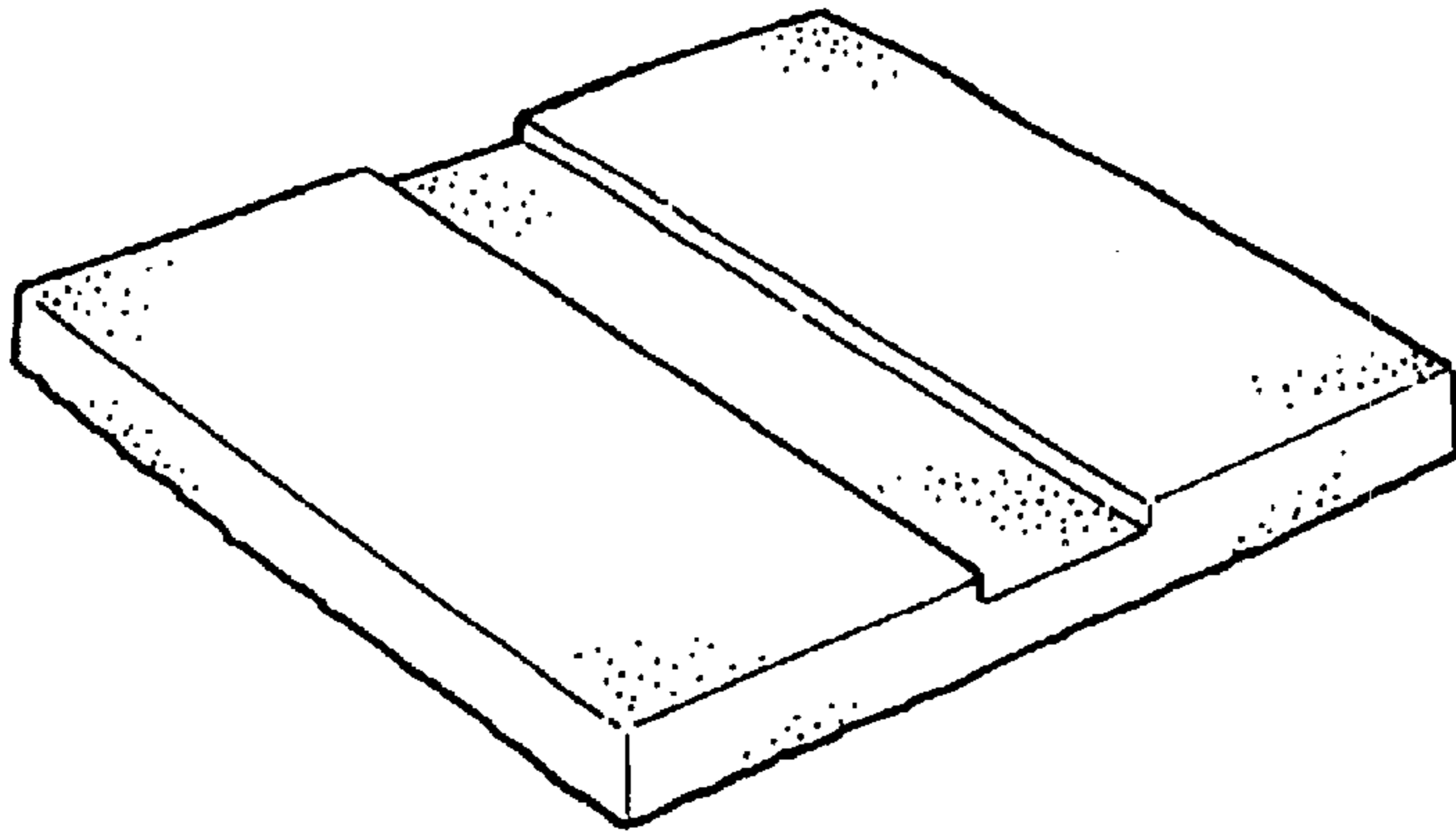
The ornamental design for a set of pavers, as shown and described.

**DESCRIPTION**

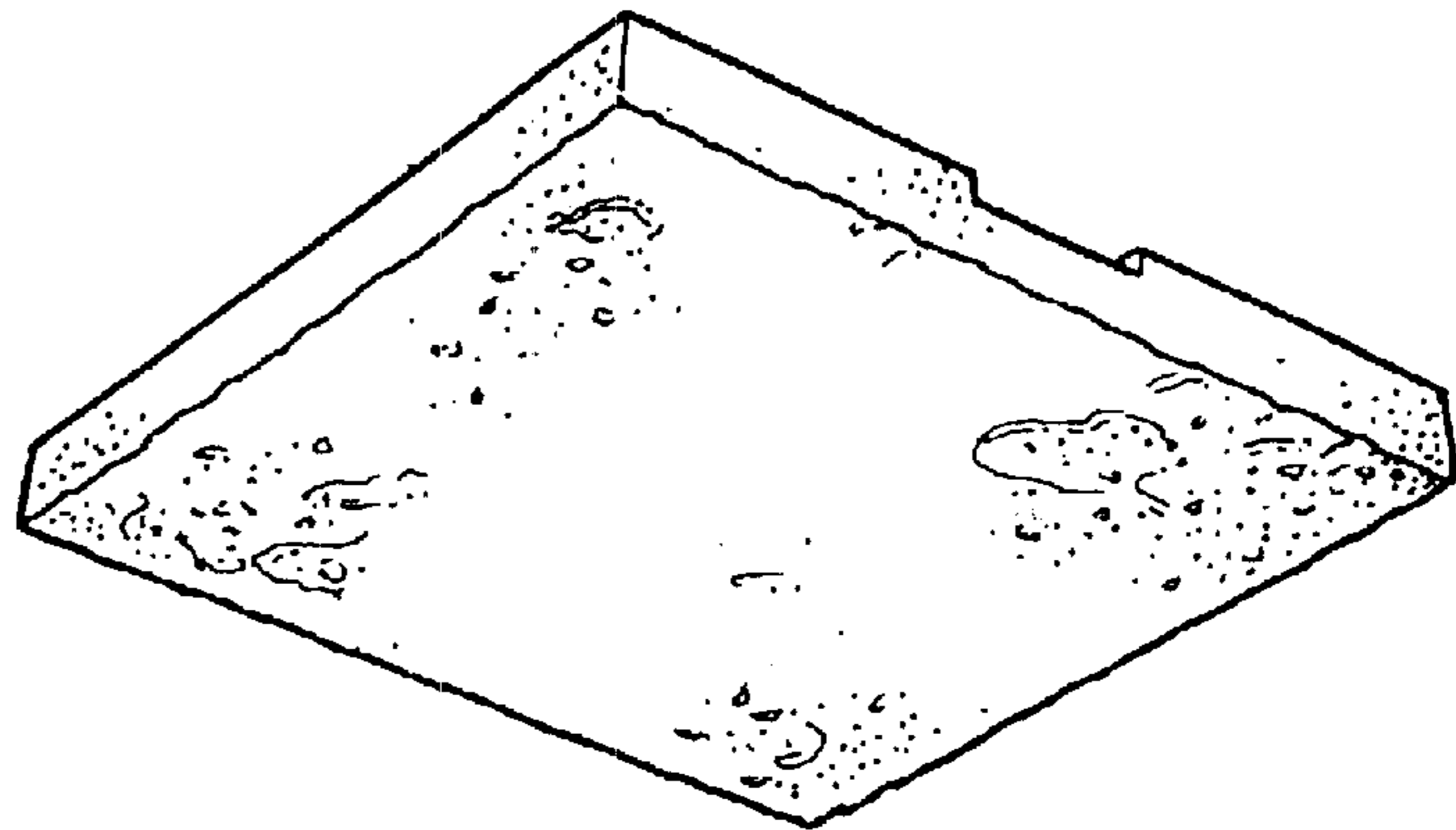
FIG. 1 is a front, top perspective view of one of the pavers comprising the set;  
 FIG. 2 is a rear, bottom perspective view thereof;  
 FIG. 3 is a front elevation view thereof;  
 FIG. 4 is a side elevation view thereof;  
 FIG. 5 is a top plan view thereof;  
 FIG. 6 is a front, top perspective view of the other of the pavers comprising the set thereof;  
 FIG. 7 is a rear, bottom perspective view thereof;  
 FIG. 8 is a front elevation view thereof;  
 FIG. 9 is a side elevation view thereof; and,  
 FIG. 10 is a top plan view thereof.

**1 Claim, 2 Drawing Sheets**





*Fig. 1*



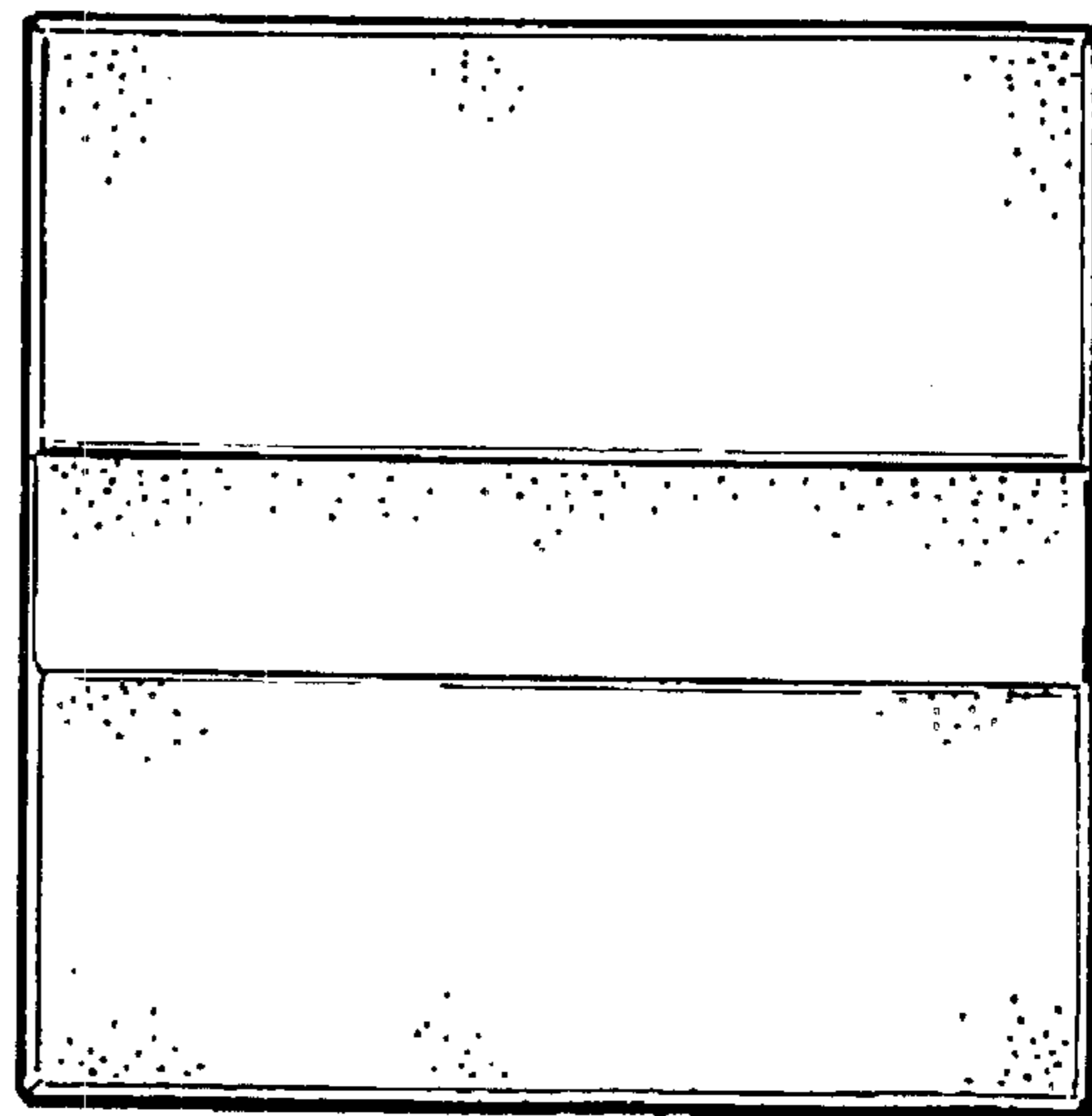
*Fig. 2*



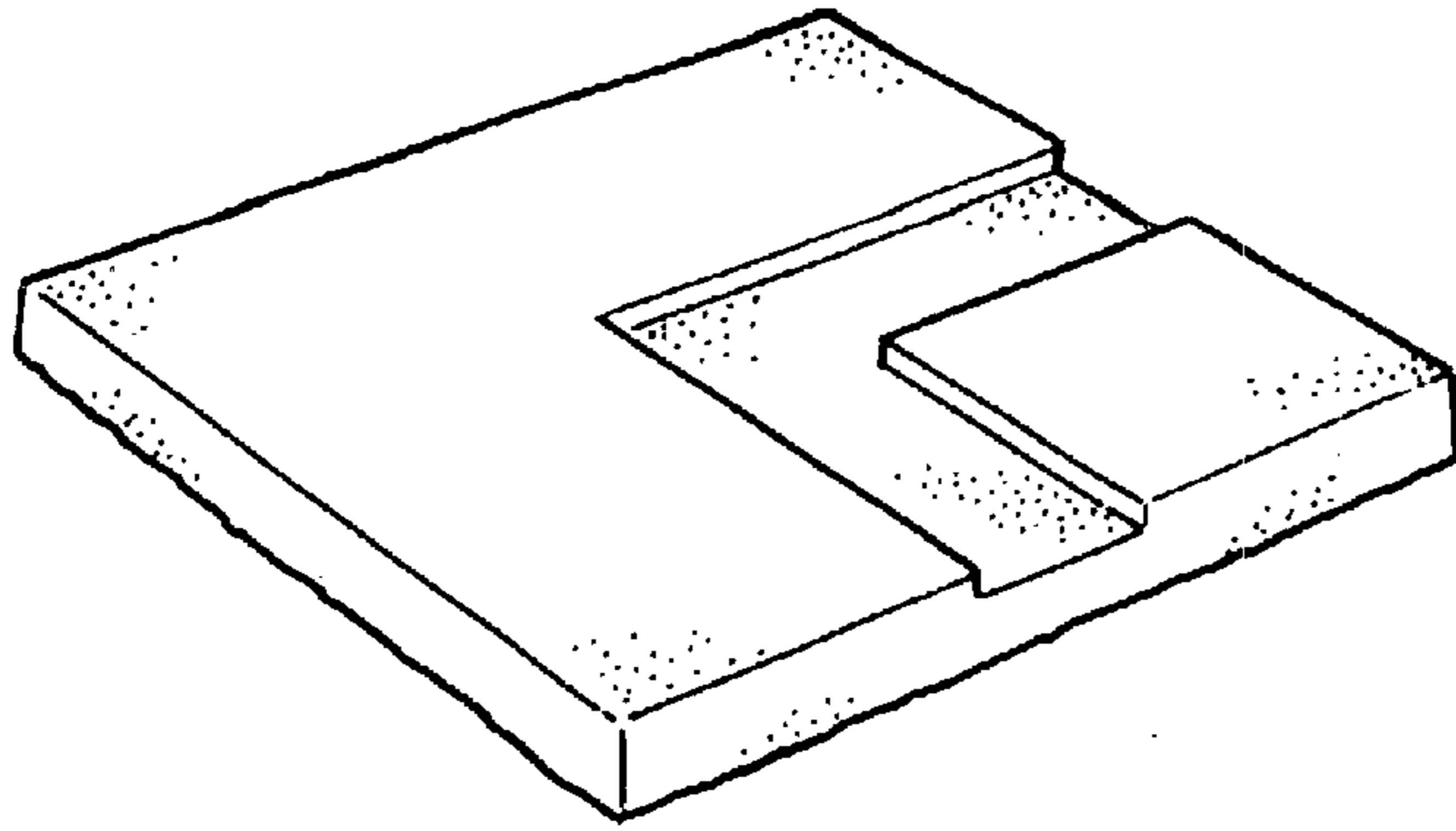
*Fig. 3*



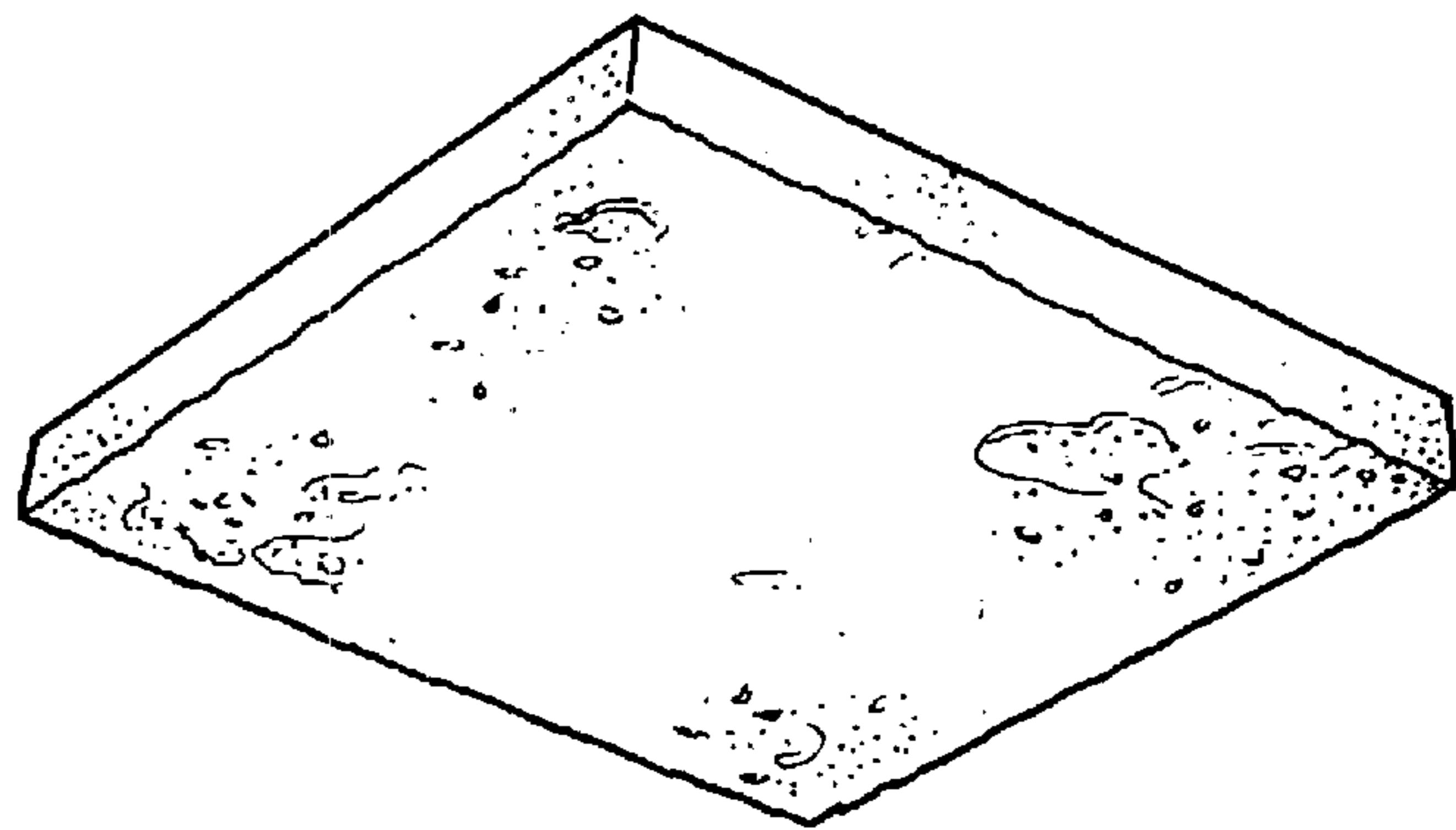
*Fig. 4*



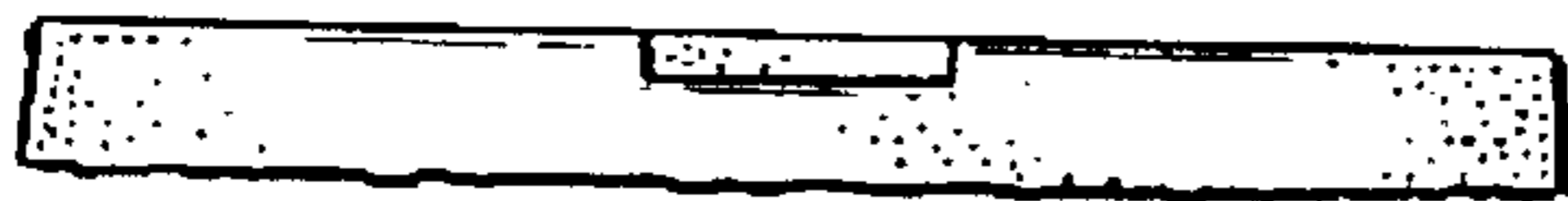
*Fig. 5*



*Fig. 6*



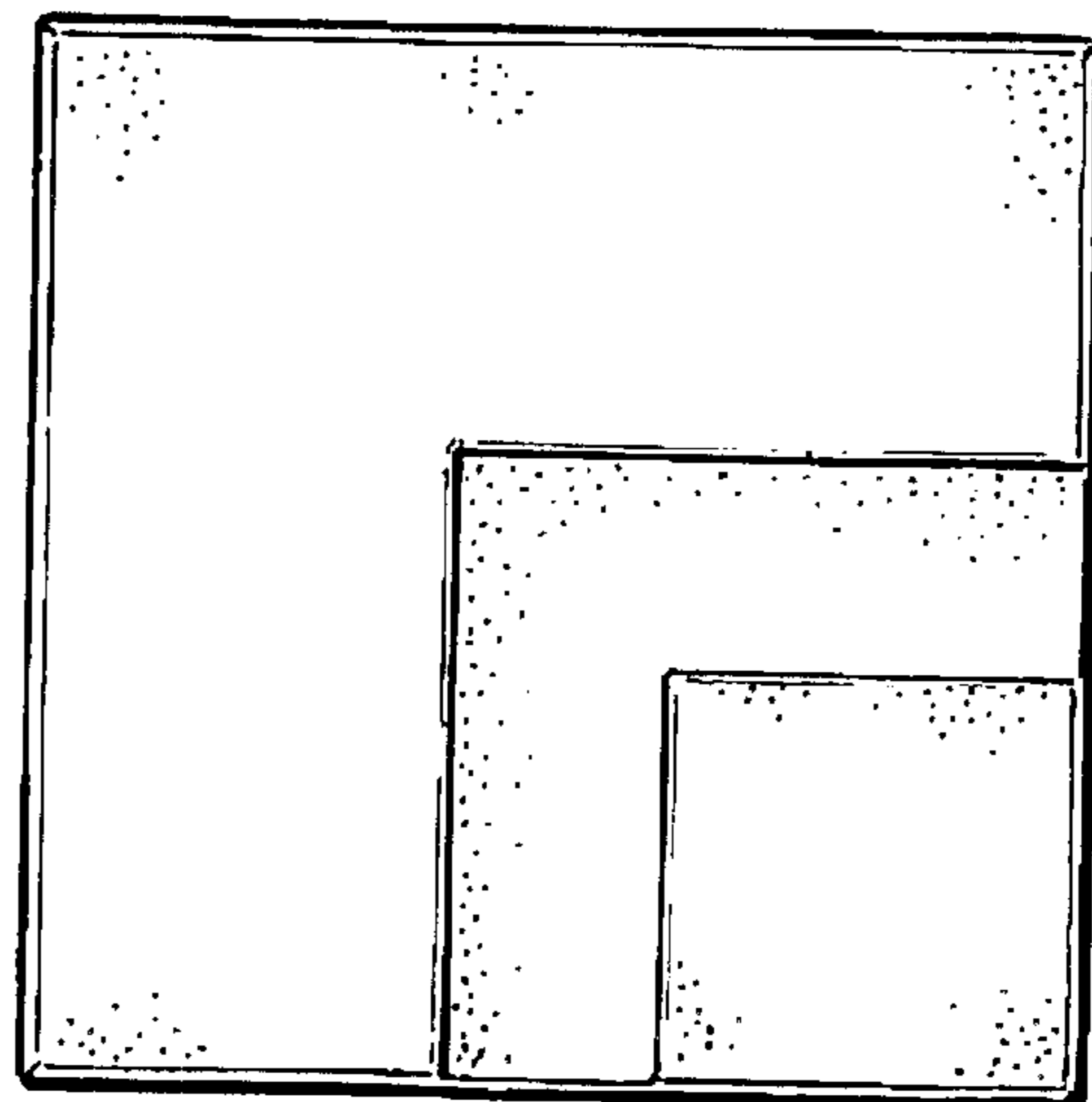
*Fig. 7*



*Fig. 8*



*Fig. 9*



*Fig. 10*