

US00D501931S

(12) **United States Design Patent** (10) **Patent No.:** **US D501,931 S**  
**Davina et al.** (45) **Date of Patent:** **\*\* Feb. 15, 2005**

(54) **DOOR PANEL**

(75) Inventors: **Glenn A. Davina**, Klamath Falls, OR (US); **James S. Hackett**, Klamath Falls, OR (US); **Christopher Murphy King**, Klamath Falls, OR (US); **Daniel Stanley Malicki**, Klamath Falls, OR (US)

(73) Assignee: **Jeld-Wen, Inc.**, Klamath Falls, OR (US)

(\*\*) Term: **14 Years**

(21) Appl. No.: **29/169,943**

(22) Filed: **Oct. 29, 2002**

(51) **LOC (7) Cl.** ..... **25-02**

(52) **U.S. Cl.** ..... **D25/48; D25/138**

(58) **Field of Search** ..... **D25/138, 48; 52/455, 52/311.2, 314, 316, 474, 475.1; 49/501, 504**

(56) **References Cited**

**U.S. PATENT DOCUMENTS**

619,676 A	2/1899	Cronin
D132,040 S	4/1942	Cummings
2,343,740 A	3/1944	Birmingham
2,682,083 A	6/1954	Patton
2,831,793 A	4/1958	Elmendorf
3,098,781 A	7/1963	Greten
3,121,263 A	2/1964	Binner
3,212,948 A	10/1965	McMahon
3,308,013 A	3/1967	Bryant
3,512,304 A	5/1970	Meuret
3,533,190 A	10/1970	Hilfinger et al.

(List continued on next page.)

**FOREIGN PATENT DOCUMENTS**

DE	3801486 A1	8/1989
EP	0 049 299 B1	4/1982
EP	0 225 629 B2	6/1987

**OTHER PUBLICATIONS**

“The New Mission Series” product brochure by Nord, Part of the JELD-WEN family, 300 W. Marine View Drive, Everett, WA 98201-1030, in existence at least as of Oct. 29, 2002.

*Primary Examiner*—Doris Clark  
(74) *Attorney, Agent, or Firm*—Kilpatrick Stockton LLP

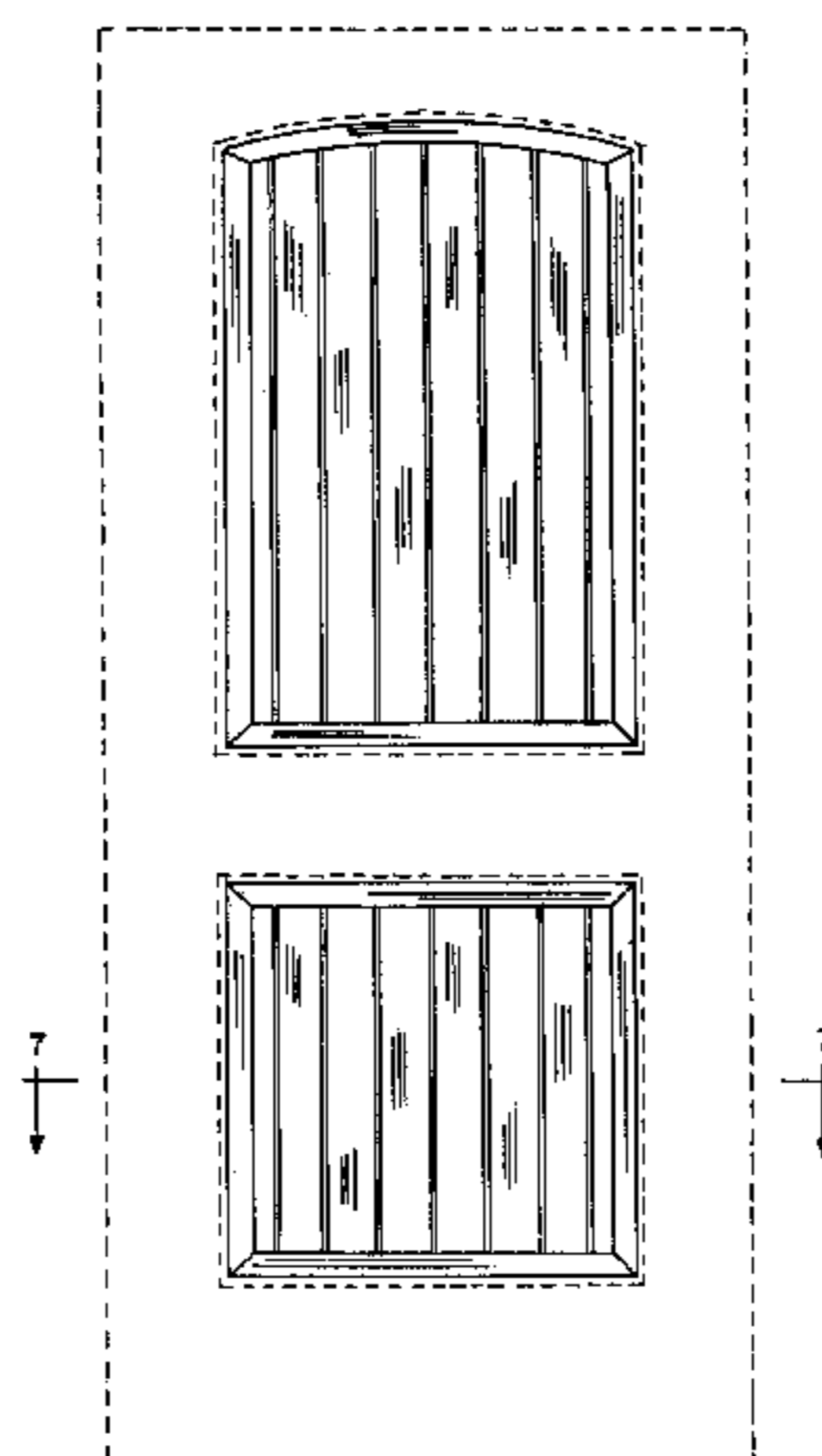
(57) **CLAIM**

The ornamental design for a door panel, as shown and described.

**DESCRIPTION**

FIG. 1 is a front elevational view of a door panel showing our new design;  
FIG. 2 is a front elevational view of a second embodiment of a door panel;  
FIG. 3 is a front elevational view of a third embodiment of a door panel;  
FIG. 4 is a front elevational view of a fourth embodiment of a door panel;  
FIG. 5 is a front elevational view of a fifth embodiment of a door panel;  
FIG. 6 is a front elevational view of a sixth embodiment of a door panel;  
FIG. 7 is a cross-sectional view of the door panel taken along line 7—7 in FIG. 1;  
FIG. 8 is a cross-sectional view of the door panel taken along line 8—8 in FIG. 2;  
FIG. 9 is a cross-sectional view of the door panel taken along line 9—9 in FIG. 3;  
FIG. 10 is a cross-sectional view of the door panel taken along line 10—10 in FIG. 4;  
FIG. 11 is a cross-sectional view of the door panel taken along line 11—11 in FIG. 5;  
FIG. 12 is a cross-sectional view of the door panel taken along line 12—12 in FIG. 6; and,  
FIG. 13 is an enlarged fragmented perspective view of a groove of the door panel illustrated in FIGS. 1 through 6. This view is broken for convenience of illustration. The broken lines are for illustrative purposes only and form no part of the claimed design.

**1 Claim, 8 Drawing Sheets**



# US D501,931 S

Page 2

U.S. PATENT DOCUMENTS					
3,546,841 A	12/1970	Smith et al.	4,908,990 A	3/1990	Yoon et al.
D222,775 S	12/1971	Sartori	4,942,084 A	7/1990	Prince
3,639,200 A	2/1972	Elmendorf et al.	D314,242 S	1/1991	Mikolaitis
3,796,586 A	3/1974	Hanlon et al.	D314,625 S	2/1991	Hall
3,987,599 A	10/1976	Hines	5,016,414 A	5/1991	Wang
D244,736 S	6/1977	Palka	D319,884 S	9/1991	Hall
D245,824 S	9/1977	Palka	5,074,087 A	12/1991	Green
4,236,365 A	12/1980	Wheeler	5,074,092 A	12/1991	Norlander
4,246,310 A	1/1981	Hunt et al.	5,075,059 A	12/1991	Green
4,248,163 A	2/1981	Caughey et al.	5,167,105 A	12/1992	Isban et al.
4,277,428 A	7/1981	Luck et al.	D335,982 S	6/1993	Brandon
D266,042 S	9/1982	Moore et al.	5,219,634 A	6/1993	Aufderhaar
D266,720 S	11/1982	Moore et al.	D338,718 S	8/1993	Izzo
4,361,612 A	11/1982	Shaner et al.	5,239,799 A	8/1993	Bies et al.
4,364,984 A	12/1982	Wentworth	5,293,726 A	3/1994	Schick
4,441,296 A	4/1984	Grabendike et al.	D349,352 S	8/1994	Csati
D274,107 S	6/1984	Gordon	5,355,654 A	10/1994	Stanley
D274,944 S	7/1984	Coppa	5,369,869 A	12/1994	Bies et al.
4,503,115 A	3/1985	Hemels et al.	5,401,556 A	3/1995	Ishitoya et al.
4,552,797 A	11/1985	Munk et al.	5,443,891 A	8/1995	Bach
D282,426 S	2/1986	Heimberger et al.	5,470,631 A	11/1995	Lindquist et al.
4,579,613 A	4/1986	Belanger	D366,939 S	2/1996	Schafernak
4,610,900 A	9/1986	Nishibori	D367,121 S	2/1996	Schafernak
4,610,913 A	9/1986	Barnes	D370,269 S	5/1996	Schafernak
D286,177 S	10/1986	Case et al.	D371,852 S	7/1996	Schafernak
4,622,190 A	11/1986	Schultz	5,543,234 A	8/1996	Lynch et al.
4,720,363 A	1/1988	Mayumi et al.	D382,350 S	8/1997	Lynch
4,811,538 A	3/1989	Lehnert et al.	D388,196 S	12/1997	Schafernak et al.
4,830,929 A	5/1989	Ikeda et al.	5,766,774 A	6/1998	Lynch et al.
4,853,062 A	8/1989	Gartland	D411,022 S	6/1999	Schafernak et al.
4,876,838 A	10/1989	Hagemeyer	D426,645 S *	6/2000	Bonomo et al. .... D25/48
D304,983 S	12/1989	Palka	6,200,687 B1	3/2001	Smith et al.

\* cited by examiner

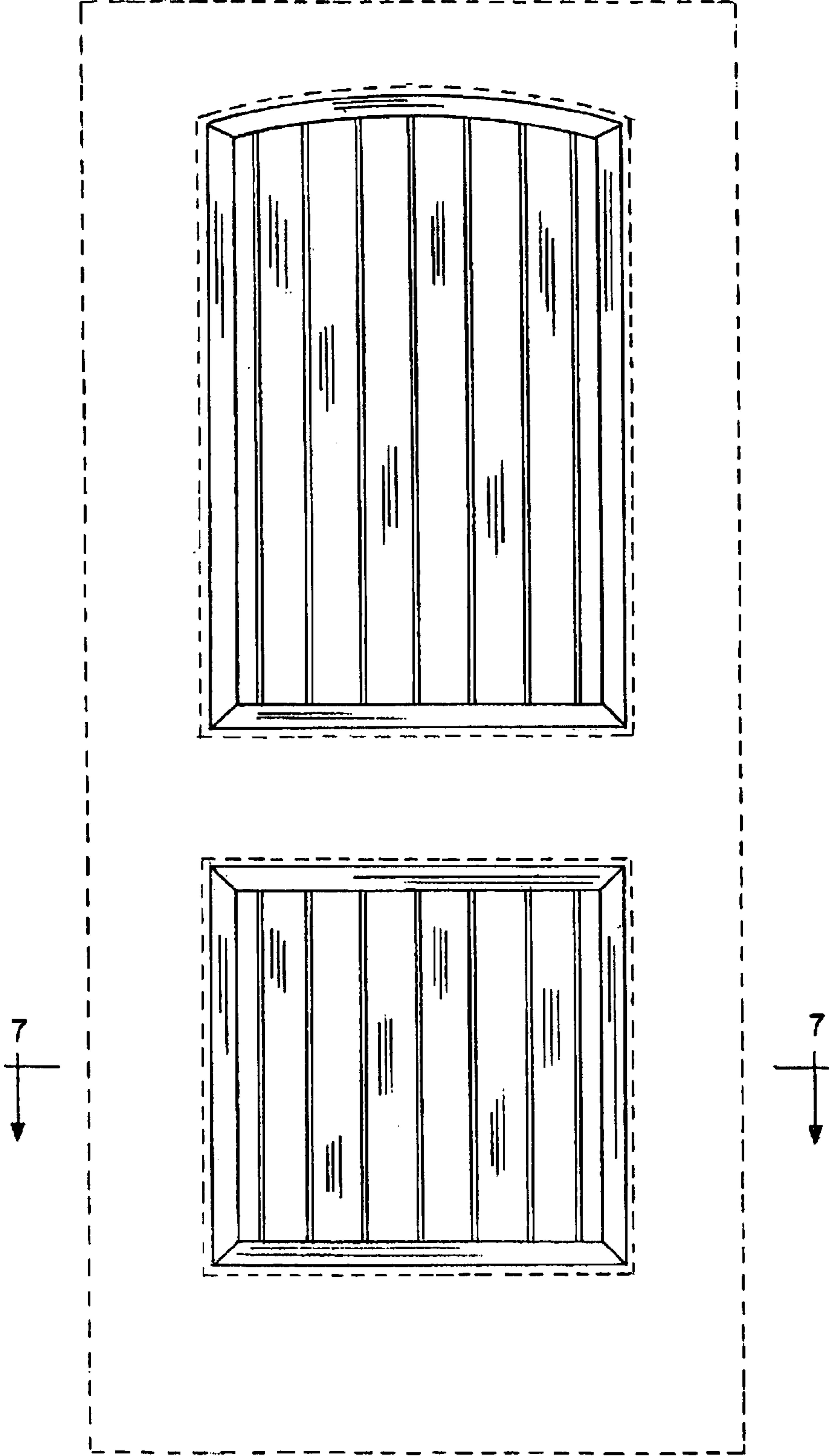


FIG. 1

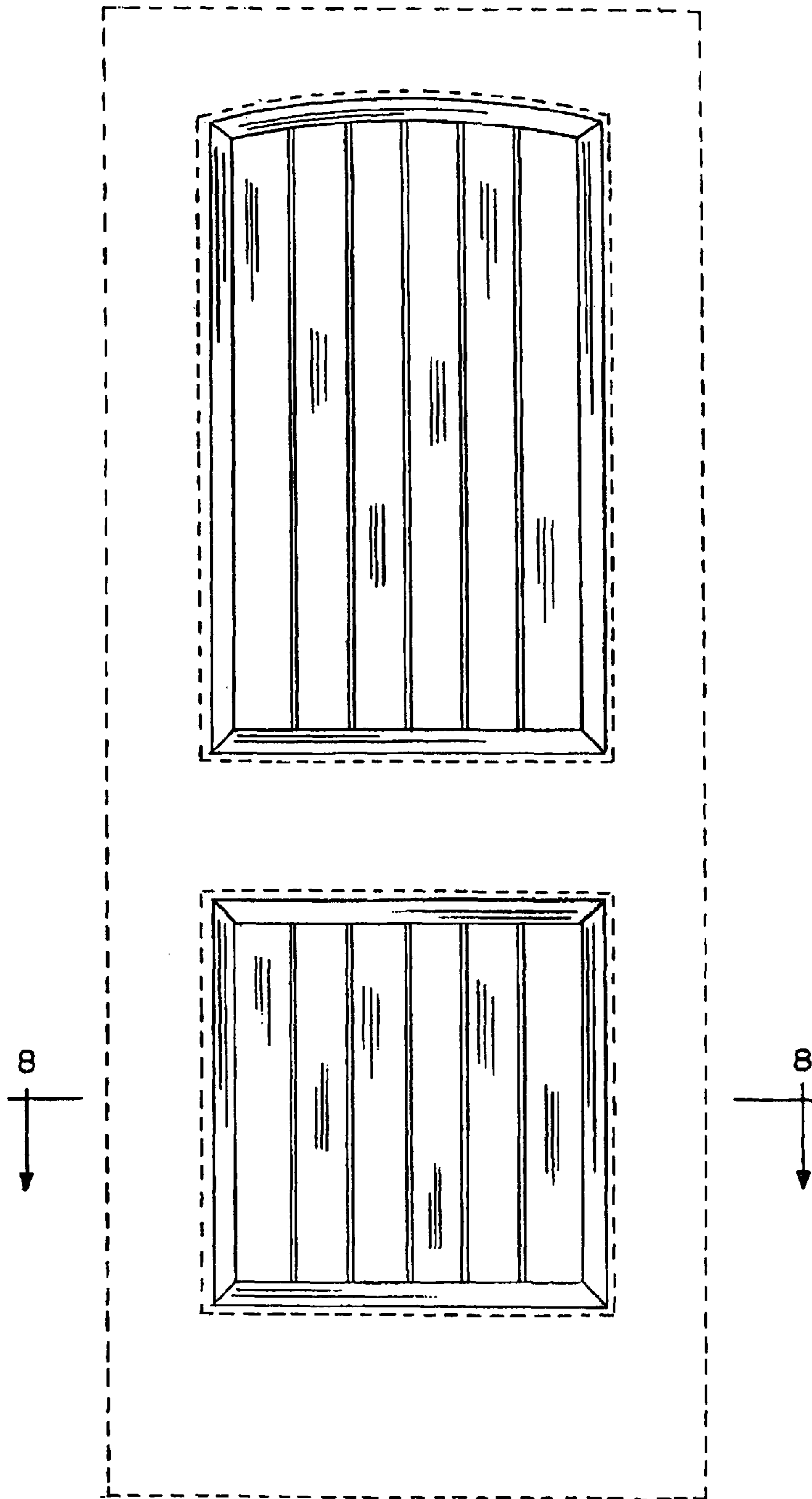


FIG. 2

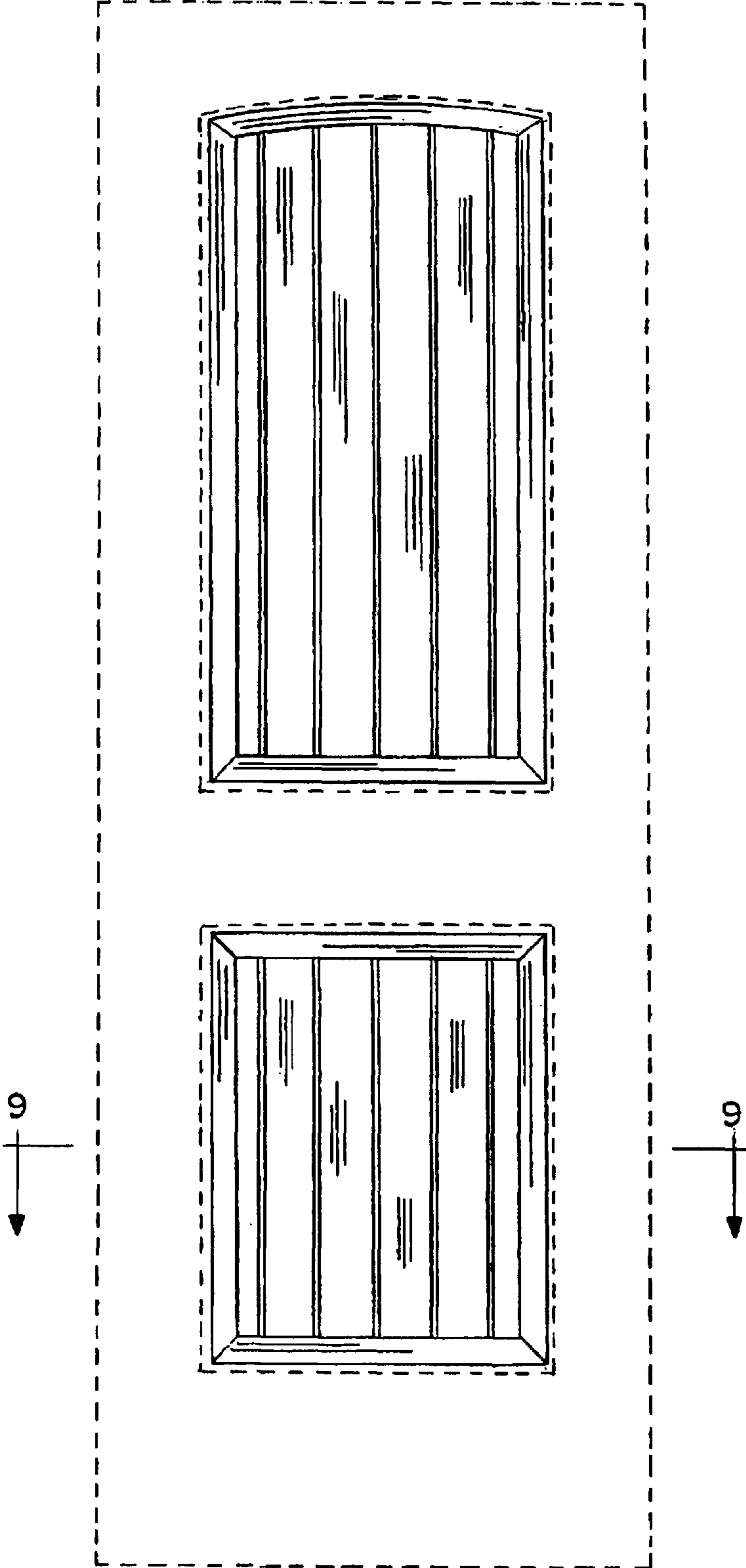


FIG. 3



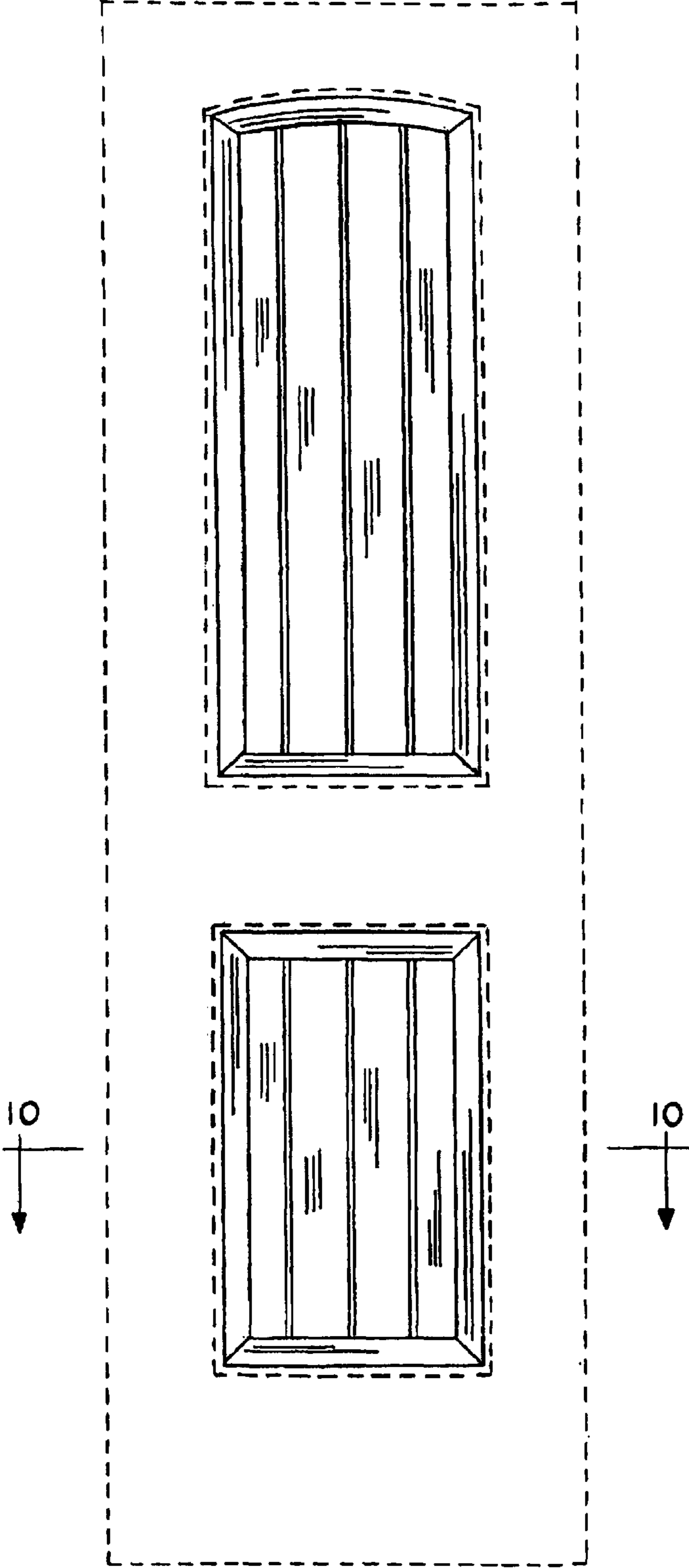


FIG. 4

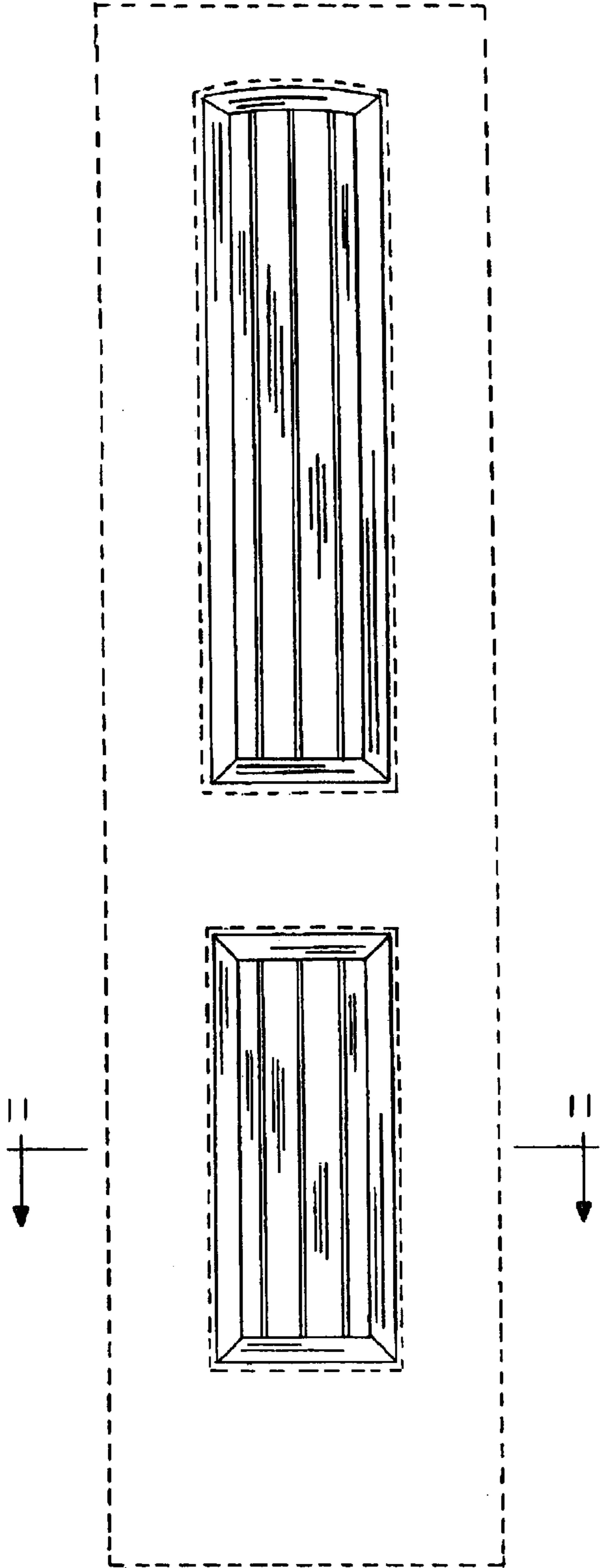


FIG. 5

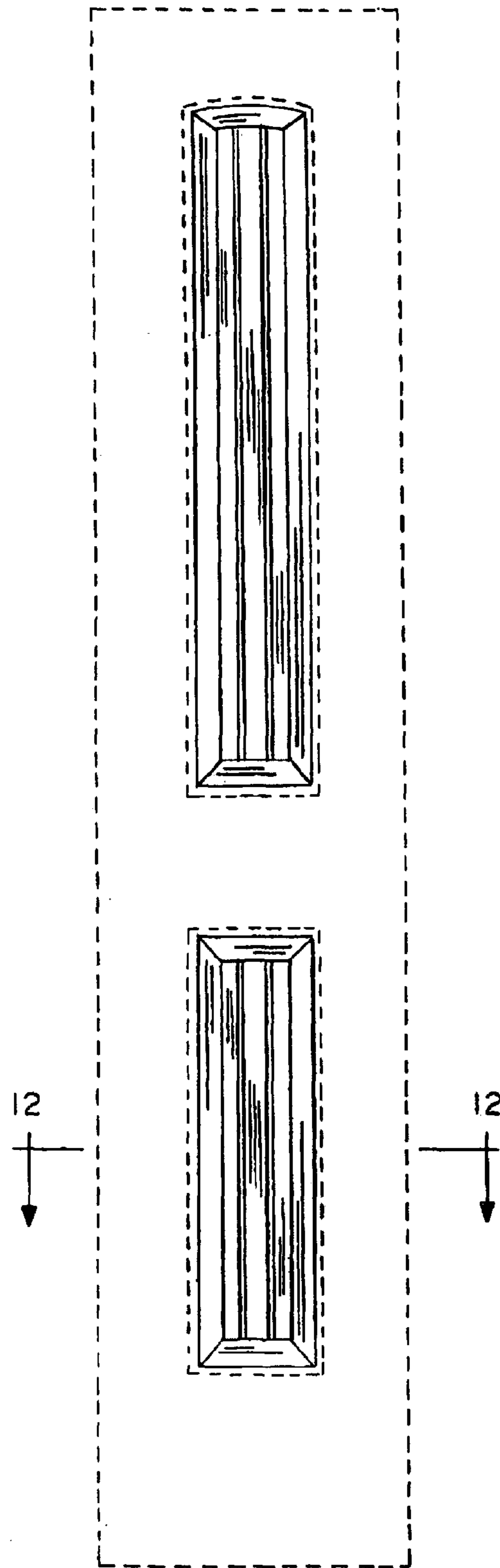


FIG. 6





FIG. 7



FIG. 8



FIG. 9



FIG. 10



FIG. 11



FIG. 12

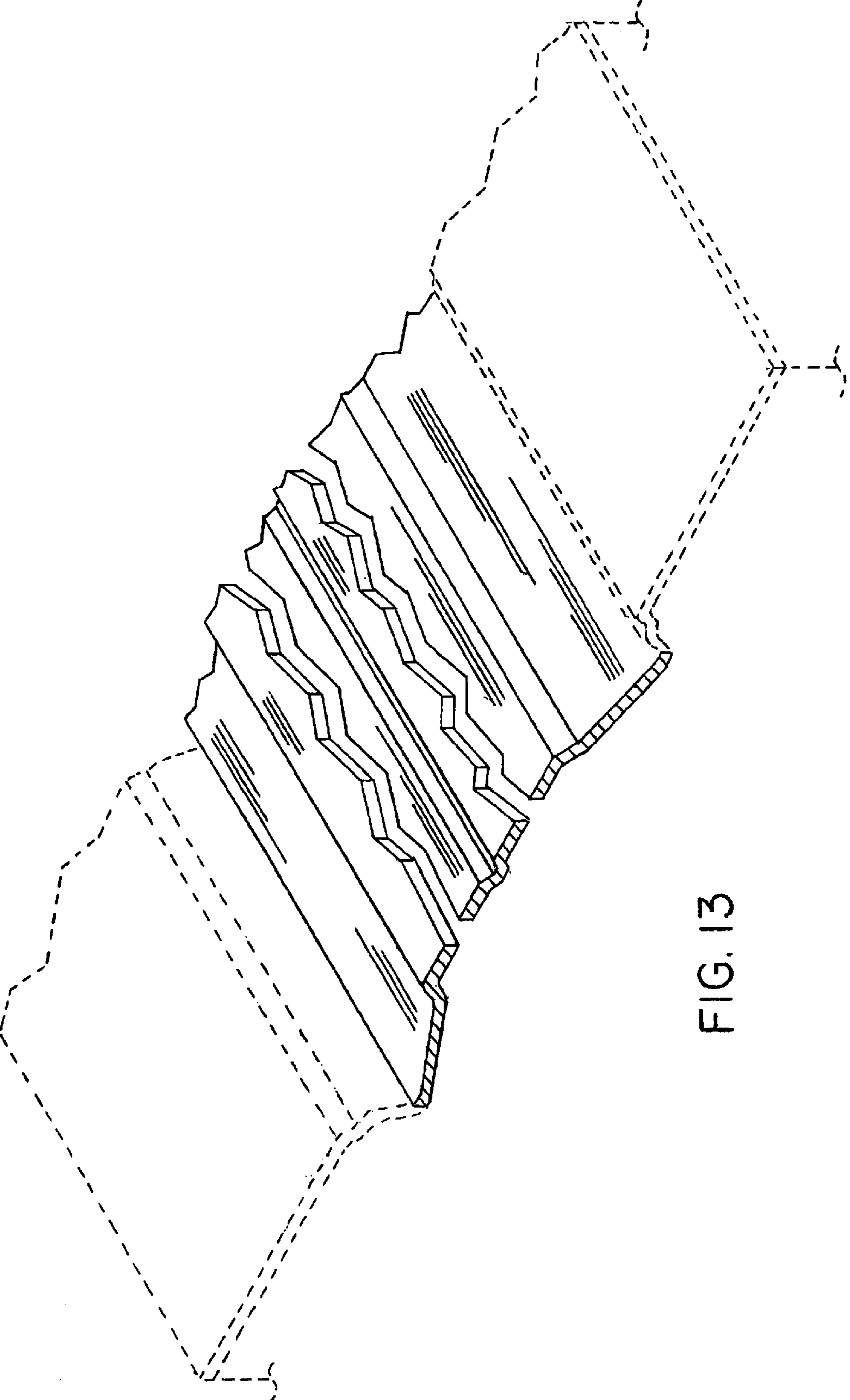


FIG. 13