

US00D501930S

(12) **United States Design Patent** (10) **Patent No.:** **US D501,930 S**
Shin (45) **Date of Patent:** **** Feb. 15, 2005**

(54) **STERILIZER FOR TOOTHBRUSH**

(75) Inventor: **Choong-Sik Shin**, Seoul (KR)

(73) Assignee: **Esencia Co., Ltd.**, Seoul (KR)

(**) Term: **14 Years**

(21) Appl. No.: **29/197,173**

(22) Filed: **Jan. 13, 2004**

(51) **LOC (7) Cl.** **24-01**

(52) **U.S. Cl.** **D24/217**

(58) **Field of Search** D24/217, 232;
D6/528, 534; 422/24, 300, 297, 26, 28,
299, 305, 292, 27; 250/491.1, 455.11; 206/362,
369, 209.1, 210, 363, 368, 370

(56) **References Cited**

U.S. PATENT DOCUMENTS

D379,519 S *	5/1997	Carter	D24/217
5,629,527 A *	5/1997	Levitt et al.	250/455.11
D413,986 S *	9/1999	Lin	D24/217
2003/0034459 A1 *	2/2003	Bonin	250/491.1
2004/0089815 A1 *	5/2004	Woo	250/455.11

* cited by examiner

Primary Examiner—Ian Simmons

(74) *Attorney, Agent, or Firm*—Piper Rudnick LLP

(57) **CLAIM**

The ornamental design for a sterilizer for toothbrush, as shown and described.

DESCRIPTION

The claimed sterilizer for toothbrush will be intended to use in the sanitary goods field. The sterilizer for toothbrush is made from synthetic resin with biological ceramic materials; The sterilizer for toothbrush has a refined appearance and a simple structure making the whole surface of its curved; it has the structure that toothbrushes can be placed inside.

FIG. 1 is a front perspective view of a portable sterilizer for toothbrush showing my new design;

FIG. 2 is a front elevational view thereof;

FIG. 3 is a rear view thereof;

FIG. 4 is a left side elevational view thereof;

FIG. 5 is a right side elevational view thereof;

FIG. 6 is a top plan view thereof; and,

FIG. 7 is a bottom plan view thereof.

1 Claim, 7 Drawing Sheets

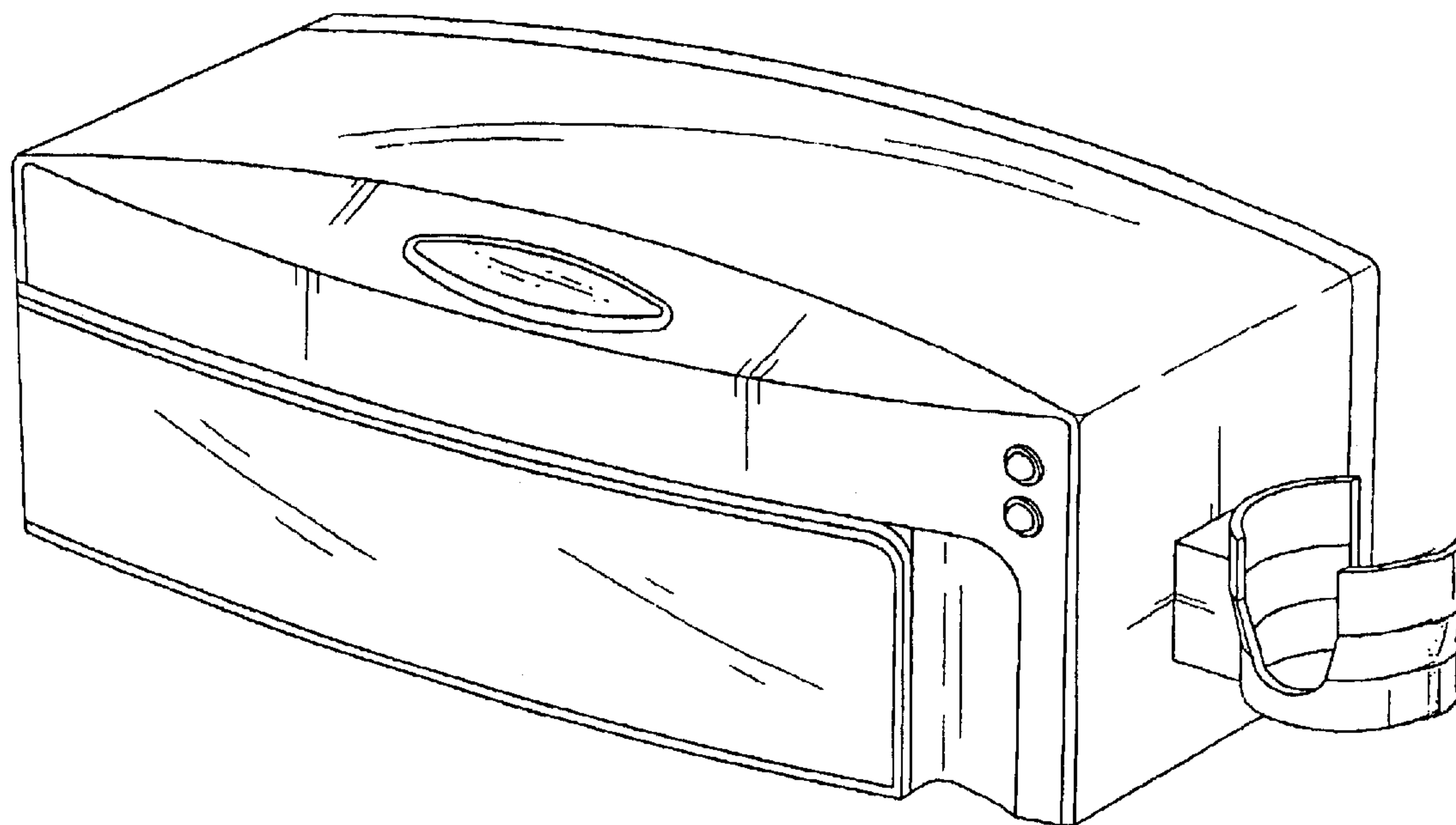


FIG. 1

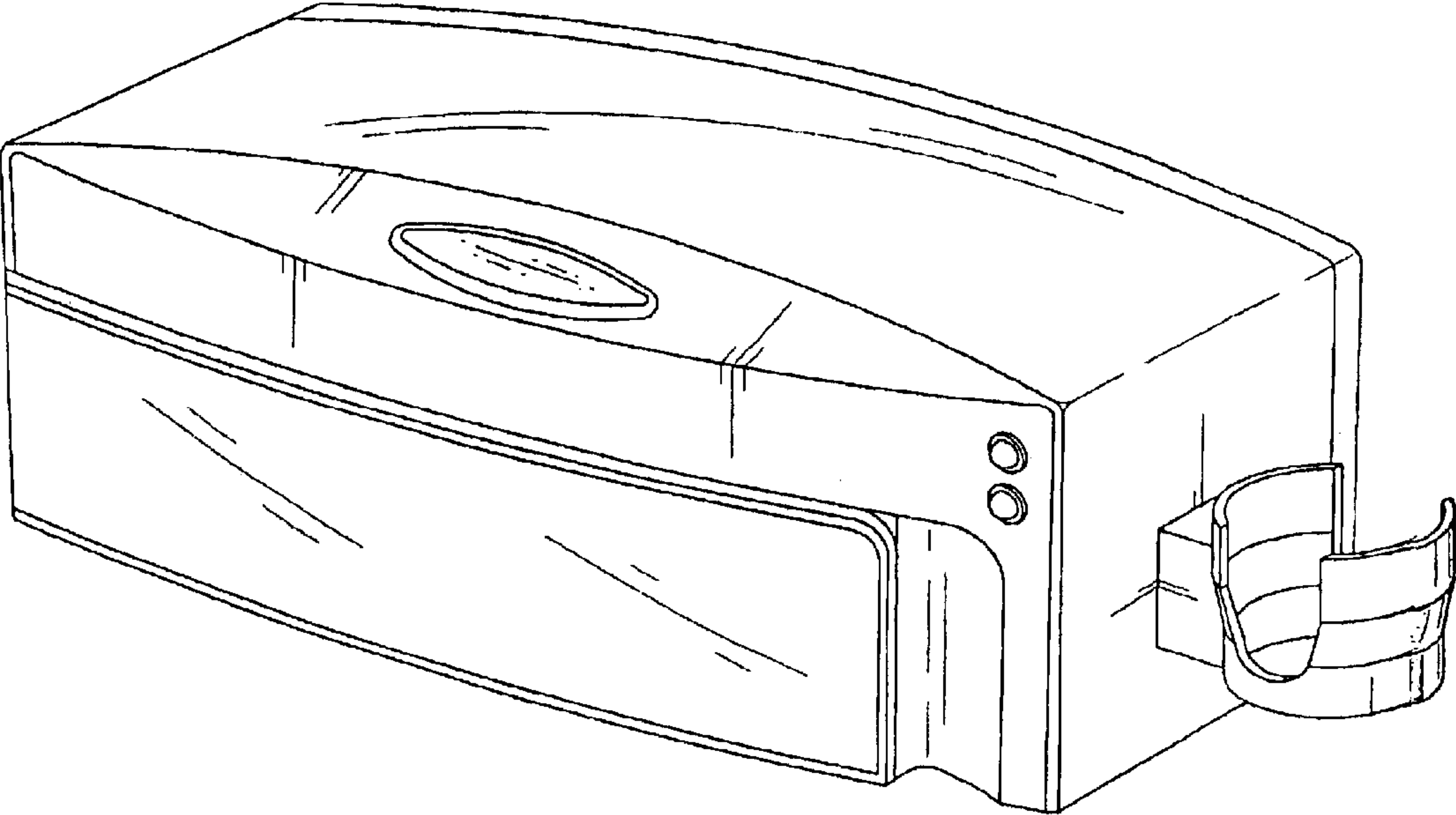


FIG. 2

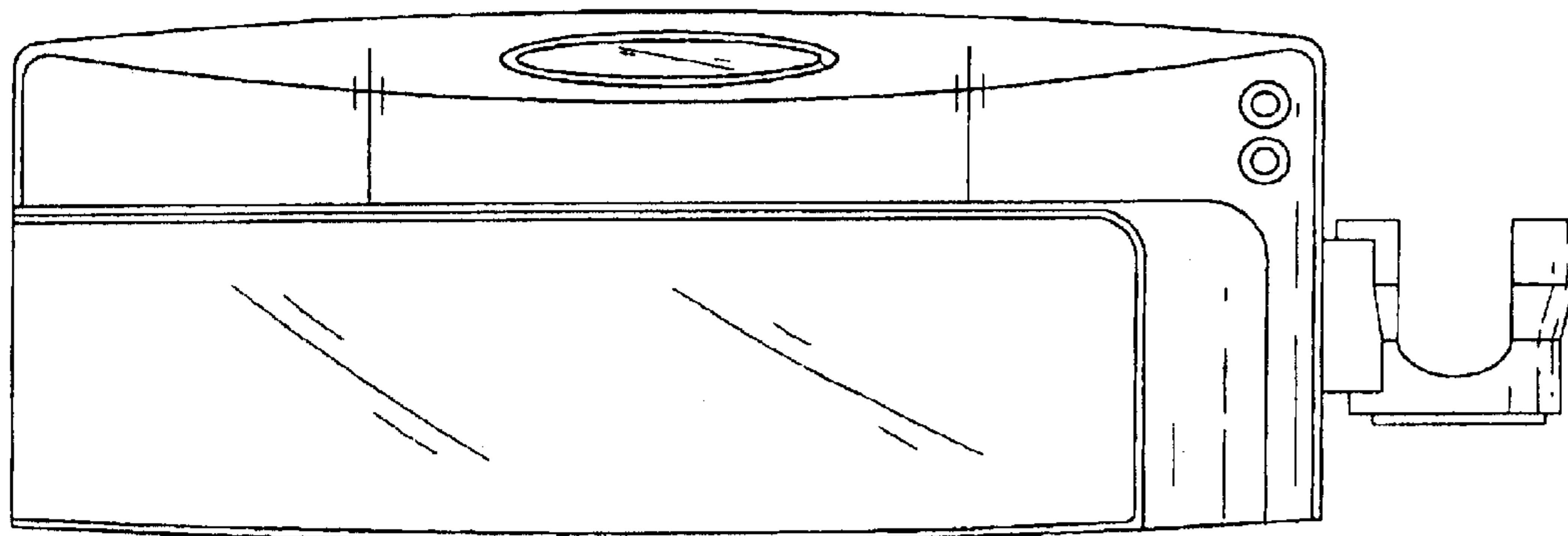


FIG. 3

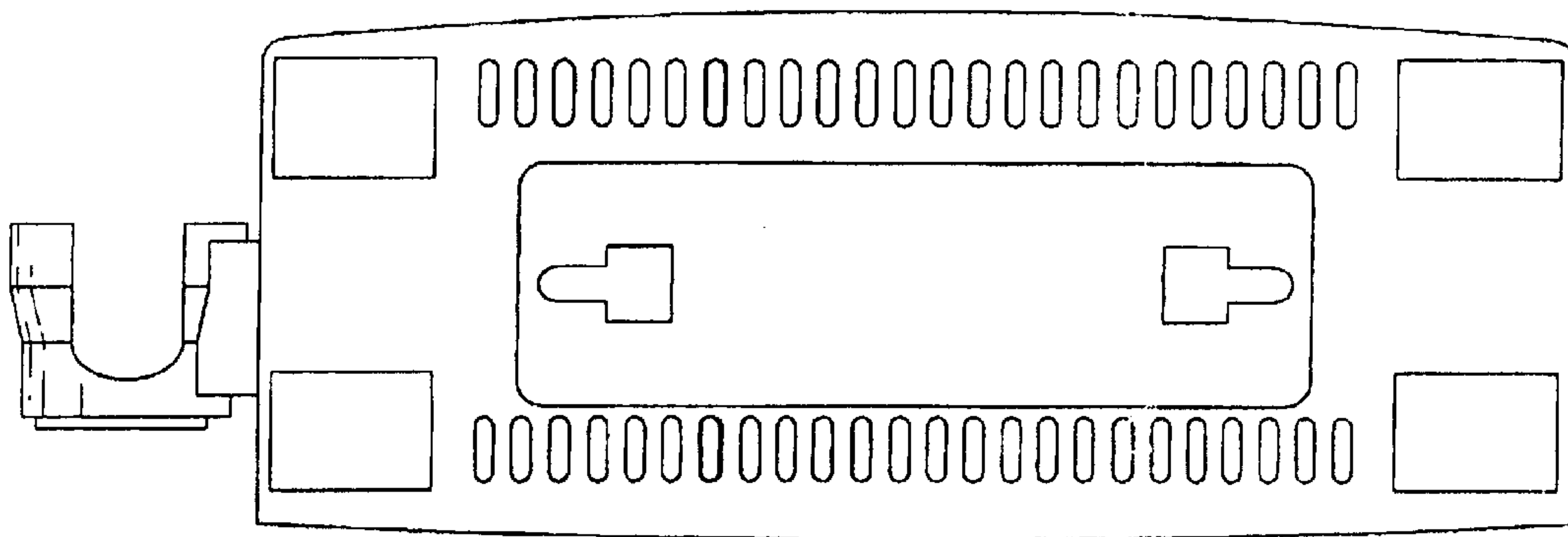


FIG. 4

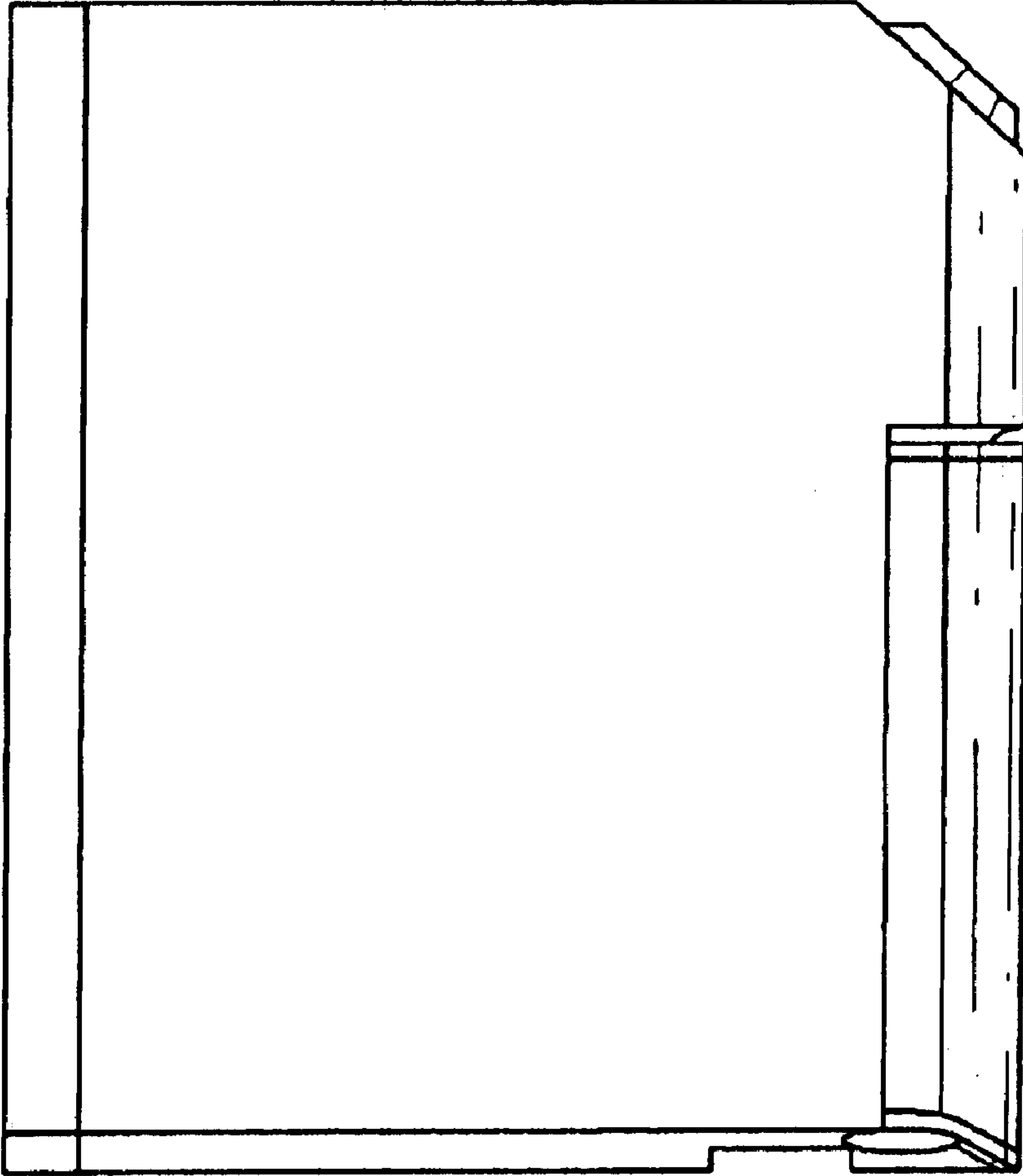


FIG. 5

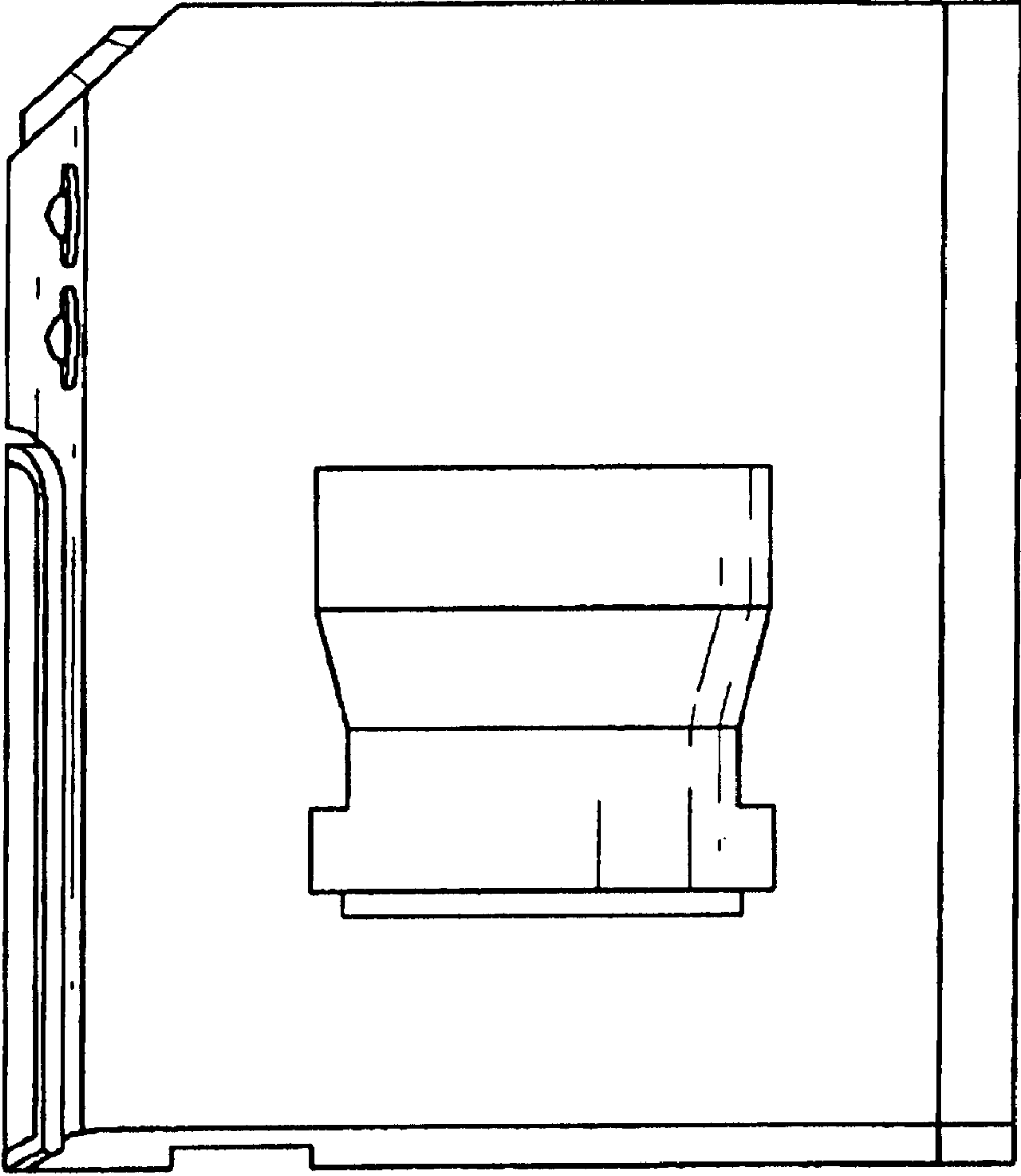


FIG. 6

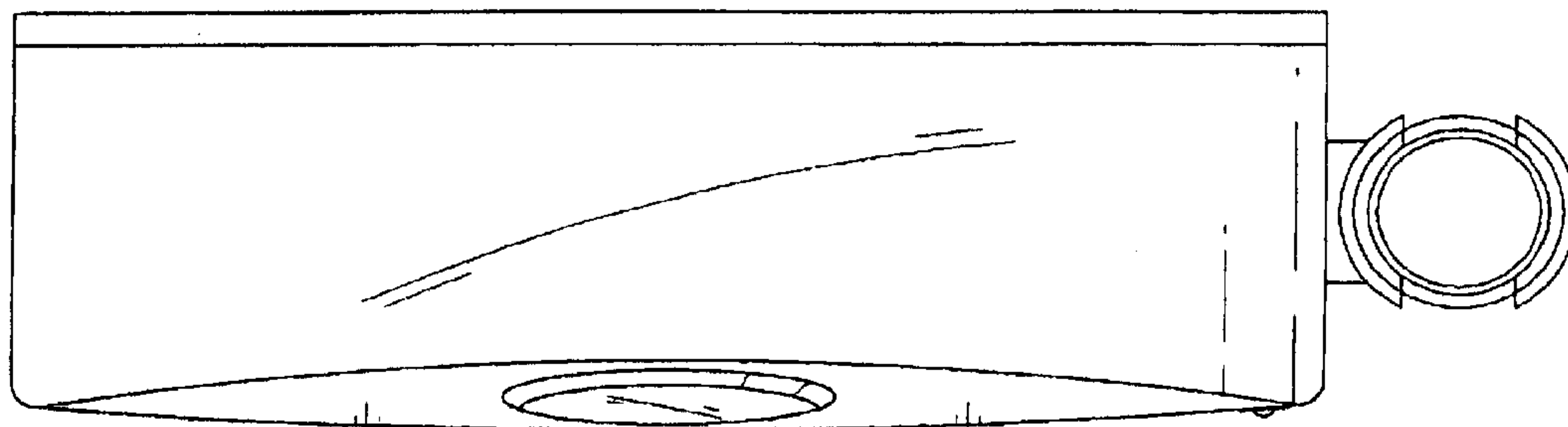


FIG. 7

