

US00D501924S

(12) **United States Design Patent**
Cise et al.

(10) **Patent No.:** **US D501,924 S**
(45) **Date of Patent:** **** Feb. 15, 2005**

(54) **ENTERAL FEEDING PUMP CASSETTE**

(75) Inventors: **David Cise**, Herriman, UT (US); **David J. McNally**, Salt Lake City, UT (US); **Kent Beck**, Layton, UT (US); **Scott D. Miles**, Sandy, UT (US)

(73) Assignee: **Zevex, Inc.**, Salt Lake City, UT (US)

(**) Term: **14 Years**

(21) Appl. No.: **29/178,223**

(22) Filed: **Mar. 21, 2003**

Related U.S. Application Data

(63) Continuation-in-part of application No. 29/168,959, filed on Oct. 10, 2002.

(51) **LOC (7) Cl.** **24-02**

(52) **U.S. Cl.** **D24/111**

(58) **Field of Search** D24/111, 129; 604/131, 246, 154, 153, 249, 151, 67; 128/DIG. 12; 417/477.1, 477.2, 477.4, 477.5, 477.14

(56) **References Cited**

U.S. PATENT DOCUMENTS

4,950,245 A 8/1990 Brown et al.
D319,312 S 8/1991 Schneider
D357,312 S 4/1995 Riquier et al.
5,482,446 A 1/1996 Williamson et al.

D374,718 S 10/1996 Dodge et al.
D455,489 S * 4/2002 Beck et al. D24/111
6,659,976 B2 * 12/2003 Beck et al. 604/67

* cited by examiner

Primary Examiner—Ian Simmons

(74) *Attorney, Agent, or Firm*—Bateman IP Law Group

(57) **CLAIM**

The ornamental design for an enteral feeding pump cassette, as shown and described.

DESCRIPTION

FIG. 1 shows a perspective view of a enteral feeding pump cassette made in accordance with the design of the present invention;

FIG. 2 shows a bottom perspective view of the enteral feeding pump cassette of FIG. 1;

FIG. 3 shows a top view of the enteral feeding pump cassette of FIG. 1;

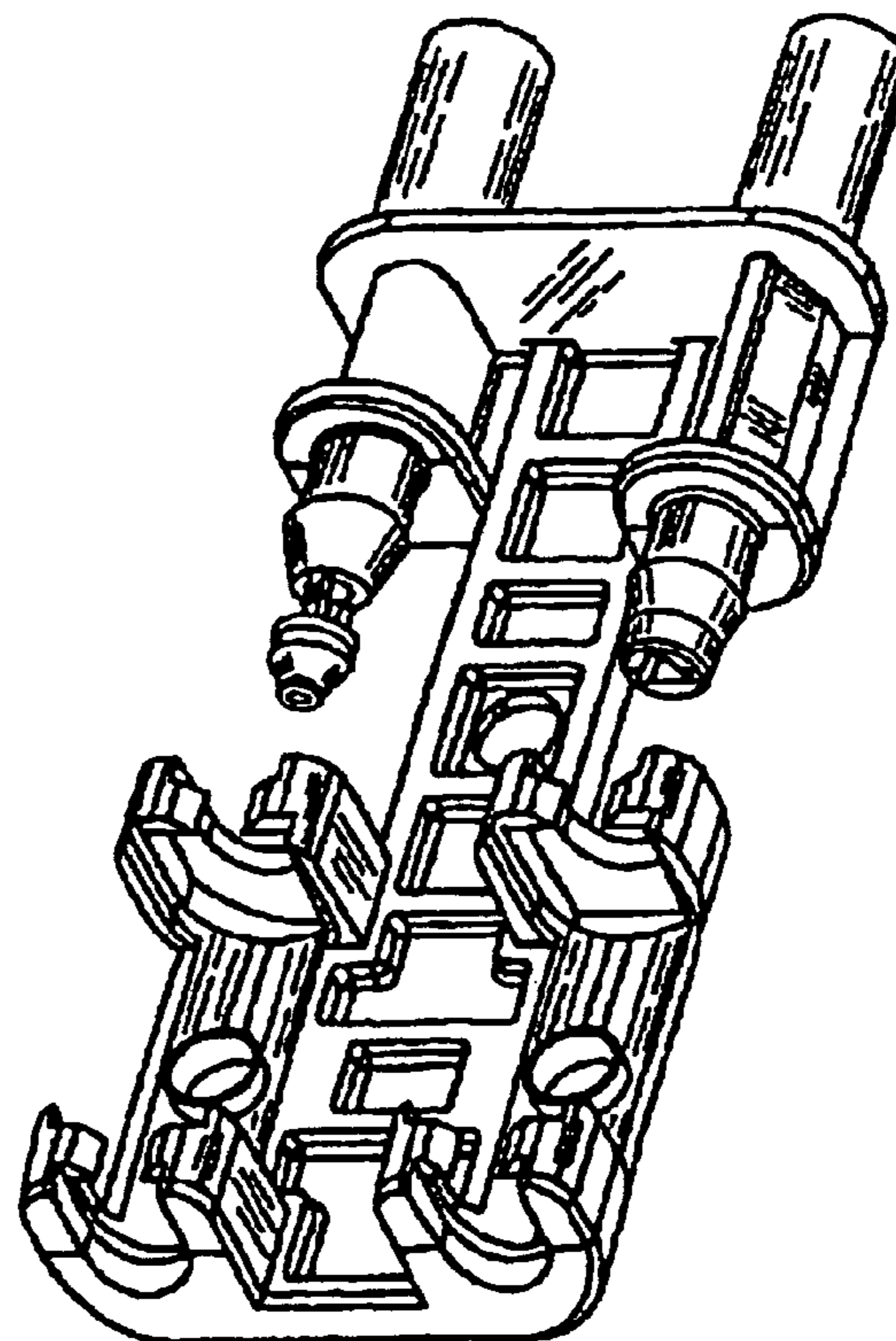
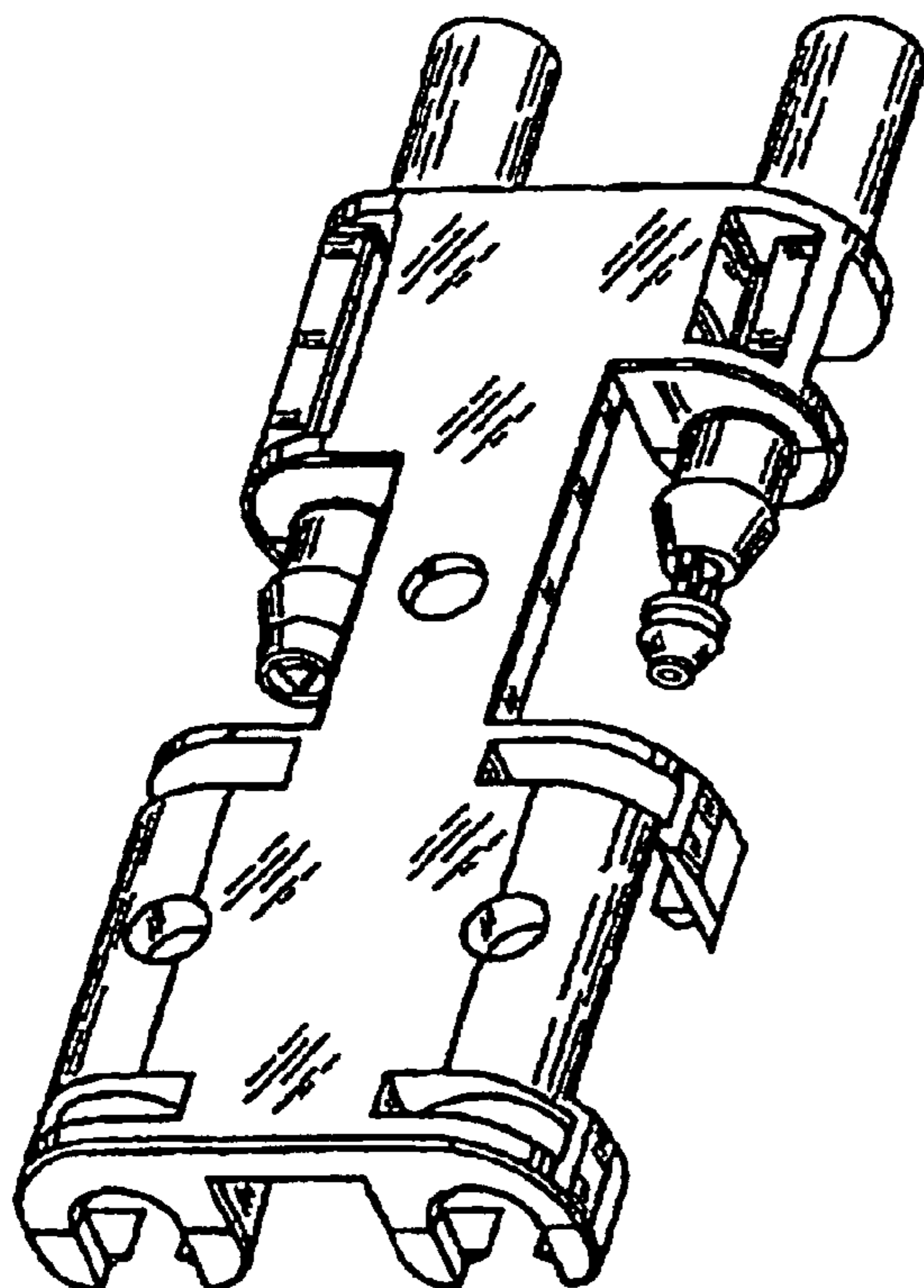
FIG. 4 shows a right side view of the enteral feeding pump cassette of FIG. 1;

FIG. 5 shows a left side view of the enteral feeding pump cassette of FIG. 1;

FIG. 6 shows an end view of the enteral feeding pump cassette of FIG. 1; and,

FIG. 7 shows an opposing end of the enteral feeding pump cassette of FIG. 1.

1 Claim, 2 Drawing Sheets



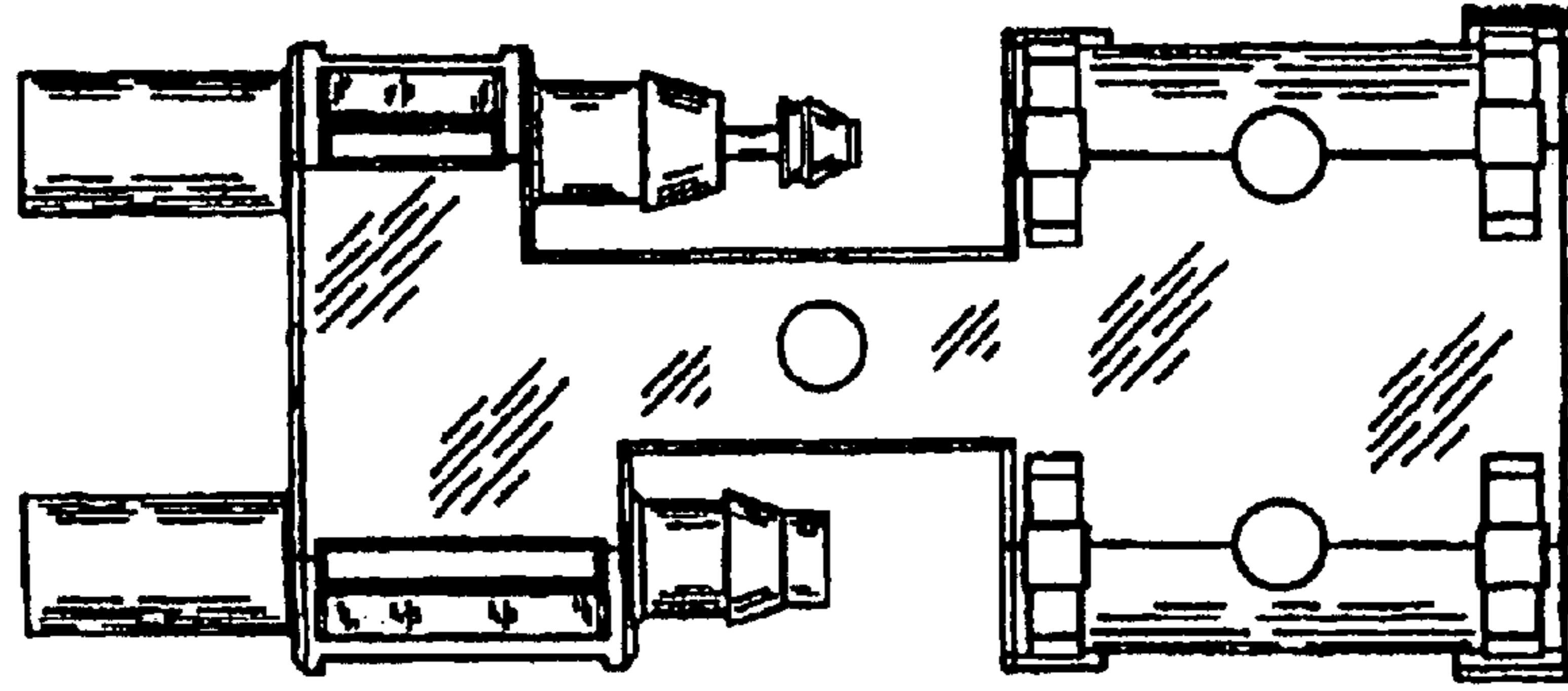


FIG. 3

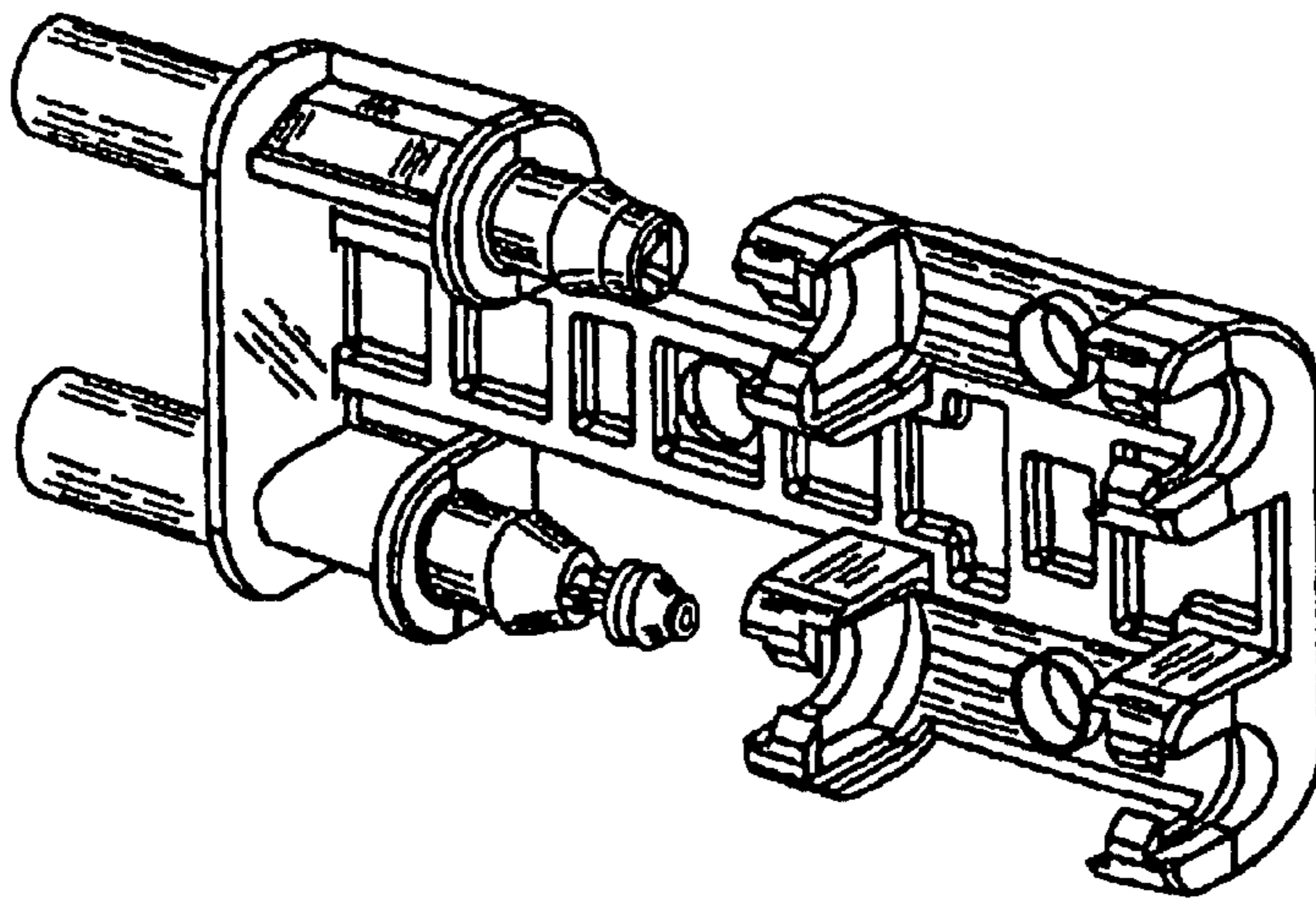


FIG. 2

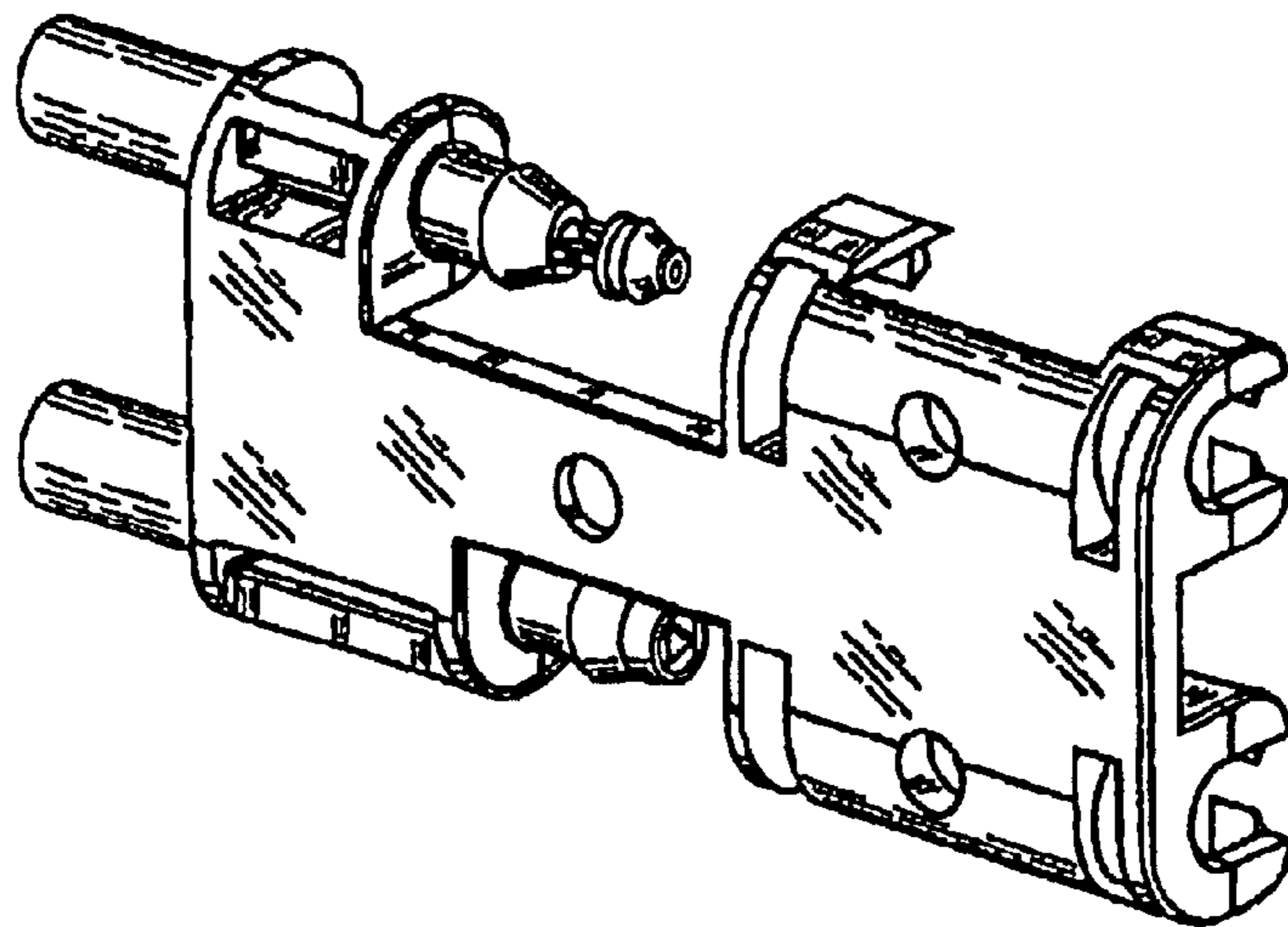


FIG. 1

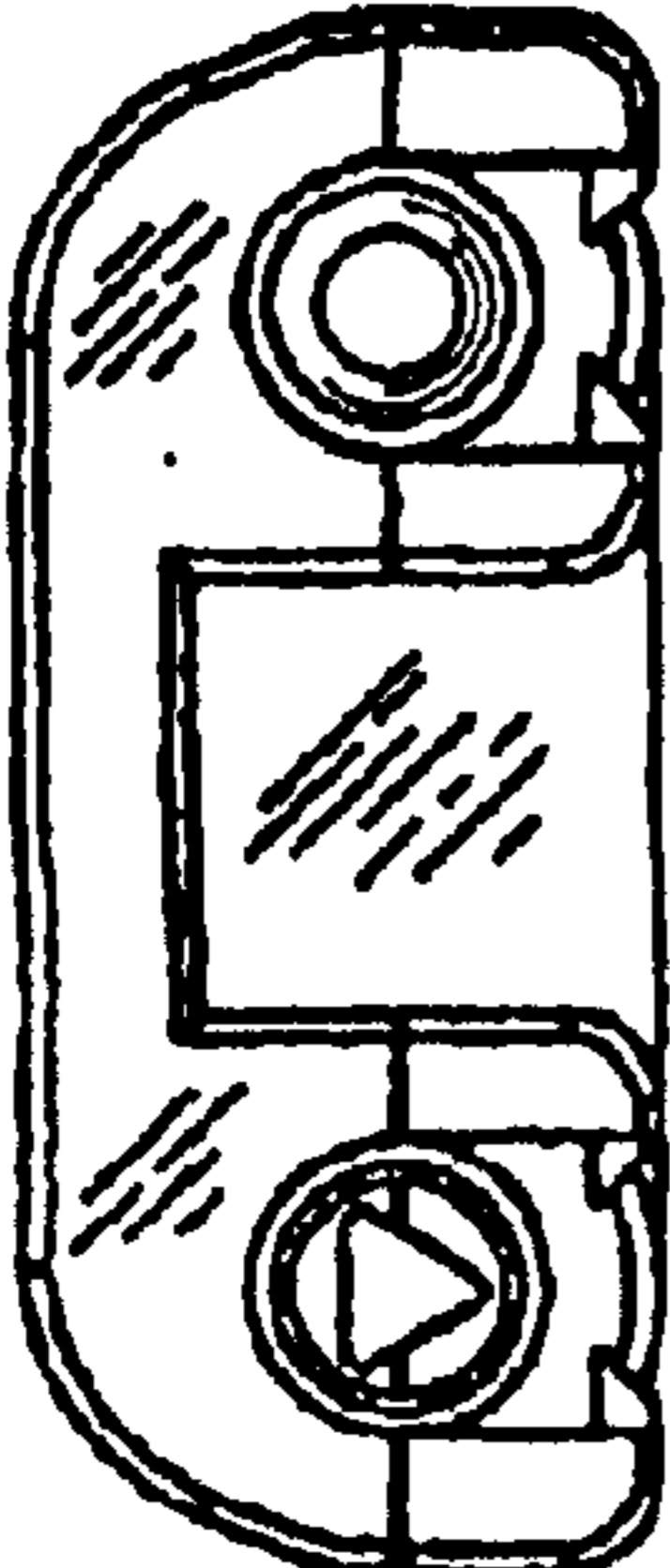


FIG. 6

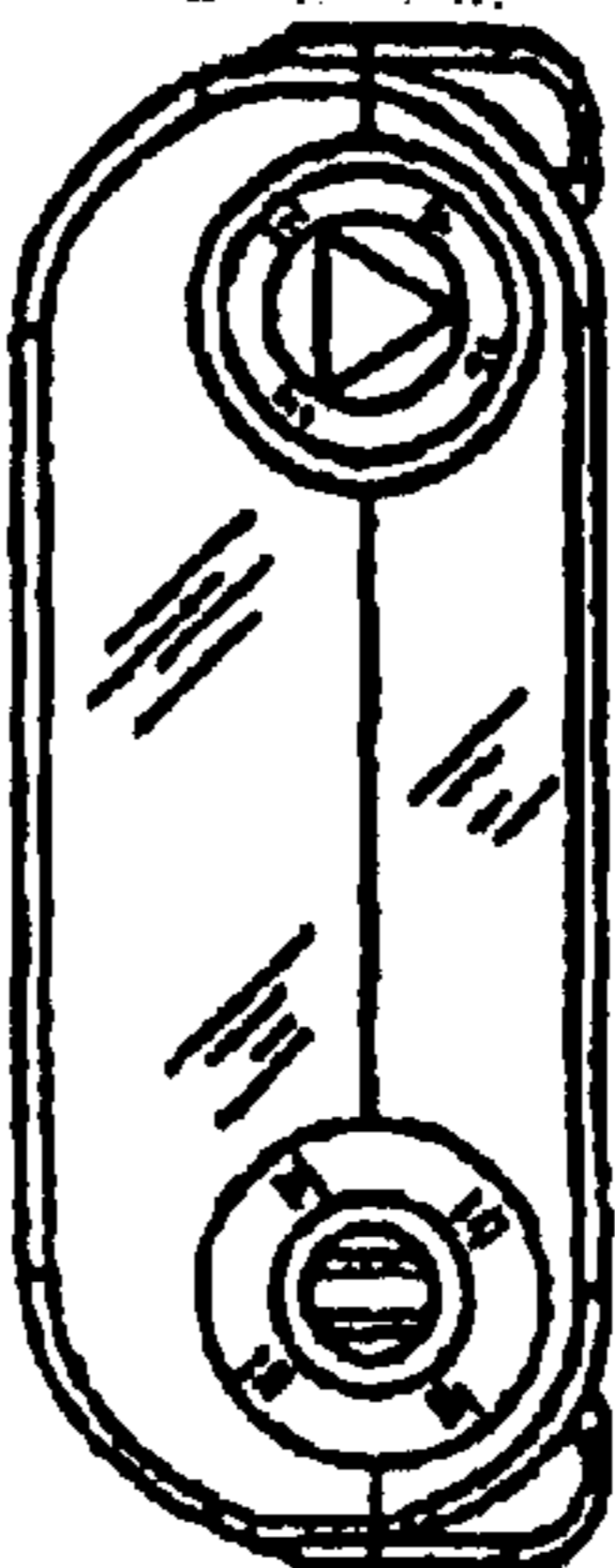


FIG. 7

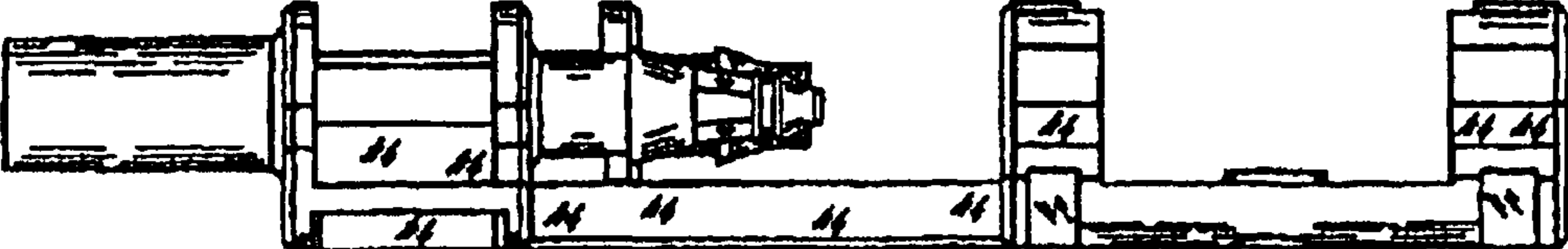


FIG. 5

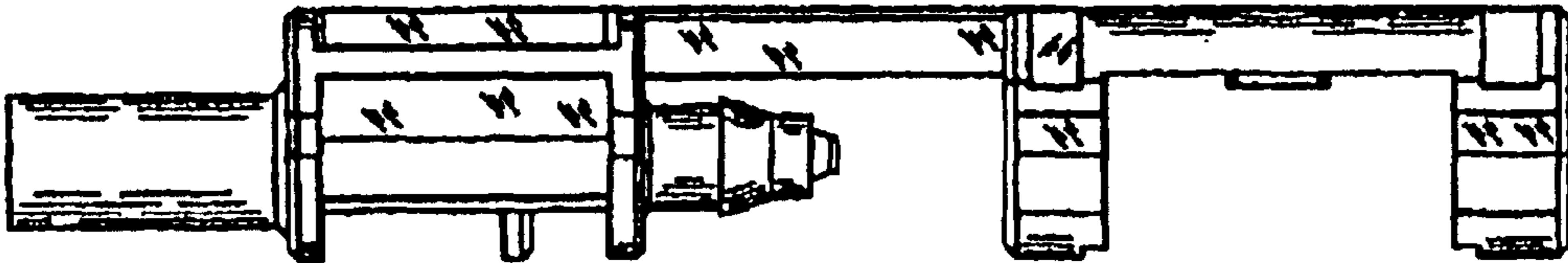


FIG. 4