



US00D501923S

(12) **United States Design Patent**  
**Hidalgo**

(10) **Patent No.:** **US D501,923 S**

(45) **Date of Patent:** **\*\* Feb. 15, 2005**

(54) **CEILING FAN HOUSING**

(75) Inventor: **Rolando Hidalgo**, Orange, CA (US)

(73) Assignee: **Minka Lighting, Inc.**, Corona, CA (US)

(\*\*) Term: **14 Years**

(21) Appl. No.: **29/190,060**

(22) Filed: **Sep. 15, 2003**

(51) **LOC (7) Cl.** ..... **23-04**

(52) **U.S. Cl.** ..... **D23/413**

(58) **Field of Search** ..... D23/413, 411,  
D23/377, 379, 385; 416/5; 392/364

(56) **References Cited**

**U.S. PATENT DOCUMENTS**

D433,748 S	11/2000	Frampton	.....	D23/413
D437,047 S	1/2001	Frampton	.....	D23/413
D437,406 S	2/2001	Frampton	.....	D23/413
D454,634 S	3/2002	Frampton	.....	D23/413
D477,073 S	* 7/2003	Hsieh	.....	D23/413

**OTHER PUBLICATIONS**

Minka Aire Two Thousand Three; p. 46, Jan. 2003, Minka Lighting, Inc. USA.

Fanimation Ceiling Fan Internet Catalog; Tropicana, Model #FP 1620N0 printed from www.ceilingfan.com., Jul. 2, 2003, Fanimation.

Emerson Ceiling fan Internet Catalog; Maui Bay, printed from www.fanshack.com. Jul. 2, 2003, Emerson.

Hunter Ceiling Fan Internet Catalog; Caribbean Breeze; www.fanshack.com, Jul. 2, 2003, Hunter.

\* cited by examiner

*Primary Examiner*—Lisa Lichtenstein

(74) *Attorney, Agent, or Firm*—Jenkins & Gilchrist A Professional Corporation

(57) **CLAIM**

The ornamental design for a ceiling fan housing, as shown and described.

**DESCRIPTION**

FIG. 1 is a perspective view from below of a ceiling fan housing in accordance with my design, illustrating the environment of the invention;

FIG. 2 is enlarged perspective view from below of the ceiling fan housing in accordance with my design, illustrating the environment of the invention;

FIG. 3 is a bottom plan view of the ceiling fan housing in accordance with my design, illustrating the environment of the invention;

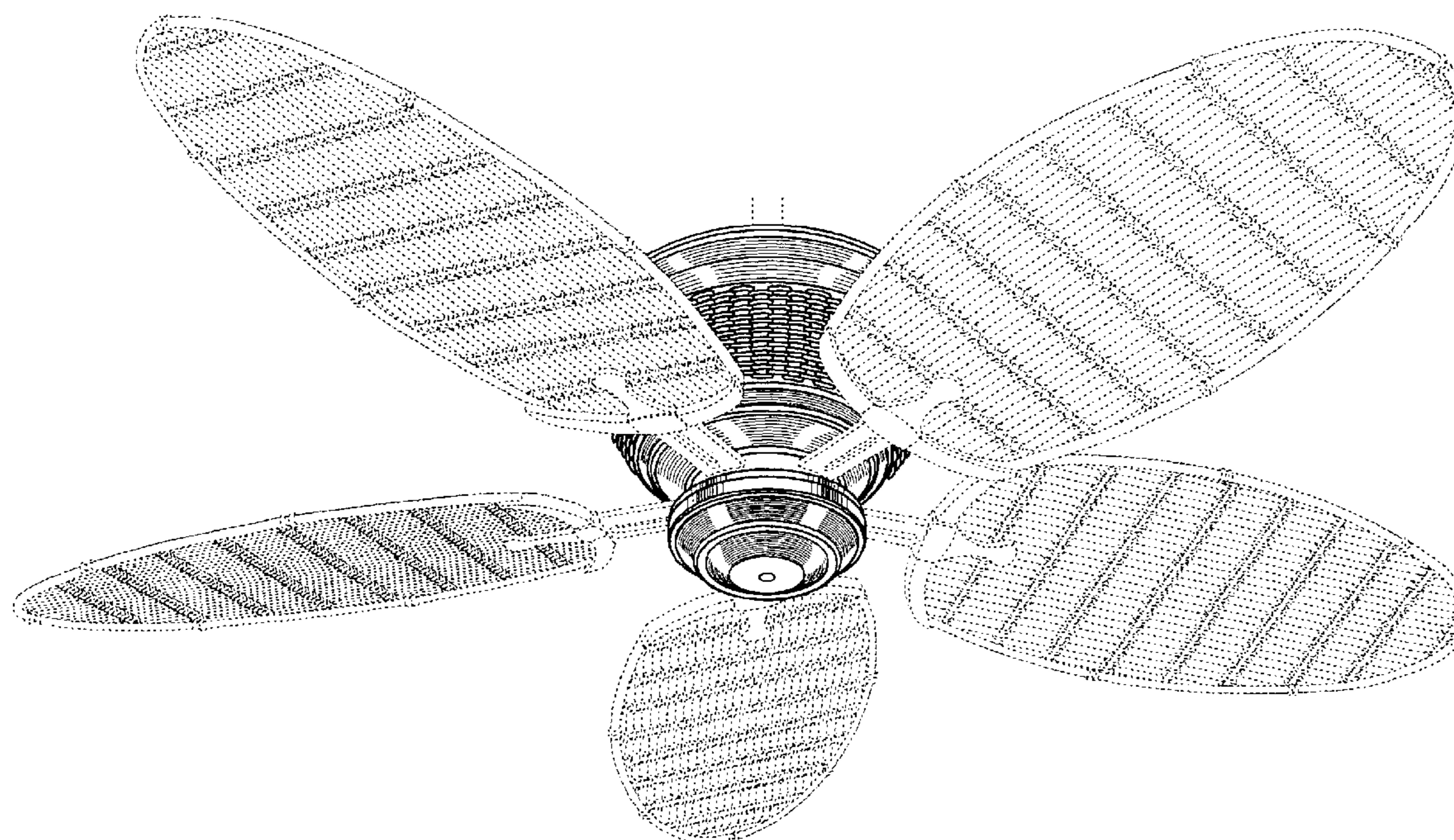
FIG. 4 is a top plan view of the ceiling fan housing in accordance with my design, illustrating the environment of the invention;

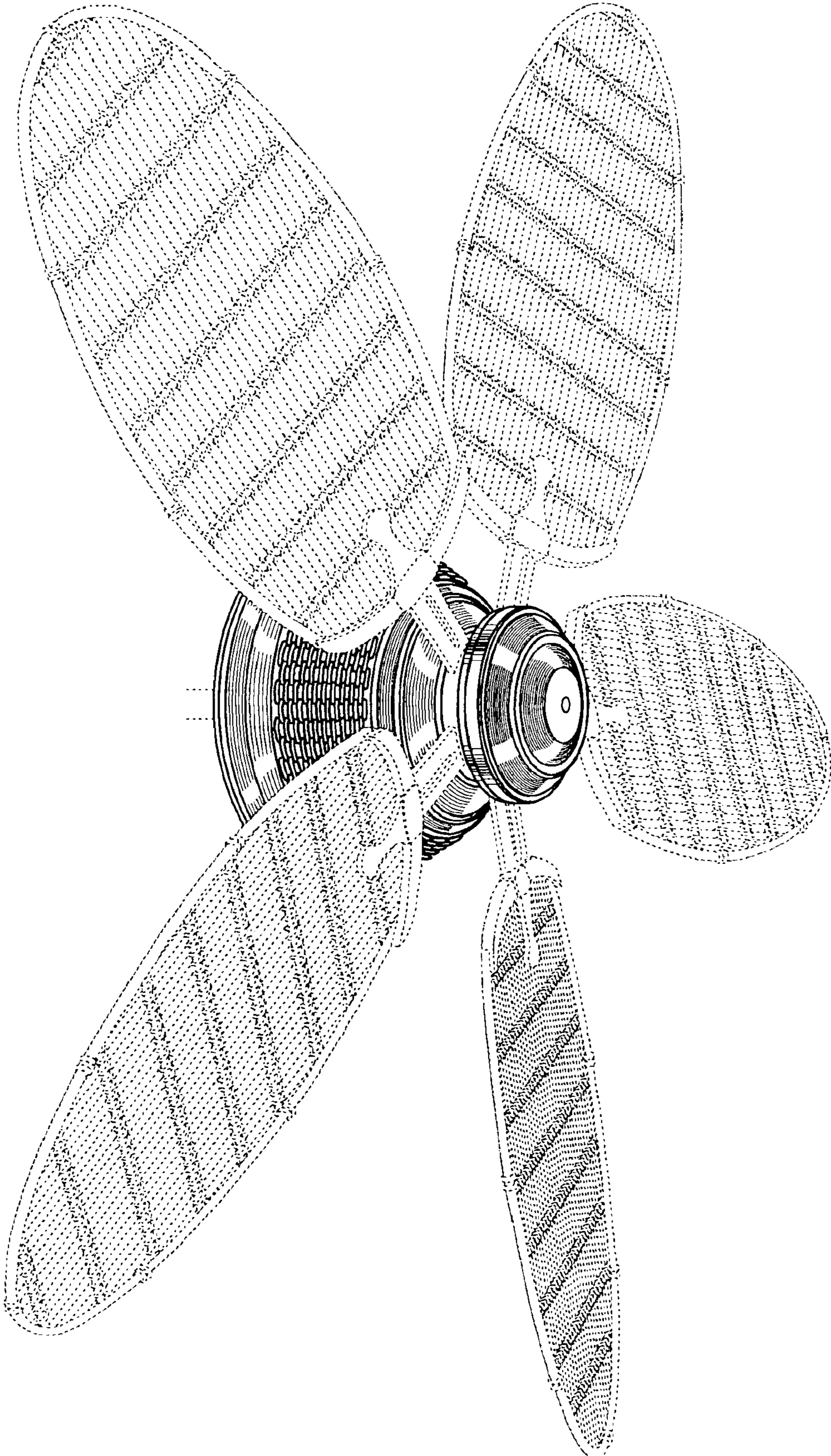
FIG. 5 is a front elevation view of the ceiling fan housing in accordance with my design, illustrating the environment of the invention; and,

FIG. 6 is a side elevation view of the ceiling fan housing in accordance with my design, illustrating the environment of the invention.

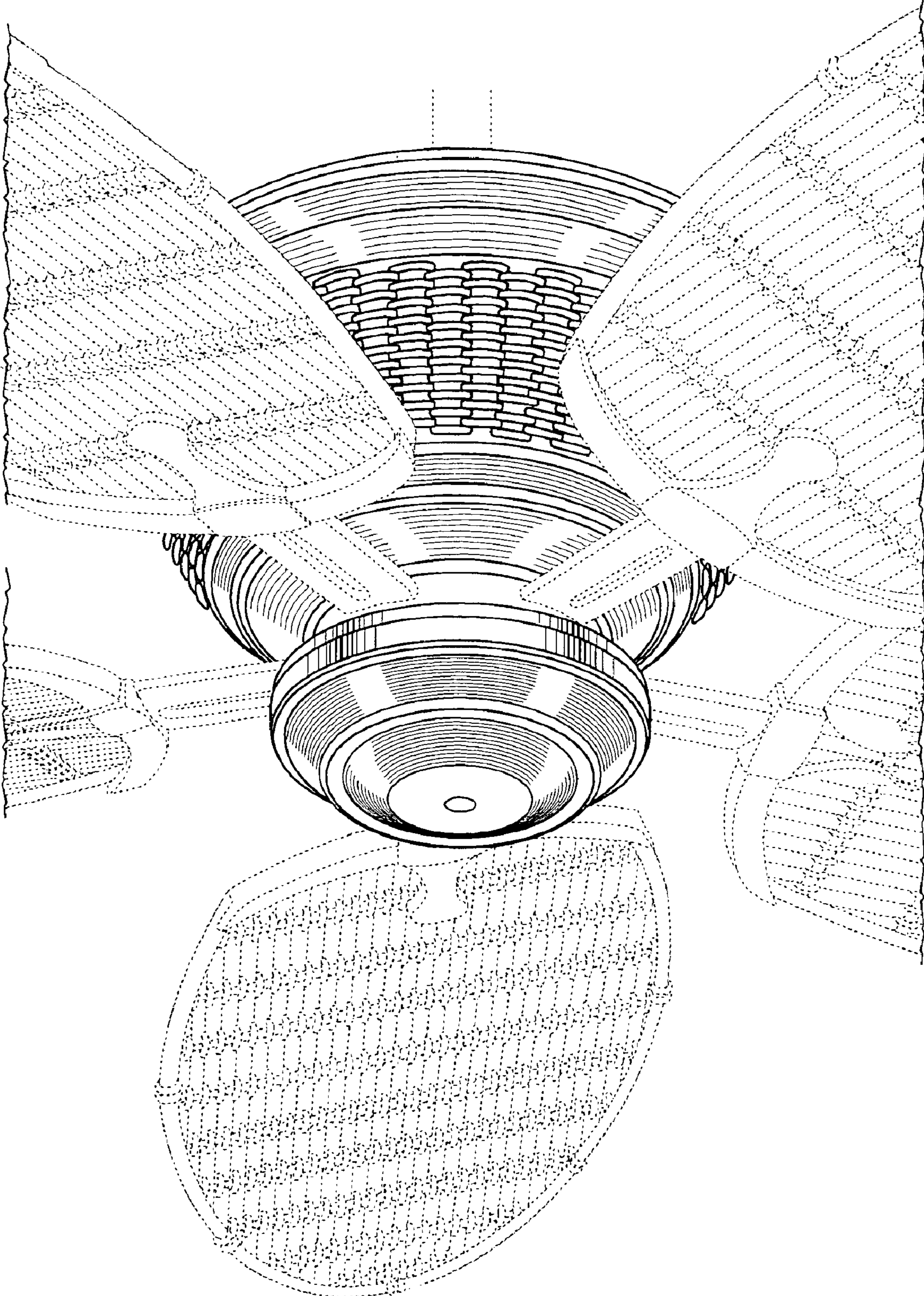
The broken lines showing environmental structure are for illustrative purposes and form no part of the claimed design.

**1 Claim, 6 Drawing Sheets**

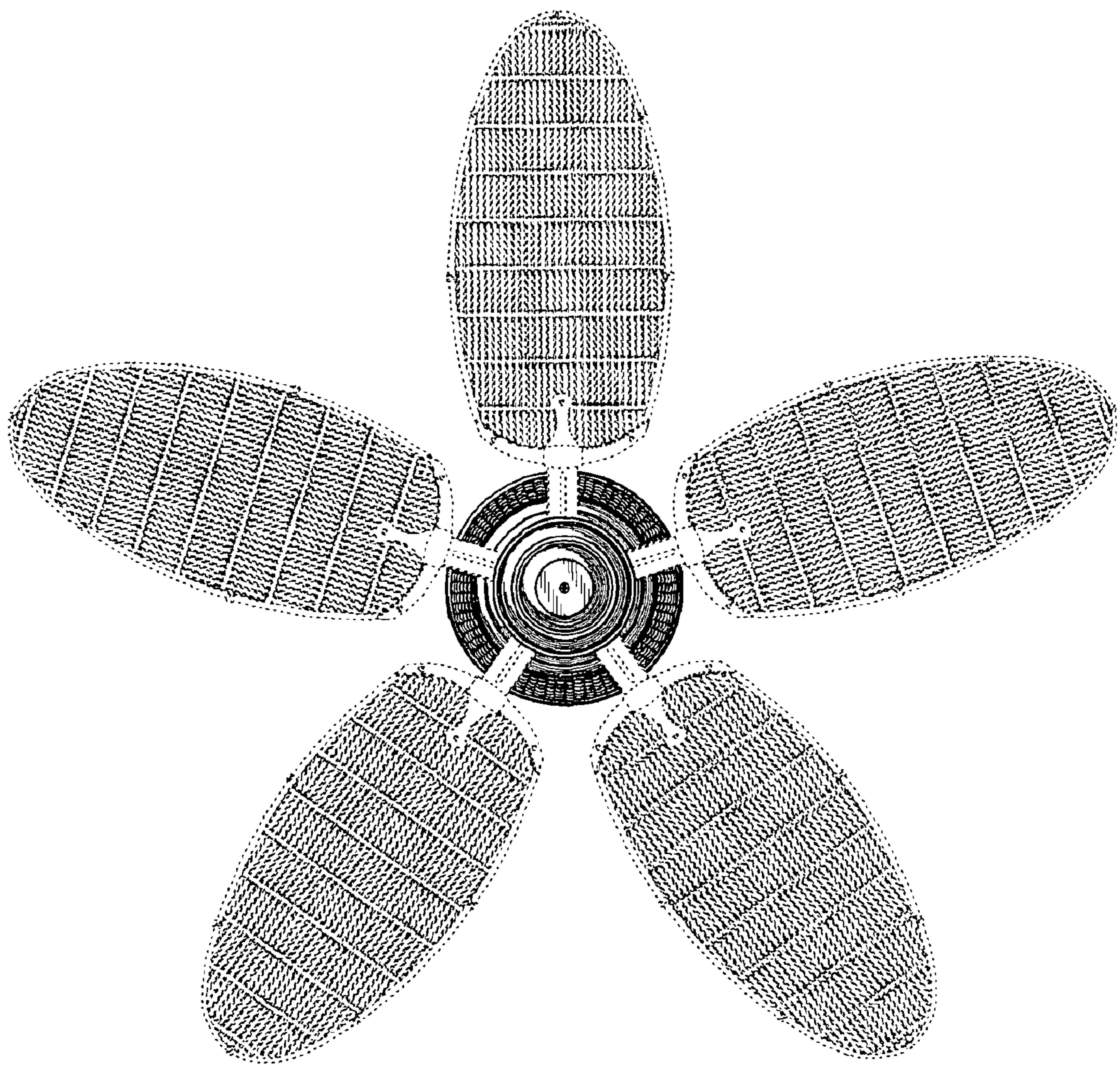




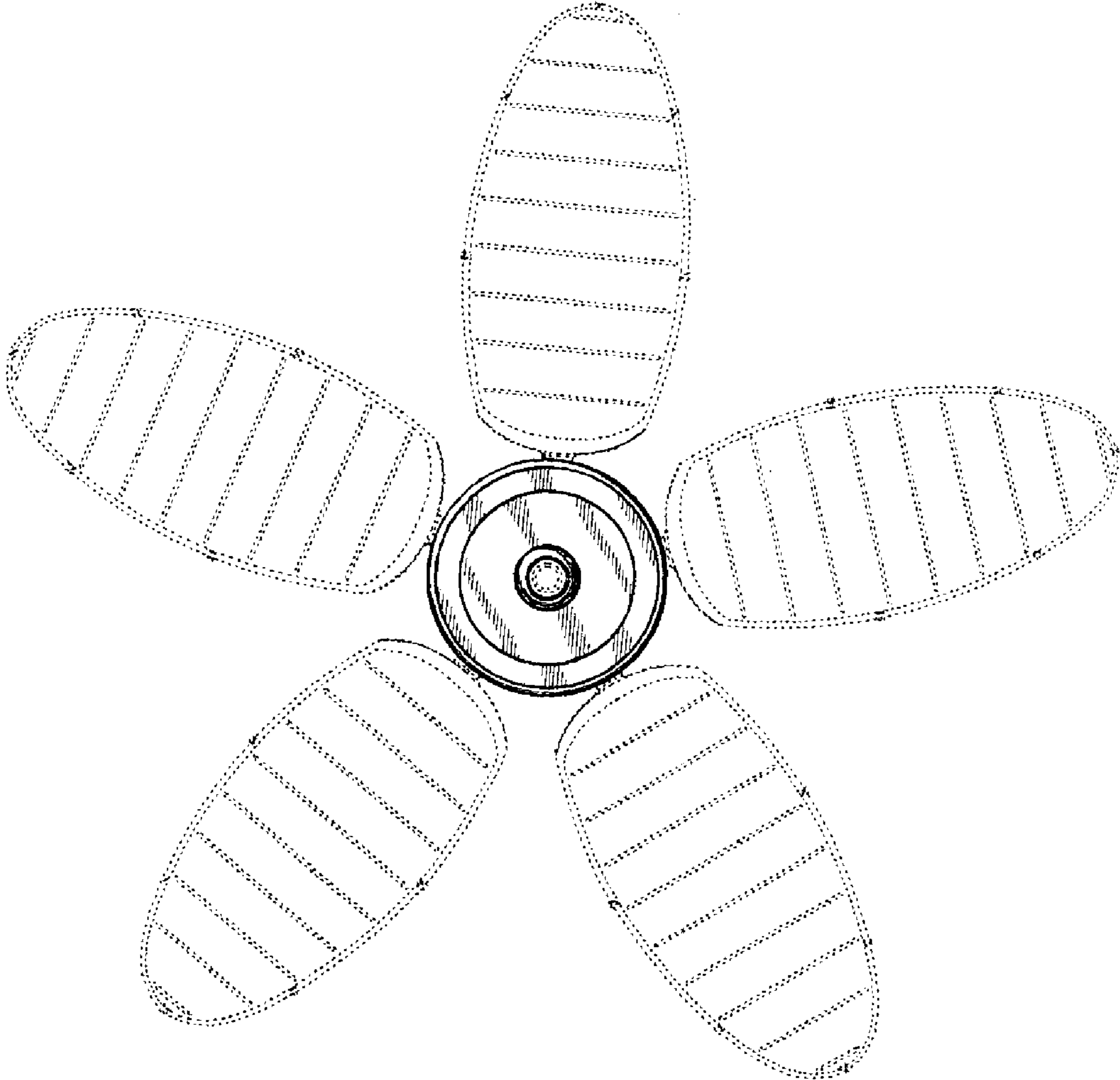
*Fig. 1*



*Fig.2*



*Fig.3*



*Fig.4*

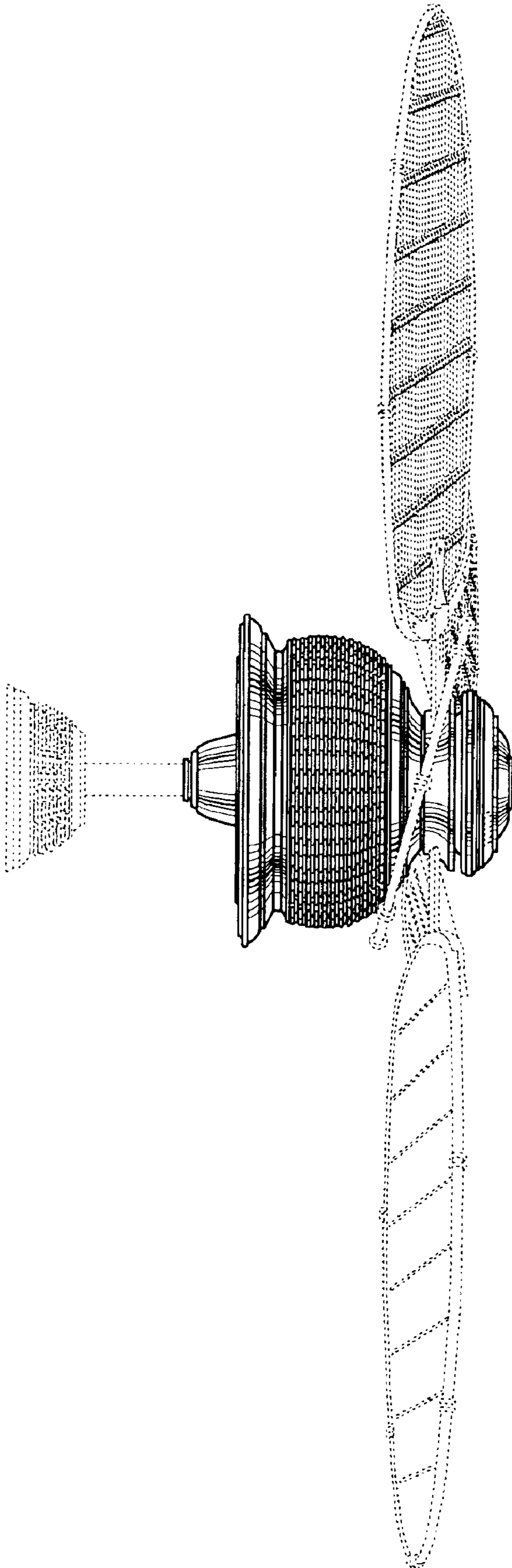


Fig.5

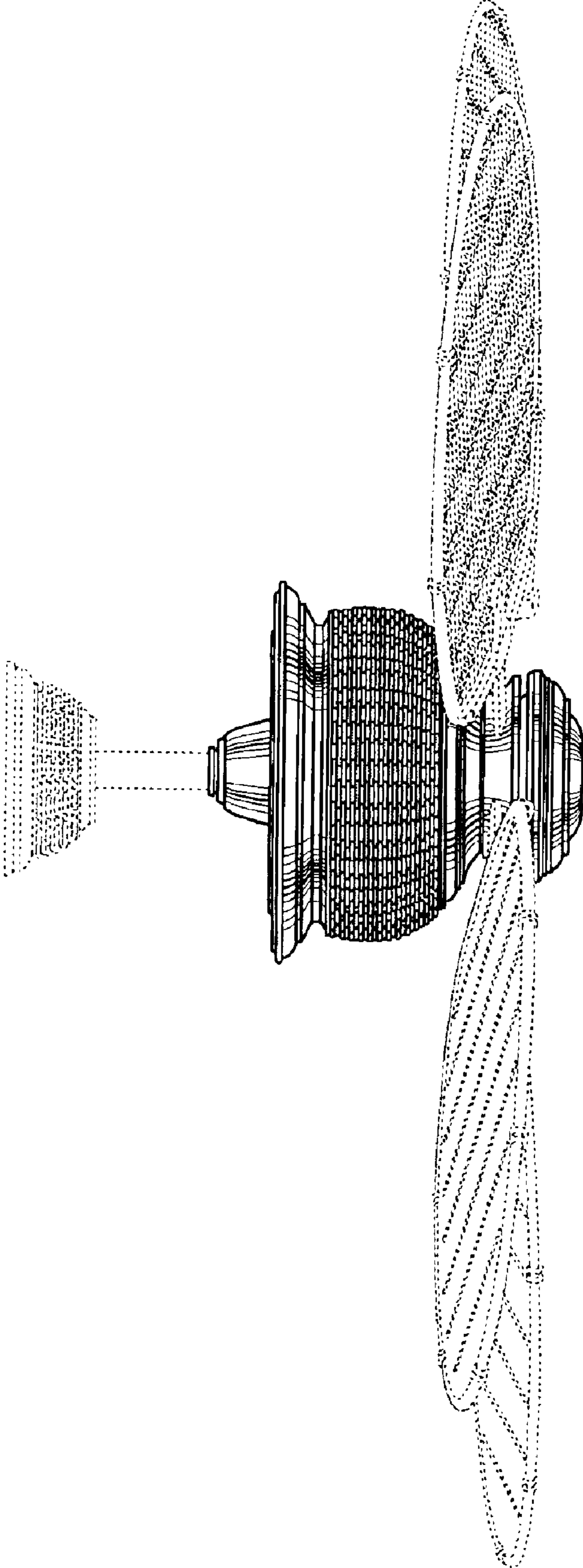


Fig. 6