



US00D501918S

(12) **United States Design Patent**  
**Scott**

(10) **Patent No.:** **US D501,918 S**  
(45) **Date of Patent:** **\*\* Feb. 15, 2005**

(54) **HEATER MODULE**

(75) **Inventor:** **Allen W. Scott**, Alto, MI (US)

(73) **Assignee:** **Bissell Homecare, Inc.**, Grand Rapids, MI (US)

(\*\*) **Term:** **14 Years**

(21) **Appl. No.:** **29/205,564**

(22) **Filed:** **May 17, 2004**

(51) **LOC (7) Cl.** ..... **23-02**

(52) **U.S. Cl.** ..... **D23/321**

(58) **Field of Search** ..... D23/318-322;  
392/322, 441, 449, 479-480; 220/567.3;  
219/296-309

(56) **References Cited**

**U.S. PATENT DOCUMENTS**

2,592,568 A \* 4/1952 Hill ..... 392/479  
4,185,187 A \* 1/1980 Rogers ..... 392/479  
4,595,825 A 6/1986 Gordbegli  
D301,733 S \* 6/1989 Mansfield ..... D23/318

D369,402 S \* 4/1996 Krishart ..... D23/318  
5,724,478 A 3/1998 Thweatt  
D421,107 S \* 2/2000 Jackson et al. .... D23/318  
2002/0146244 A1 10/2002 Thweatt, Jr.

\* cited by examiner

*Primary Examiner*—Brian N Vinson

(74) *Attorney, Agent, or Firm*—McGarry Bair PC

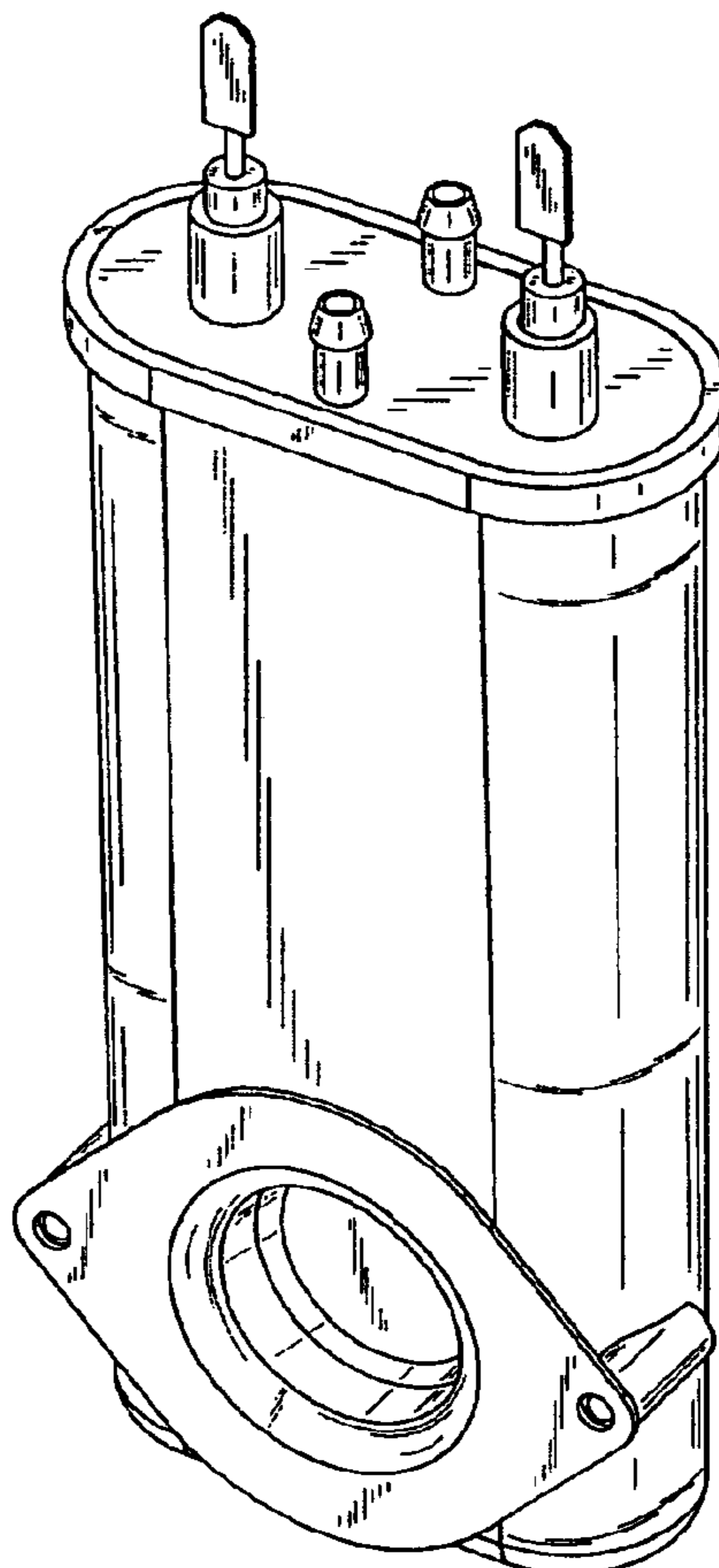
(57) **CLAIM**

The ornamental design for a heater module, as shown and described.

**DESCRIPTION**

FIG. 1 is a perspective view of a heater module which embodies our design;  
FIG. 2 is a front view thereof;  
FIG. 3 is a rear view thereof;  
FIG. 4 is a right side view thereof, the left side view thereof being a mirror image of the right side view thereof;  
FIG. 5 is a top view thereof; and,  
FIG. 6 is a bottom view.

**1 Claim, 5 Drawing Sheets**



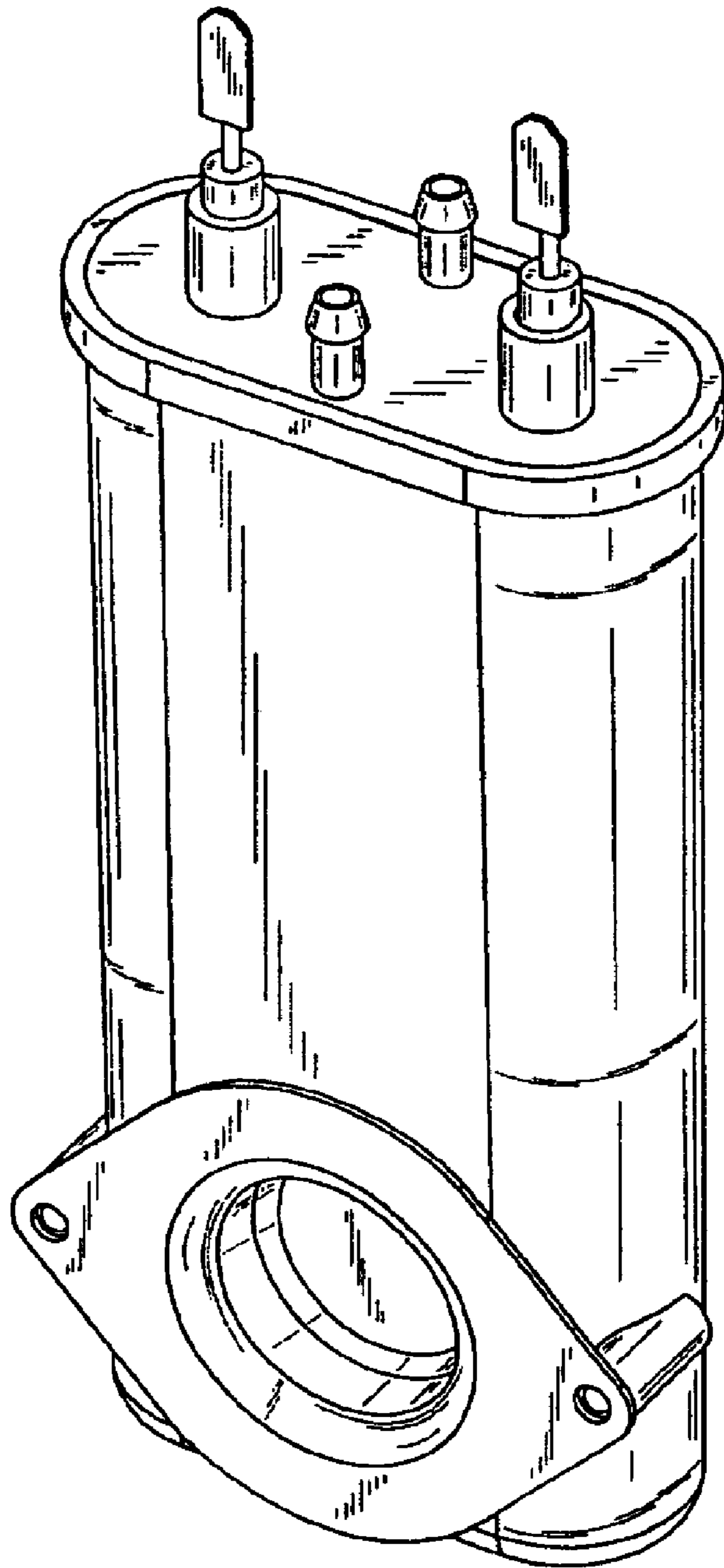
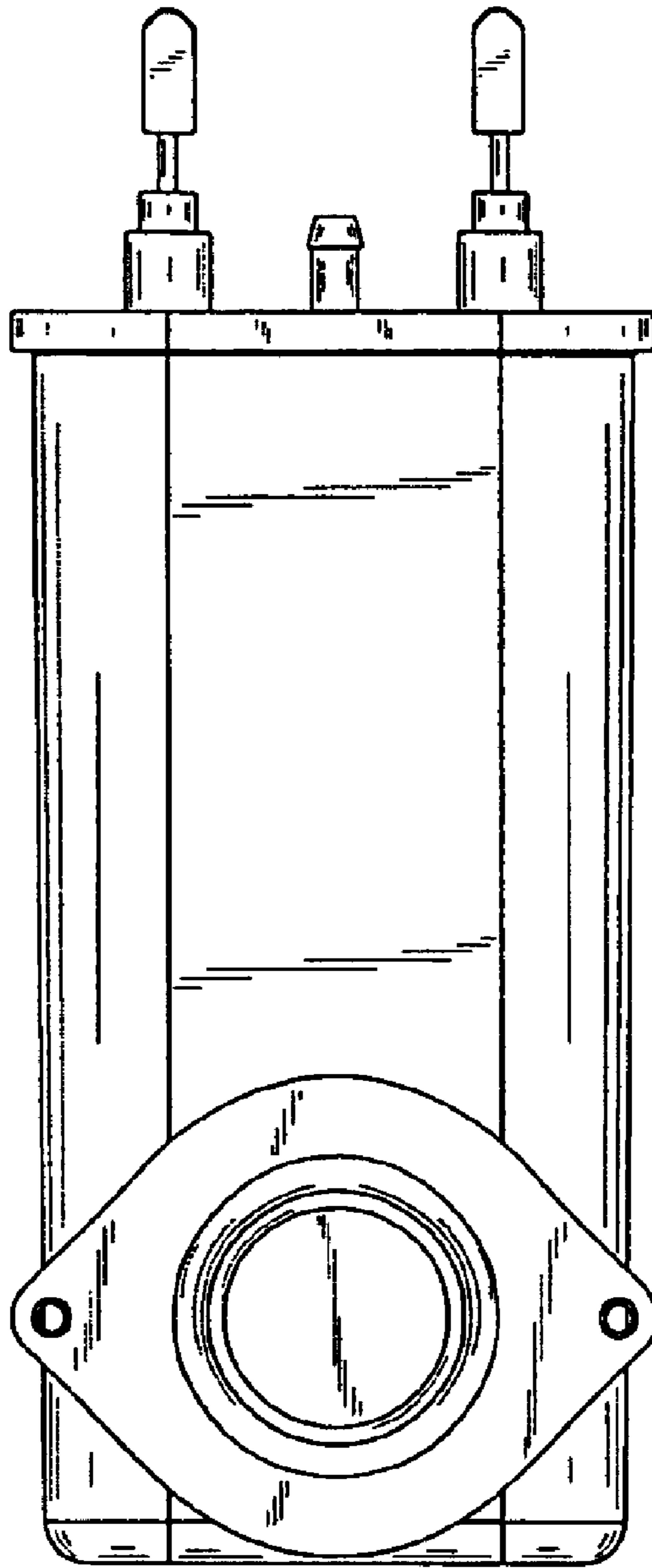
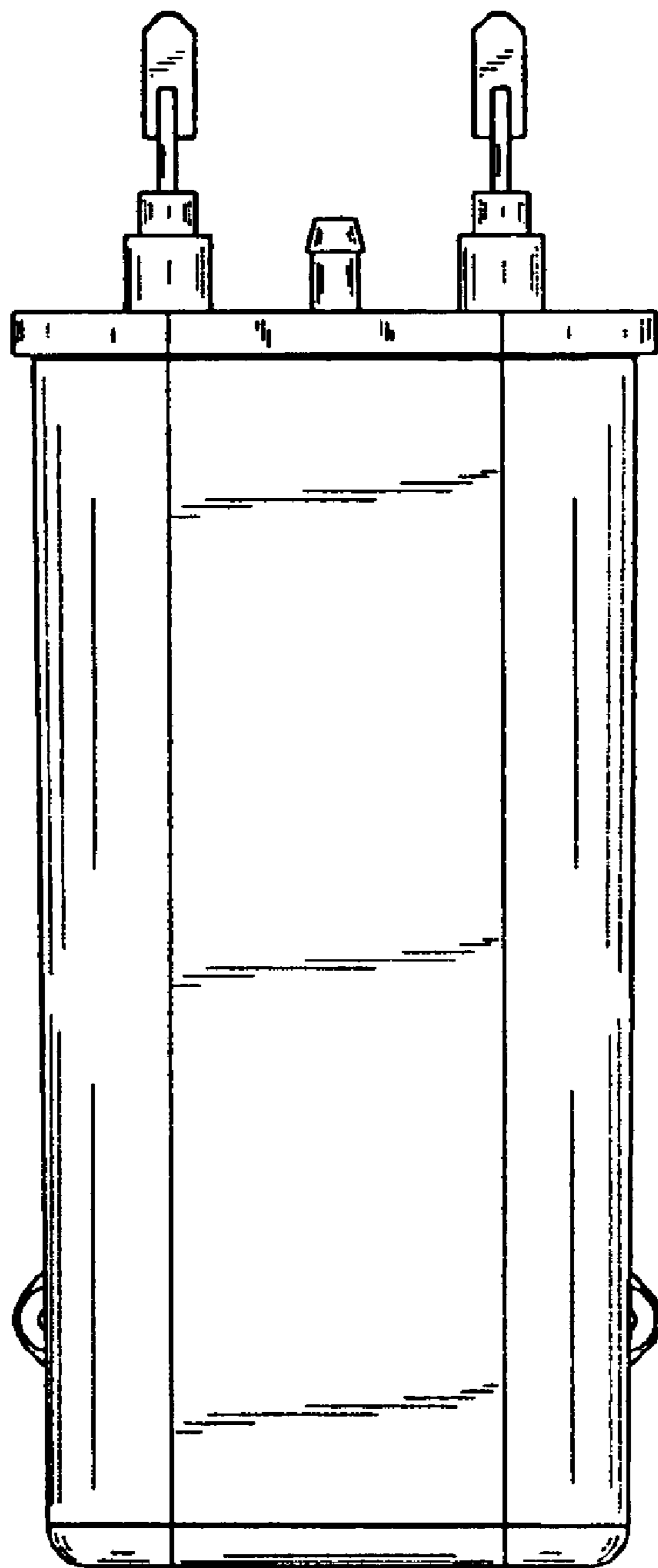


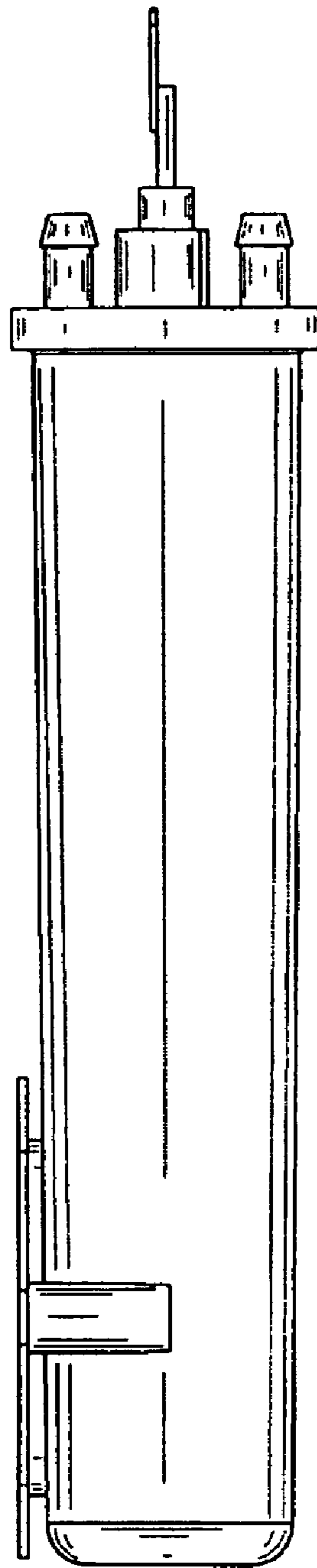
Fig. 1



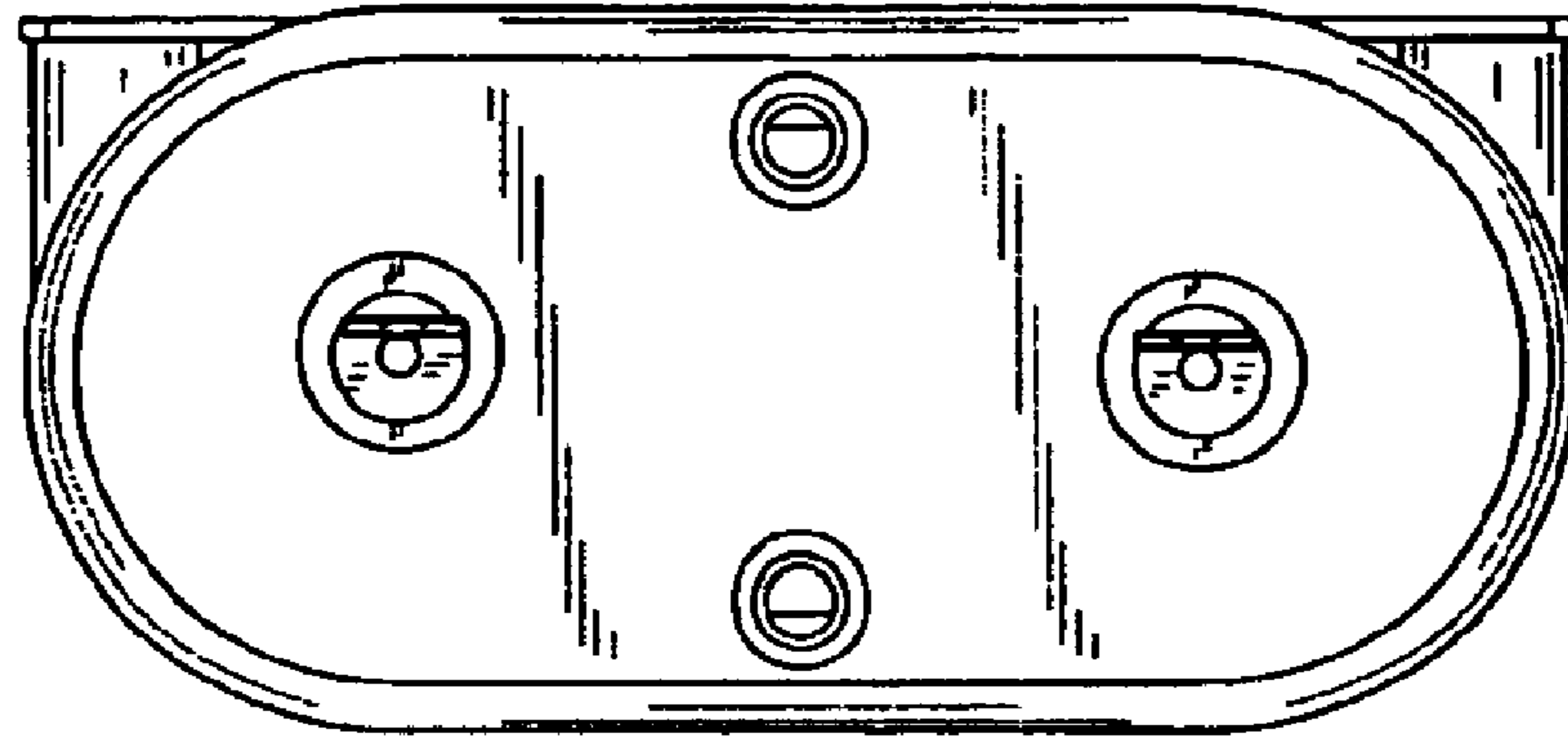
**Fig. 2**



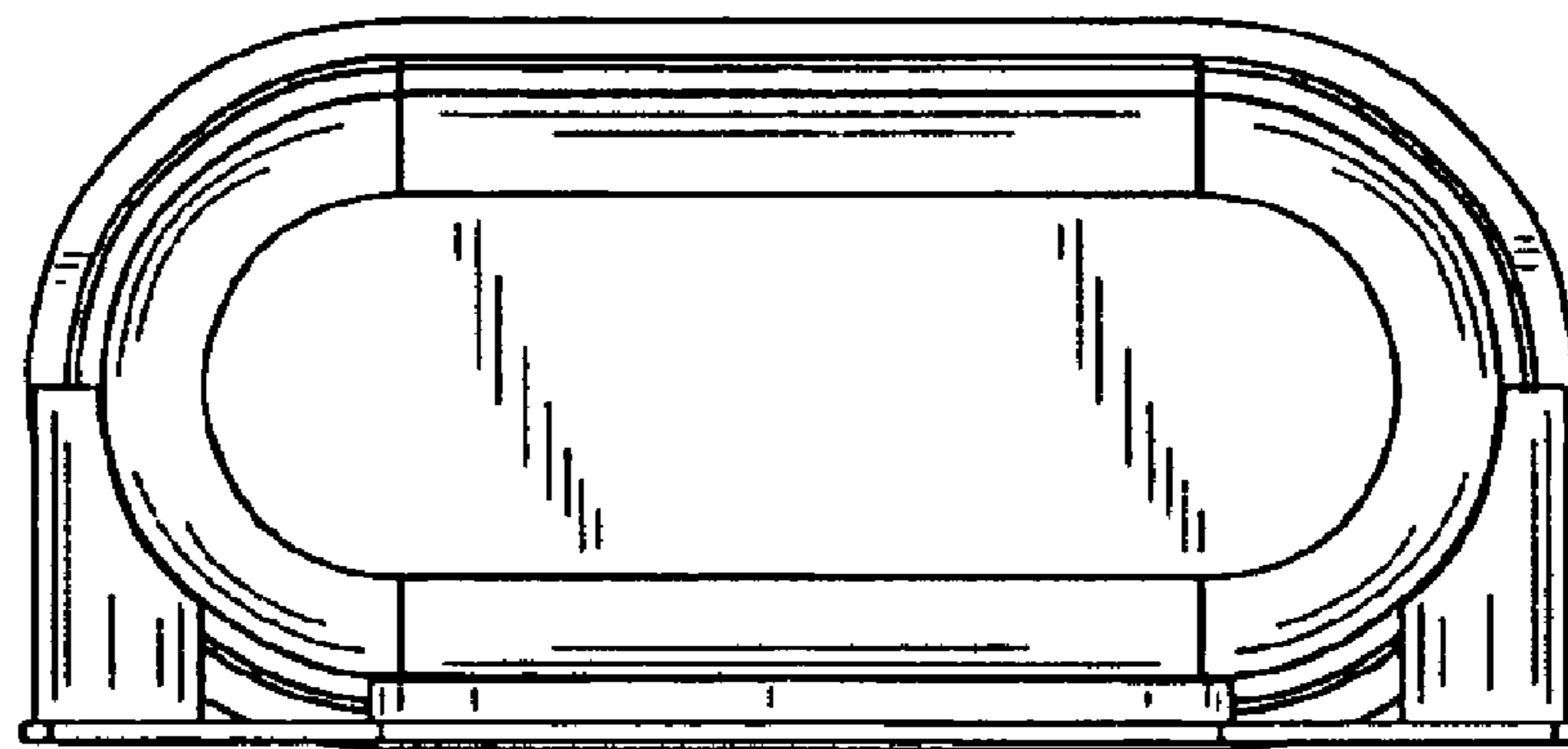
**Fig. 3**



**Fig. 4**



**Fig. 5**



**Fig. 6**