

US00D501915S

(12) **United States Design Patent**
Roesch et al.

(10) **Patent No.: US D501,915 S**
(45) **Date of Patent: ** Feb. 15, 2005**

(54) **U-BEND FITTING**

(75) Inventors: **Mark A. Roesch**, Brecksville, OH (US); **Dennis P. Revlock, Sr.**, Medina, OH (US)

(73) Assignee: **The Lamson & Sessions Co.**, Cleveland, OH (US)

(**) Term: **14 Years**

(21) Appl. No.: **29/187,319**

(22) Filed: **Jul. 30, 2003**

Related U.S. Application Data

(62) Division of application No. 10/448,167, filed on May 29, 2003.

(51) **LOC (7) Cl.** **23-01**

(52) **U.S. Cl.** **D23/259**

(58) **Field of Search** D23/259; 166/380, 166/382, 368, 312

(56) **References Cited**

U.S. PATENT DOCUMENTS

5,533,356	A	7/1996	DeMasters	
5,590,715	A	1/1997	Amerman	
5,639,184	A	6/1997	DeMasters	
5,642,964	A	7/1997	DeMasters	
5,758,724	A	6/1998	Amerman	
6,041,862	A	3/2000	Amerman	
6,209,648	B1 *	4/2001	Ohmer et al.	166/313
6,241,021	B1 *	6/2001	Bowling	166/380
6,250,371	B1	6/2001	Amerman et al.	
6,276,438	B1	8/2001	Amerman et al.	
6,315,046	B1 *	11/2001	Jack et al.	166/312

OTHER PUBLICATIONS

Vanguard Piping Systems web page at <http://www.vanguardpipe.com/geo.html>, printed on three sheets, copyright 2004.

Chevron Phillips Chemical web page at <http://www.cpchem.com/docs/PP650.pdf> entitled "Performance Pipe", pp. 1-8, dated Feb. 2002.

* cited by examiner

Primary Examiner—Robin V. Taylor

(74) *Attorney, Agent, or Firm*—Jones Day

(57) **CLAIM**

We claim the ornamental design for a U-bend fitting, as shown and described.

DESCRIPTION

FIG. 1 is a perspective view of a U-bend fitting embodying the ornamental design of the present invention;

FIG. 2 is a front view of the U-bend fitting;

FIG. 3 is a rear view of the U-bend fitting;

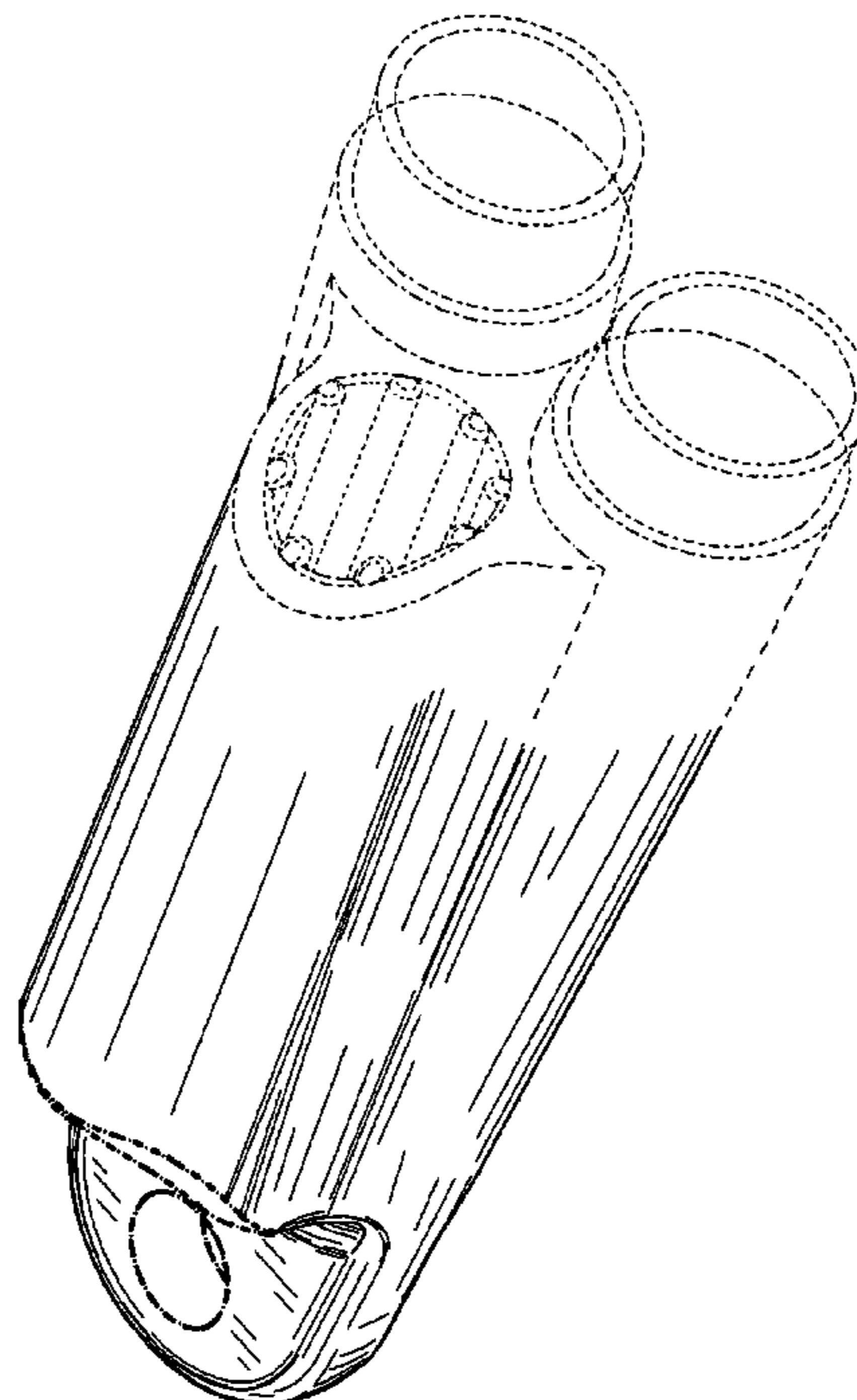
FIG. 4 is a side view of the U-bend fitting, the opposite side view being a mirror image;

FIG. 5 is a top view of the U-bend fitting; and,

FIG. 6 is a bottom view of the U-bend fitting.

The broken lines in FIGS. 1-6 are for illustrative purposes only and form no part of the claimed design. More specifically, dashed broken lines indicate unclaimed features. Dot-dash broken lines, shown with heavier weight than the dashed broken lines, define boundaries of the claimed design and may also correspond to unclaimed features, but do not correspond to claimed features.

1 Claim, 3 Drawing Sheets



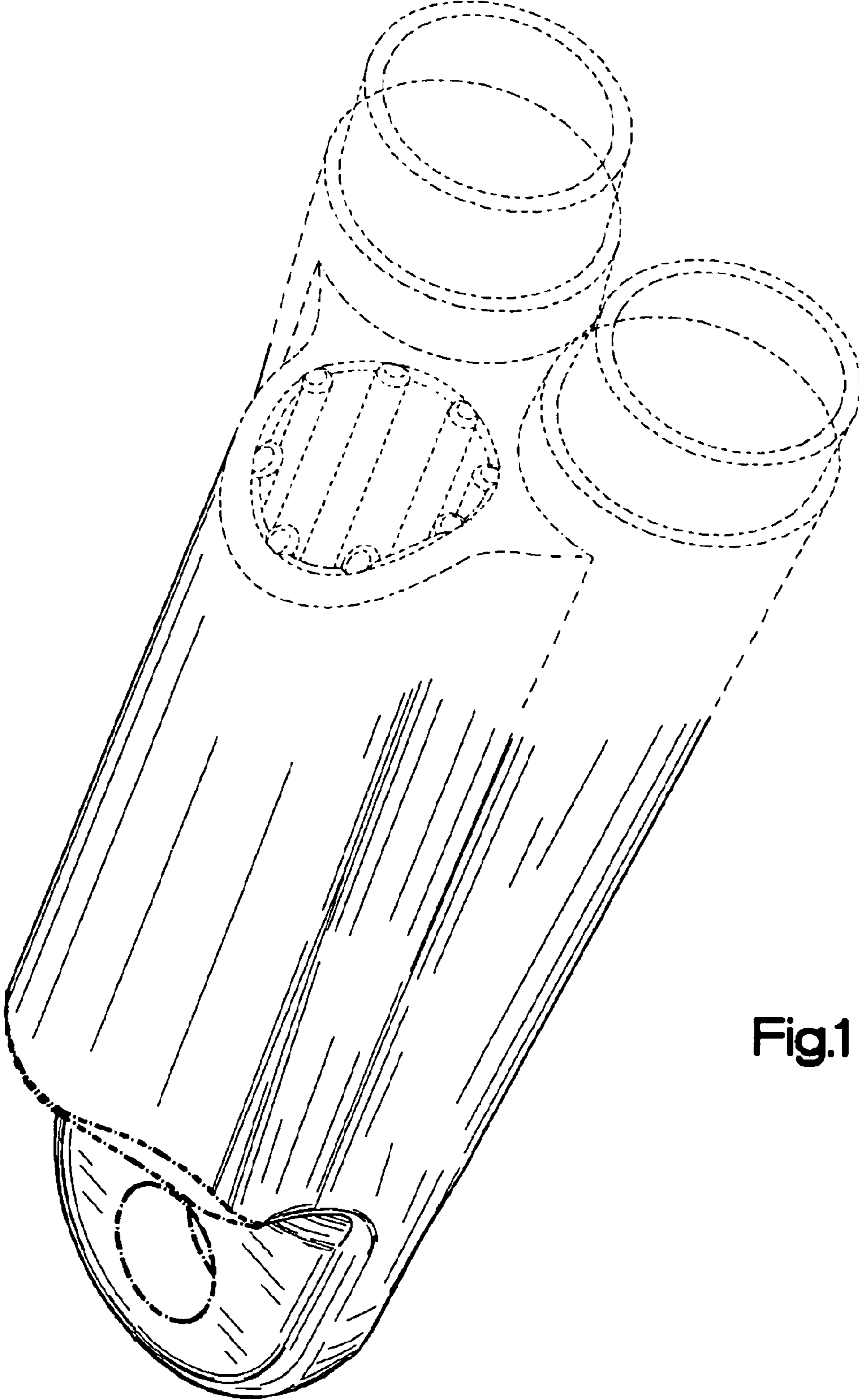


Fig.1

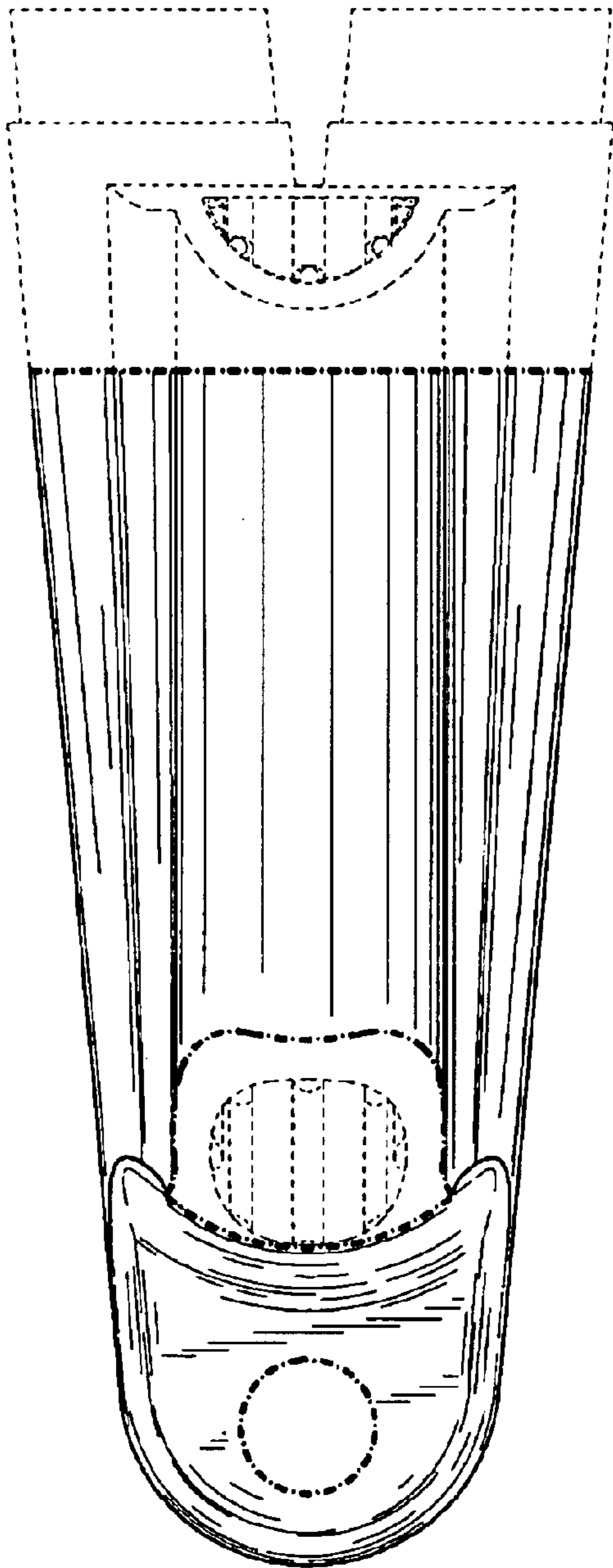


Fig.2

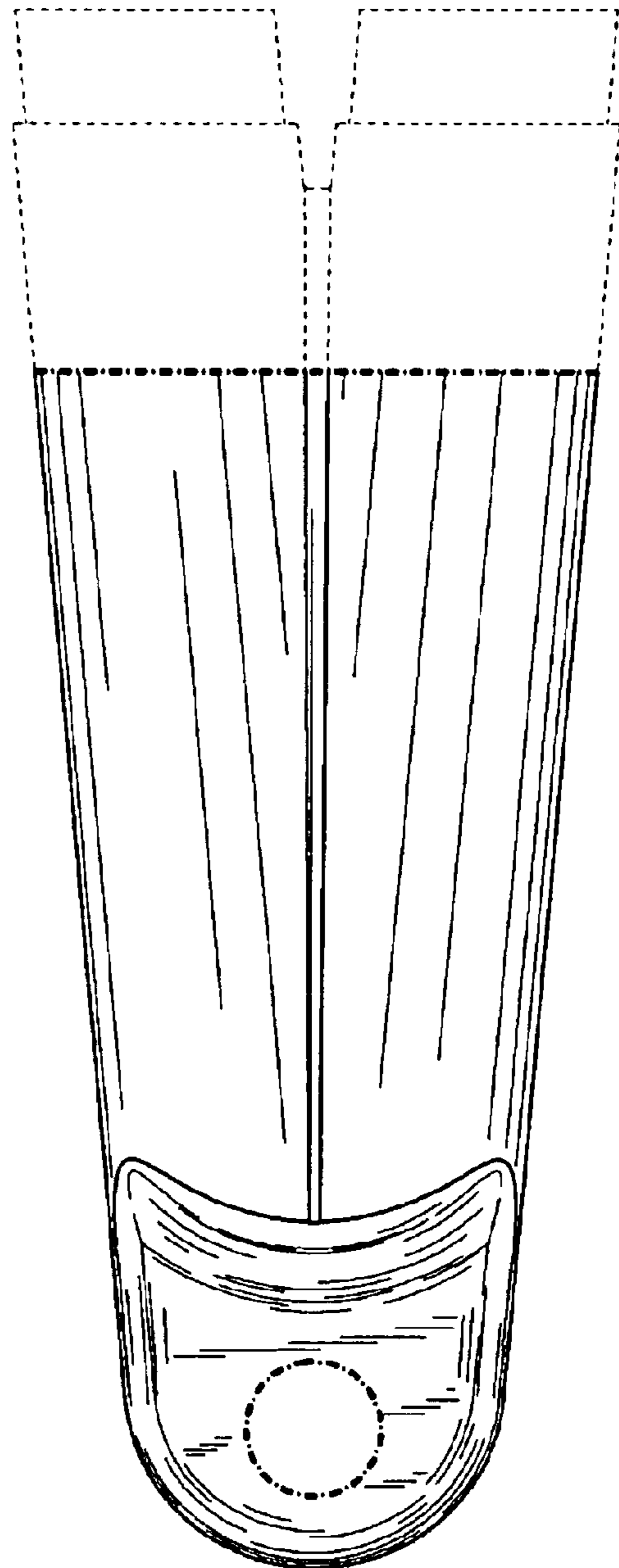


Fig.3

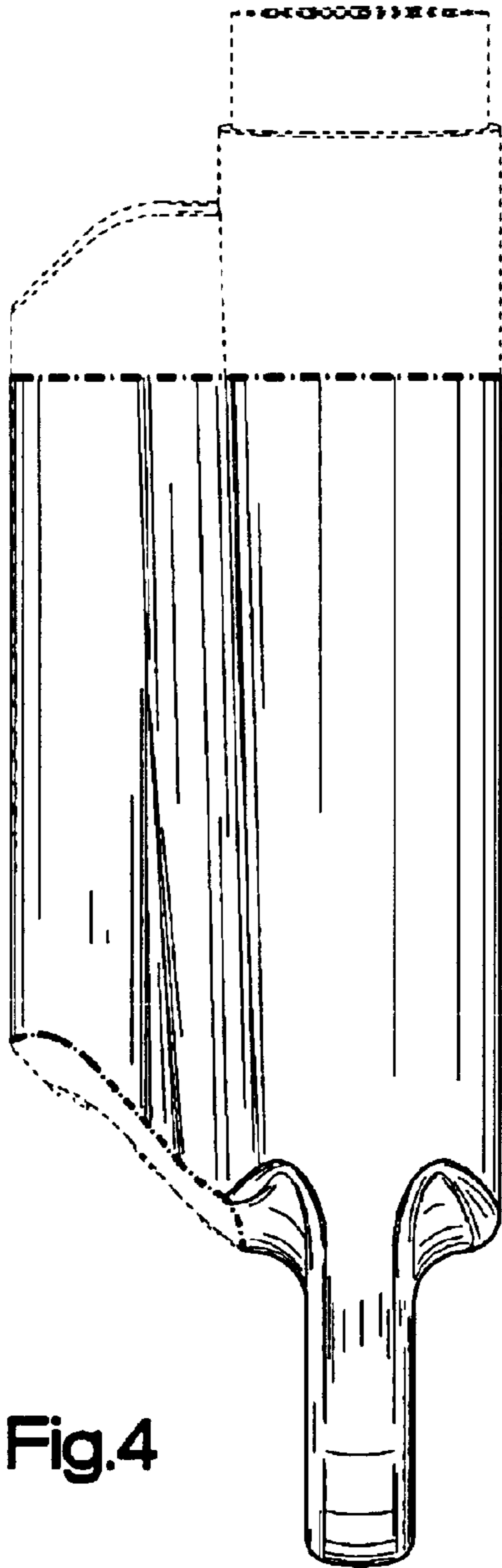


Fig.4

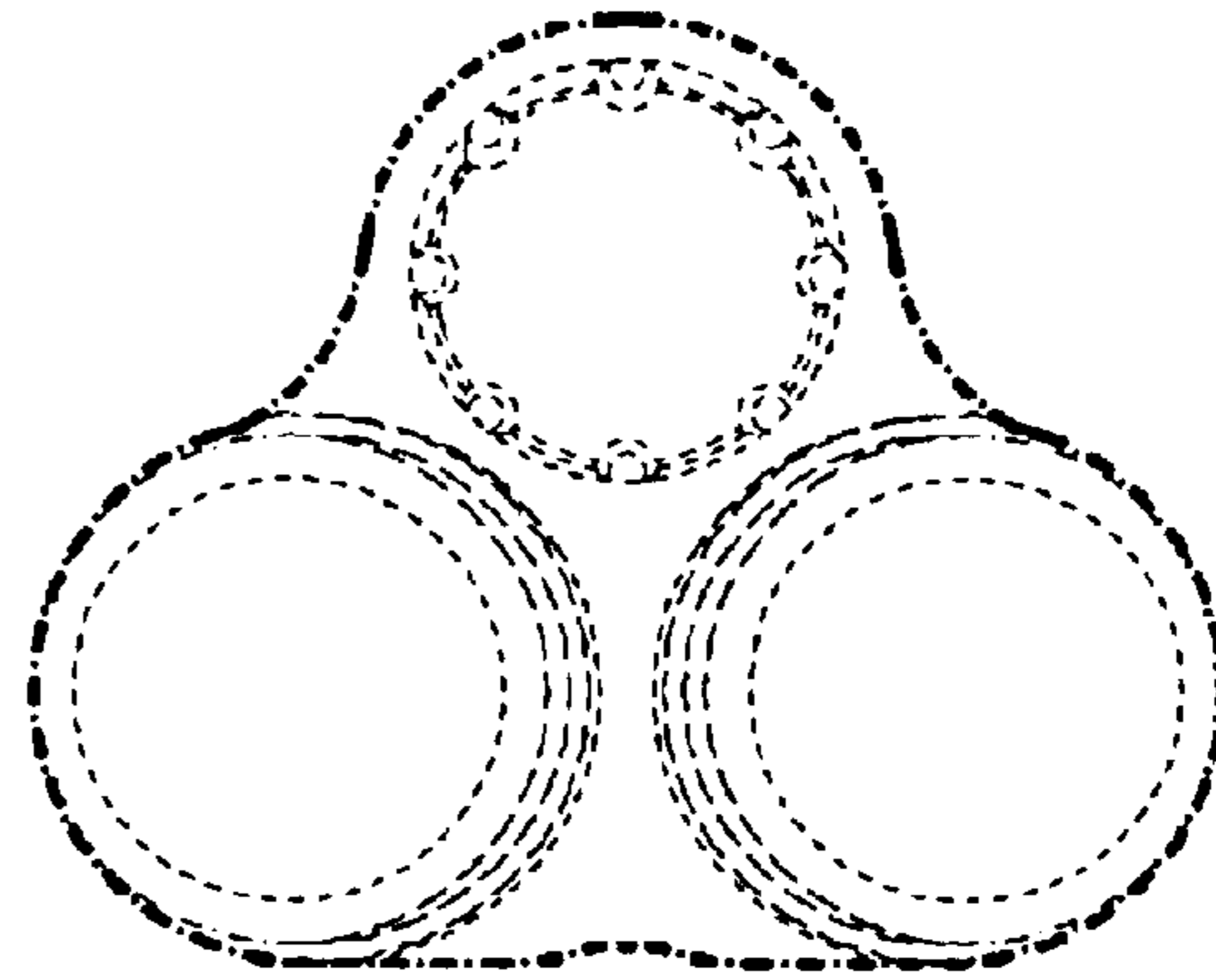


Fig.5

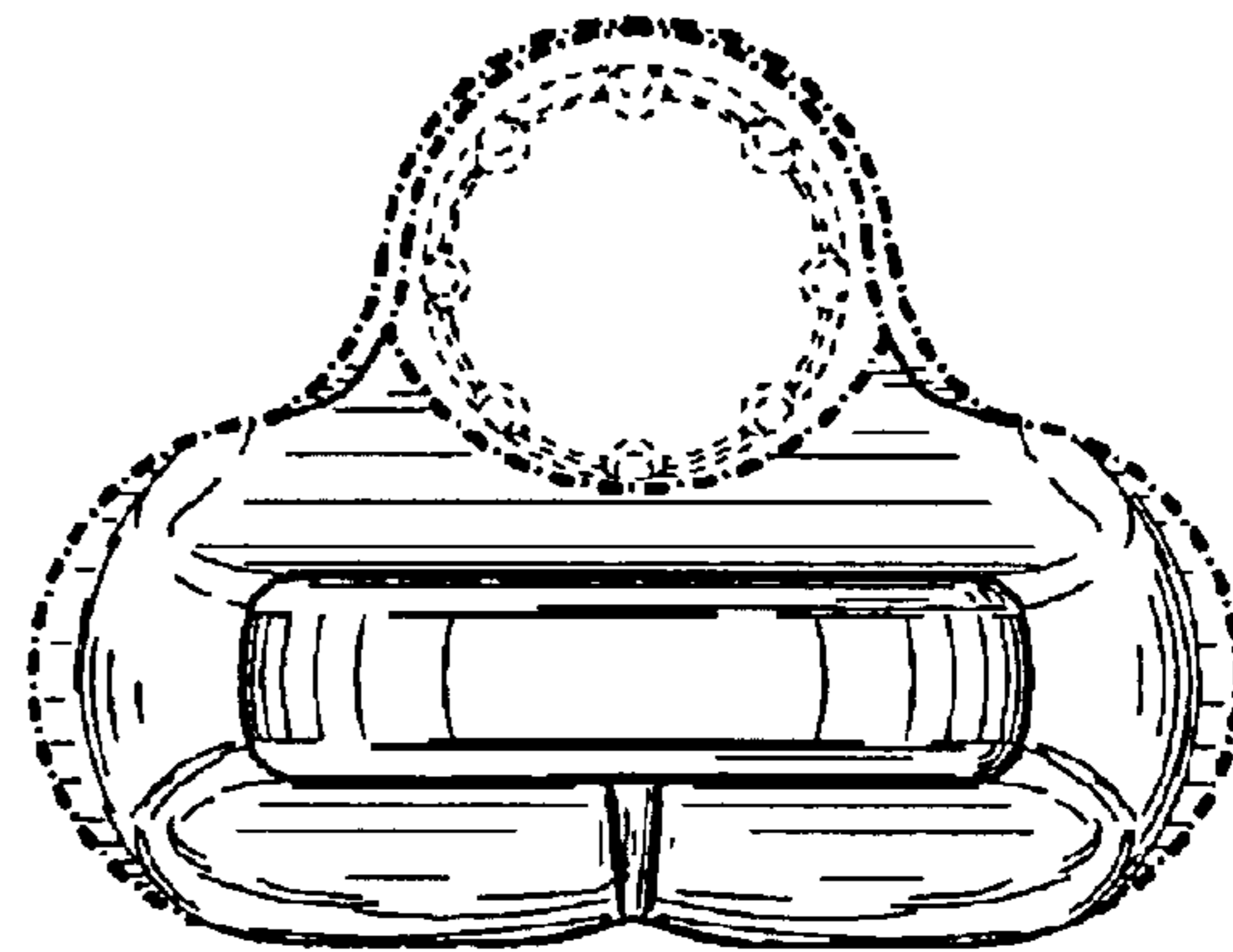


Fig.6