



US00D501913S

(12) **United States Design Patent**
Chen

(10) **Patent No.:** **US D501,913 S**

(45) **Date of Patent:** **** Feb. 15, 2005**

(54) **WATER SPRAYER FOR USE IN MOTOR
CLEANING**

D482,428 S * 11/2003 Fulwider D23/213
D495,026 S * 8/2004 Fulwider D23/213

(76) **Inventor:** **Chin-Yuan Chen**, No. 75, Liao Tsuoh
Lane, Liao Tsuoh Li, Lu-Kang Chen,
Chang-Hua Hsien (TW)

* cited by examiner

Primary Examiner—Robin V. Taylor
(74) *Attorney, Agent, or Firm*—Alan D. Kamrath; Nikolai
& Mersereau, P.A.

(**) **Term:** **14 Years**

(57) **CLAIM**

(21) **Appl. No.:** **29/195,006**

I claim the ornamental design for a water sprayer for use in
motor cleaning, as shown and described.

(22) **Filed:** **Dec. 5, 2003**

(51) **LOC (7) Cl.** **23-01**

(52) **U.S. Cl.** **D23/213**

(58) **Field of Search** D23/213, 223;
239/459, 602

DESCRIPTION

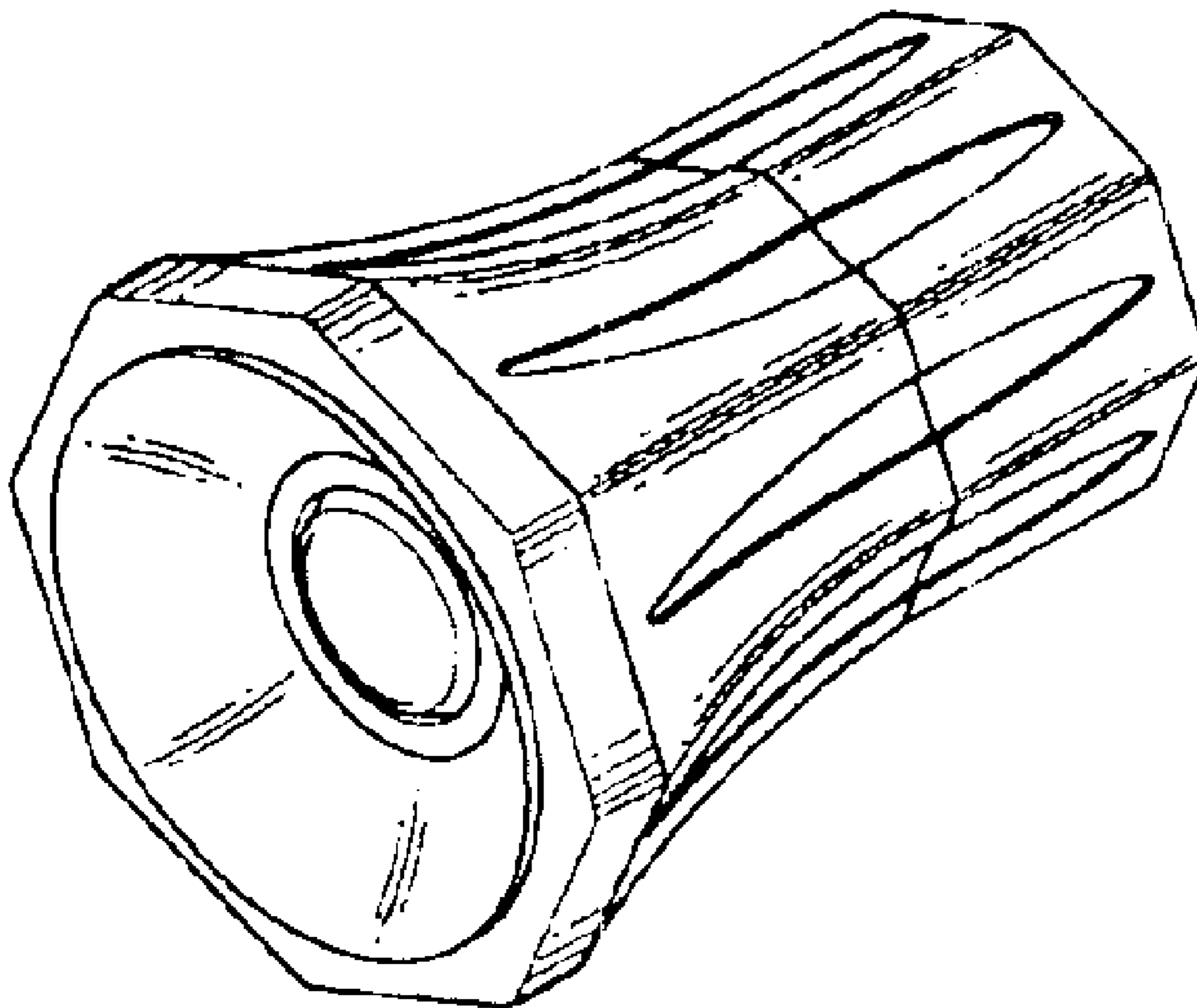
FIG. 1 is an upper perspective view of the water sprayer for
use in motor cleaning showing my design.
FIG. 2 is a front view thereof;
FIG. 3 is a back view thereof;
FIG. 4 is a side view thereof;
FIG. 5 is an opposite side view thereof;
FIG. 6 is a top view thereof; and,
FIG. 7 is a bottom view thereof.

(56) **References Cited**

U.S. PATENT DOCUMENTS

3,387,791 A * 6/1968 Allenbaugh, Jr. 239/458
D472,300 S * 3/2003 Chen D23/213
D473,286 S * 4/2003 Bonzer D23/213
D479,573 S * 9/2003 Chen D23/213

1 Claim, 4 Drawing Sheets



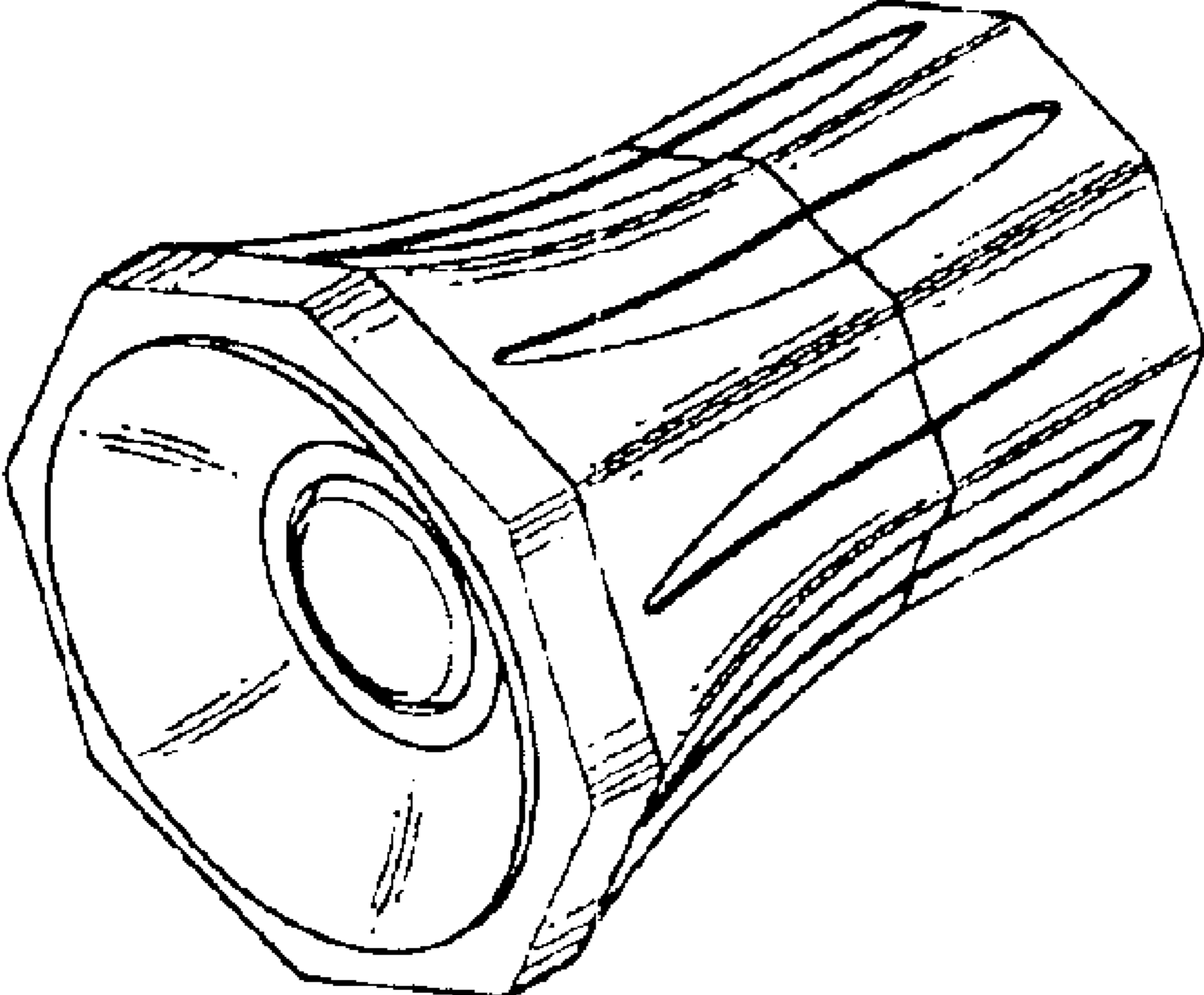


FIG.1

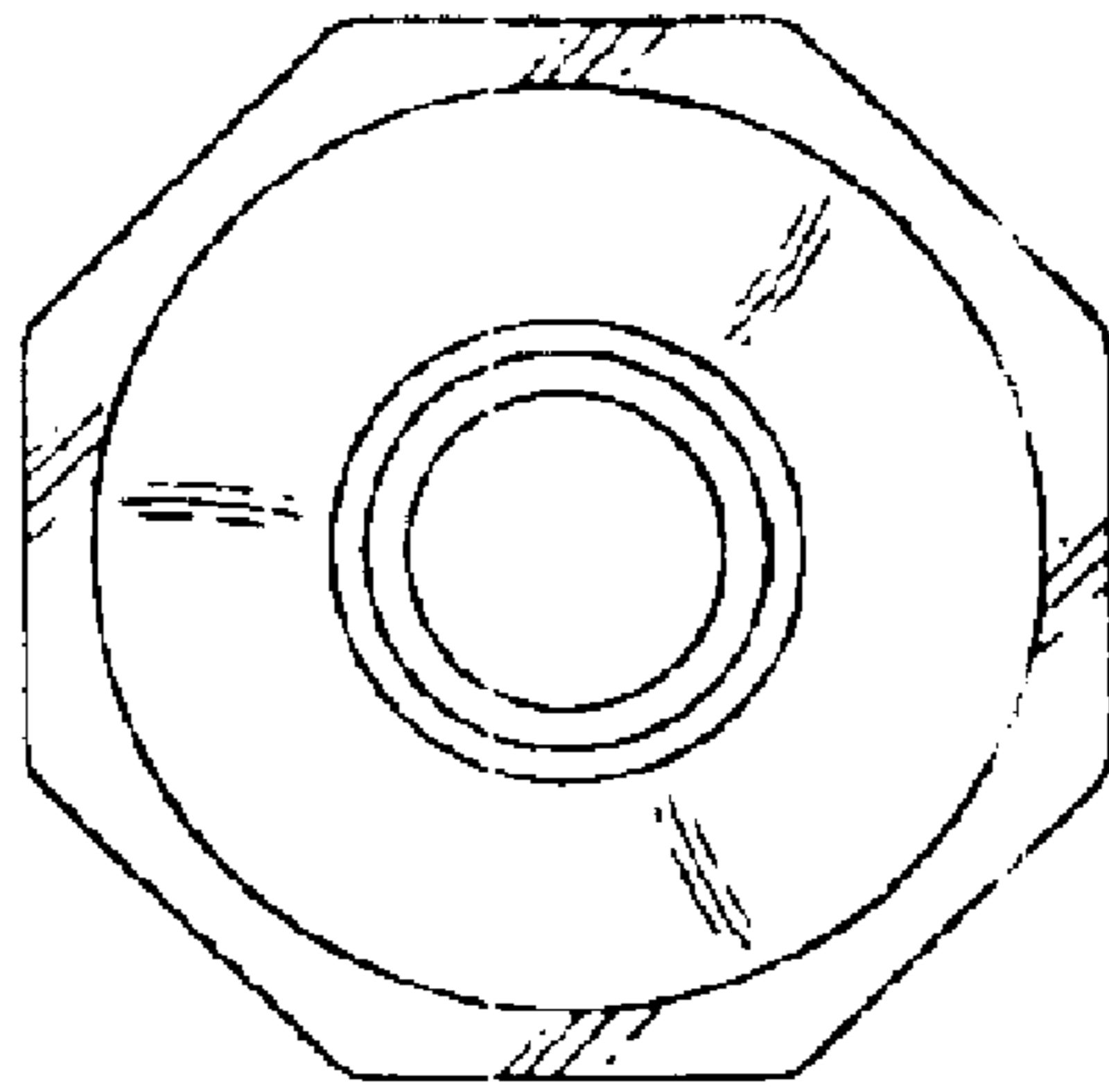


FIG. 2

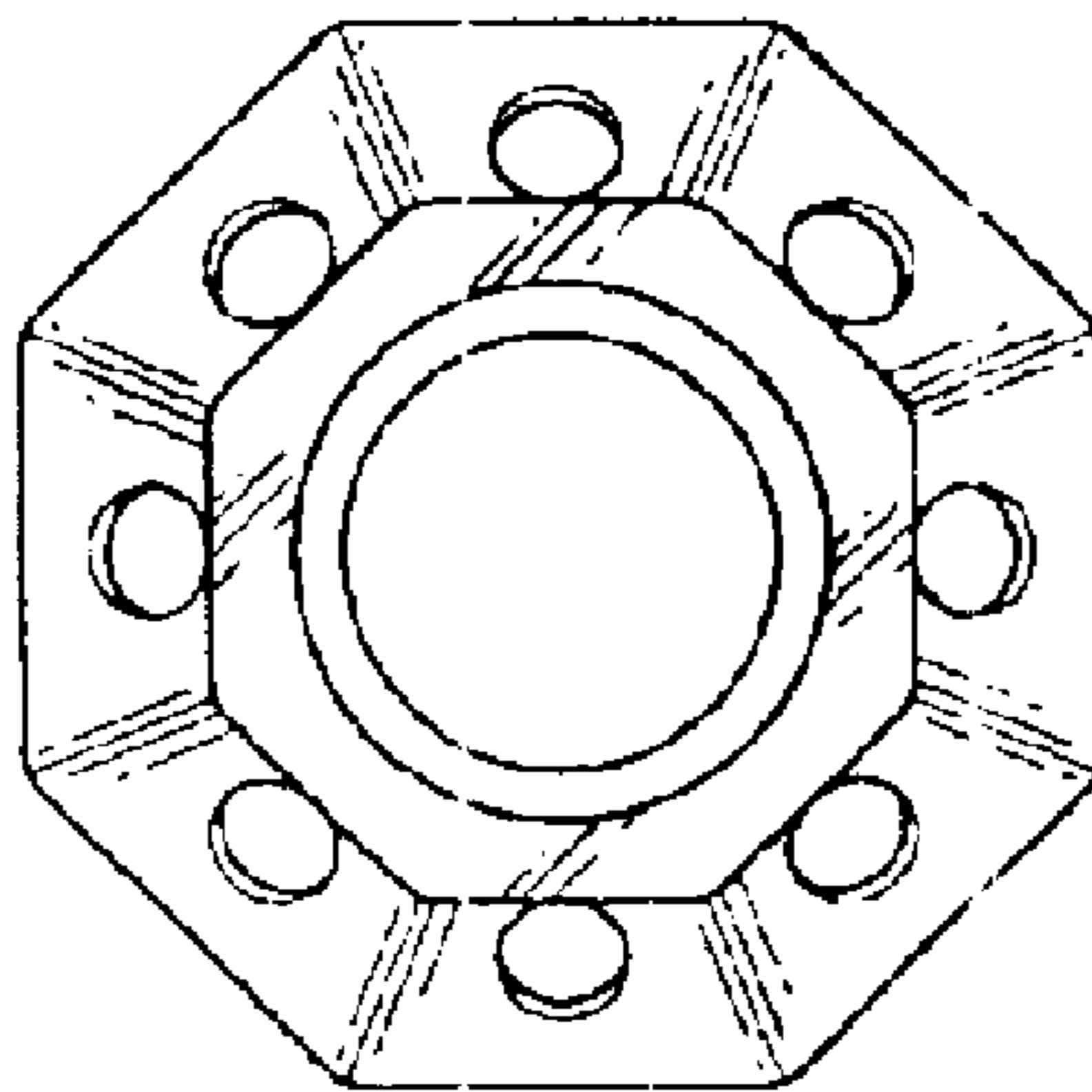


FIG. 3

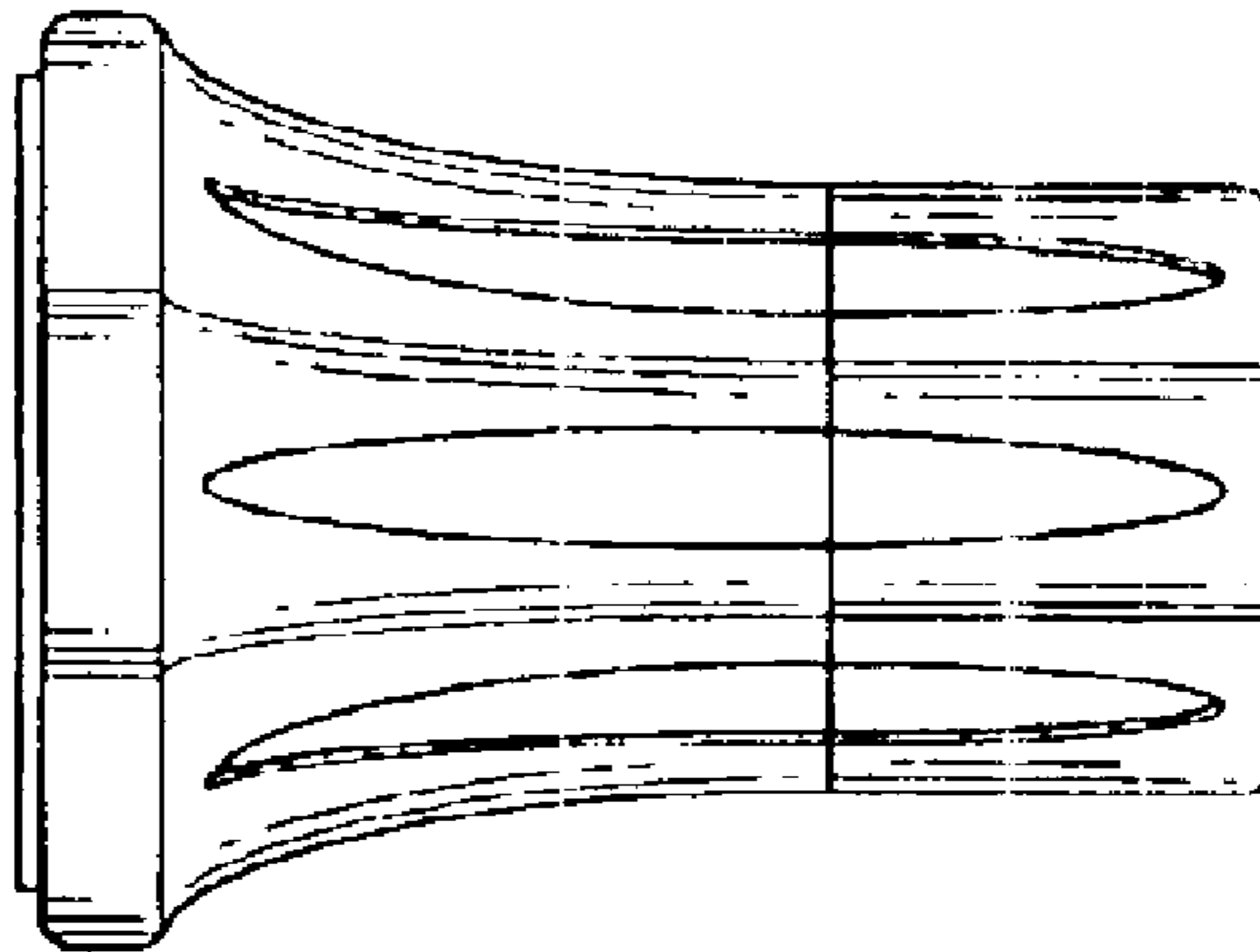


FIG. 4

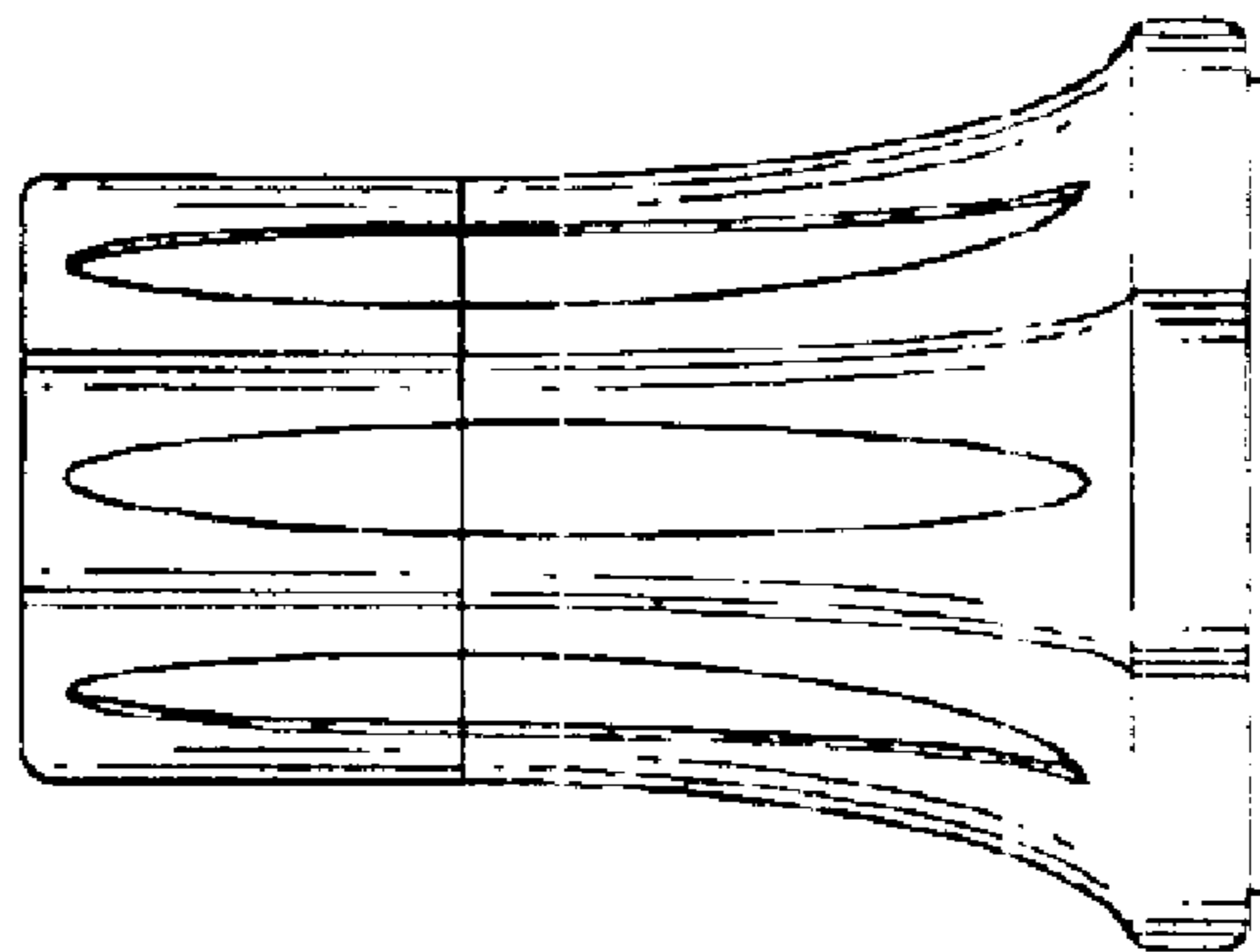


FIG. 5

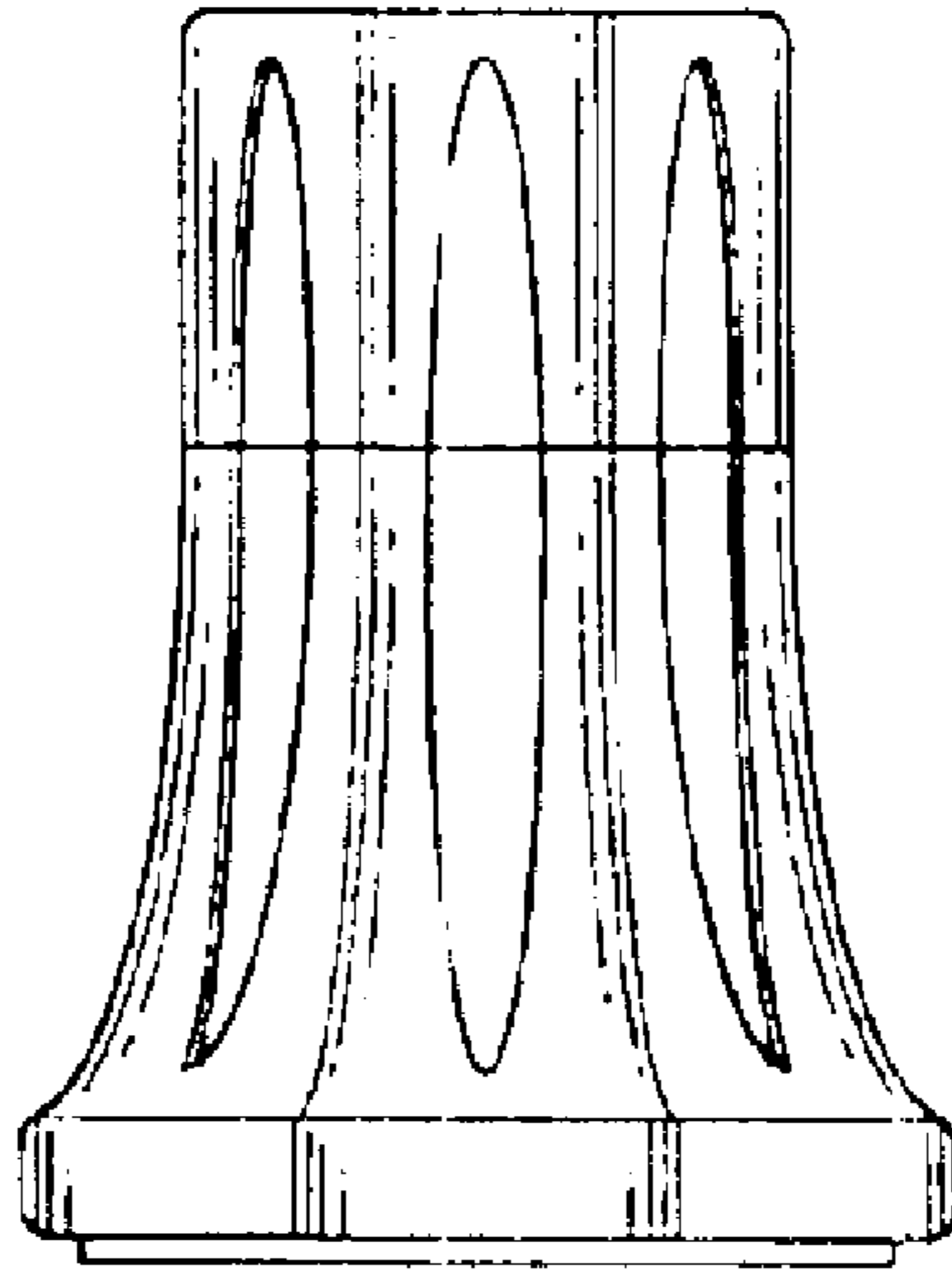


FIG. 6

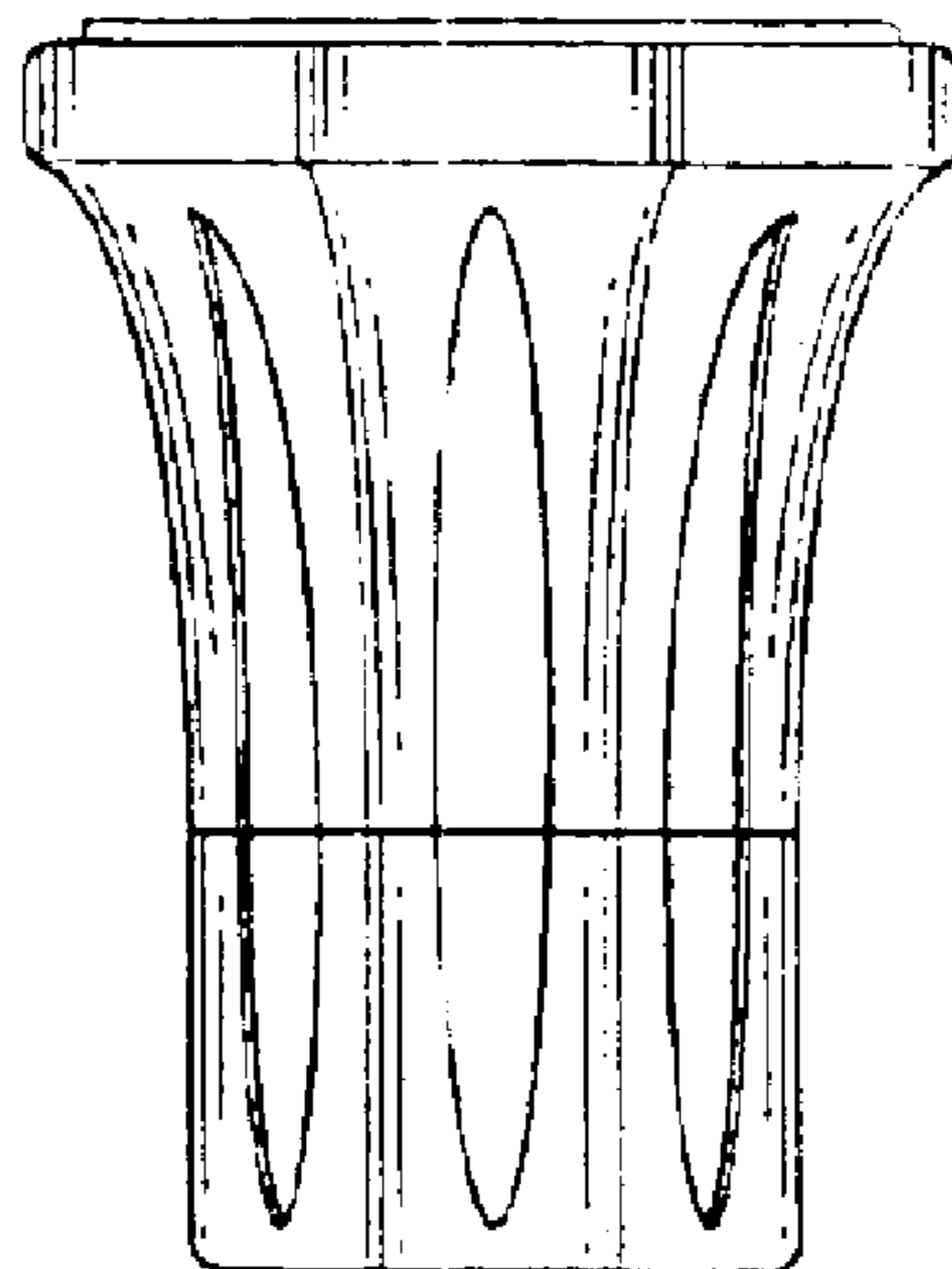


FIG. 7