

US00D501911S

(12) **United States Design Patent**  
**Love et al.**

(10) **Patent No.:** **US D501,911 S**  
(45) **Date of Patent:** **\*\* Feb. 15, 2005**

(54) **LAVATORY DEVICE**

D481,099 S \* 10/2003 Legeay ..... D23/208  
D481,100 S \* 10/2003 Legeay ..... D23/208  
D484,566 S \* 12/2003 Legeay ..... D23/208

(75) Inventors: **Michael David Love**, Parsippany, NJ  
(US); **Lamson Nguyen**, Somerset, NJ  
(US)

\* cited by examiner

(73) Assignee: **Reckitt Benekiser Inc.**, Parsippany, NJ  
(US)

*Primary Examiner*—Robin V. Taylor  
(74) *Attorney, Agent, or Firm*—Norris McLaughlin &  
Marcus PA

(\*\*) **Term:** **14 Years**

(57) **CLAIM**

(21) Appl. No.: **29/194,257**

The ornamental design for a lavatory device, as shown and described.

(22) Filed: **Nov. 20, 2003**

**DESCRIPTION**

(30) **Foreign Application Priority Data**

May 23, 2003 (GB) ..... 3012849

FIG. 1 is a perspective view from one side of the lavatory device.

(51) **LOC (7) Cl.** ..... **23-01**

FIG. 2 is a plan view of the top of the lavatory device.

(52) **U.S. Cl.** ..... **D23/208**

FIG. 3 is a plan view of the bottom of the lavatory device.

(58) **Field of Search** ..... D23/208; 4/231,  
4/223, 225.1, 227.1

FIG. 4 is a plan view of the front of the lavatory device.

FIG. 5 is a plan view of the back of the lavatory device.

FIG. 6 is a plan view of the side of the lavatory device.

FIG. 7 is a plan view of the other side of the lavatory device;

and,

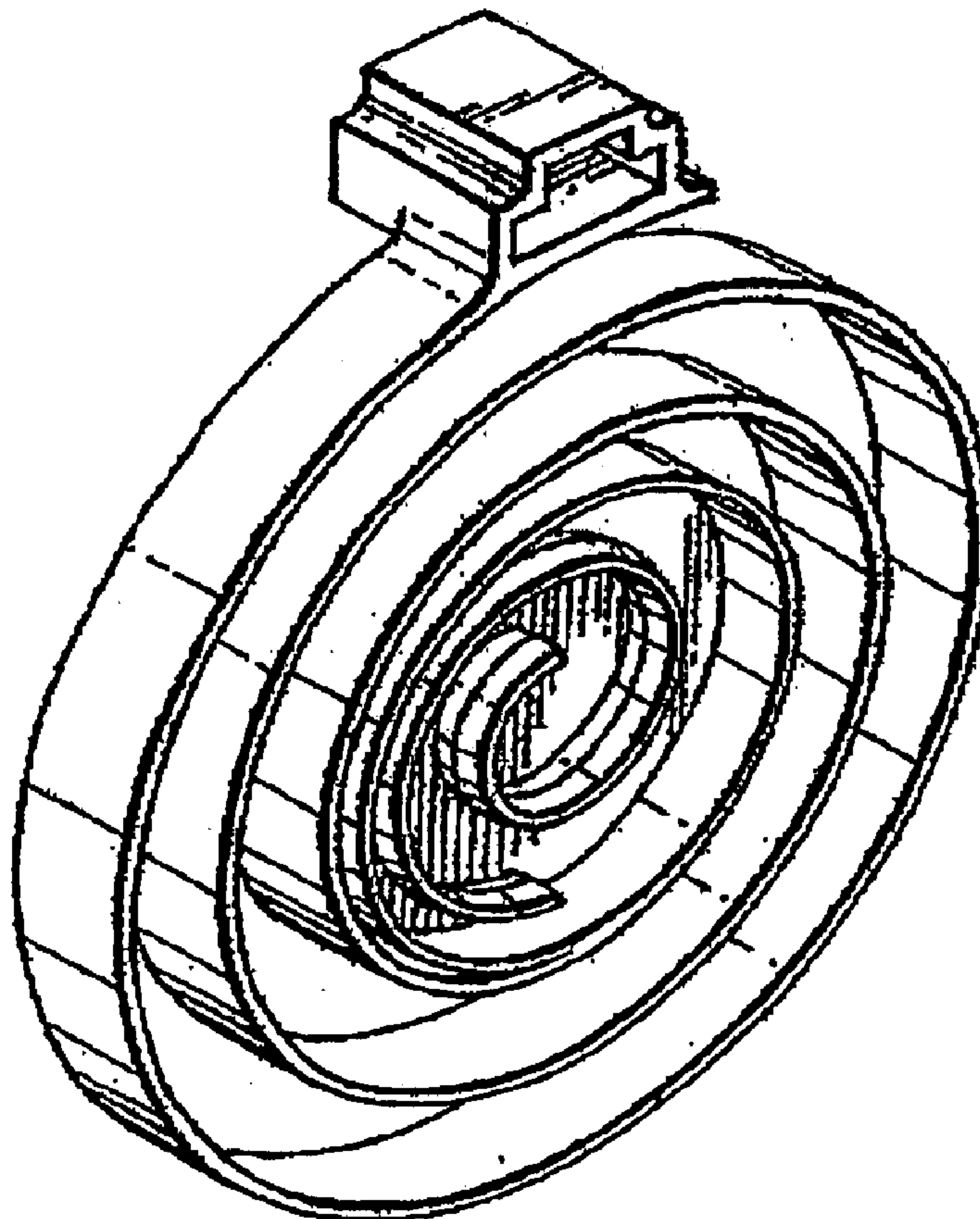
FIG. 8 is a perspective view from the top of the lavatory device.

(56) **References Cited**

**U.S. PATENT DOCUMENTS**

RE32,017 E \* 11/1985 Hautmann et al. .... 4/231  
6,389,610 B1 \* 5/2002 Hautmann et al. .... 4/231

**1 Claim, 8 Drawing Sheets**



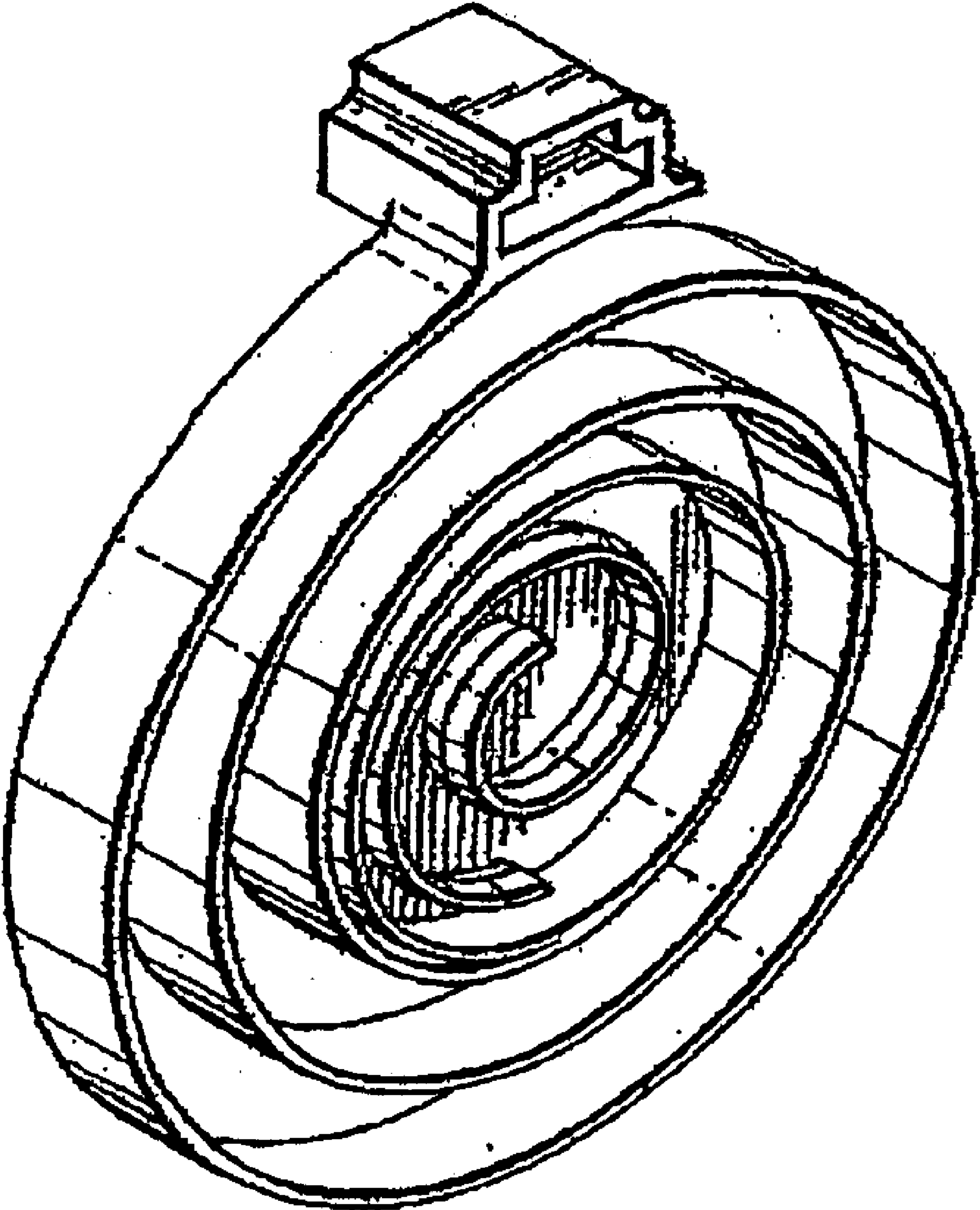


FIGURE 1

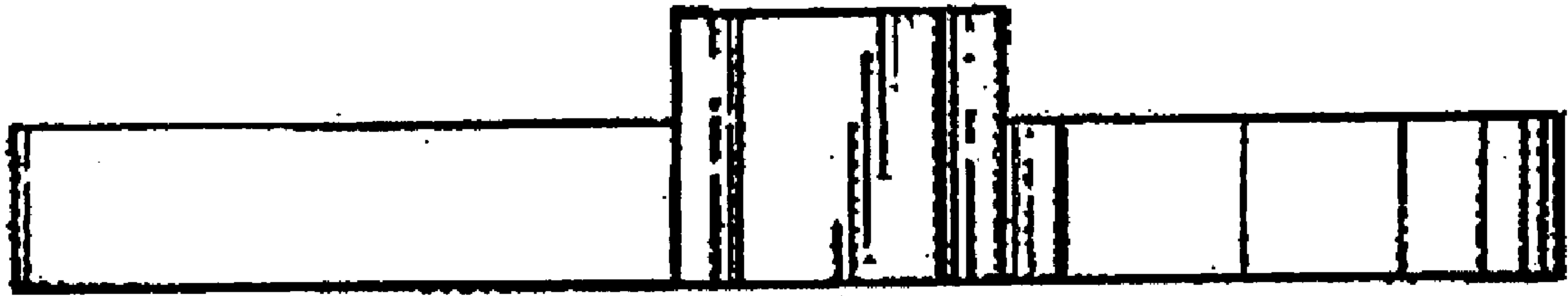


FIGURE 2

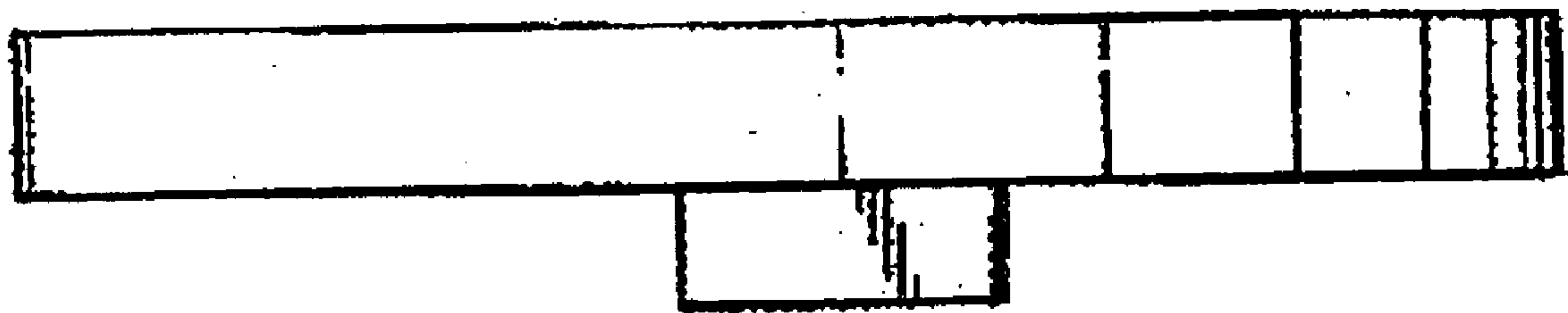


FIGURE 3

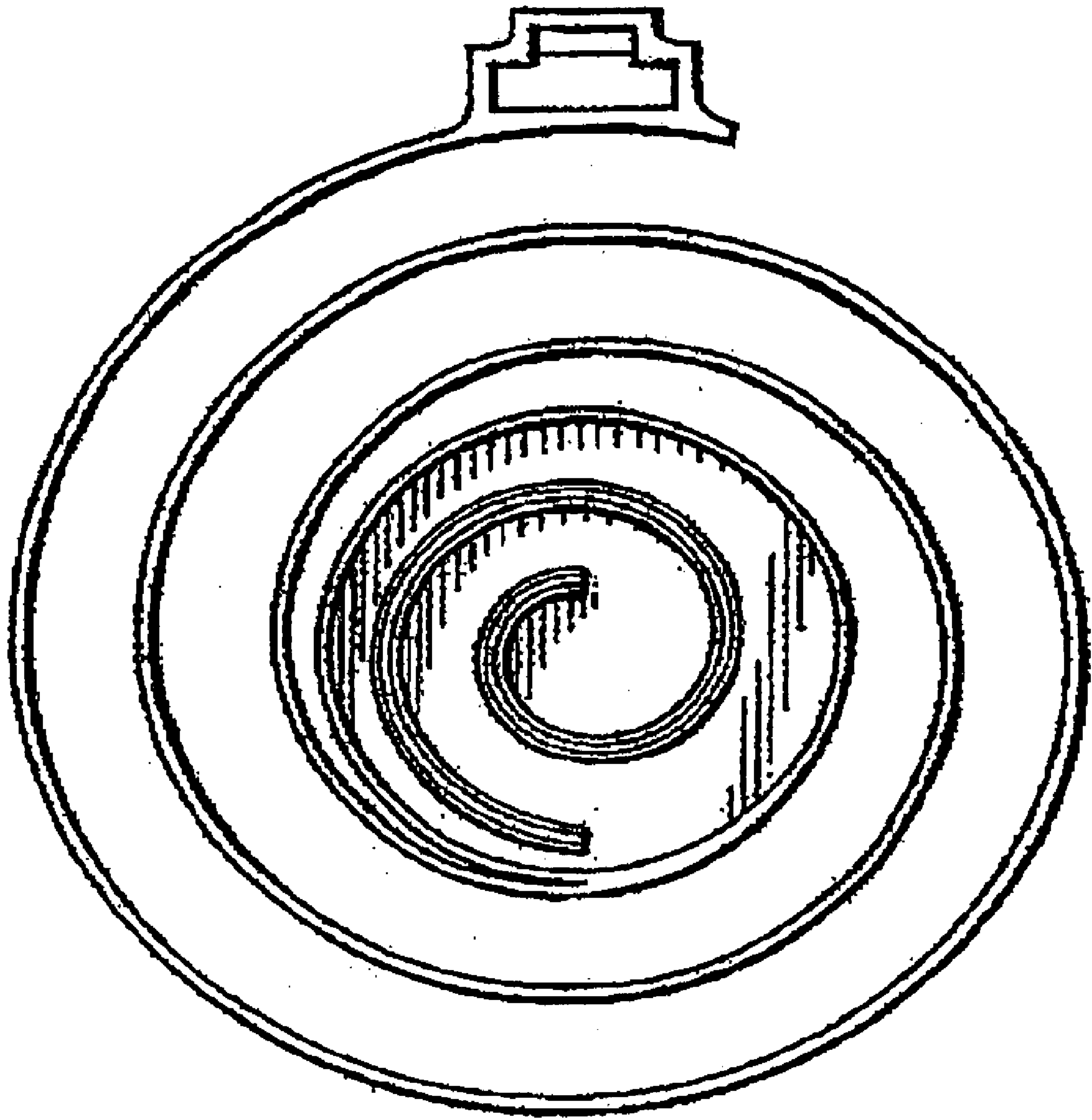


FIGURE 4

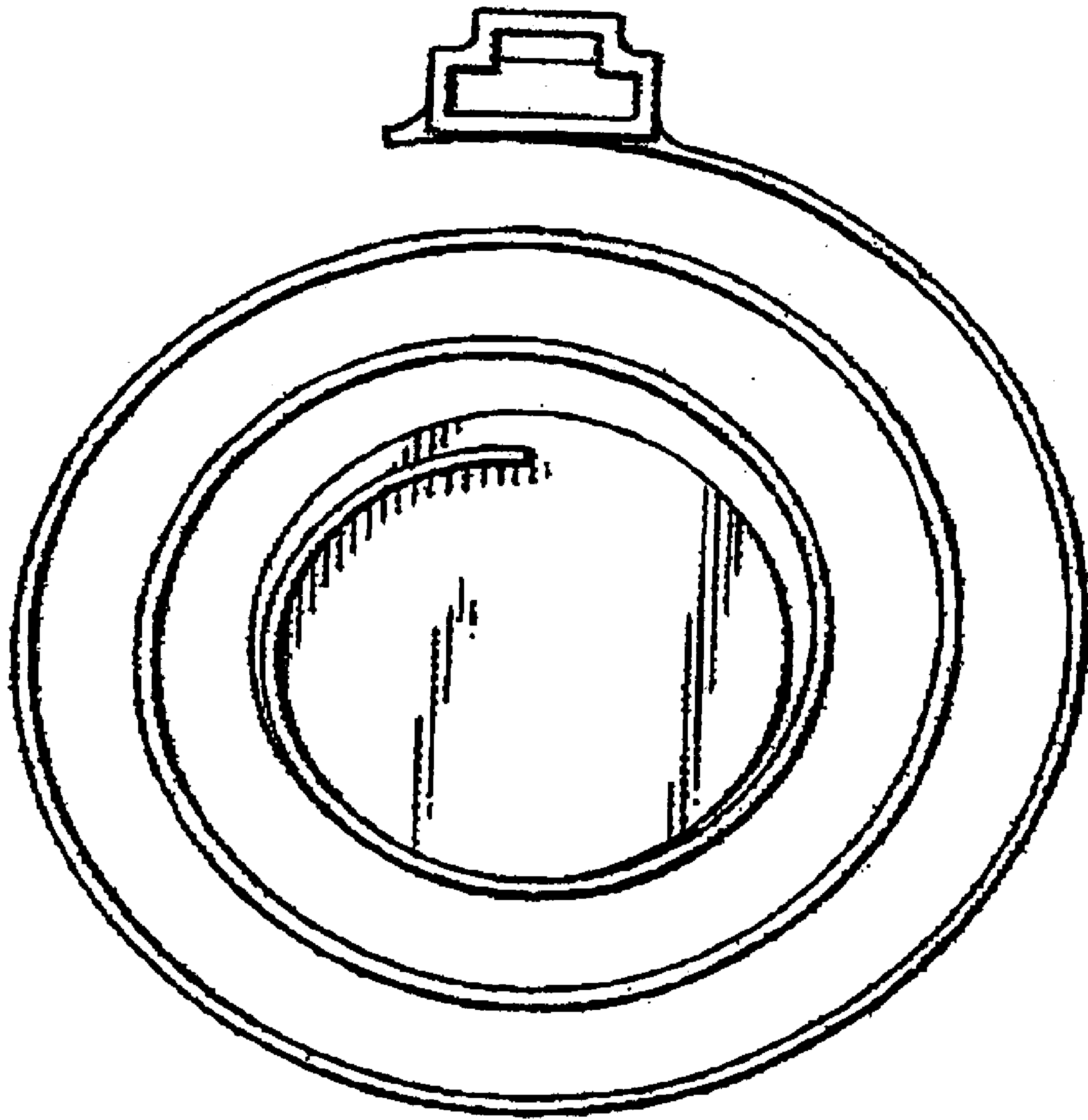


FIGURE 5

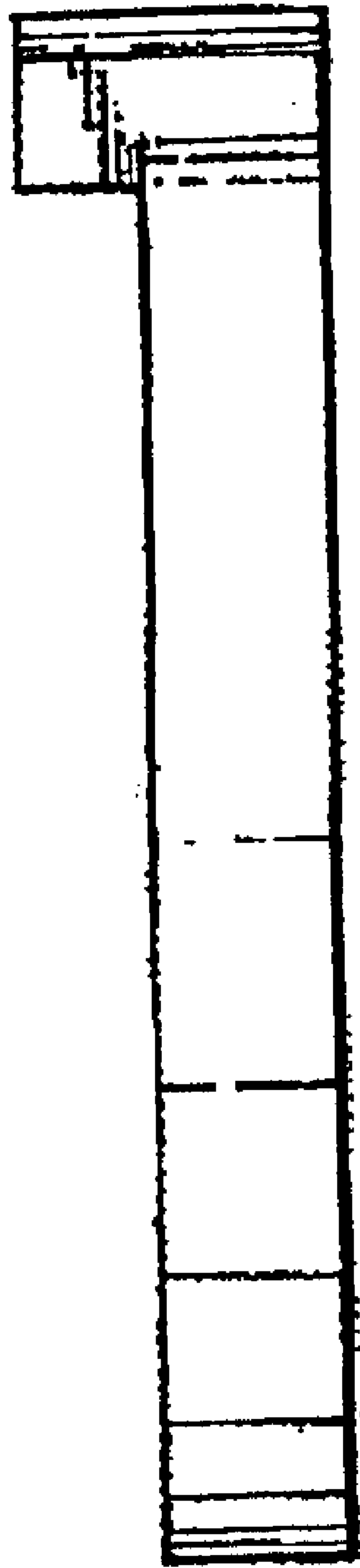


FIGURE 6





FIGURE 7



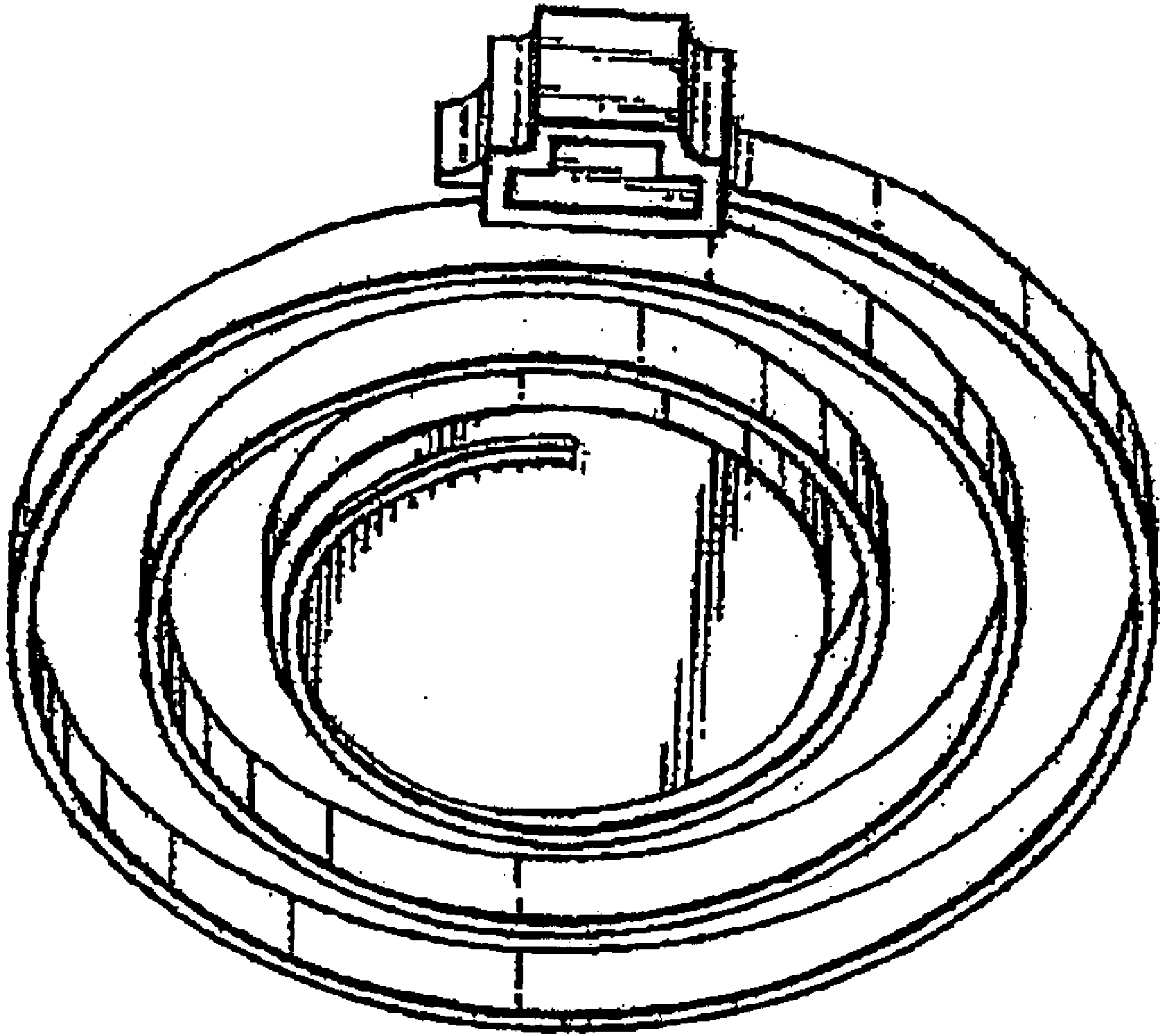


FIGURE 8