

US00D501910S

(12) **United States Design Patent**
Kirby

(10) **Patent No.:** **US D501,910 S**

(45) **Date of Patent:** **** Feb. 15, 2005**

(54) **DOUBLE FISHING POLE HOLDER WITH CARRYING HANDLE**

D413,648 S * 9/1999 Simpson et al. D22/147
D414,239 S * 9/1999 Lovelady D22/147
6,568,122 B1 * 5/2003 Smith 43/21.2

(76) Inventor: **Charles R. Kirby**, 360 W. Walton Ave., Coolidge, AZ (US) 85228

* cited by examiner

(**) Term: **14 Years**

Primary Examiner—Catherine R. Oliver

(74) *Attorney, Agent, or Firm*—Donald R. Schoonover

(21) Appl. No.: **29/205,095**

(57) **CLAIM**

(22) Filed: **May 10, 2004**

I claim the ornamental design for a double fishing pole holder with carrying handle, as shown and described.

(51) **LOC (7) Cl.** **22-05**

(52) **U.S. Cl.** **D22/147**

(58) **Field of Search** D22/147-148;
43/21.2; 248/530, 533, 512-515

DESCRIPTION

FIG. 1 is a perspective view of a double fishing pole holder with carrying handle showing my new design;

FIG. 2 is a front elevational view thereof, the rear elevational view being identical thereto;

FIG. 3 is a right side elevational view thereof showing the double fishing pole holder with carrying handle in use, the left side elevational view being a mirror image thereof; the broken lines depict environmental structure for illustrative purposes only and form no part of the claimed design;

FIG. 4 is a top plan view thereof; and,

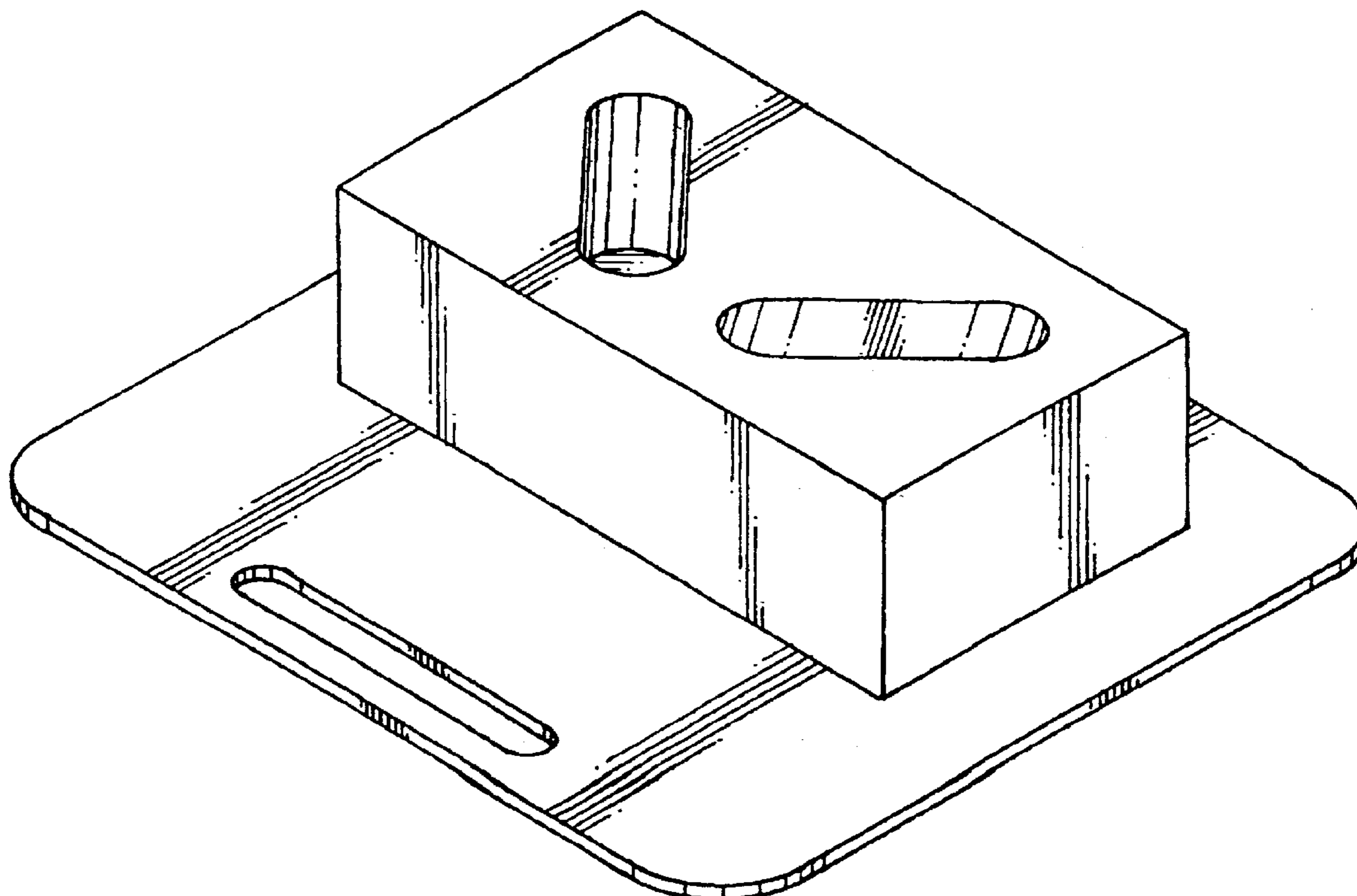
FIG. 5 is a bottom plan view thereof.

(56) **References Cited**

U.S. PATENT DOCUMENTS

3,571,964 A	3/1971	Bogathy	43/55
3,603,019 A	9/1971	Smeltzer	43/21.2
4,293,113 A	10/1981	Gray	248/518
4,372,072 A	2/1983	Comeau	43/21.2
4,637,156 A	1/1987	Simmons	43/21.2
5,131,179 A	7/1992	McEwen	43/21.2
D381,392 S	* 7/1997	Darling	D22/148
D393,690 S	* 4/1998	Lovelady et al.	D22/147

1 Claim, 3 Drawing Sheets



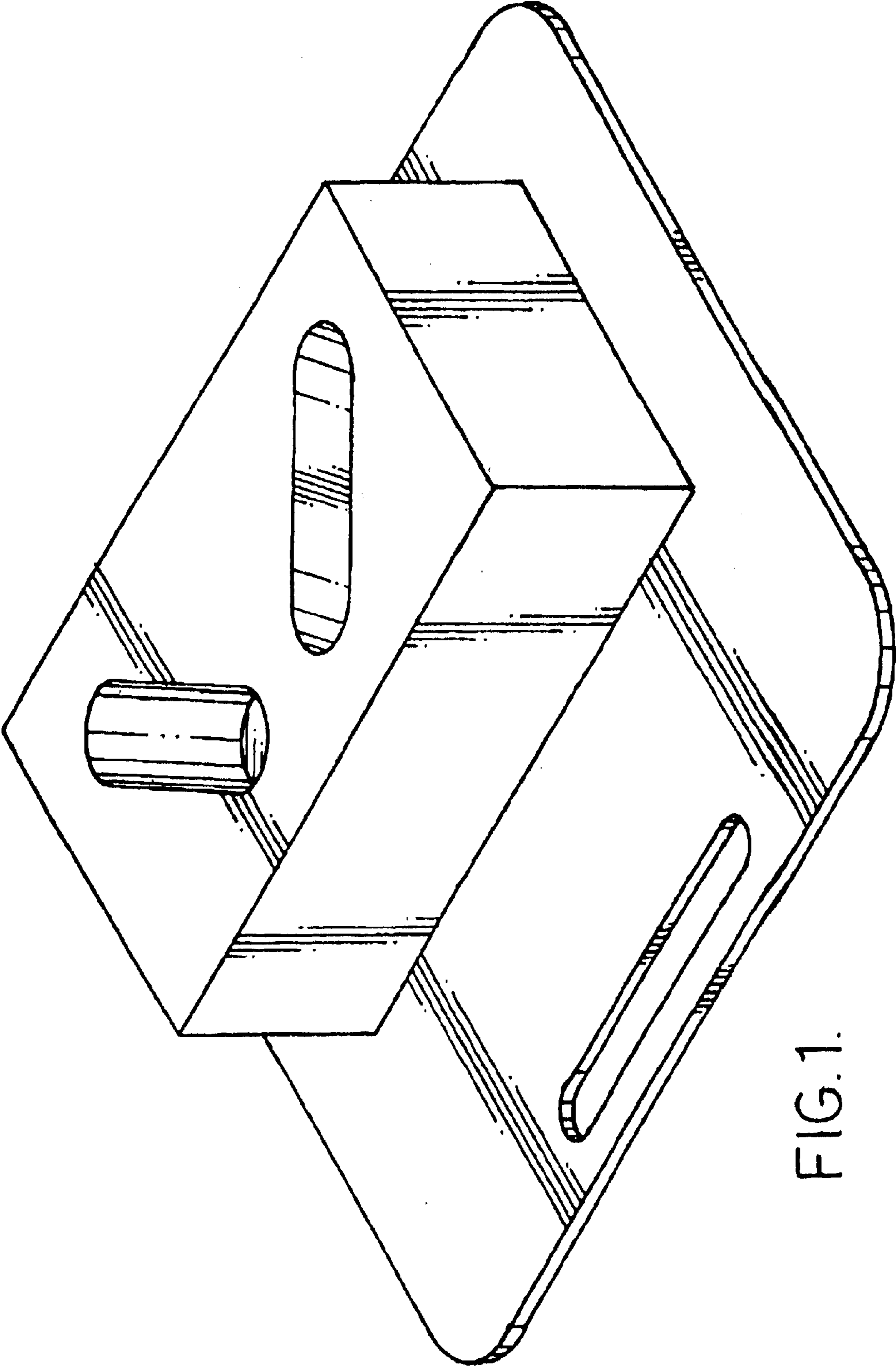


FIG.1.

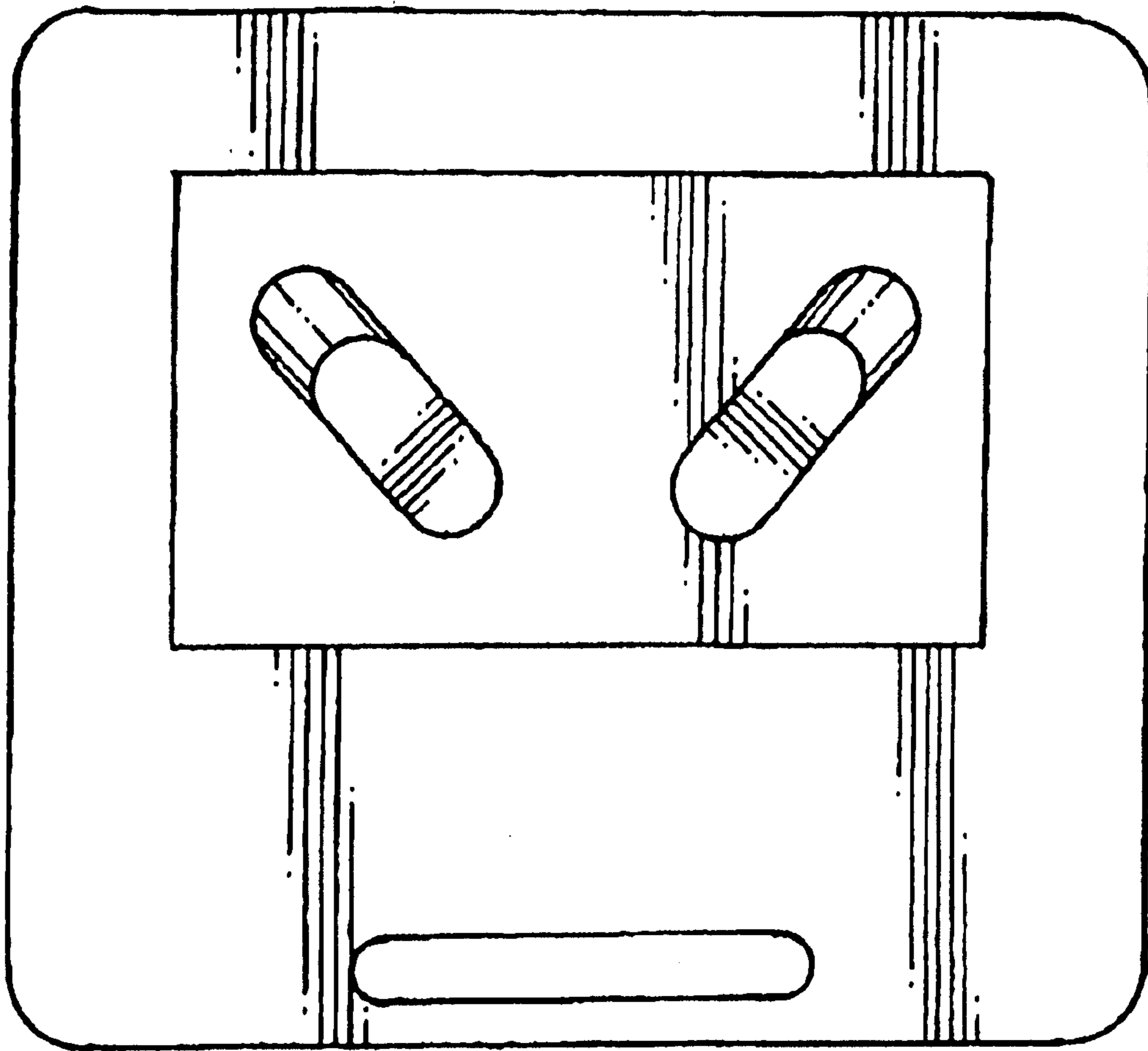


FIG. 4.

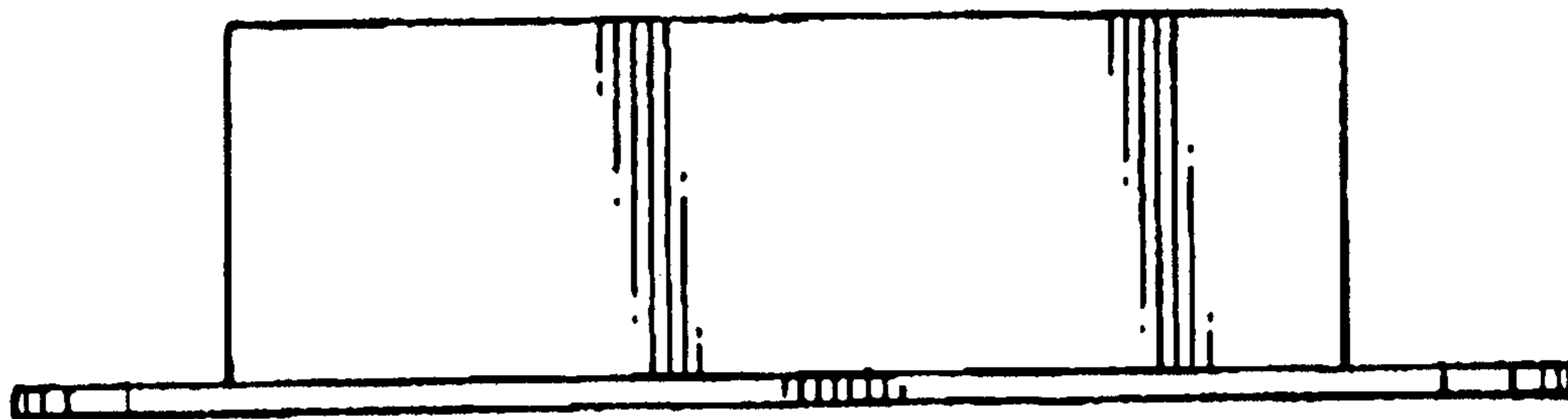


FIG. 2.

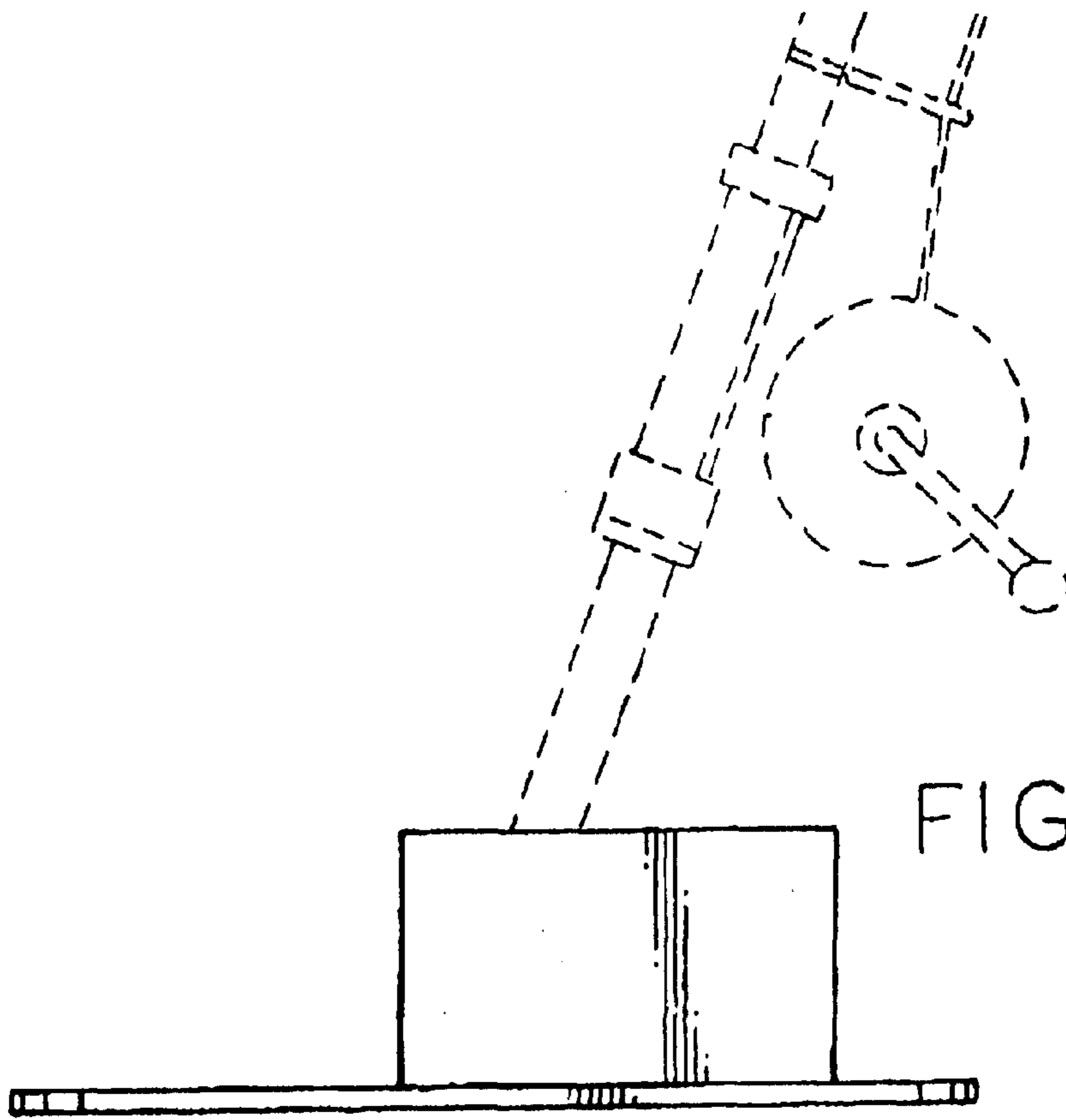


FIG. 3.

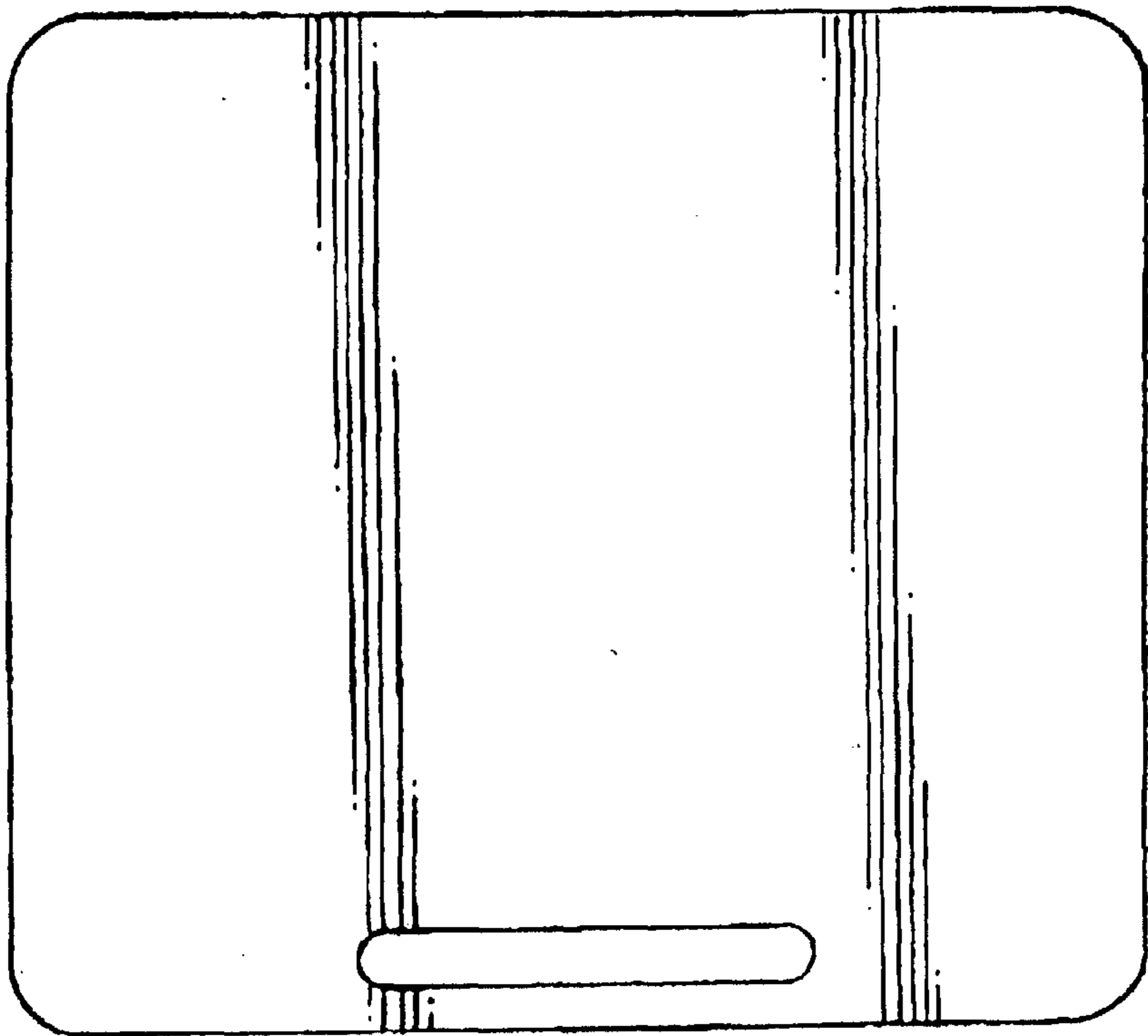


FIG. 5.