

US00D501909S

(12) **United States Design Patent** (10) **Patent No.:** **US D501,909 S**  
**Rae** (45) **Date of Patent:** **\*\* Feb. 15, 2005**

(54) **SWORD HANDLE**

(75) Inventor: **Kit Rae**, Kodak, TN (US)  
(73) Assignee: **United Cutlery Corporation**,  
Sevierville, TN (US)  
(\*\*) Term: **14 Years**  
(21) Appl. No.: **29/166,240**  
(22) Filed: **Aug. 22, 2002**  
(51) **LOC (7) Cl.** ..... **22-02**  
(52) **U.S. Cl.** ..... **D22/118**  
(58) **Field of Search** ..... D22/118, 117;  
D21/567, 568; 30/342, 295; D3/220

(56) **References Cited**

**U.S. PATENT DOCUMENTS**

D137,451 S	3/1944	Harstad	
D138,570 S	8/1944	Huff	D22/3
D156,070 S	11/1949	Brooks	D22/3
D170,824 S	11/1953	Kundikoff	D22/3
D221,335 S	* 8/1971	Clayton	D22/118
D222,934 S	2/1972	Cole	D22/2
D222,935 S	2/1972	Cole	D22/2
D222,937 S	2/1972	Cole	D22/2
D222,938 S	2/1972	Cole	D22/2
D225,527 S	12/1972	Cole	D22/2
4,608,757 A	9/1986	Eckerle	30/299
D299,375 S	1/1989	Pipes	D22/118
D302,455 S	7/1989	Hibben	D22/118
D323,694 S	2/1992	Pipes	D22/188
D325,616 S	* 4/1992	Kolombatovich	D22/118
D330,064 S	* 10/1992	Medina	D22/118
D333,173 S	2/1993	Pipes	D22/118
D336,126 S	6/1993	Luchak	D22/118
D348,599 S	7/1994	Sakai	D8/99
D348,818 S	7/1994	Hasegawa	D8/99
D351,210 S	10/1994	Koskinen	D22/118
D360,013 S	7/1995	Collins	D22/118
D360,241 S	7/1995	Choi	D21/145
D361,104 S	8/1995	Choi	D21/145
5,440,814 A	8/1995	Hall et al.	30/295

(List continued on next page.)

**OTHER PUBLICATIONS**

Museum Replicas Limited, *Horned Skull Sword*, p. 65 (1994).  
Agincourt, *Iberia Sword*, Item B, Cutlery Shoppe, p. 38 (1993).  
United Cutlery, *Double Shadow Fantasy Dagger*, p. 16, (1991).  
U.S. Cavalry Knives, 1994, p. 111, Catalog.  
The Noble Collection, Winter 1997/1998, Historic Daggers, No page listed, Catalog.  
United Cutlery Brands, Catalog # 42, 2002, pp. 7, 19, 21, 29-30, 33-35, 39-45 and 51-60.

*Primary Examiner*—Catherine R. Oliver  
(74) *Attorney, Agent, or Firm*—Pitts & Brittan, P.C.

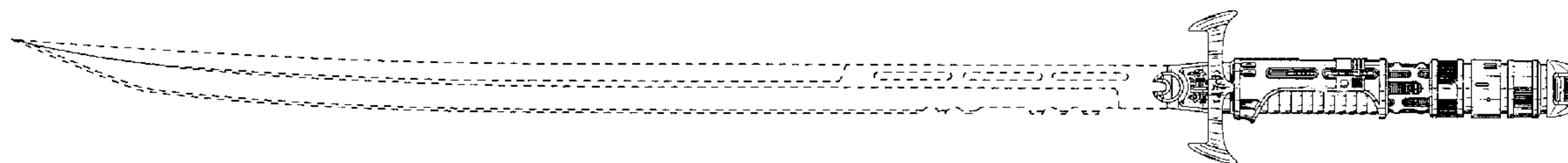
(57) **CLAIM**

The ornamental design for a sword handle, as shown and described.

**DESCRIPTION**

FIG. 1 is a left side elevational view of a sword showing a sword handle of the present invention connected to a sword blade, the sword blade depicted in phantom lines which forms no part of the claimed design for this invention;  
FIG. 2 is a right side elevational view of the sword of FIG. 1;  
FIG. 3 is an enlarged left side elevational view of the sword handle;  
FIG. 4 is a right side elevational view of the sword handle of FIG. 3;  
FIG. 5 is a front elevational view of the sword handle of FIG. 3;  
FIG. 6 is a rear elevational view of the sword handle of FIG. 3;  
FIG. 7 is a top plan view of the sword handle of FIG. 3; and,  
FIG. 8 is a bottom plan view of the sword handle of FIG. 3.  
The broken lines shown are for illustrative purposes only and form no part of the claimed design.

**1 Claim, 7 Drawing Sheets**



# US D501,909 S

Page 2

---

## U.S. PATENT DOCUMENTS

D362,485 S	9/1995	Hall .....	D22/118	D406,308 S	3/1999	Hibben .....	D22/118
D363,109 S	10/1995	Hall .....	D22/118	D409,269 S	5/1999	Carson et al. ....	D22/118
D371,060 S	6/1996	Lai .....	D8/107	D430,258 S	8/2000	Hall et al. ....	D22/118
D371,592 S	7/1996	Hall et al. ....	D22/118	D430,917 S	9/2000	Hall et al. ....	D22/118
D375,779 S	11/1996	Hibben .....	D22/118	D434,466 S	11/2000	Hall et al. ....	D22/118
D379,211 S	5/1997	Thompson .....	D22/118	D448,828 S	10/2001	Karnezis .....	D22/118
D379,488 S	5/1997	Hibben .....	D22/118	D451,571 S	12/2001	Barker, II .....	D22/118
D380,520 S	7/1997	Hibben .....	D22/118	D451,572 S	12/2001	Barker, II .....	D22/118
D381,060 S	7/1997	Moran .....	D22/118	D452,546 S	* 12/2001	Barker, II .....	D22/118
D382,187 S	8/1997	Hibben .....	D8/76	D452,547 S	12/2001	Barker, II .....	D22/118
D383,519 S	9/1997	Lainhart .....	D22/118	D452,895 S	1/2002	Rae et al. ....	D22/118
D388,150 S	12/1997	Glesser .....	D22/118	D461,217 S	8/2002	Hall et al. ....	D22/118
D398,211 S	9/1998	Howard .....	D8/98	D461,868 S	8/2002	Hall et al. ....	D22/118

\* cited by examiner

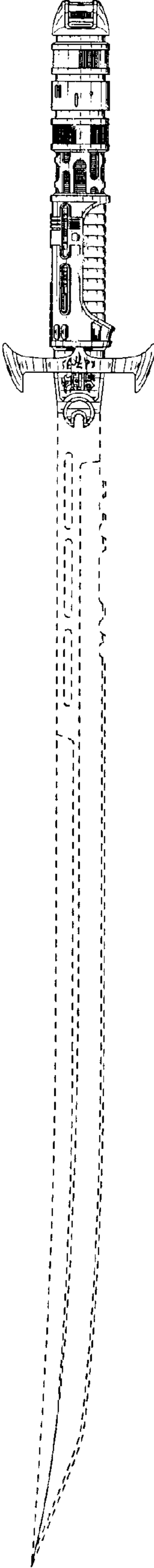


FIG. 1

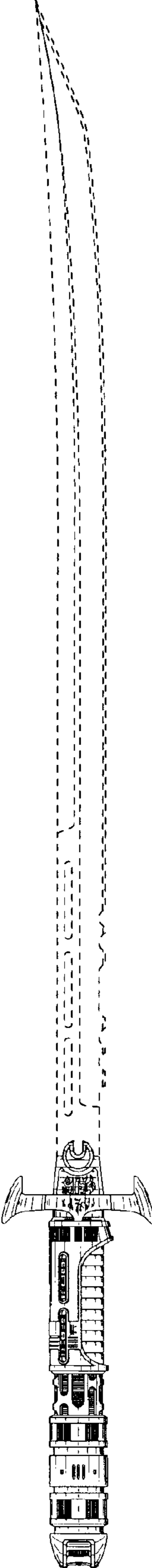


FIG. 2

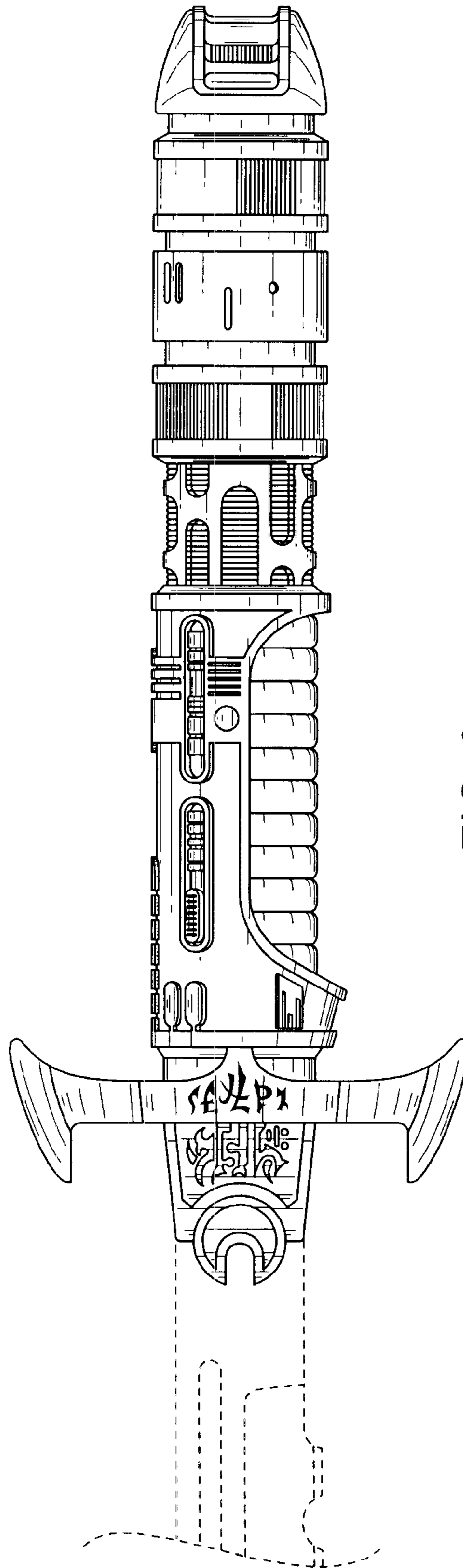


FIG. 3

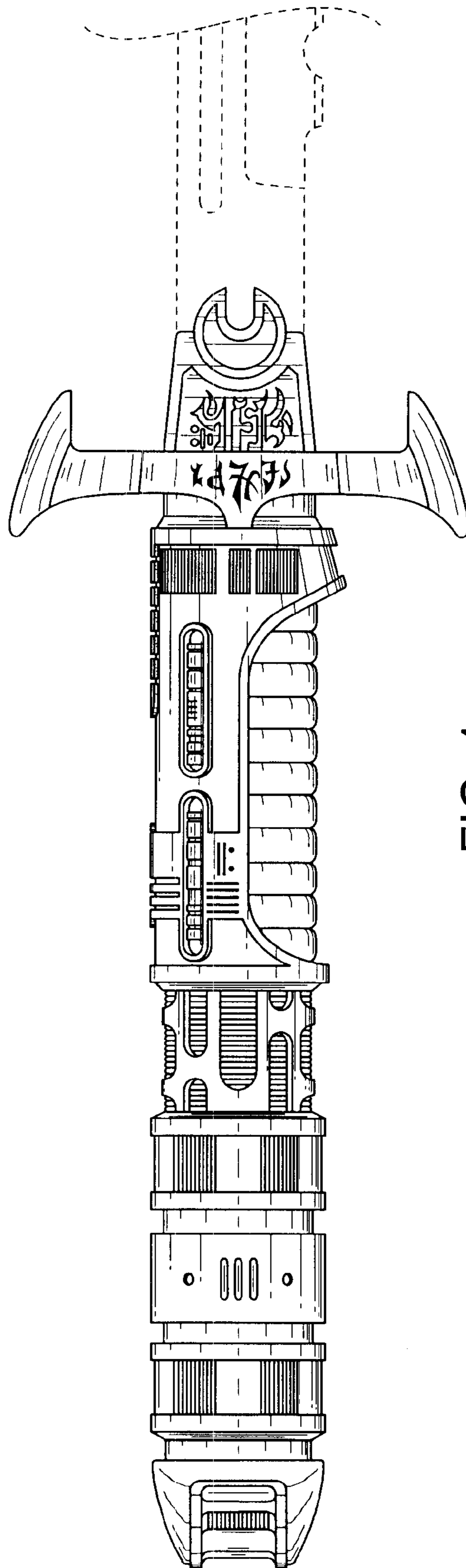


FIG. 4

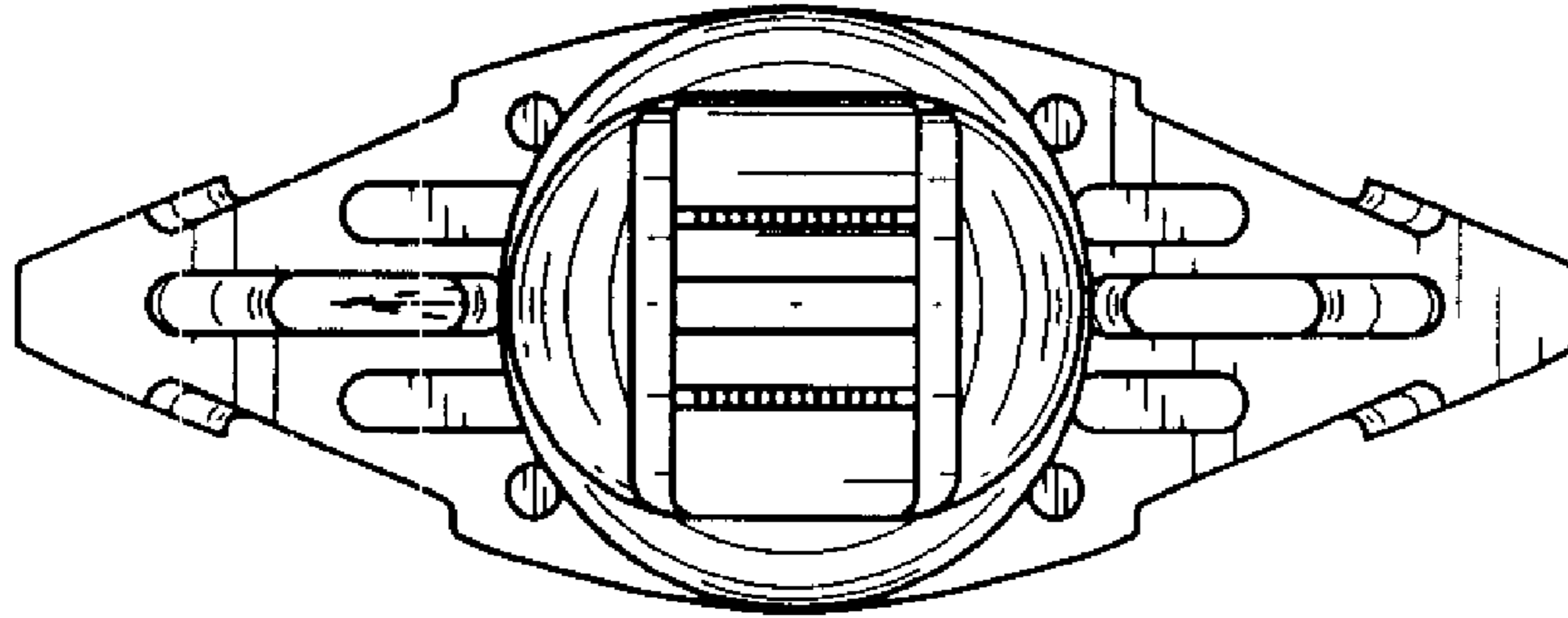


FIG. 6

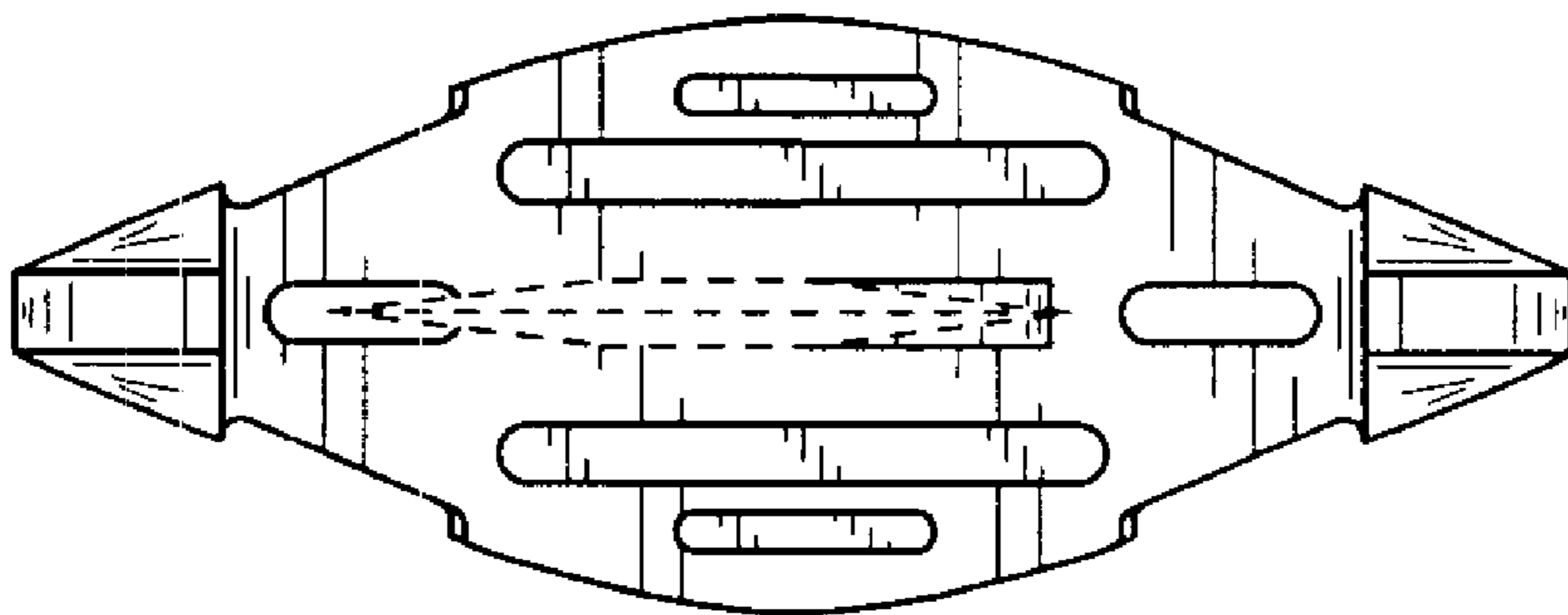


FIG. 5

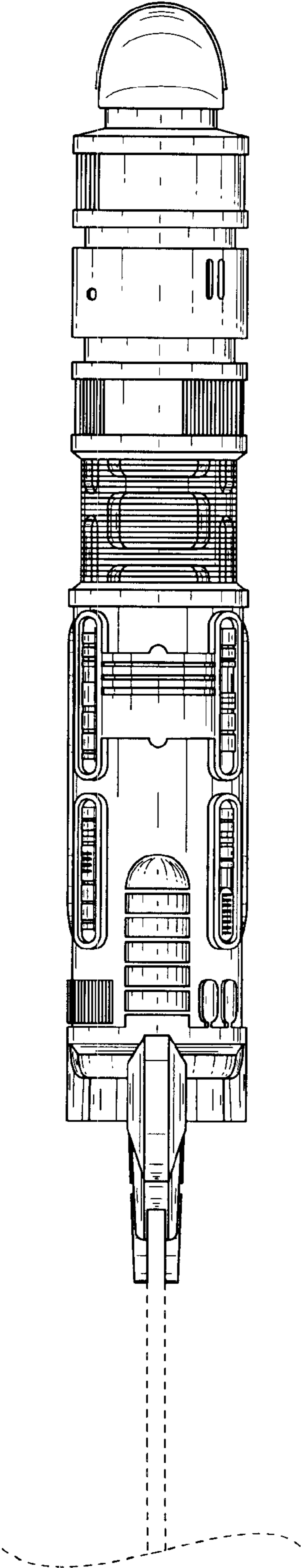


FIG. 7



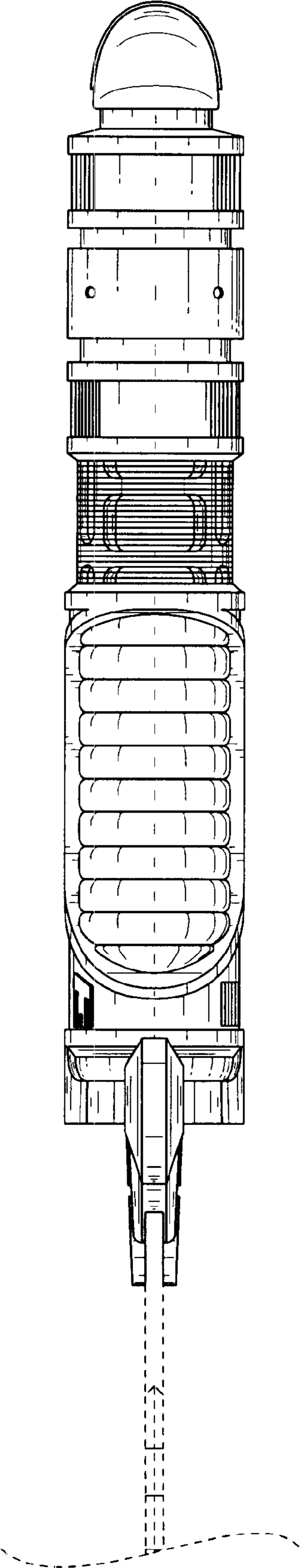


FIG. 8