

US00D501906S

(12) **United States Design Patent**
Woods

(10) **Patent No.: US D501,906 S**

(45) **Date of Patent: ** Feb. 15, 2005**

(54) **EMERGENCY RESCUE VEST**

(76) **Inventor: Jo Ann Woods**, 21647 Stratford Ct.,
Oak Park, MI (US) 48237

(**) **Term: 14 Years**

(21) **Appl. No.: 29/186,991**

(22) **Filed: Jul. 28, 2003**

(51) **LOC (7) Cl. 29-02**

(52) **U.S. Cl. D21/805; D29/100; D29/101.4;**
D29/124

(58) **Field of Search D29/100, 101.1-101.5,**
D29/124; D21/804, 805; 441/89, 106-119;
D2/829; 2/458, 457, 462-465, 467, 908,
913

(56) **References Cited**

U.S. PATENT DOCUMENTS

3,621,501 A	11/1971	Jordan	
D228,811 S	* 10/1973	Maxey D21/805
3,798,692 A	* 3/1974	Madeley 441/89
D259,146 S	* 5/1981	Carr, Jr. D29/101.4
D270,109 S	* 8/1983	Bluemel D29/101.1
4,547,165 A	* 10/1985	Scheurer et al. 441/112

4,598,661 A	* 7/1986	Roe 116/209
D294,515 S	* 3/1988	Gercken D21/805
D300,548 S	* 4/1989	Steger D21/805
5,326,297 A	7/1994	Loughlin	
5,370,566 A	12/1994	Mitchell, Jr. et al.	
5,690,413 A	11/1997	Coughlin	
D388,493 S	* 12/1997	Summers D21/805
6,062,929 A	5/2000	Hallstrom	
D459,780 S	7/2002	Walden	

* cited by examiner

Primary Examiner—Lucy Lieberman

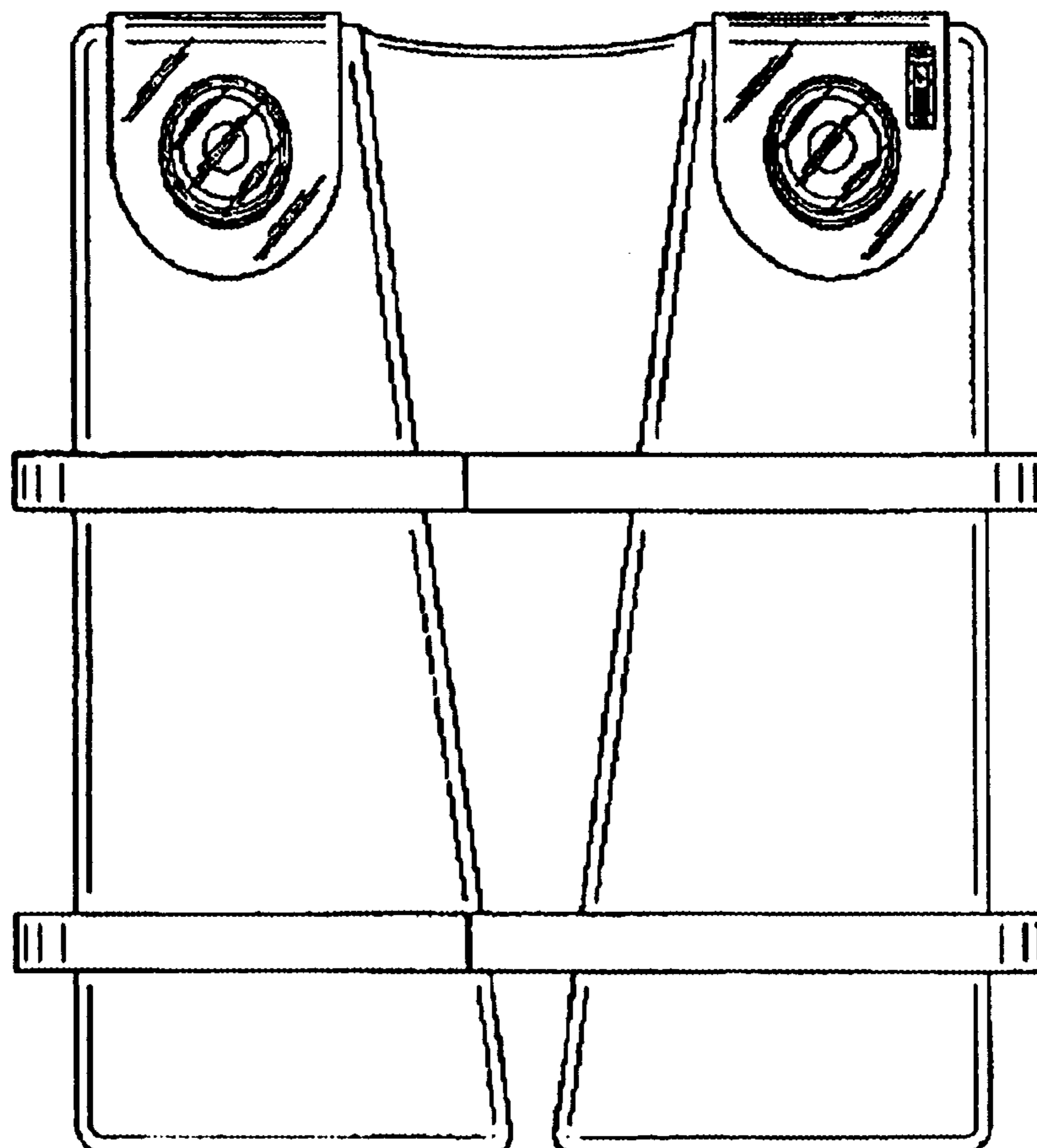
(57) **CLAIM**

The ornamental design for an emergency rescue vest, as shown and described.

DESCRIPTION

FIG. 1 is a front elevational view of an emergency rescue vest showing my new design;
FIG. 2 is a rear elevational view thereof;
FIG. 3 is a right side elevational view thereof;
FIG. 4 is a left side elevational view thereof;
FIG. 5 is a top plan view thereof; and,
FIG. 6 is a bottom plan view thereof.

1 Claim, 2 Drawing Sheets



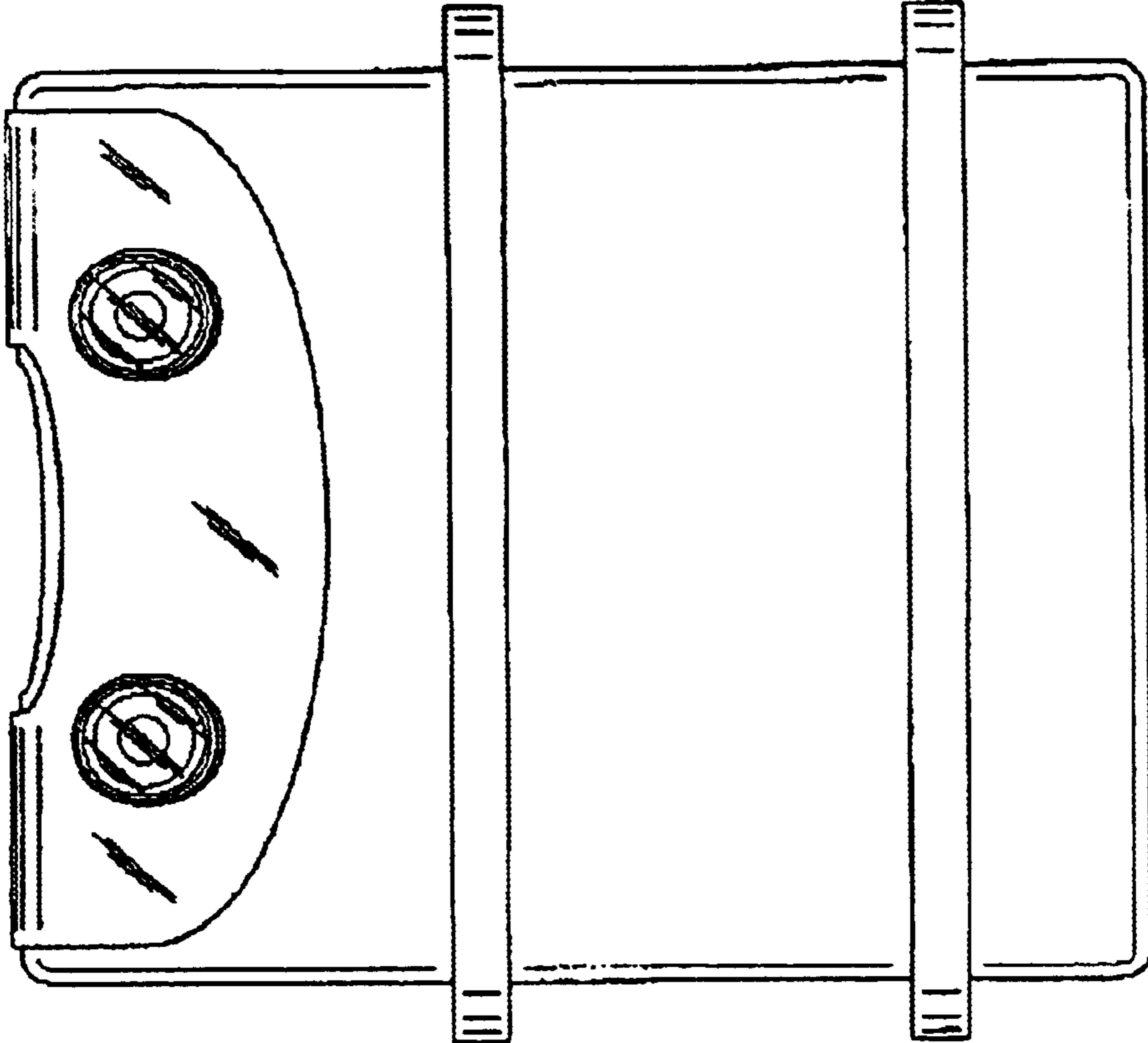


FIG. 2

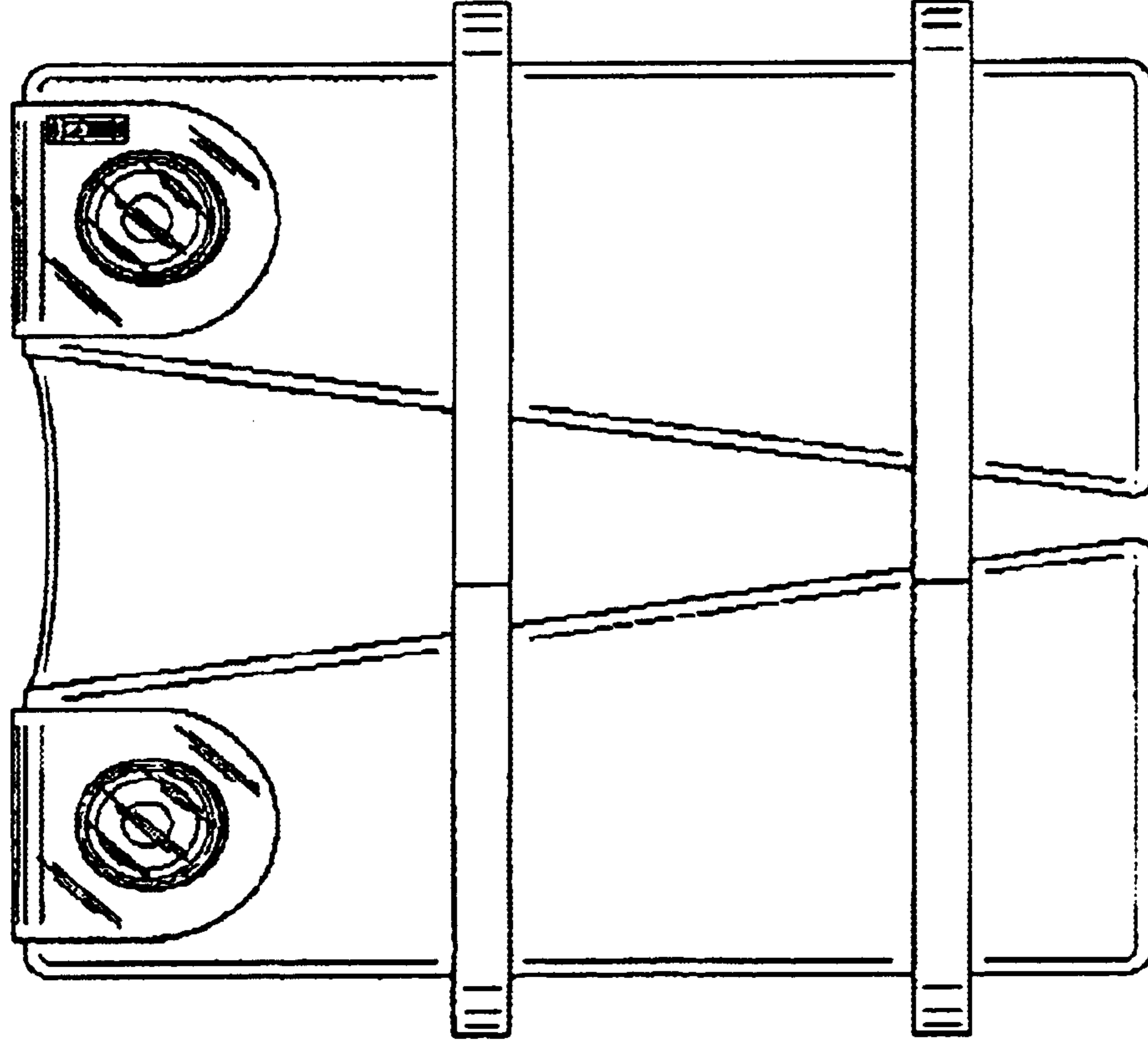


FIG. 1

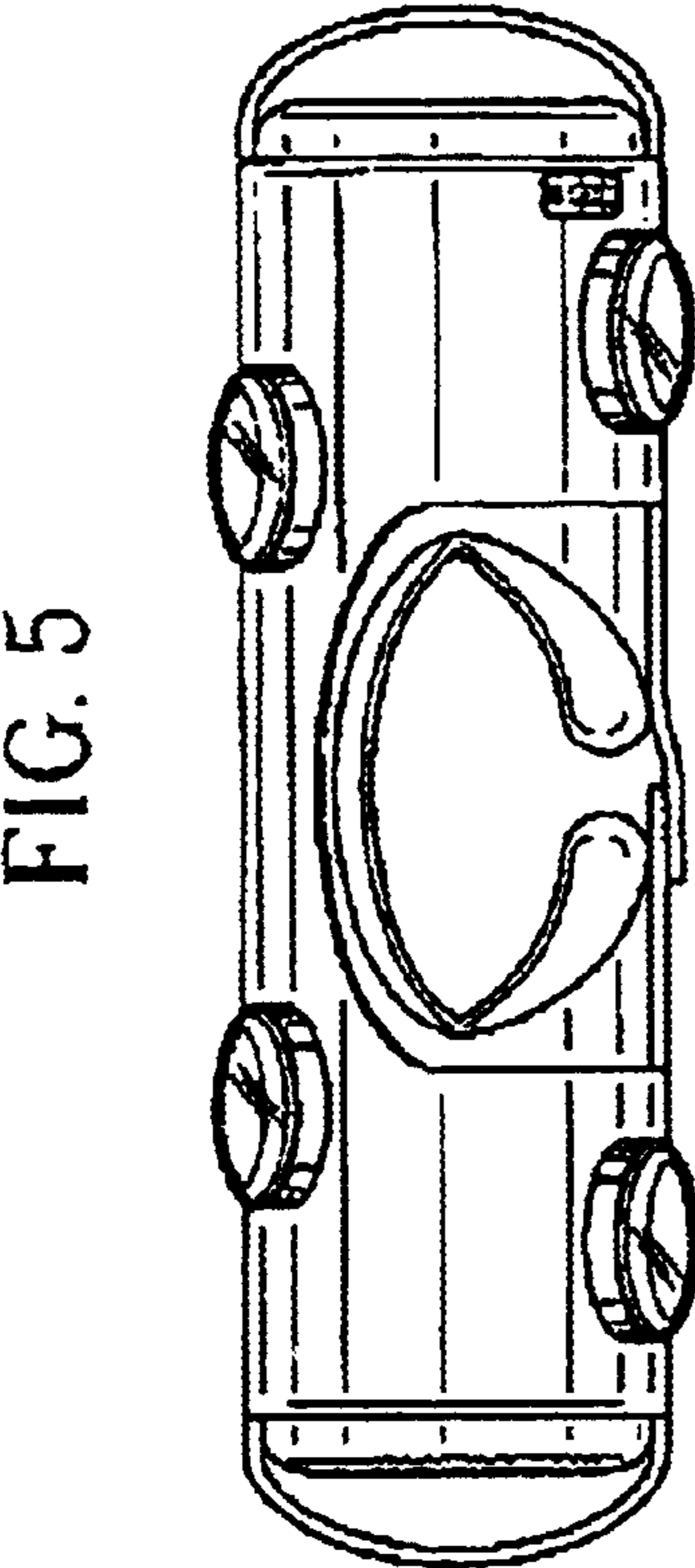


FIG. 5

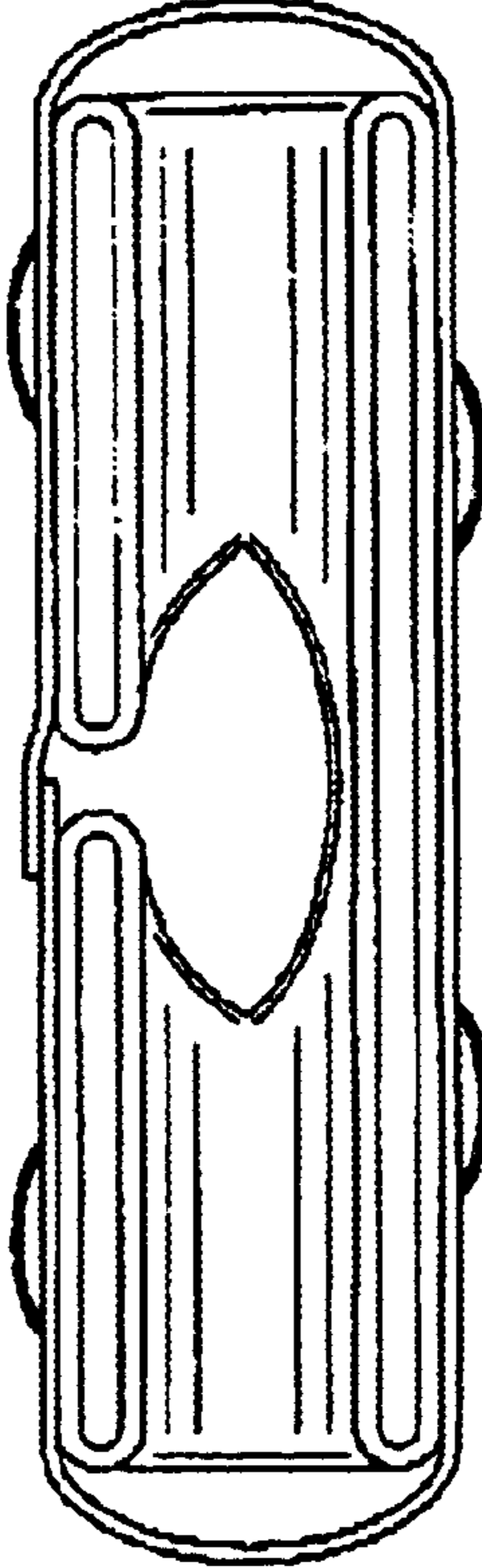


FIG. 6

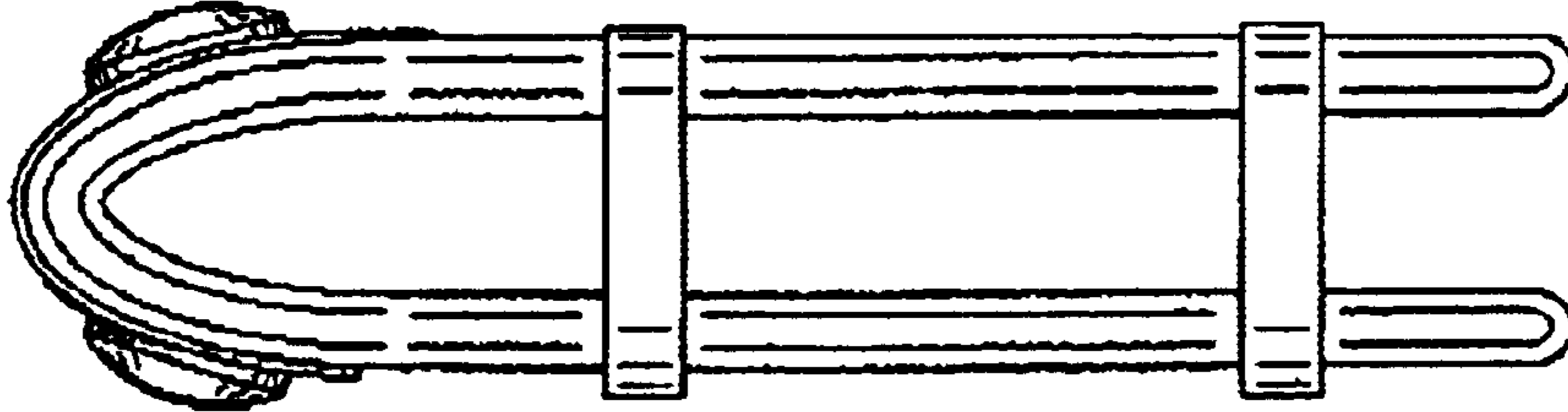


FIG. 4

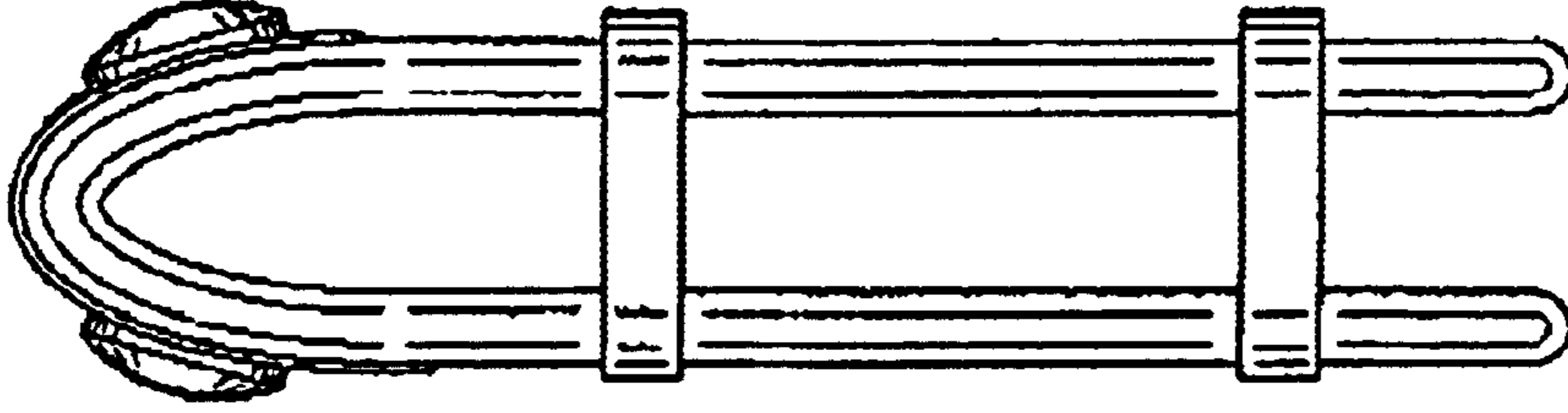


FIG. 3