

US00D501905S

(12) **United States Design Patent**
Ellis

(10) **Patent No.:** **US D501,905 S**
(45) **Date of Patent:** **** Feb. 15, 2005**

(54) **PRACTICE DEVICE TO ENABLE CHILDREN TO SIMULATE SKATEBOARDING**

6,431,733 B2 * 8/2002 Seifert et al. 280/87.042
6,460,868 B2 * 10/2002 Madrid 280/87.042
6,648,363 B2 * 11/2003 Gordon 280/87.042

(76) **Inventor:** **Robert Gary Ellis**, 19543 Grandview Dr., Topanga, CA (US) 90290

* cited by examiner

(**) **Term:** **14 Years**

Primary Examiner—Raphael Barkai
(74) *Attorney, Agent, or Firm*—Thomas I. Rozsa; Tony D. Chen

(21) **Appl. No.:** **29/185,867**

(57) **CLAIM**

(22) **Filed:** **Jul. 2, 2003**

The ornamental design for a practice device to enable children to simulate skateboarding, as shown and described.

(51) **LOC (7) Cl.** **21-02**

(52) **U.S. Cl.** **D21/765; D21/760**

(58) **Field of Search** D21/760-771;
280/87.01, 87.041-87.042

DESCRIPTION

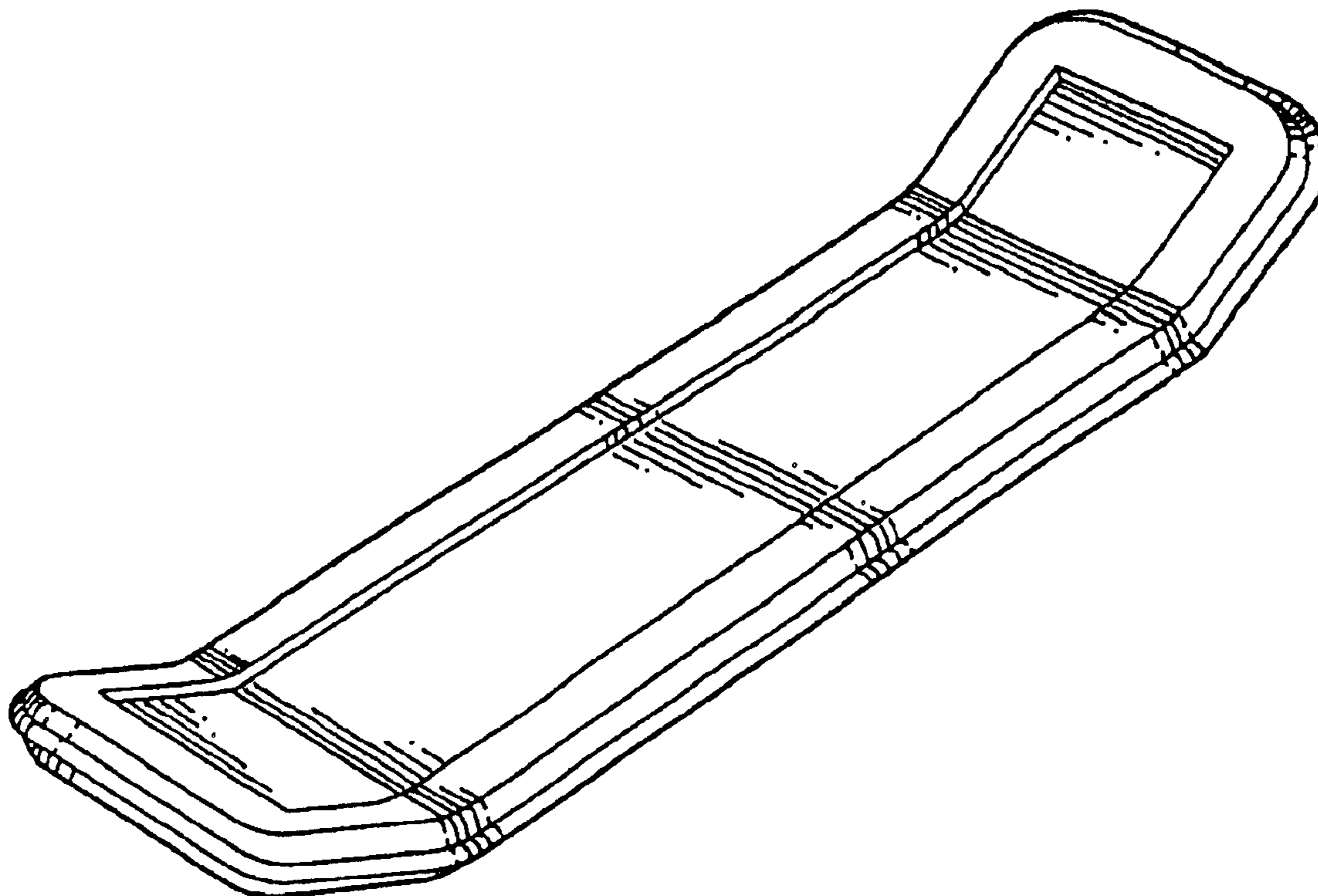
(56) **References Cited**

U.S. PATENT DOCUMENTS

D314,601	S	*	2/1991	Floreani	D21/766
5,803,473	A	*	9/1998	Bouden	280/87.042
D412,351	S	*	7/1999	Gambs	D21/765
6,196,558	B1	*	3/2001	Simon	280/14.22
6,267,394	B1	*	7/2001	Bouden	280/87.042
6,273,440	B1	*	8/2001	Wilson	280/87.042
D448,441	S	*	9/2001	Wolf	D21/769
6,290,249	B1	*	9/2001	Wolf	280/87.042
D457,587	S	*	5/2002	Wolf	D21/760

FIG. 1 is a perspective view of a practice device to enable children to simulate skateboarding, showing my new design; FIG. 2 is a top plan view thereof; FIG. 3 is bottom plan view thereof; FIG. 4 is a side elevational view thereof as viewed from the left side; FIG. 5 is a side elevational view thereof as viewed from the right side; FIG. 6 is a front elevational view thereof; and, FIG. 7 is a rear elevational view thereof, showing my new design.

1 Claim, 1 Drawing Sheet



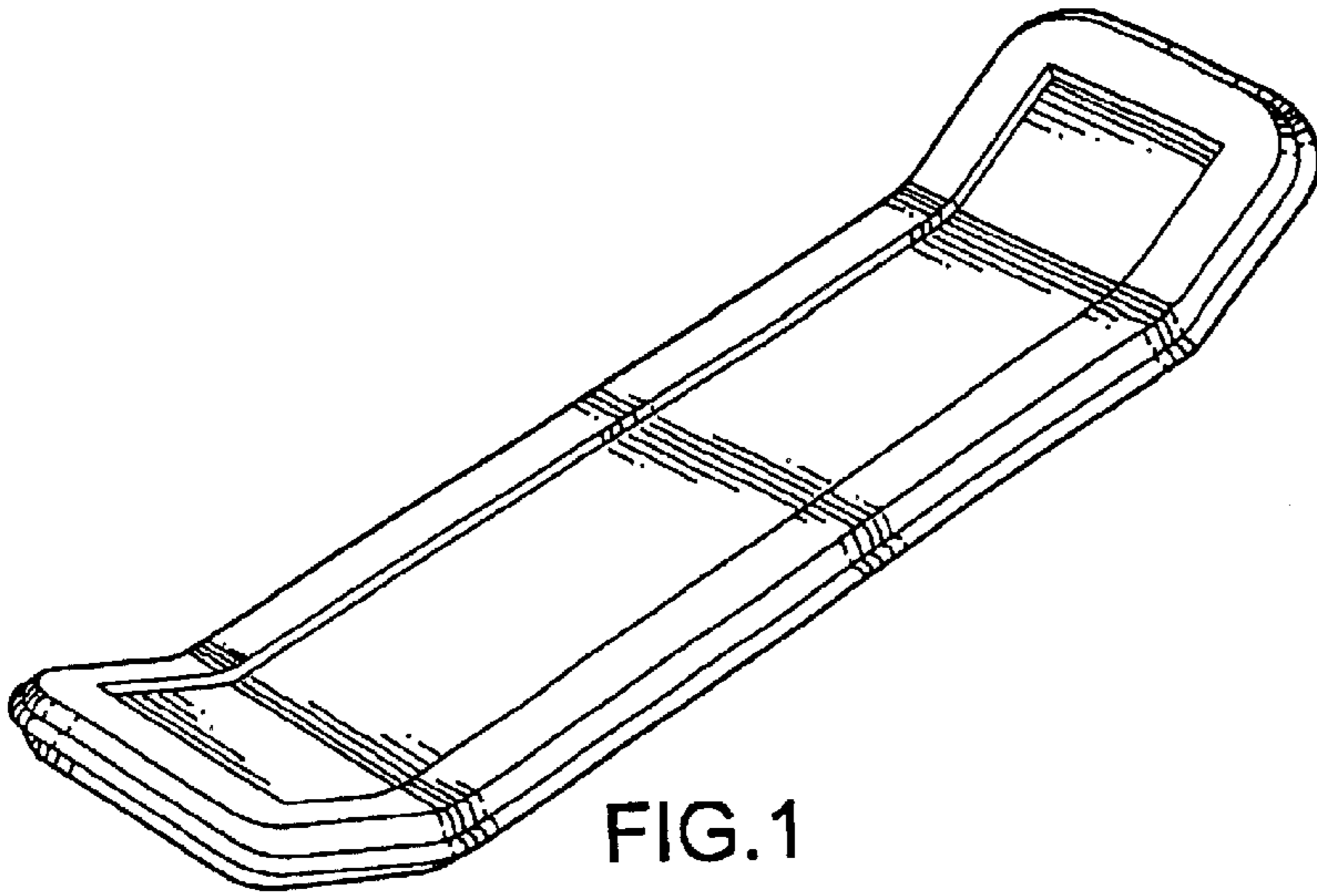


FIG. 1

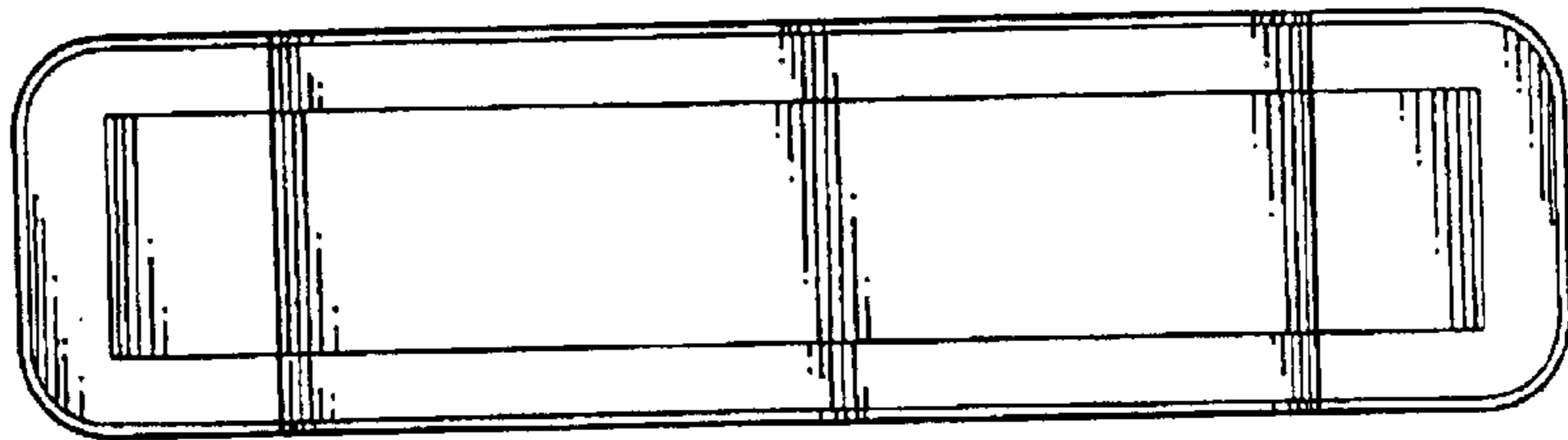


FIG. 2

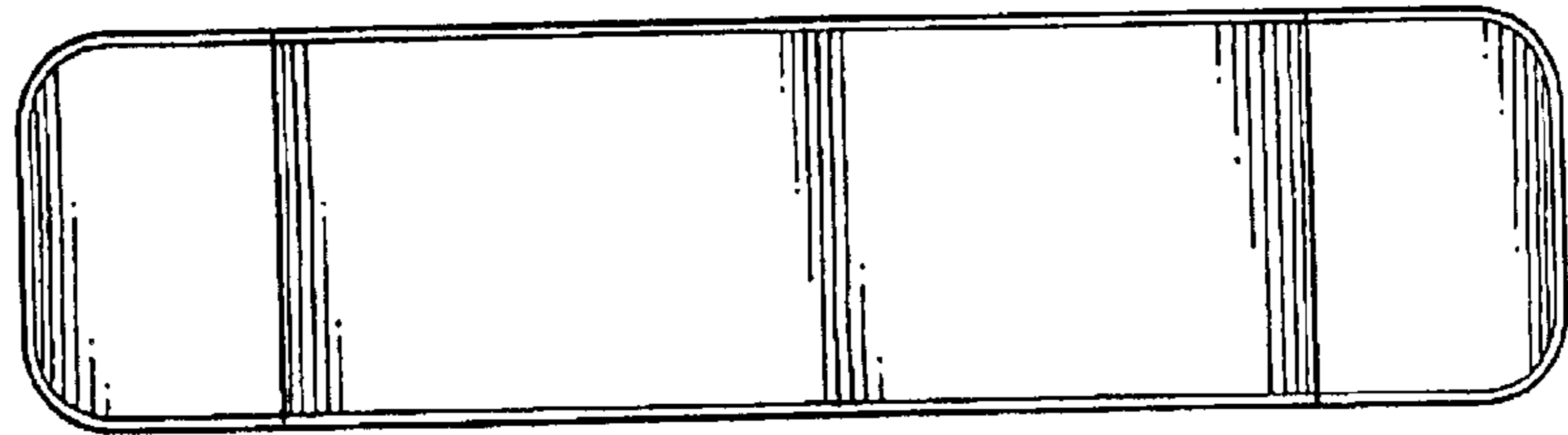


FIG. 3

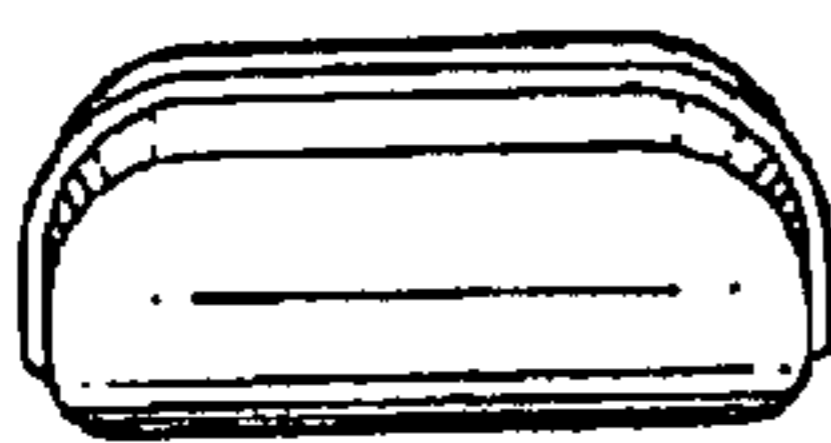


FIG. 6

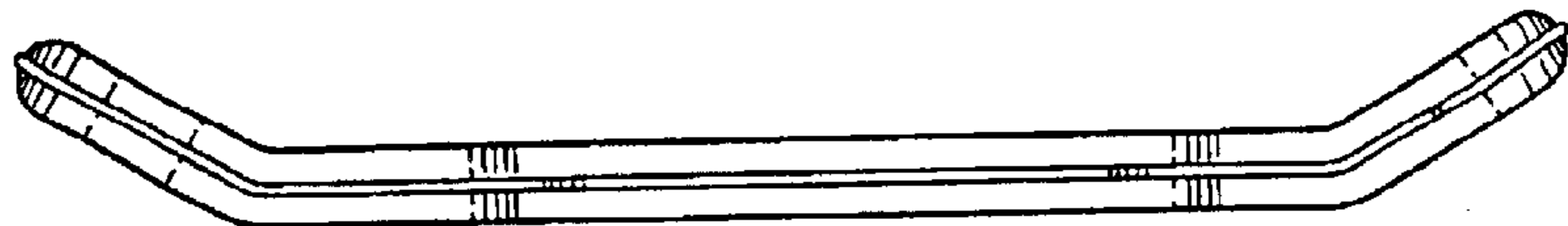


FIG. 4

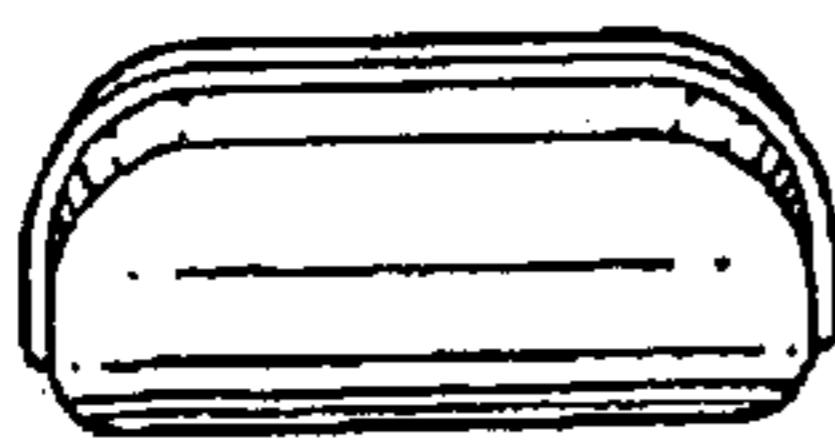


FIG. 7

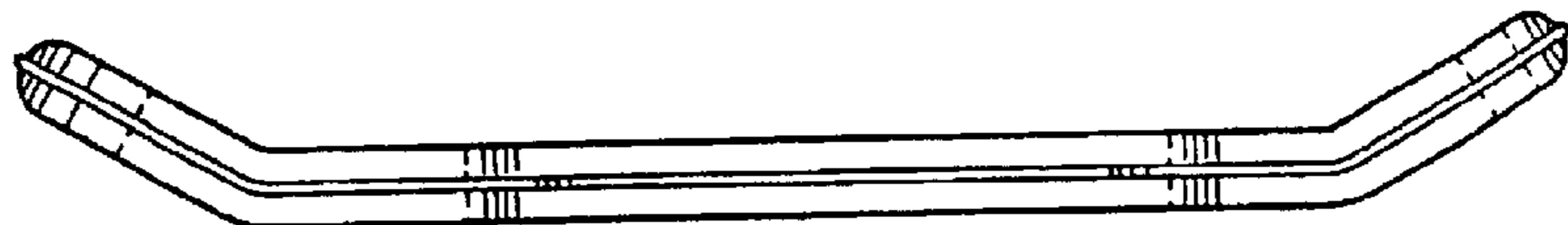


FIG. 5