

US00D501895S

(12) **United States Design Patent**  
**Lennon et al.**

(10) **Patent No.: US D501,895 S**

(45) **Date of Patent: \*\* \*Feb. 15, 2005**

(54) **STRUCTURAL ALIGNMENT PUZZLE**

(76) Inventors: **Matthew F. Lennon**, 3873 Evelyn Dr.,  
Wilmington, DE (US) 19808; **Patricia A. Lennon**, 3873 Evelyn Dr.,  
Wilmington, DE (US) 19808

(\*) Notice: This patent is subject to a terminal disclaimer.

(\*\*) Term: **14 Years**

(21) Appl. No.: **29/164,063**

(22) Filed: **Jul. 16, 2002**

**Related U.S. Application Data**

(63) Continuation-in-part of application No. 29/149,253, filed on Oct. 5, 2001, now Pat. No. Des. 464,681.

(51) **LOC (7) Cl.** ..... **21-01**

(52) **U.S. Cl.** ..... **D21/479**

(58) **Field of Search** ..... D21/478, 479;  
273/153 R, 156, 160, 157 R

(56) **References Cited**

**U.S. PATENT DOCUMENTS**

D230,874 S \* 3/1974 Baynes ..... D21/479  
3,813,841 A \* 6/1974 Tsurumi ..... 273/160  
D302,709 S \* 8/1989 Thompson ..... D21/478

D307,452 S \* 4/1990 Laubscher ..... D21/479  
D375,329 S \* 11/1996 Lennon et al. .... D21/479  
D397,378 S \* 8/1998 Lennon et al. .... D21/479  
D464,681 S \* 10/2002 Lennon et al. .... D21/479

\* cited by examiner

*Primary Examiner*—Dominic Simone

(74) *Attorney, Agent, or Firm*—Stradley Ronon Stevens & Young, LLP

(57) **CLAIM**

The ornamental design for a structural alignment puzzle, as shown and described.

**DESCRIPTION**

FIG. 1 is a right side view of the structural alignment puzzle; FIG. 2 is a left side view of the structural alignment puzzle; FIG. 3 is a back view of the structural alignment puzzle; FIG. 4 is a top view of the structural alignment puzzle; FIG. 5 is a bottom view of the structural alignment puzzle; FIG. 6 is a front view of the structural alignment puzzle; FIG. 7 is a back perspective view of the structural alignment puzzle; FIG. 8 is a back perspective view of the structural alignment puzzle with certain puzzle elements removed; and, FIG. 9 is an exploded view of the structural alignment puzzle.

**1 Claim, 5 Drawing Sheets**

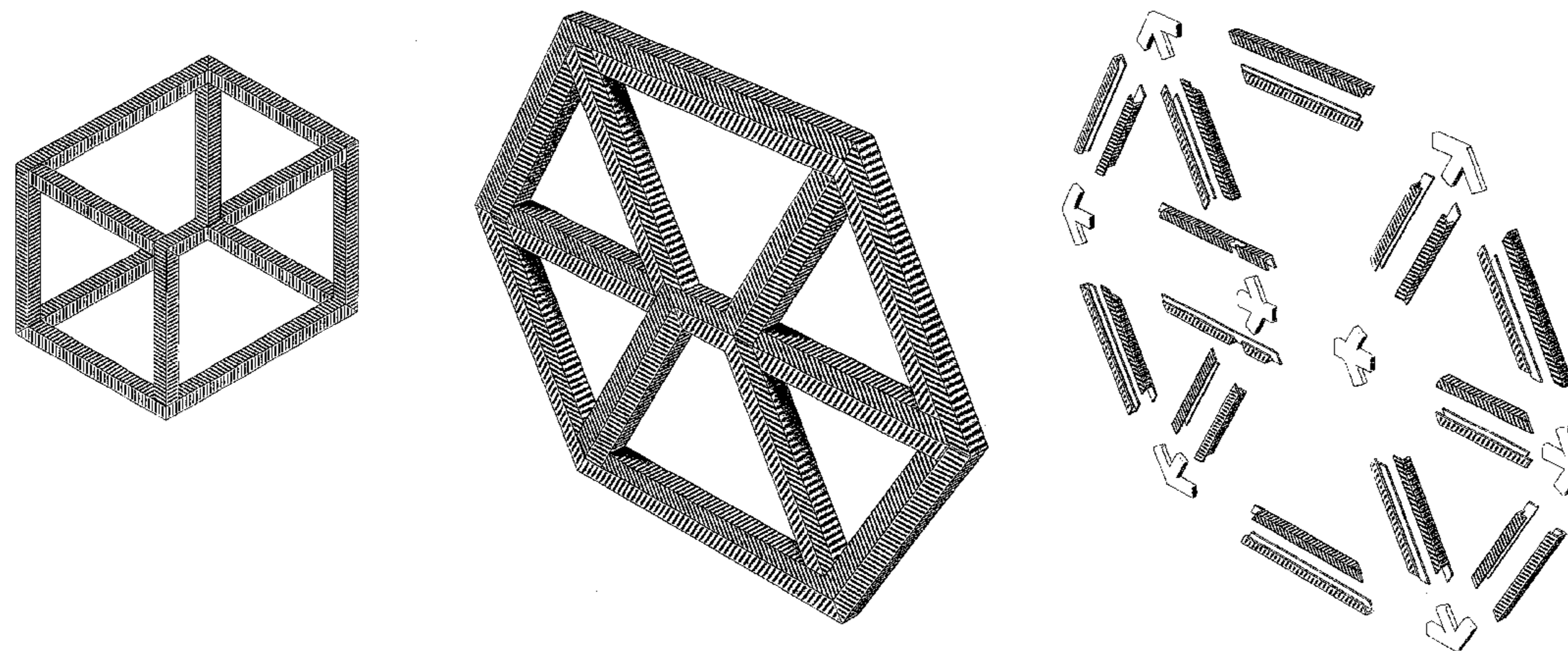




FIG. 1



FIG. 2

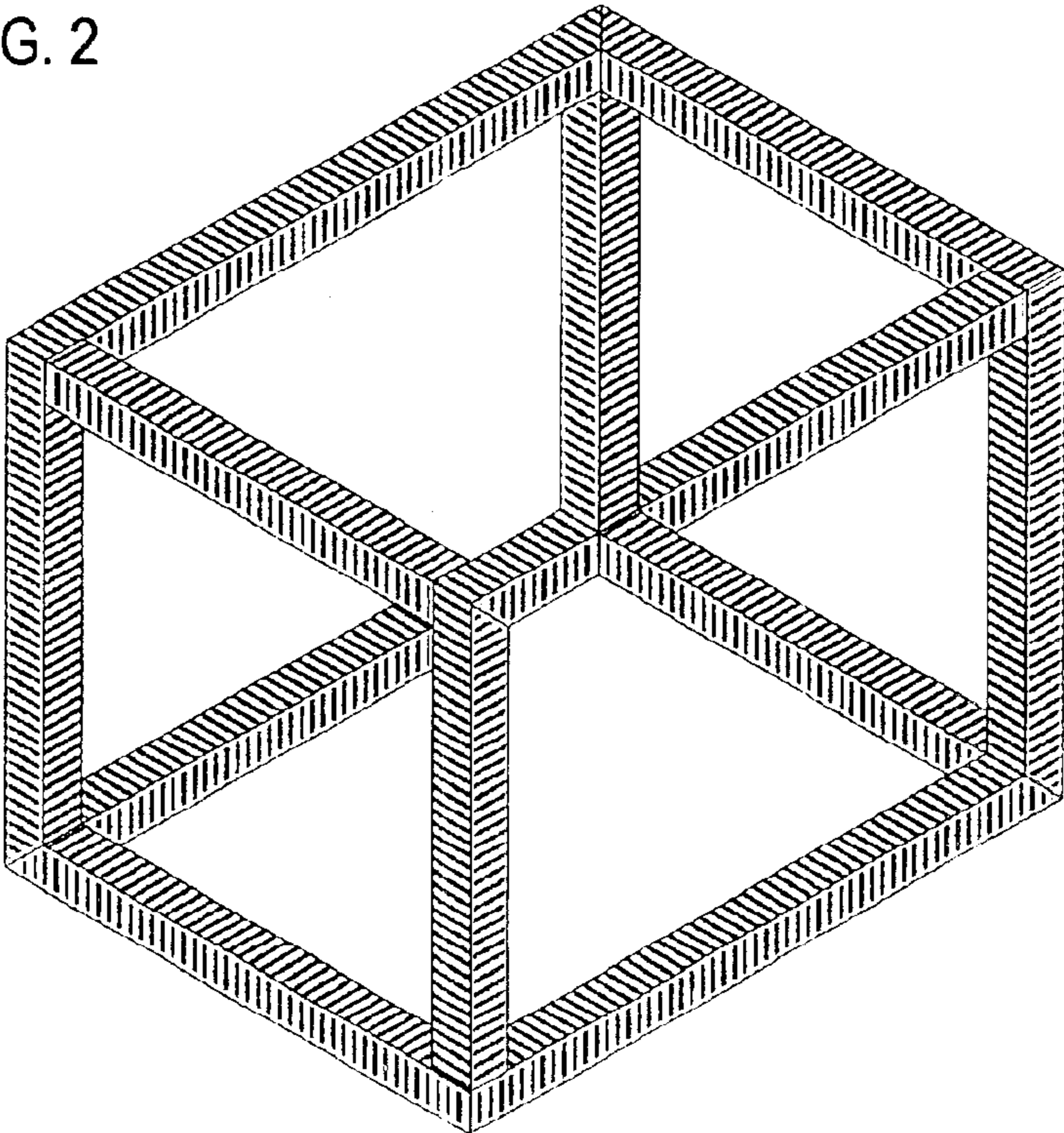


FIG. 3





FIG. 4



FIG. 5

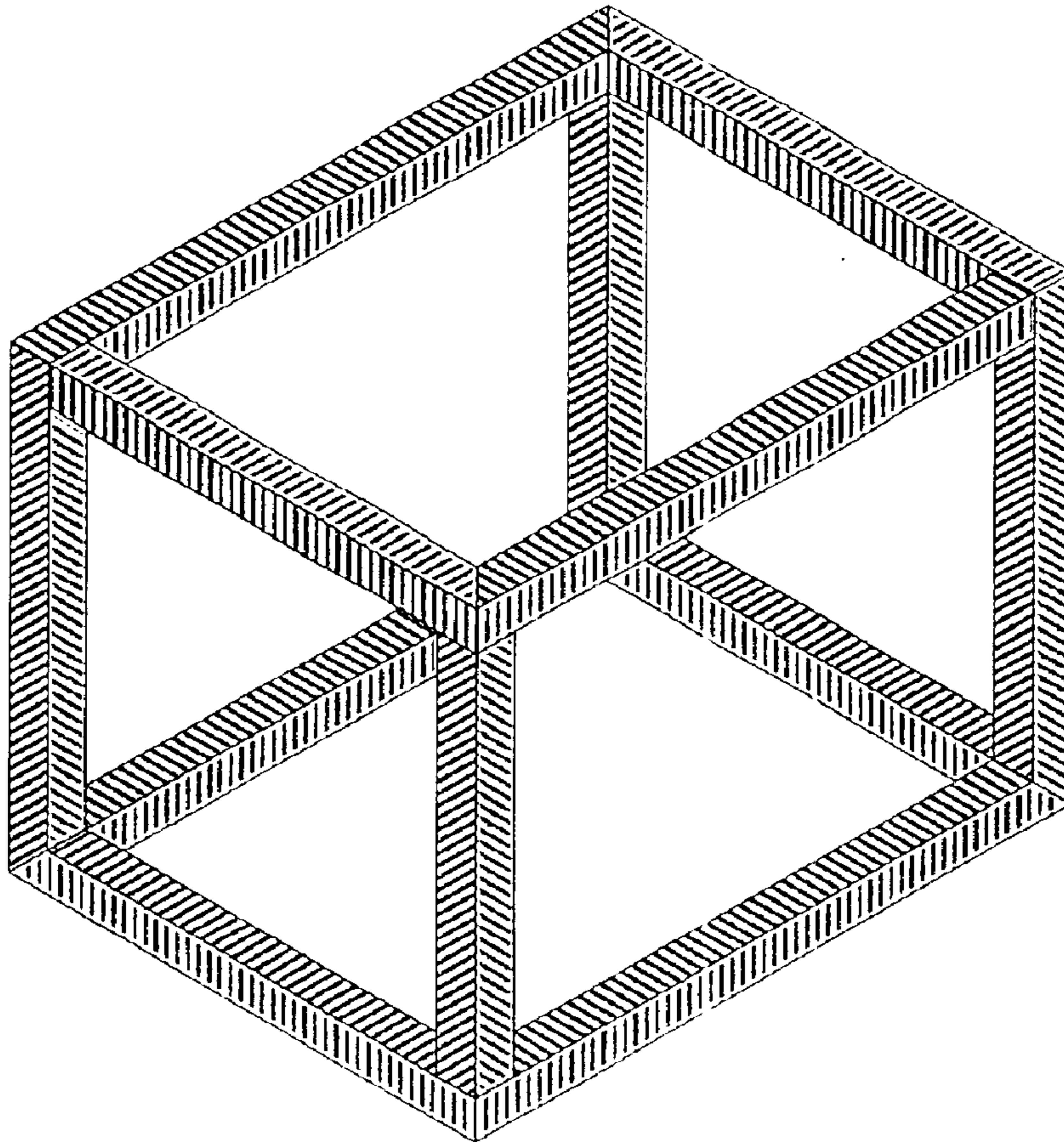


FIG. 6

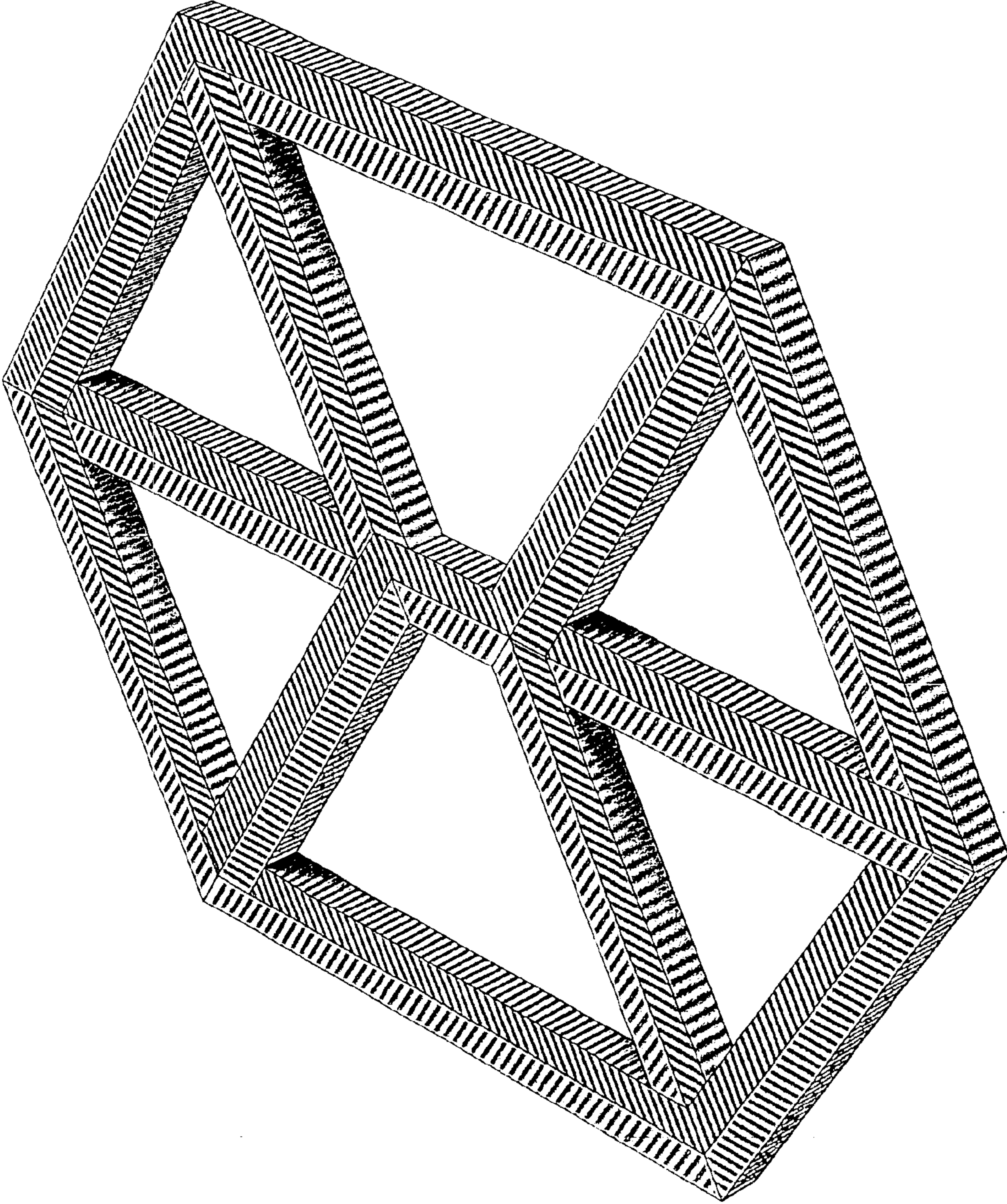


FIG. 7



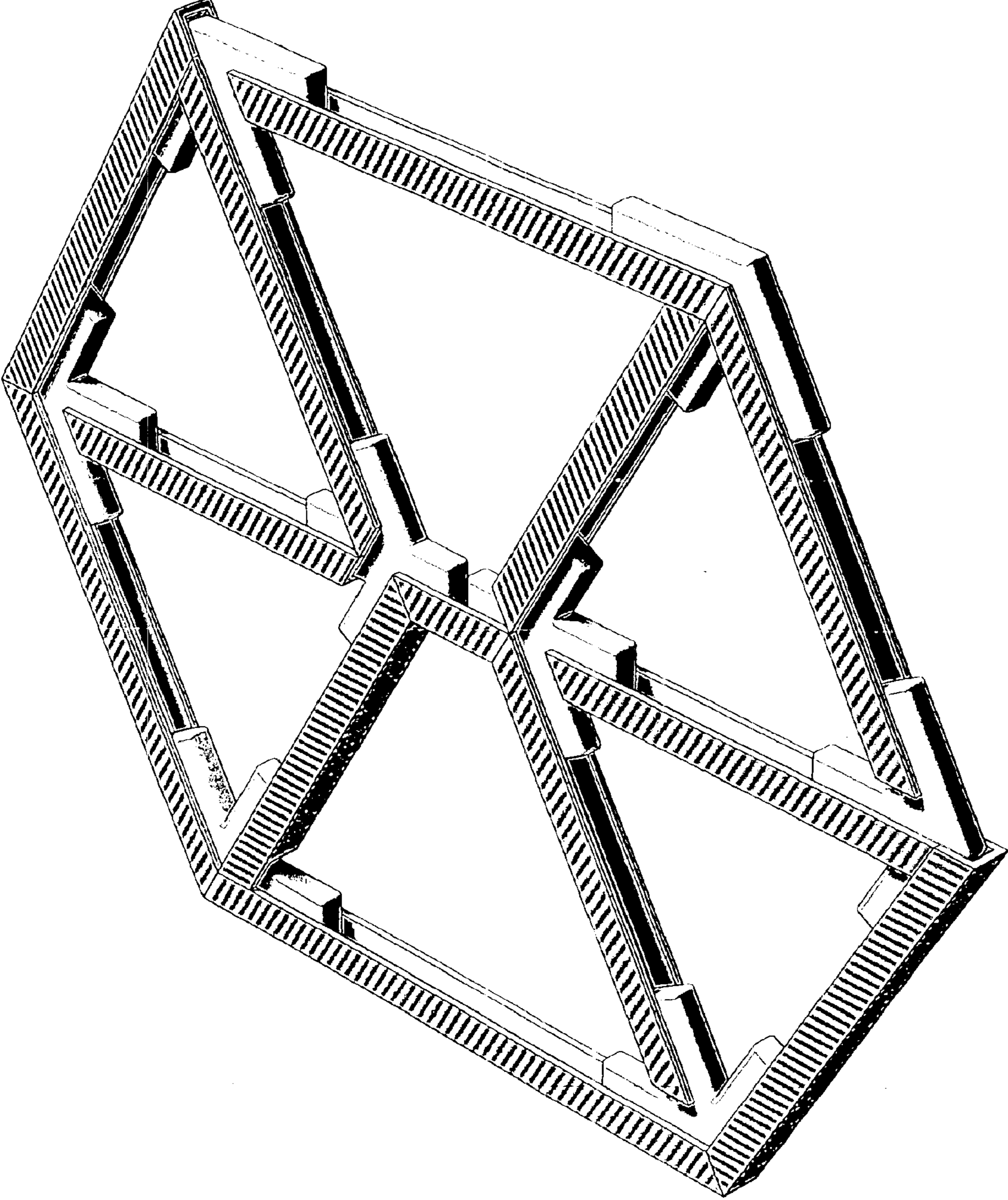


FIG. 8

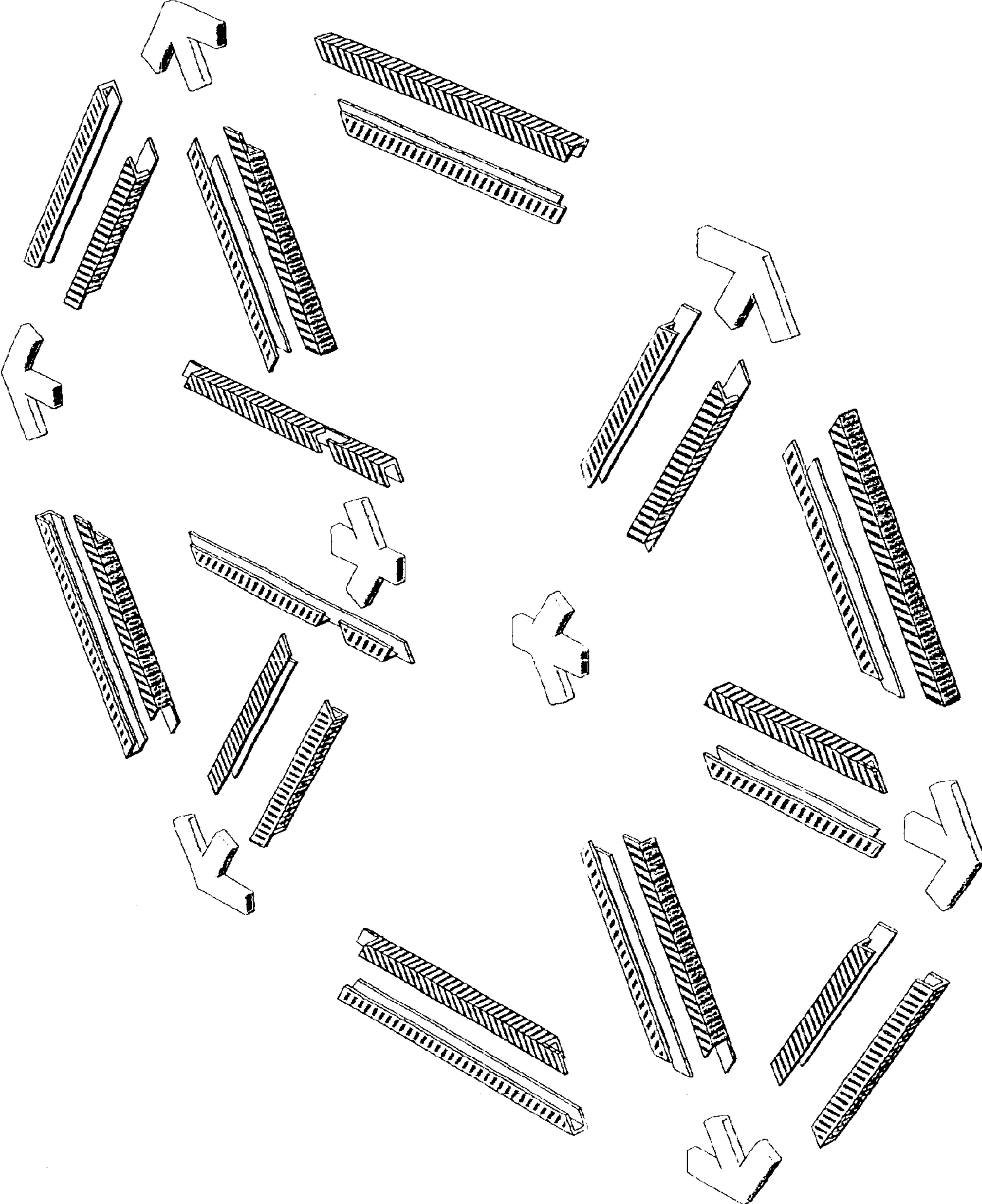


FIG. 9