



US00D501894S

(12) **United States Design Patent**  
**Nagata**

(10) **Patent No.: US D501,894 S**  
(45) **Date of Patent: \*\* Feb. 15, 2005**

(54) **HANGING TOY**

(76) **Inventor: Yoshio Nagata, c/o Daiei Shoji Co., Ltd., 208-5, Kawayanagi-cho 4-chome, Koshigaya-shi, Saitama, 343-0827 (JP)**

(\*\*) **Term: 14 Years**

(21) **Appl. No.: 29/208,005**

(22) **Filed: Jun. 22, 2004**

(30) **Foreign Application Priority Data**

Dec. 24, 2003 (JP) ..... 2003-037890

(51) **LOC (7) Cl. .... 21-01**

(52) **U.S. Cl. .... D21/465; D21/398; D21/408; D21/440**

(58) **Field of Search** ..... D21/398-406, D21/408, 438, 439, 440, 455, 456, 463, 465, 466, 467; D11/1, 2, 14, 44, 48, 53, 54, 81, 83, 117, 121, 125, 128, 141, 157, 158, 160; D3/211, 271; D30/160; D7/307, 319; D23/367, 368; 446/5, 73, 76, 81, 220-228, 234-236, 247, 251, 261-263, 419, 421, 474; 428/7-16, 28

(56) **References Cited**

**U.S. PATENT DOCUMENTS**

1,528,463 A \* 3/1925 Yungk ..... 116/148  
1,589,075 A \* 6/1926 Hasenstein ..... 446/192  
2,666,276 A \* 1/1954 Huff ..... 446/235  
2,736,132 A \* 2/1956 Murray ..... 446/234  
D240,844 S \* 8/1976 Sutton ..... D21/405  
D256,256 S \* 8/1980 Winn ..... D20/32  
4,291,487 A \* 9/1981 Magid ..... 446/186

D356,053 S \* 3/1995 Engelke ..... D11/121  
5,702,781 A \* 12/1997 Barker ..... 428/16  
D427,937 S \* 7/2000 Viele et al. .... D11/125  
D446,293 S \* 8/2001 Aiken ..... D23/367  
6,447,362 B2 \* 9/2002 Khamphilavong et al. .. 446/227

\* cited by examiner

*Primary Examiner*—Stella Reid

*Assistant Examiner*—C. Tuttle

(74) *Attorney, Agent, or Firm*—Irving M. Weiner; Pamela S. Burt; Weiner & Burt, P.C.

(57) **CLAIM**

The ornamental design for a hanging toy, as shown and described.

**DESCRIPTION**

The hanging toy includes an inflated spherical envelope wrapped with a quasi-clothes like shorts. The envelope has a string connected at the top thereof for being hung, which string is provided as its free end with a ring.

FIG. 1 is a front elevational view of a hanging toy showing my new design;

FIG. 2 is a rear elevational view thereof;

FIG. 3 is a left side elevational view thereof;

FIG. 4 is a right side elevational view thereof;

FIG. 5 is a top plan view thereof;

FIG. 6 is a bottom plan view thereof;

FIG. 7 is a sectional view thereof taken along line 7-7 of FIG. 3; and,

FIG. 8 is a perspective view thereof.

The internal features shown in broken lines in FIG. 7 are for illustrative purposes only; and form no part of the claimed design.

**1 Claim, 4 Drawing Sheets**

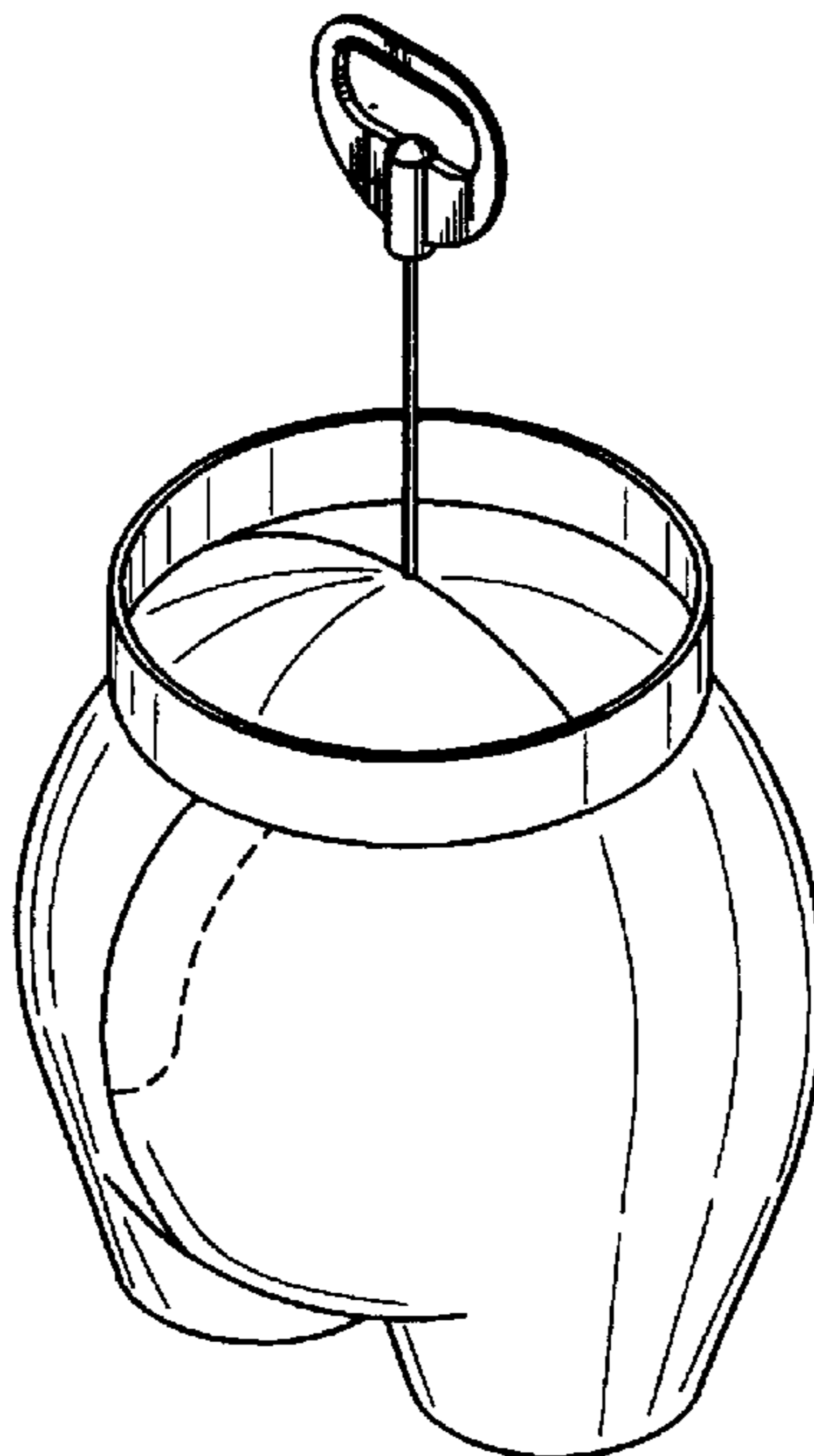


FIG. 1

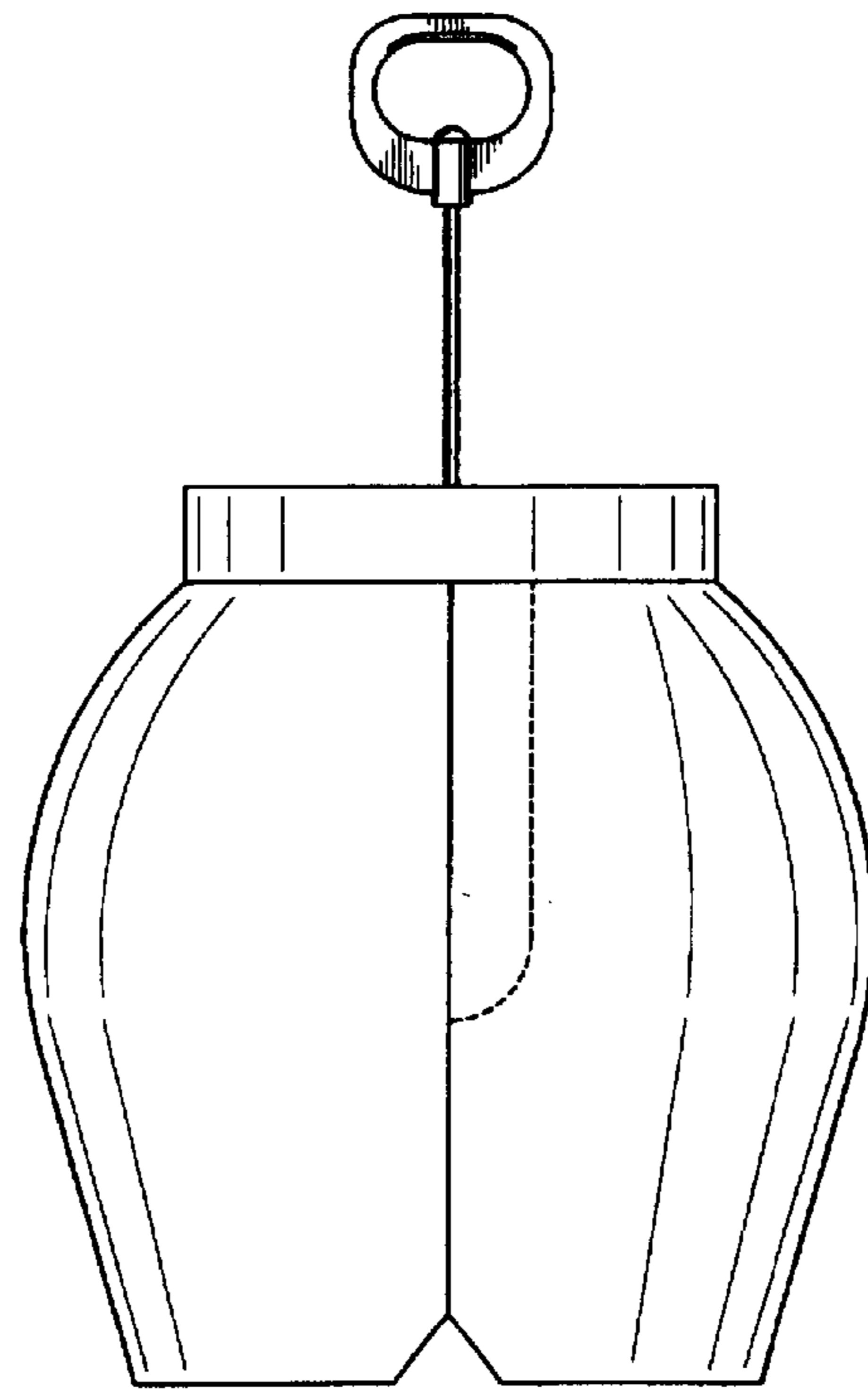


FIG. 2

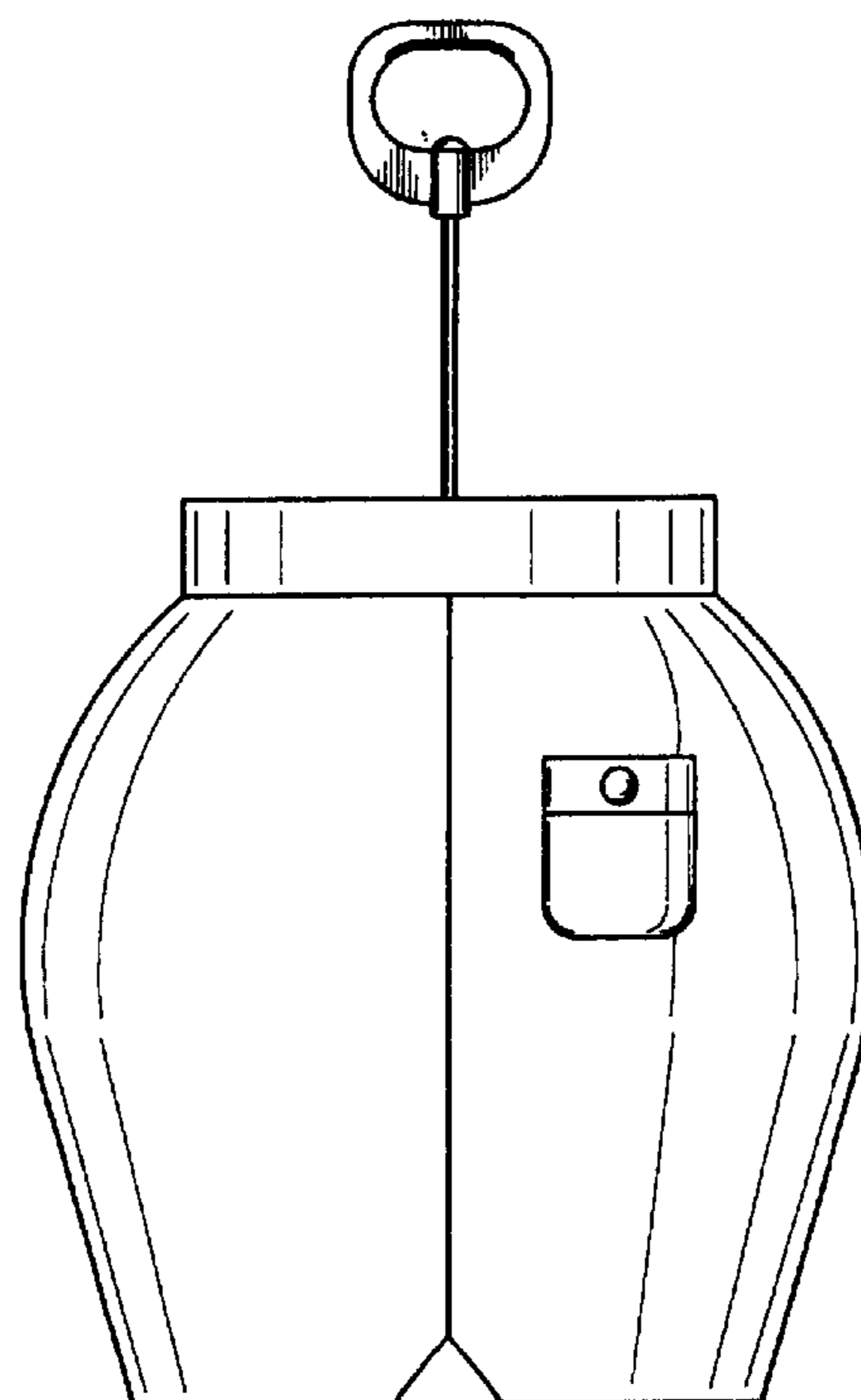


FIG. 3

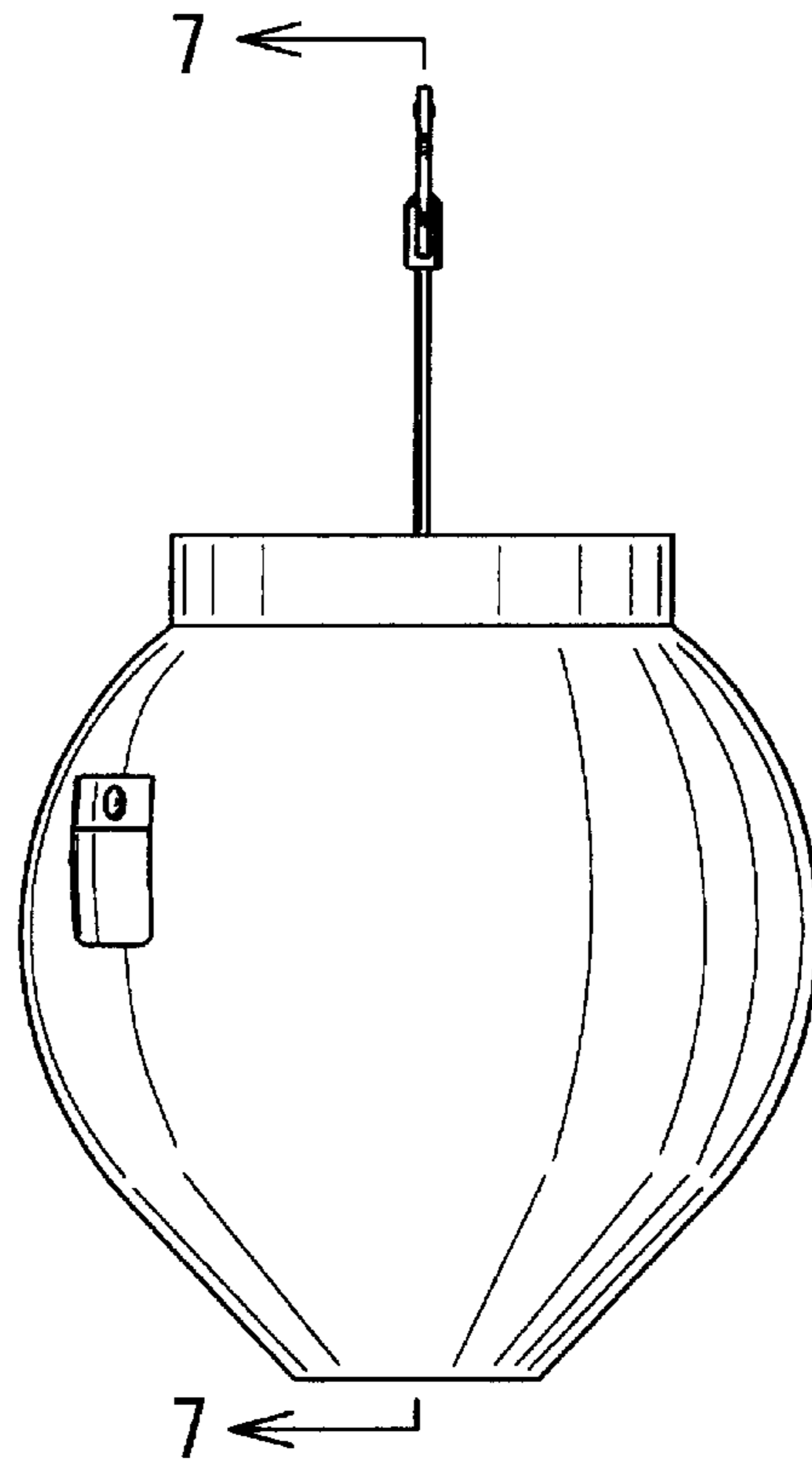


FIG. 4

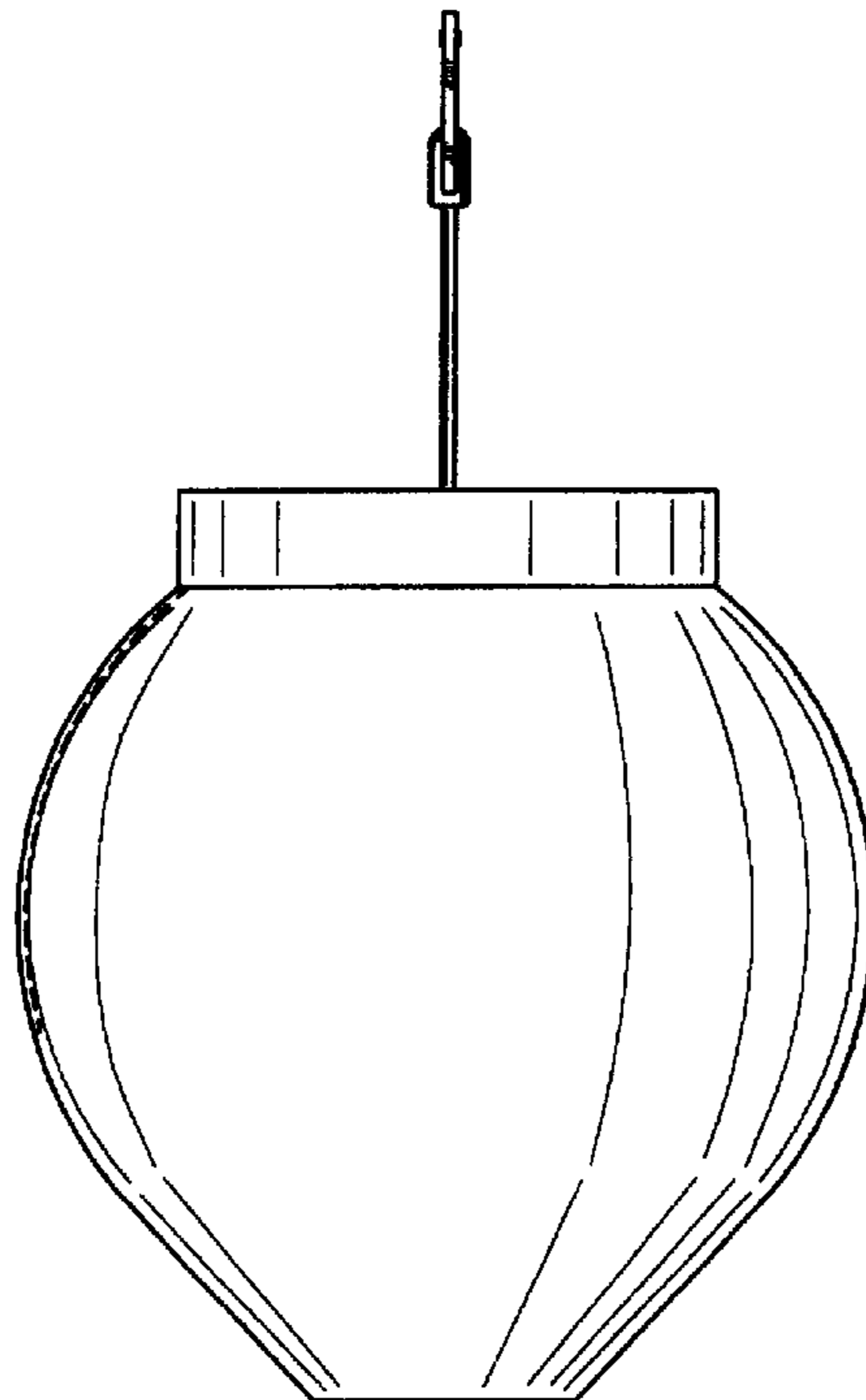


FIG. 5

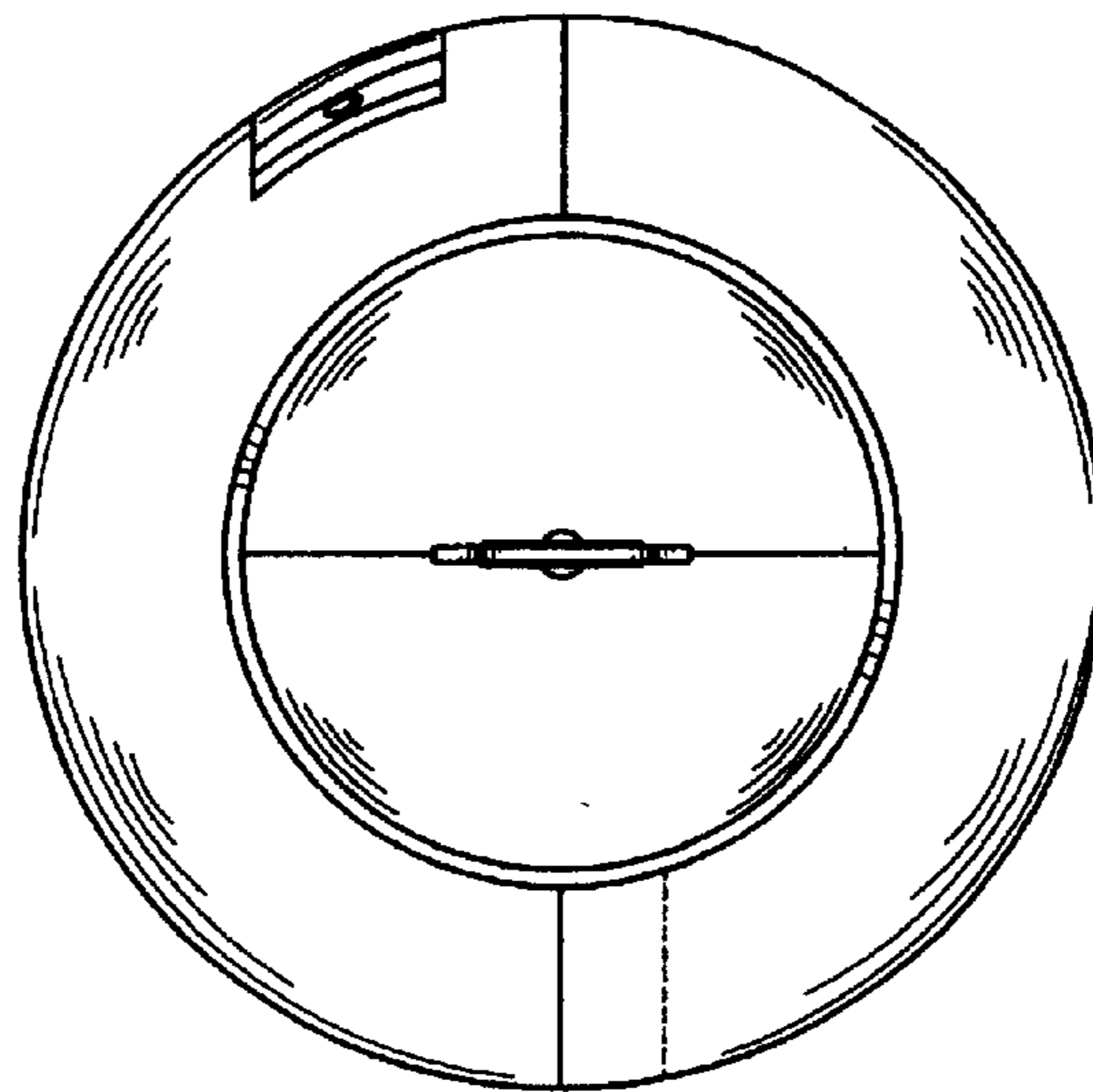


FIG. 6

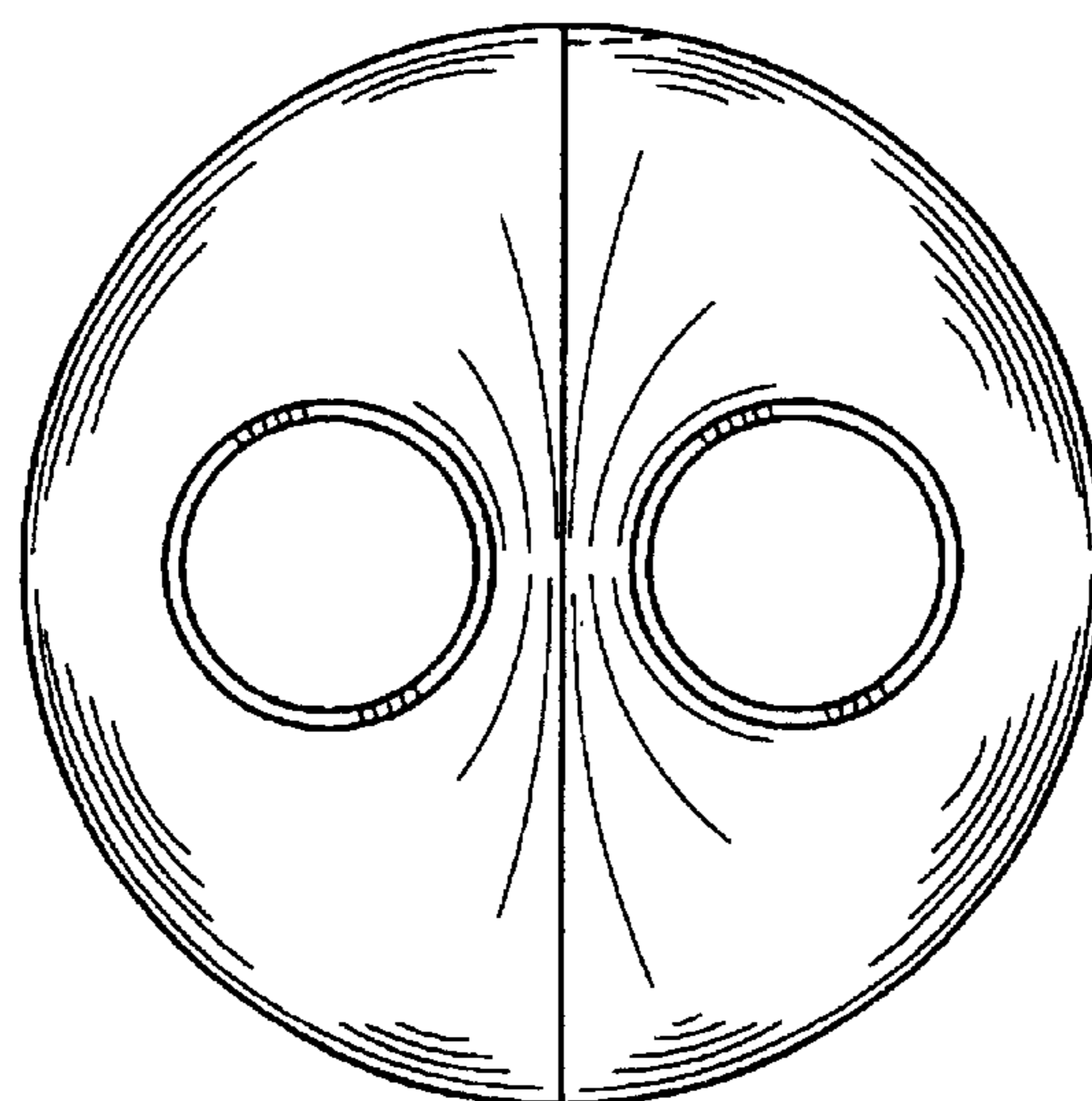


FIG. 7

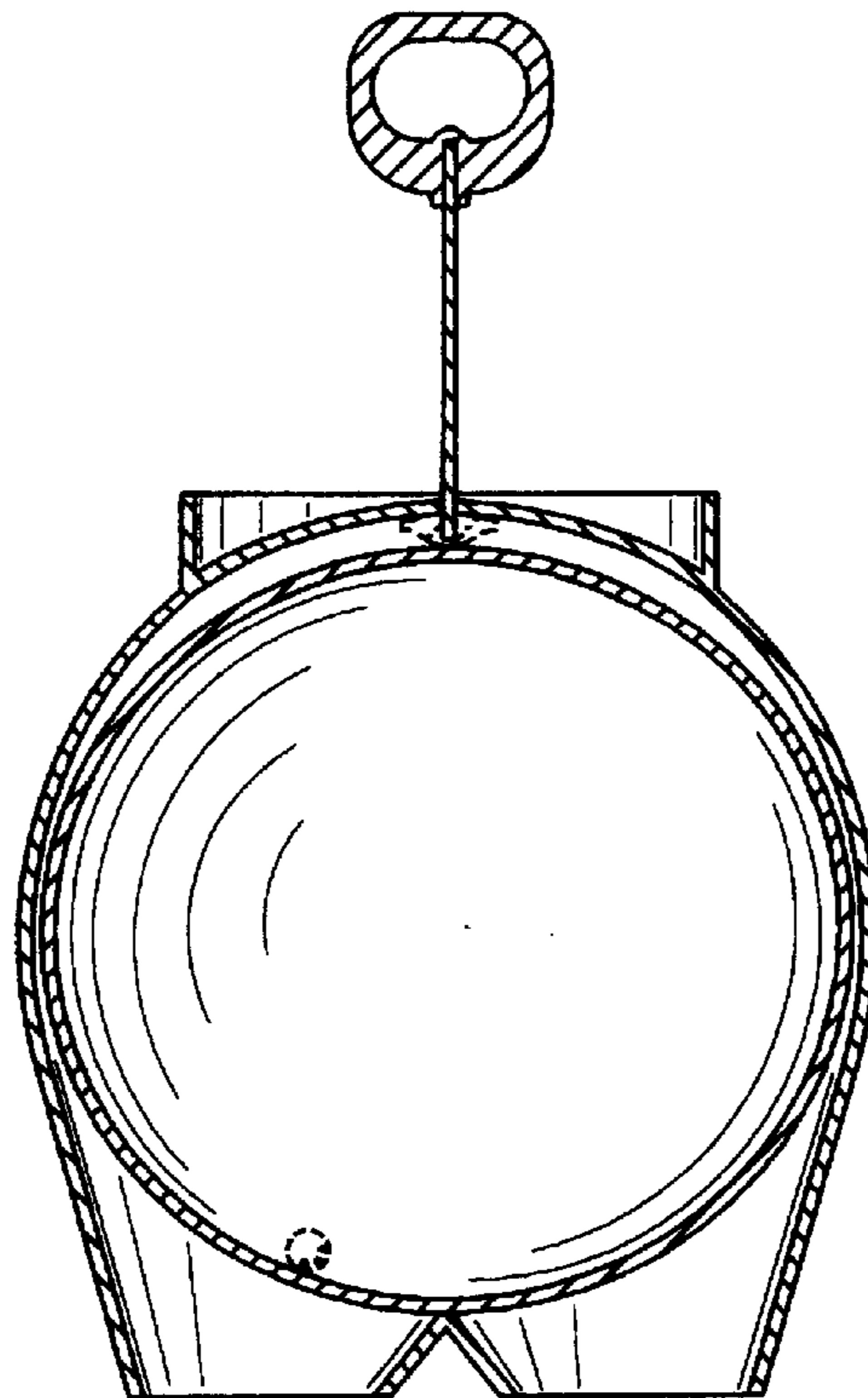


FIG. 8

