

US00D501888S

(12) **United States Design Patent** (10) **Patent No.:** **US D501,888 S**
Arceta (45) **Date of Patent:** **** Feb. 15, 2005**

- (54) **PLACARD**
- (75) Inventor: **Radmond Arceta**, Winchester, VA (US)
- (73) Assignee: **Rubbermaid Commercial Products LLC**, Winchester, VA (US)
- (**) Term: **14 Years**
- (21) Appl. No.: **29/168,123**
- (22) Filed: **Sep. 27, 2002**
- (51) **LOC (7) Cl.** **20-03**
- (52) **U.S. Cl.** **D20/10; D20/13; D20/41; D20/42**
- (58) **Field of Search** D20/10, 13, 17, D20/19, 39-43, 99; D34/14, 21, 27; 40/584, 605, 611.06, 611.08, 616, 624; 280/33.992, 47.35, 651

- 4,068,855 A 1/1978 Hackett
 4,077,644 A 3/1978 Roby et al.
 4,165,088 A 8/1979 Nelson
 4,166,638 A 9/1979 DePrado
 4,184,618 A 1/1980 Jones
 4,274,567 A 6/1981 Sawyer
 4,376,502 A 3/1983 Cohen
 4,450,994 A 5/1984 Holland
 4,493,492 A 1/1985 Balabanova
 4,505,495 A 3/1985 Foss et al.
 D284,610 S 7/1986 Harris et al.
 4,643,280 A 2/1987 Hensley
 4,702,402 A 10/1987 Ferri
 4,765,077 A 8/1988 Rosenthal et al.

(List continued on next page.)

Primary Examiner—Robert M. Spear
 (74) *Attorney, Agent, or Firm*—Foley & Lardner

(57) **CLAIM**

The ornamental design for a placard, as shown and described.

(56) **References Cited**

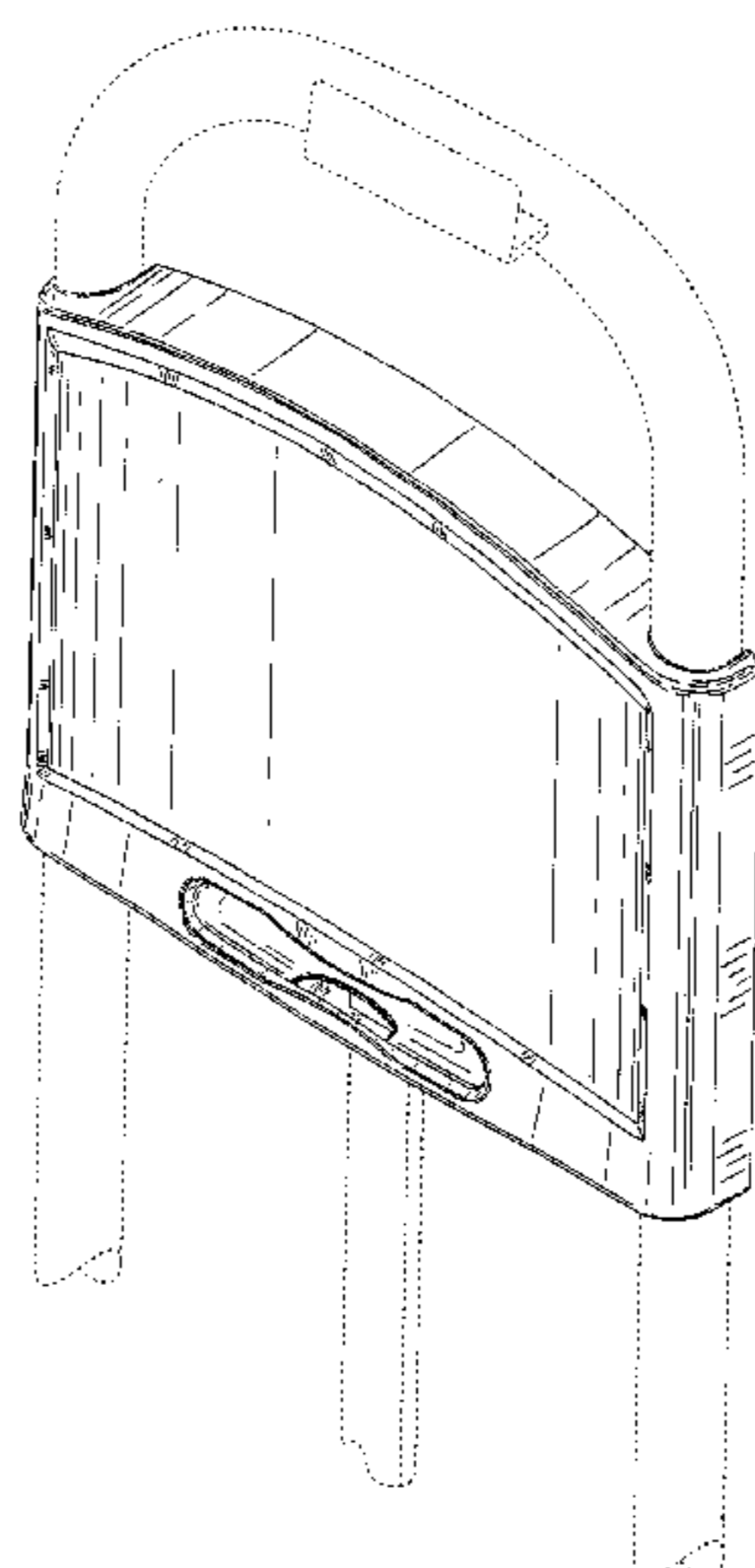
U.S. PATENT DOCUMENTS

465,489 A	12/1891	Nutting	
612,523 A	10/1898	Martin	
2,572,780 A	10/1951	Tackenberg	
D167,174 S	* 7/1952	Rosenberg D20/10
2,673,671 A	3/1954	Williams	
2,723,474 A	11/1955	Minter	
2,885,090 A	5/1959	Forman et al.	
2,888,761 A	6/1959	Miller	
2,953,388 A	9/1960	Keller et al.	
3,052,484 A	9/1962	Huffman et al.	
D196,693 S	10/1963	Shape	
RE25,616 E	7/1964	Stanley	
3,218,748 A	11/1965	Hopp	
3,305,243 A	2/1967	Manfredi, Jr. et al.	
3,618,329 A	11/1971	Hanson	
3,702,033 A	11/1972	Coleman	
3,762,739 A	10/1973	Tabet	
3,853,329 A	12/1974	McDonald	
3,856,320 A	12/1974	Blanchard	
3,879,053 A	4/1975	Chvala	
3,912,291 A	10/1975	Frisch	
3,993,319 A	11/1976	Day	

DESCRIPTION

FIG. 1 is a top frontal perspective view of a placard according to my new design;
 FIG. 2 is a front view of the embodiment shown in FIG. 1;
 FIG. 3 is a back view of the embodiment shown in FIG. 1;
 FIG. 4 is a bottom view of the embodiment shown in FIG. 1;
 FIG. 5 is a top view of the embodiment shown in FIG. 1;
 FIG. 6 is a left side view of the embodiment shown in FIG. 1;
 FIG. 7 is a right side view of the embodiment shown in FIG. 1; and,
 FIG. 8 is a top frontal perspective view of the embodiment shown in FIG. 1 also showing environment.
 The ornamental design which is claimed is shown in solid lines in the drawings. The broken lines in the drawings are for illustrative purposes only and form no part of the claimed design.

1 Claim, 6 Drawing Sheets



US D501,888 S

Page 2

U.S. PATENT DOCUMENTS

4,773,175 A	9/1988	Larsen		5,901,482 A	5/1999	Sawyer
4,848,117 A	7/1989	Welborn et al.		5,913,528 A	6/1999	Kresse et al.
4,901,901 A	2/1990	Reitenour		5,915,723 A	6/1999	Austin
4,978,013 A	12/1990	Hogg		D412,609 S	8/1999	Karp et al.
4,986,555 A	1/1991	Andreen		D417,763 S	12/1999	Monem
5,048,849 A	9/1991	Mathews et al.		6,024,376 A	2/2000	Golichowski et al.
5,086,960 A	2/1992	Schwietzer		6,036,219 A	3/2000	Oefelein et al.
D326,748 S	6/1992	Kirk		6,042,127 A	3/2000	Rupolo
D327,096 S	* 6/1992	Hobbs	D20/10	6,076,791 A	6/2000	Rand et al.
5,228,716 A	7/1993	Dahl		6,095,348 A	8/2000	Karashima
5,249,823 A	10/1993	McCoy et al.		6,095,532 A	8/2000	Martin
5,326,117 A	7/1994	Cook		6,135,423 A	10/2000	Johnson
D350,555 S	* 9/1994	Field et al.	D16/221	6,176,498 B1	* 1/2001	Murphy et al. 280/33.992
D352,588 S	11/1994	Orphan		D438,569 S	* 3/2001	Hofmann
D352,589 S	11/1994	Kennedy		6,206,385 B1	3/2001	Kern et al.
5,409,245 A	4/1995	Kern et al.		6,213,483 B1	4/2001	Gaffney
5,476,282 A	12/1995	Dahl		6,364,328 B1	4/2002	Stahler, Sr.
5,494,308 A	2/1996	Southerland		6,378,232 B1	4/2002	Creech
5,536,034 A	7/1996	Miller		6,394,470 B1	5/2002	Shirai
5,547,205 A	8/1996	do Rosario Sousa de Cabedo		6,453,588 B1	9/2002	Lykens
5,548,911 A	8/1996	Myers		6,484,939 B1	* 11/2002	Blaeuer
5,556,118 A	9/1996	Kern et al.		6,488,304 B2	12/2002	Krawczyk
5,599,031 A	2/1997	Hodges		D473,593 S	* 4/2003	Showers et al. D20/1
D390,610 S	* 2/1998	Wingerei	D20/39	6,540,240 B2	* 4/2003	Nadeau et al. 380/33.993
D392,957 S	* 3/1998	Gaete	D8/71	2002/0030337 A1	3/2002	Calmeise et al.
D392,958 S	* 3/1998	Gaete	D8/71	2002/0079660 A1	6/2002	Shirai
5,777,236 A	7/1998	Walls		2002/0083628 A1	7/2002	Magid
5,794,953 A	8/1998	Duchene et al.		2002/0117819 A1	8/2002	Calmeise et al.
D404,761 S	* 1/1999	Tarpenning et al.	D14/341	2002/0124445 A1	9/2002	Myers
5,887,879 A	3/1999	Chumley		2002/0153706 A1	10/2002	Yonge et al.
D407,755 S	* 4/1999	Isshiki et al.	D20/10			

* cited by examiner

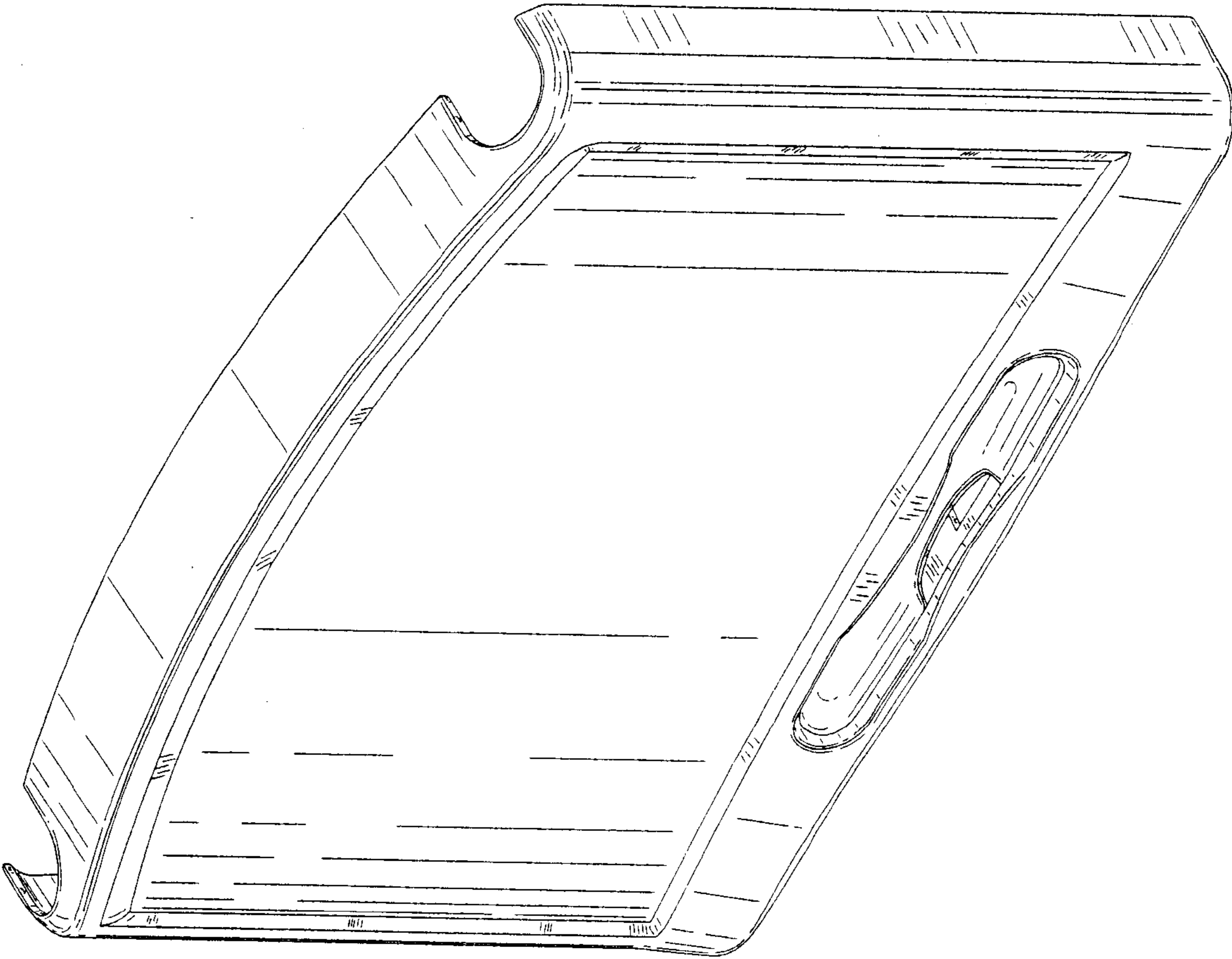


FIG. 1

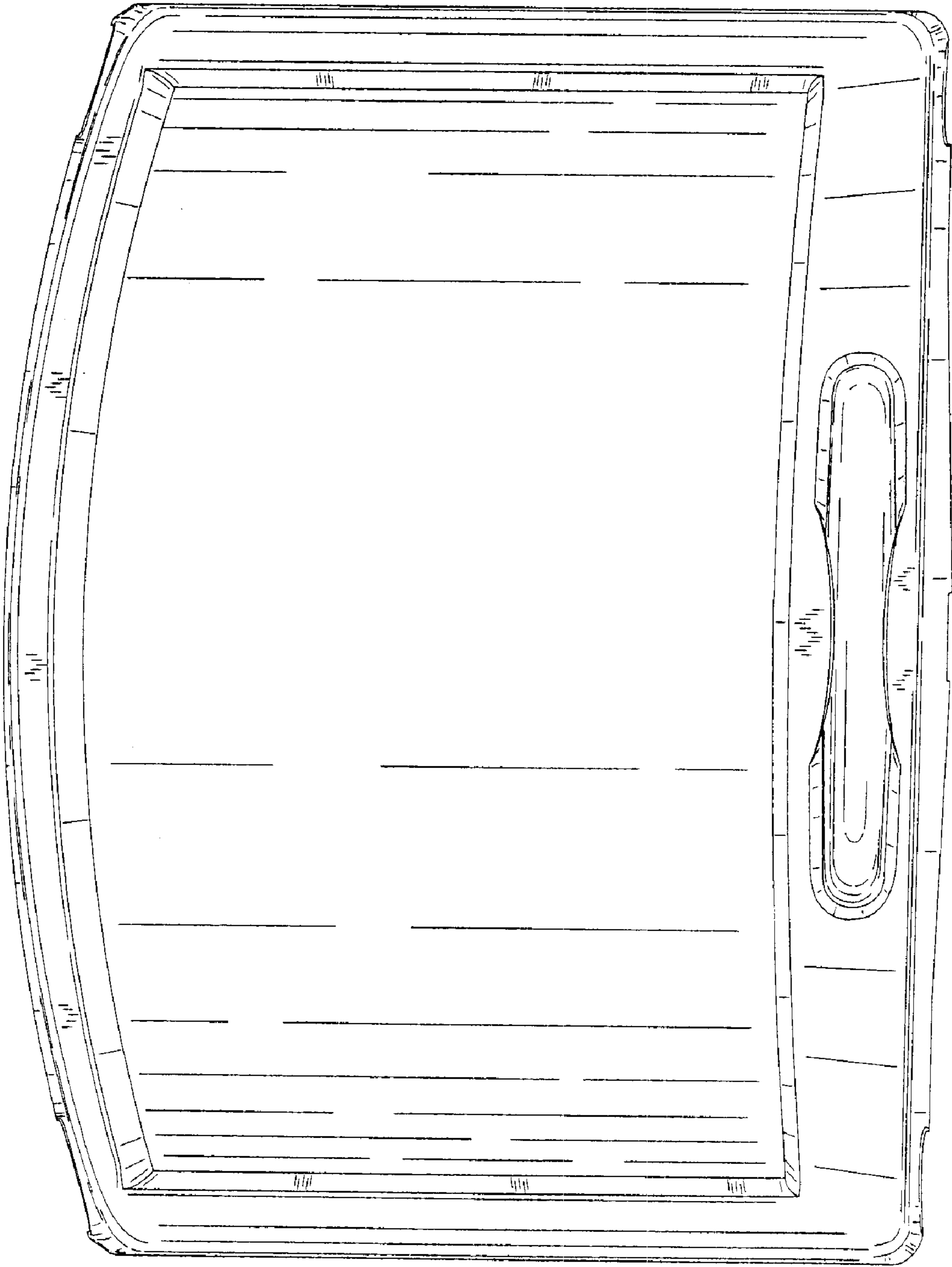


FIG. 2

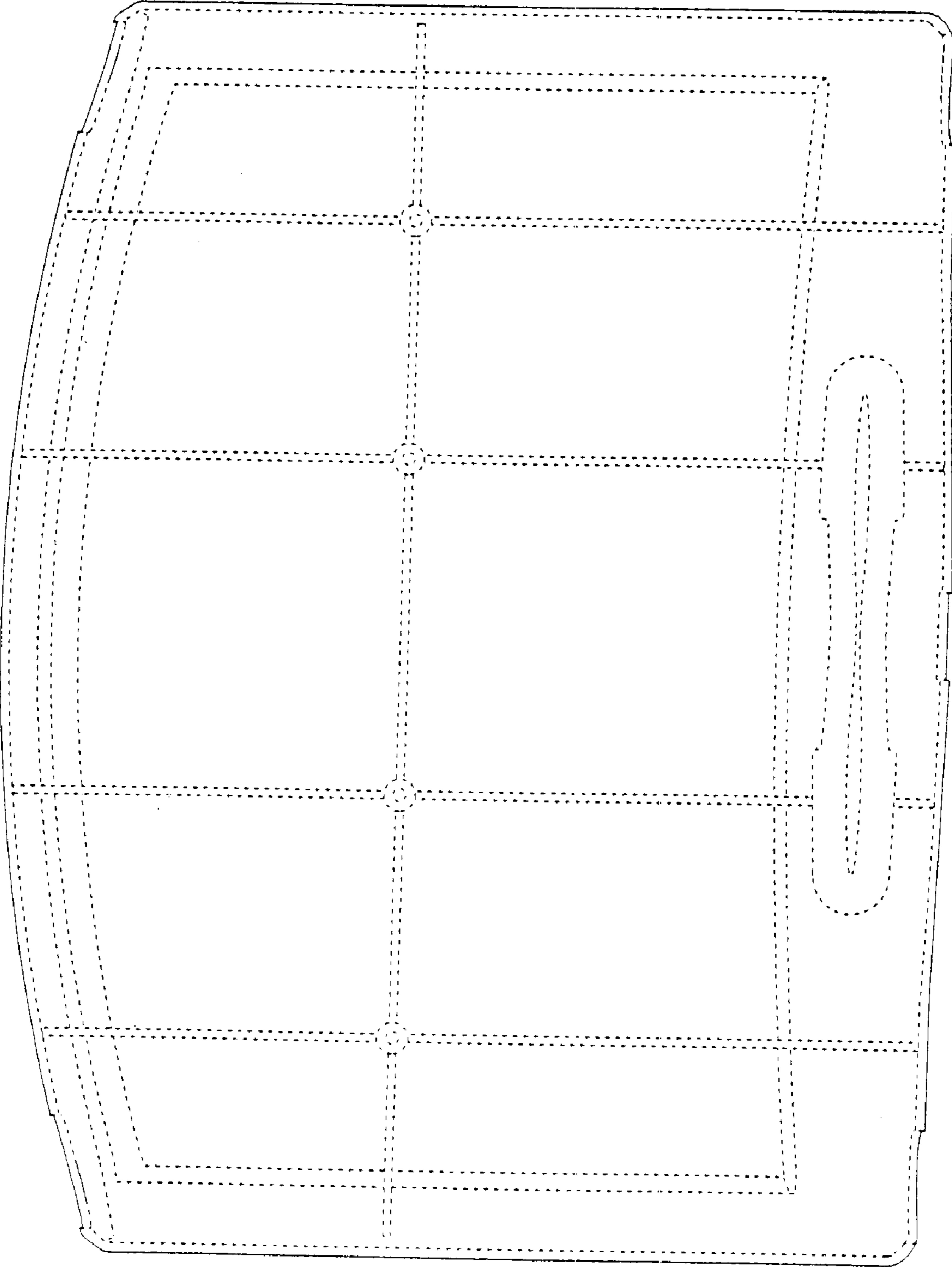


FIG. 3

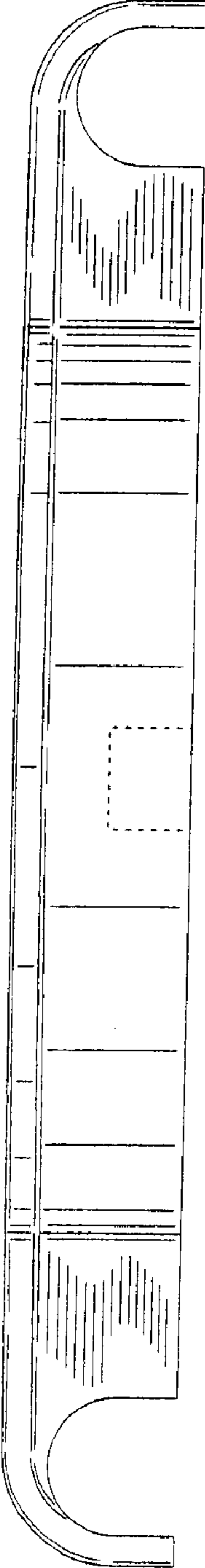


FIG. 4

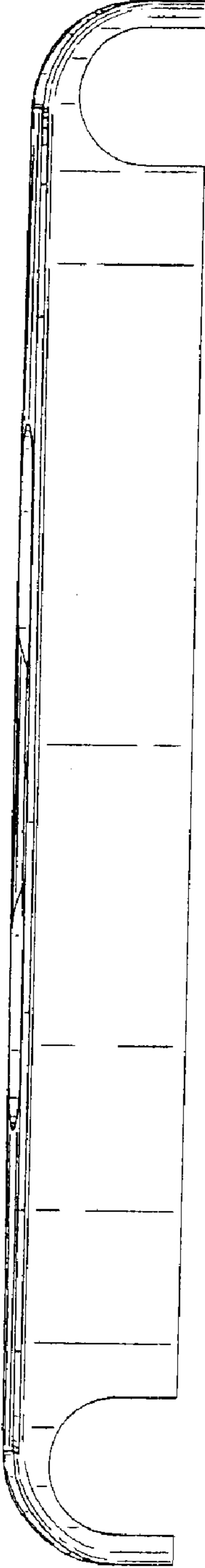


FIG. 5

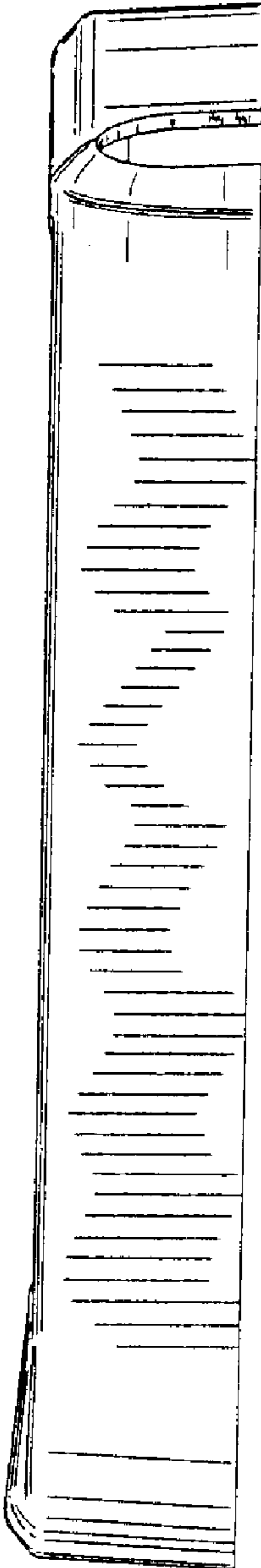


FIG. 6

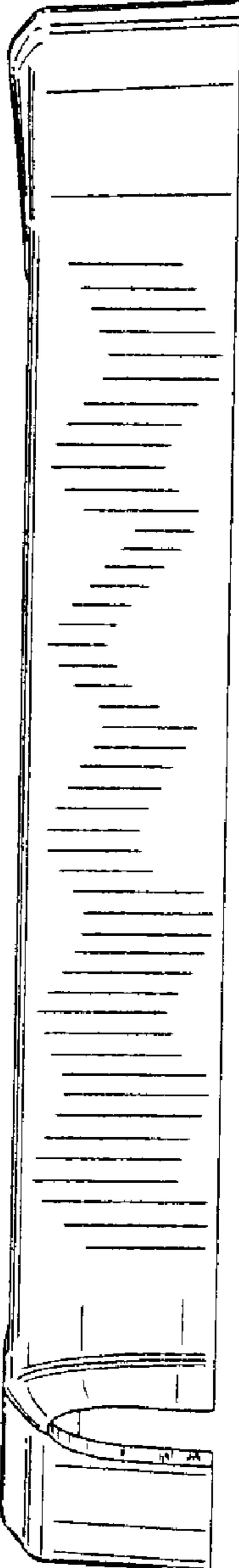


FIG. 7

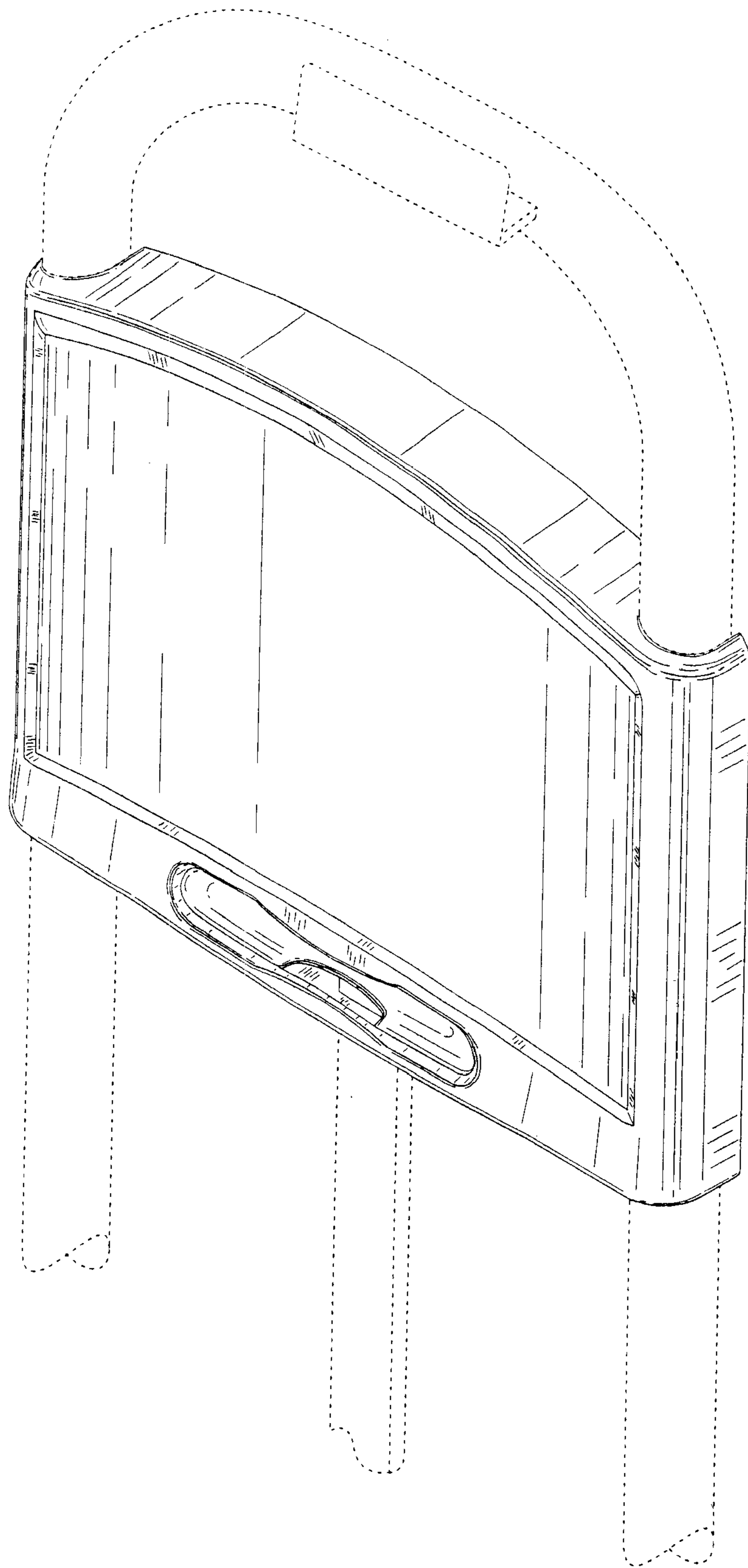


FIG. 8