



US00D501885S

(12) **United States Design Patent**  
**Colson**

(10) **Patent No.:** **US D501,885 S**

(45) **Date of Patent:** **\*\* Feb. 15, 2005**

(54) **ARTICLE HOLDER FOR REMOVABLE MOUNTING WITHIN A MOTOR VEHICLE**

(76) **Inventor:** **Jacqueline S. Colson**, 2445 S. Arthur Ave., Loveland, CO (US) 80537

(\*\*) **Term:** **14 Years**

(21) **Appl. No.:** **29/191,366**

(22) **Filed:** **Oct. 6, 2003**

(51) **LOC (7) Cl.** ..... **19-06**

(52) **U.S. Cl.** ..... **D19/85; D19/77; D12/415**

(58) **Field of Search** ..... D12/400, 425, D12/415-417, 426.1; D19/65, 75, 77, 81, 82-85, 95, 99, 100; D3/206; D9/503, 500; 211/69.1-69.9; 206/214, 1.5, 224, 37, 371, 819; 24/306, 11 HC; 248/205.2, 309.1

(56) **References Cited**

**U.S. PATENT DOCUMENTS**

3,128,514 A \* 4/1964 Parker et al. .... 24/11 HC  
3,387,341 A \* 6/1968 Mates et al. .... 24/306  
D214,768 S \* 7/1969 Hillis ..... D19/23

D241,017 S \* 8/1976 Baker ..... D9/500  
D323,352 S \* 1/1992 Halm ..... D19/75  
5,503,316 A \* 4/1996 Stewart ..... 224/312  
D403,964 S \* 1/1999 Jansen ..... D9/503  
D407,211 S \* 3/1999 Diviak, Sr. .... D3/206  
D462,997 S \* 9/2002 Slater et al. .... D19/85

\* cited by examiner

*Primary Examiner*—Martie K. Holtje

(74) *Attorney, Agent, or Firm*—William E. Hein

(57) **CLAIM**

The ornamental design for an article holder for removable mounting within a motor vehicle, as shown and described.

**DESCRIPTION**

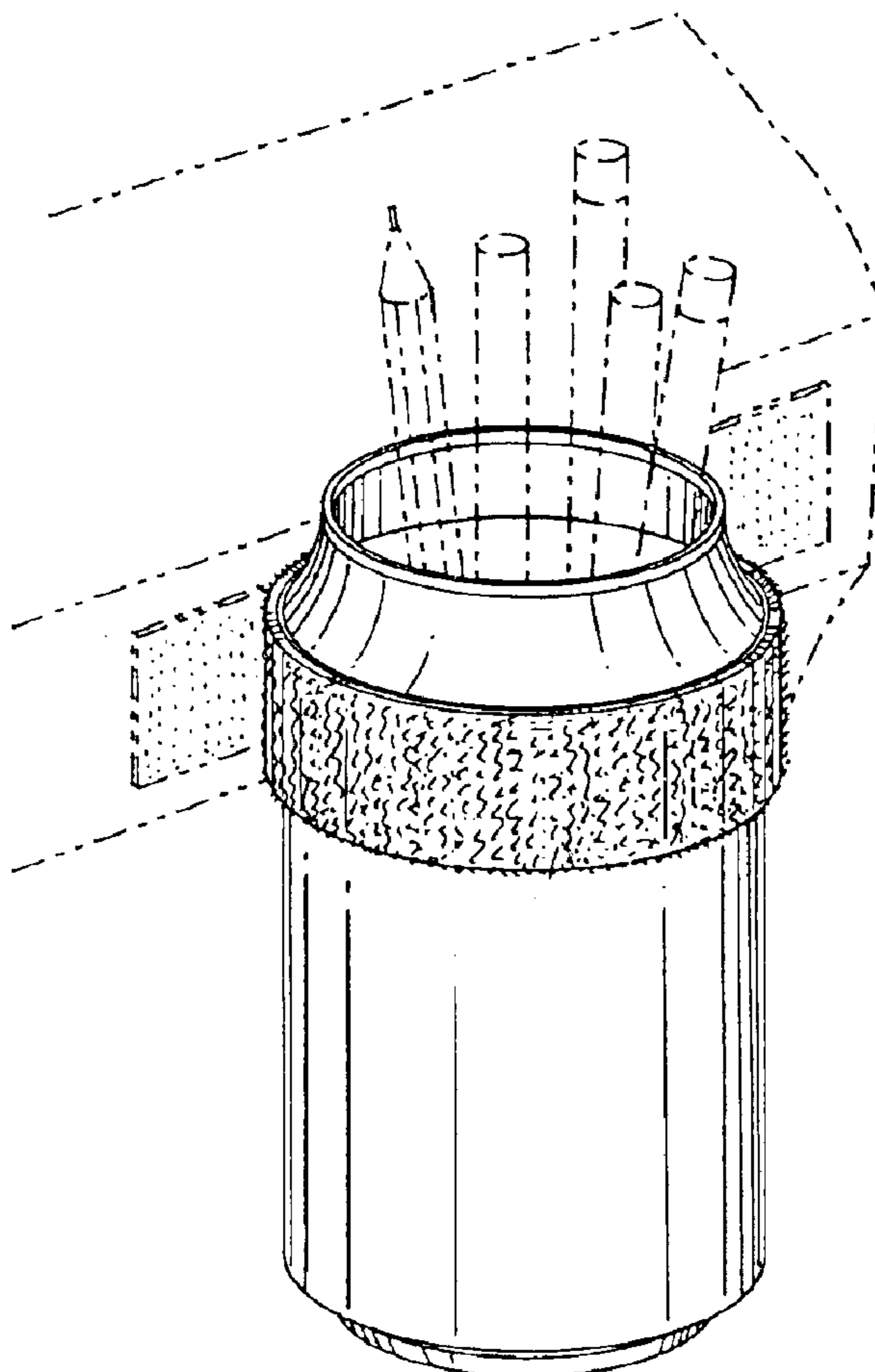
FIG. 1 is a front elevation view of an article holder for removable mounting within a motor vehicle, showing my new design;

FIG. 2 is a top plan view;

FIG. 3 is a bottom plan view; and,

FIG. 4 is a front perspective view, the environmental structure shown by broken lines forming no part of my design.

**1 Claim, 1 Drawing Sheet**



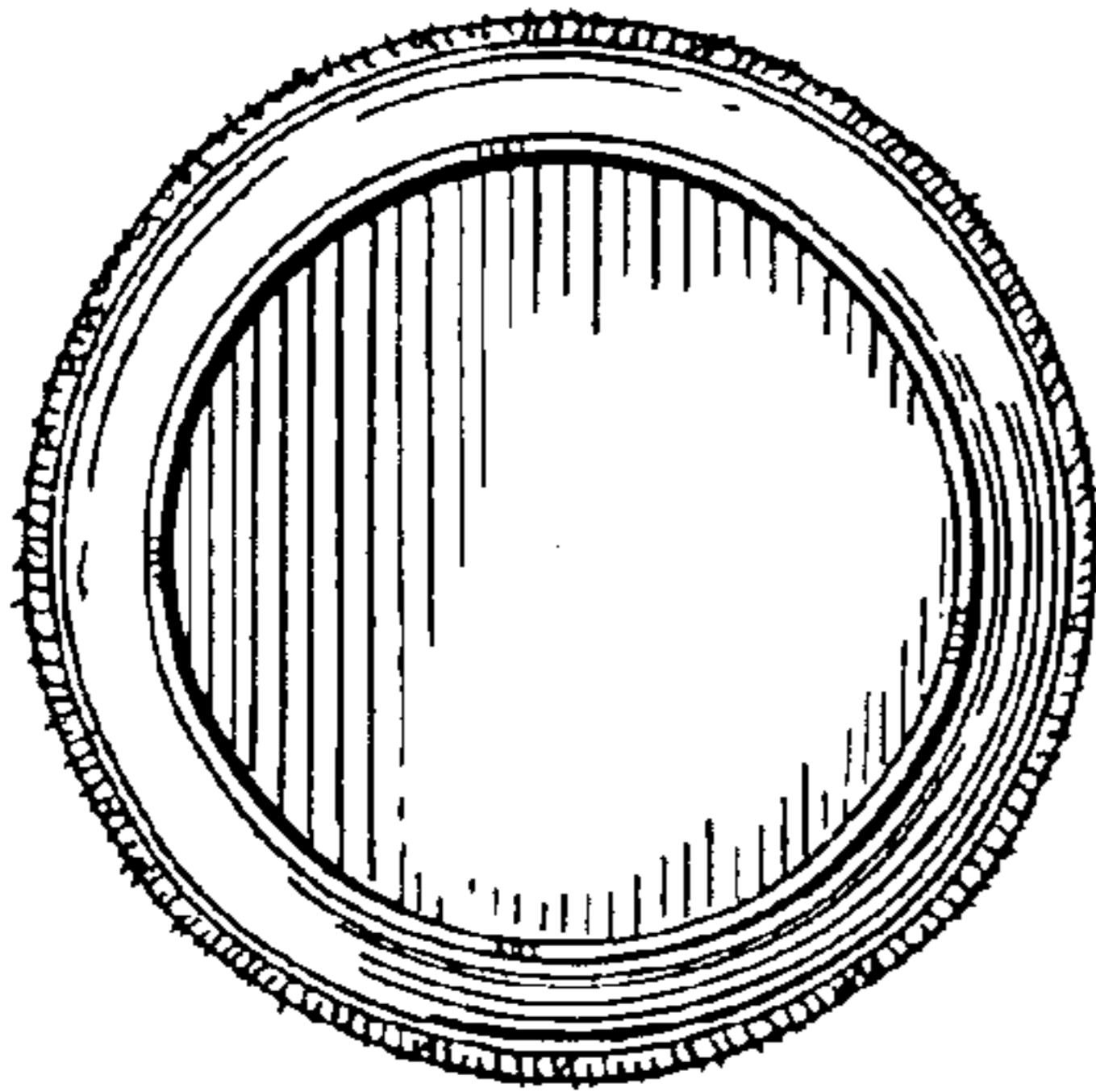


FIG. 2

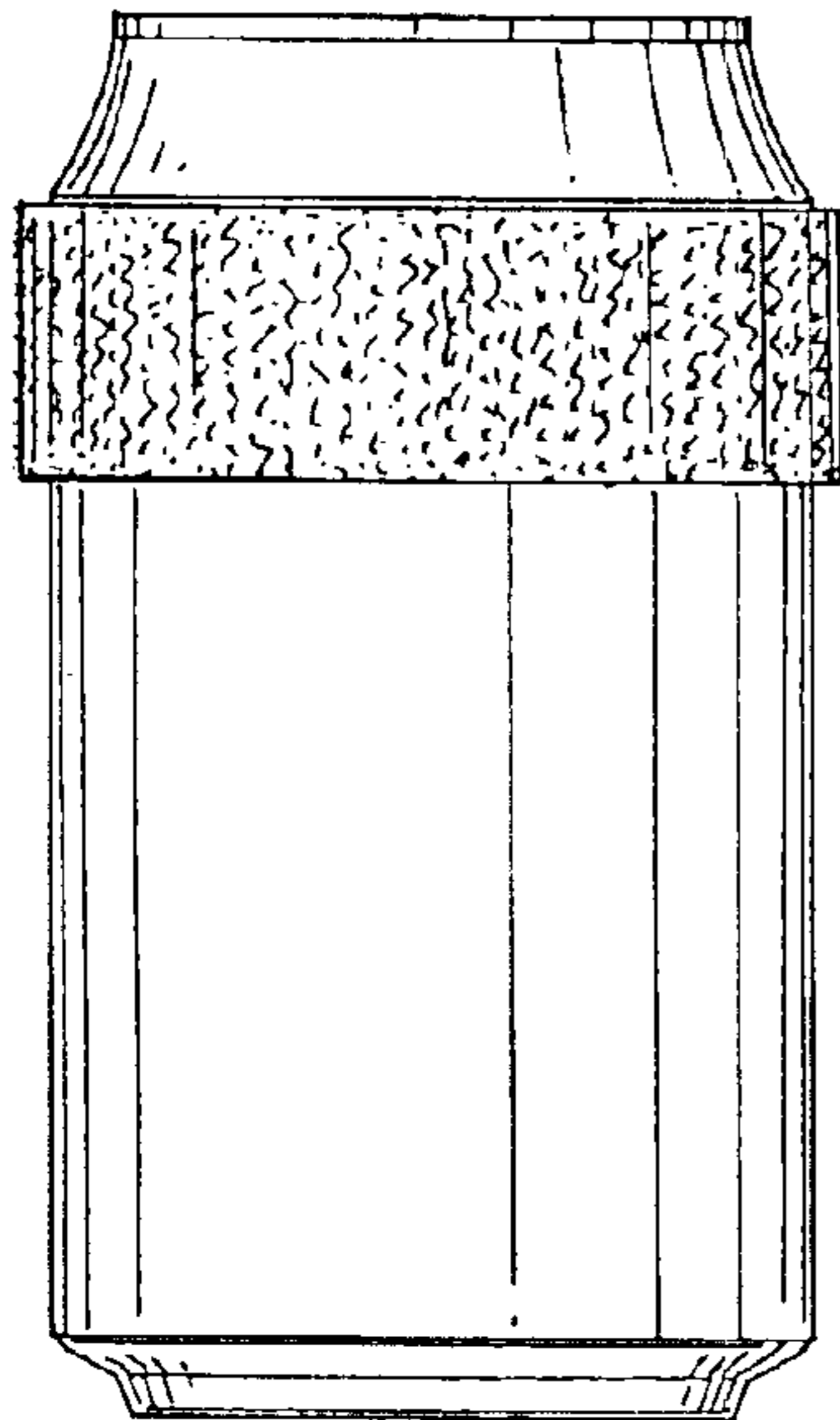


FIG. 1

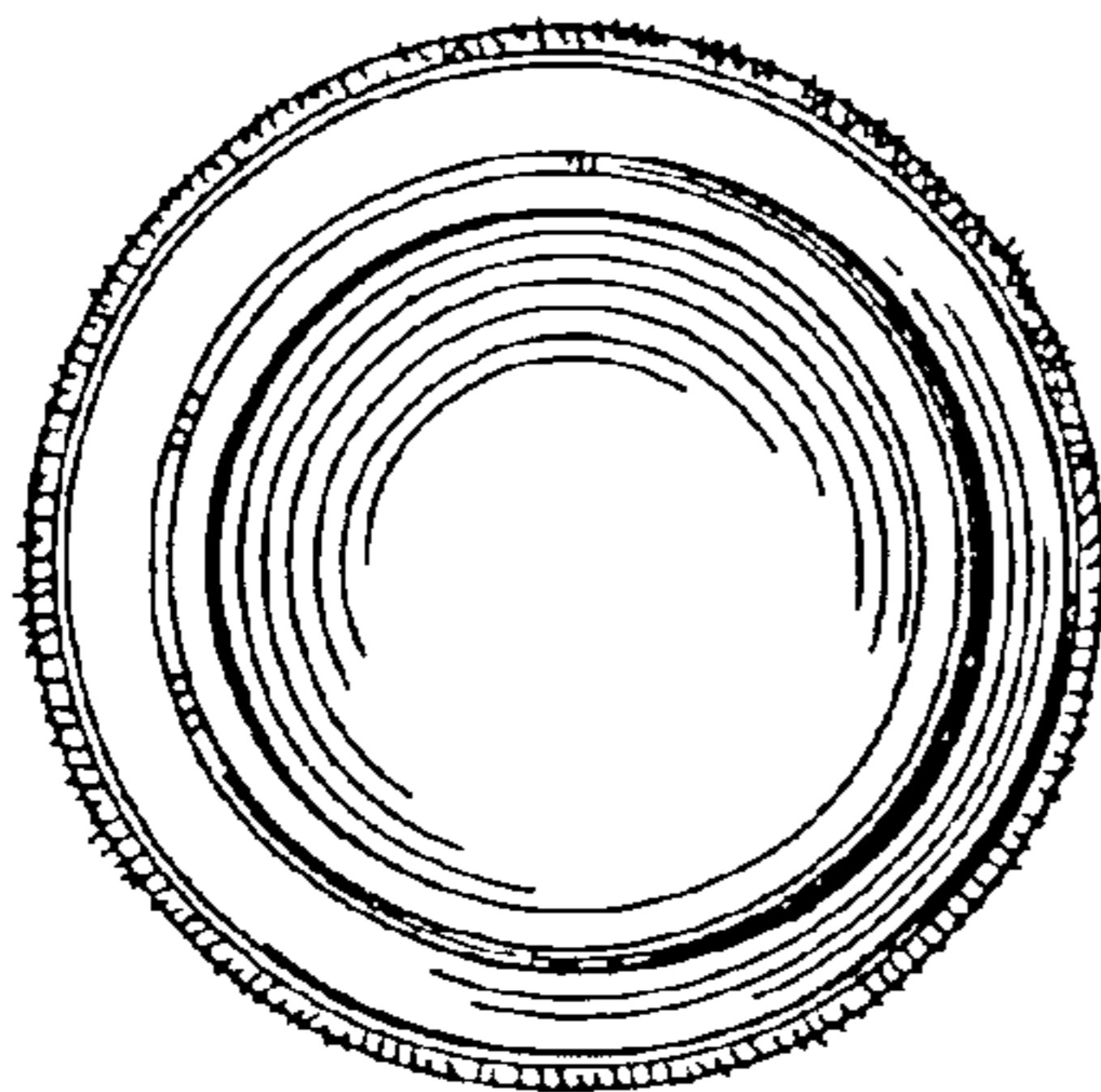


FIG. 3

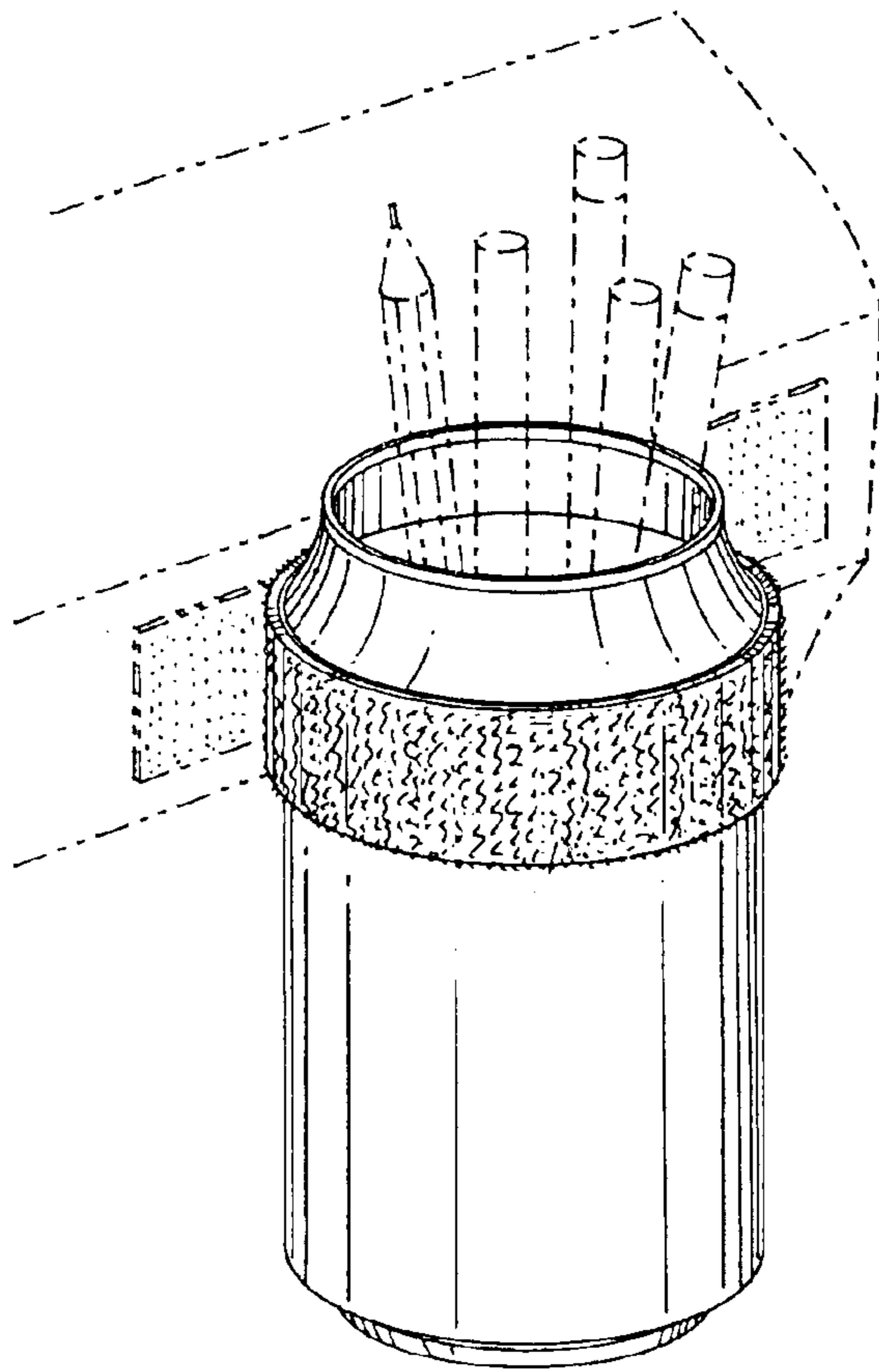


FIG. 4