

US00D501877S

(12) **United States Design Patent** (10) **Patent No.:** **US D501,877 S**  
**Granick** (45) **Date of Patent:** **\*\* Feb. 15, 2005**

(54) **CARPENTER'S PENCIL AND SHEATH INSERT**

*Primary Examiner*—Martie K. Holtje  
(74) *Attorney, Agent, or Firm*—Greenberg Traurig, LLP

(76) **Inventor:** **Daniel H. Granick**, 6 Chestnut Ter.,  
Buffalo Grove, IL (US) 60089

(57) **CLAIM**

The ornamental design for a carpenter's pencil and sheath insert, as shown and described.

(\*\*) **Term:** **14 Years**

**DESCRIPTION**

(21) **Appl. No.:** **29/173,036**

(22) **Filed:** **Dec. 20, 2002**

(51) **LOC (7) Cl.** ..... **19-06**

(52) **U.S. Cl.** ..... **D19/36; D19/49**

(58) **Field of Search** ..... D19/35, 36, 41-51,  
D19/53-58, 81-85; 401/6, 7, 48, 88, 89,  
95-97, 131, 49, 57, 51-52; 206/214, 224

FIG. 1 is a front perspective view of a carpenter's pencil and sheath insert showing my new design;

FIG. 2 is a front elevational view thereof, shown broken away for ease of illustration;

FIG. 3 is a bottom plan view thereof;

FIG. 4 is a top plan view thereof;

FIG. 5 is a left side elevational view of FIG. 2;

FIG. 6 is a front perspective view of the sheath insert shown separately for ease of illustration;

FIG. 7 is a front elevational view of FIG. 6;

FIG. 8 is a bottom plan view of FIG. 6;

FIG. 9 is a left side elevational view of FIG. 6; and,

FIG. 10 is a top plan view of FIG. 6.

The writing tip depicted by means of broken lines in FIGS. 1 through 3 and 5 through 9 has been shown for illustrative purposes only and forms no part of the claimed design.

(56) **References Cited**

**U.S. PATENT DOCUMENTS**

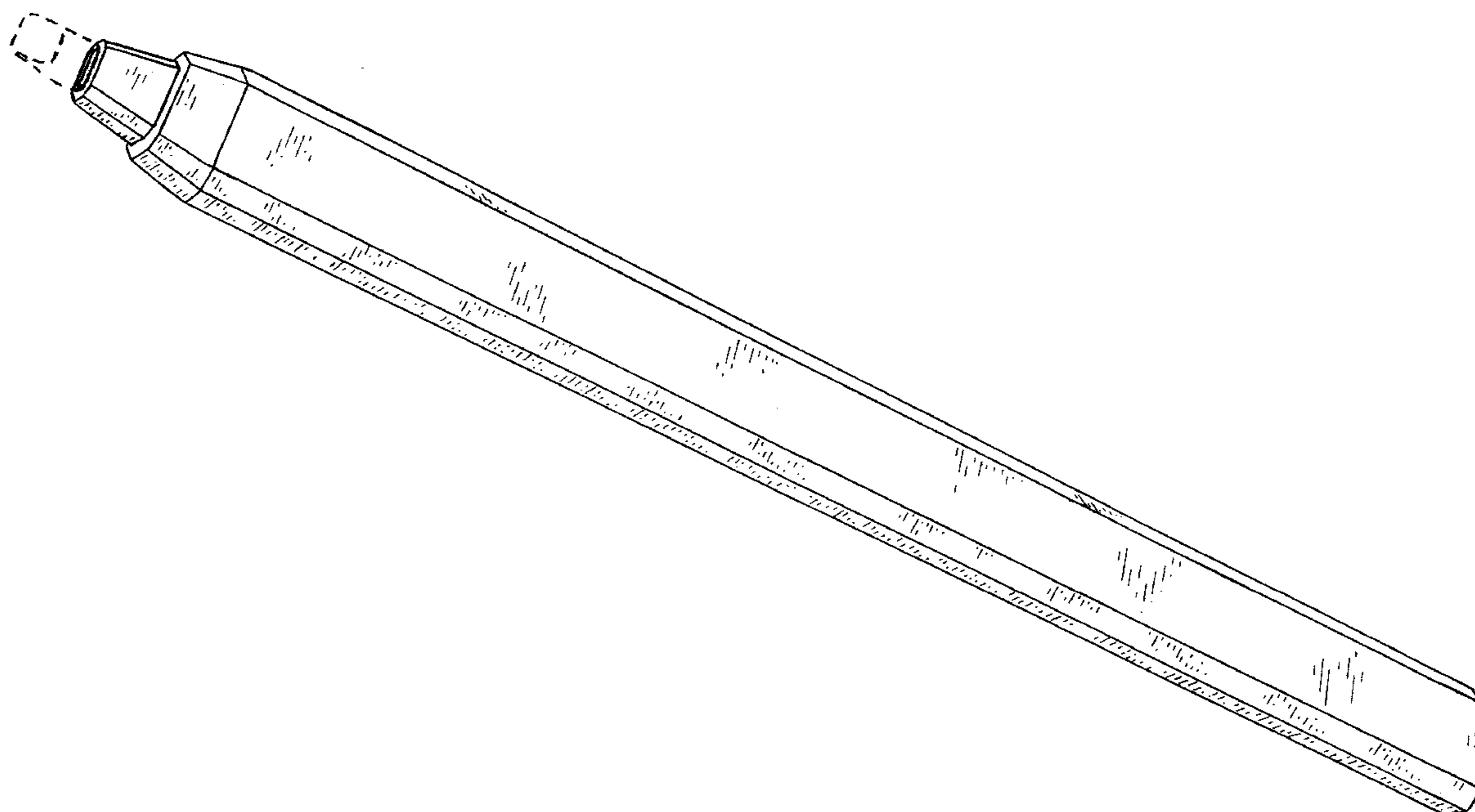
1,737,798	A	*	12/1929	Kinzinger	.....	401/57
D119,263	S	*	3/1940	Harris	.....	D19/49
2,338,068	A	*	12/1943	Harris et al.	.....	401/75
D207,563	S	*	5/1967	Bailey, Jr.	.....	D19/36
3,708,235	A	*	1/1973	Kolomeir	.....	401/57
4,515,492	A	*	5/1985	Shan	.....	401/52
5,044,804	A	*	9/1991	Chuang	.....	401/34
D422,309	S	*	4/2000	Bond	.....	D19/36
6,276,854	B1	*	8/2001	Mullins	.....	401/88
6,695,511	B2	*	2/2004	Lundak	.....	401/88

**OTHER PUBLICATIONS**

Eberhard Faber Catalog, p. 26, see indicated carpenter's pencil, center of page.\*

\* cited by examiner

**1 Claim, 2 Drawing Sheets**



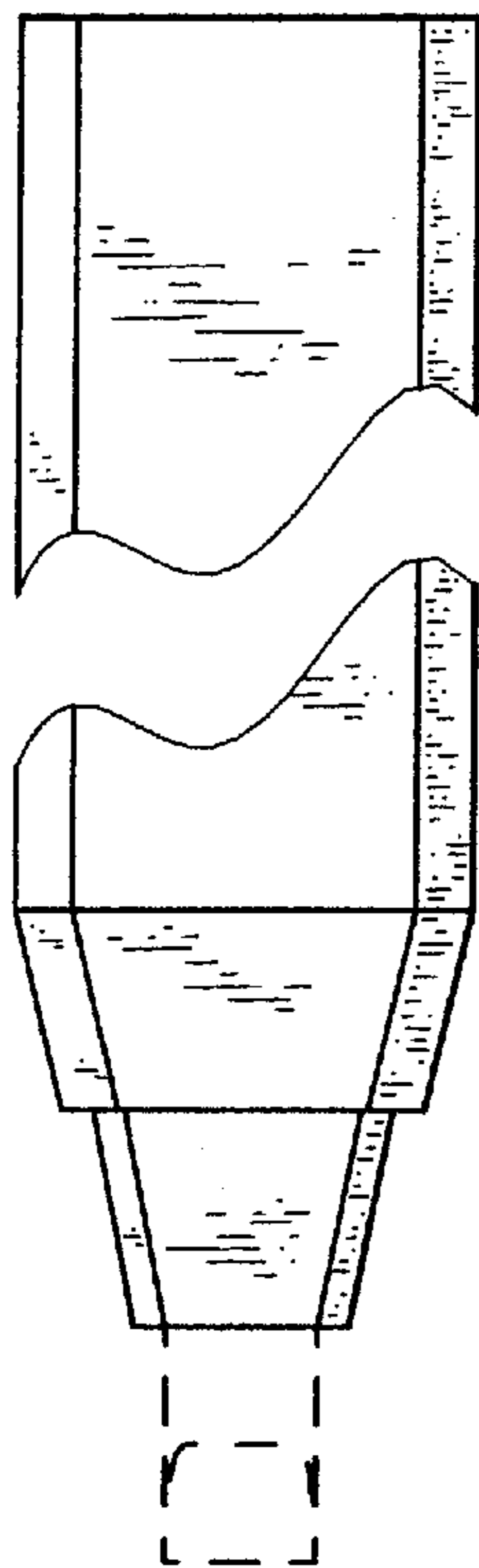


Fig.1

Fig.2

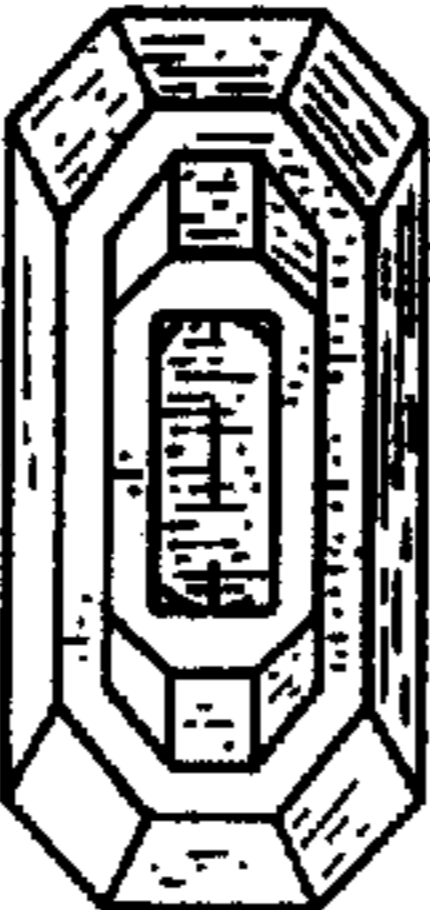


Fig.3

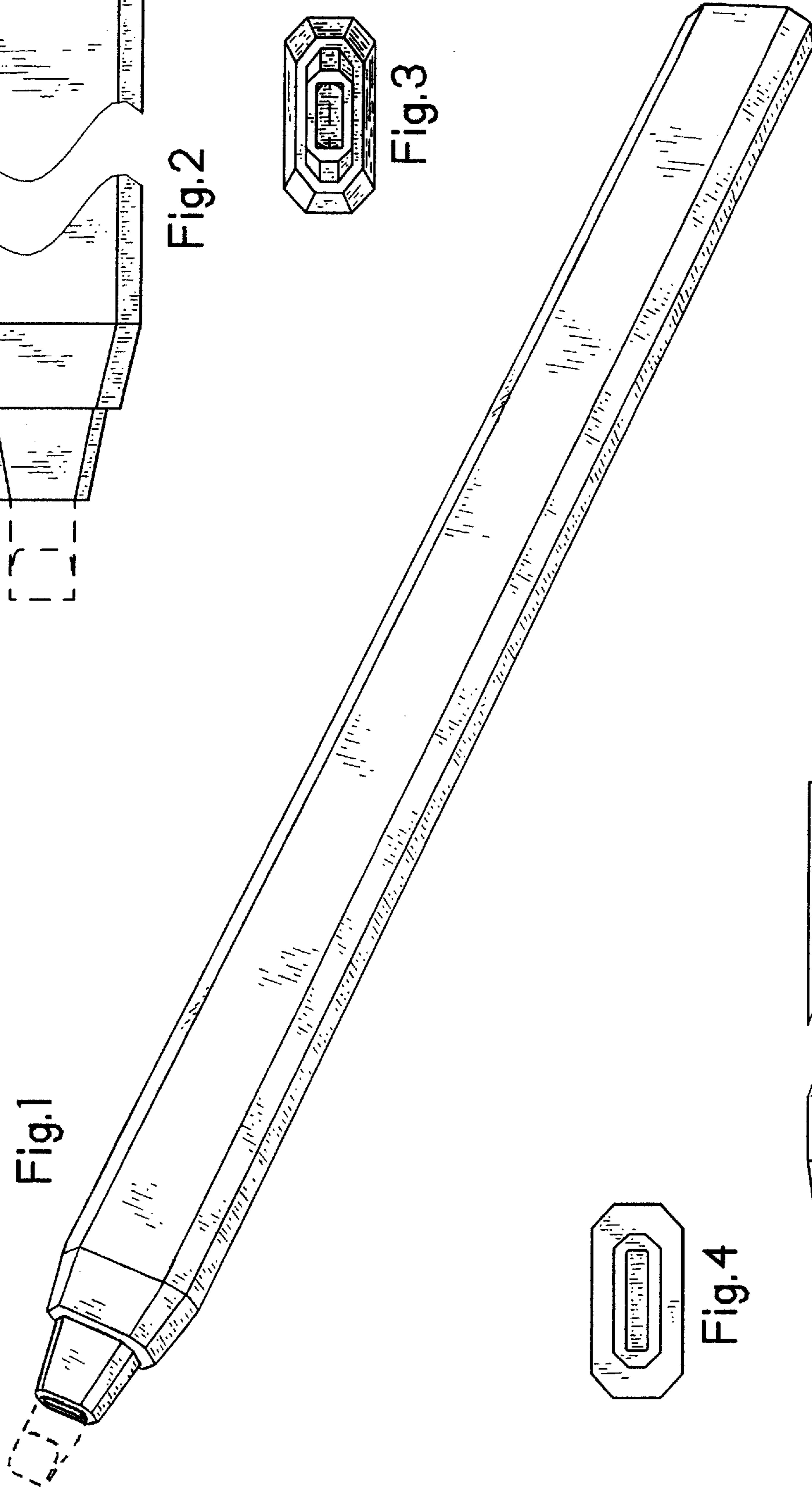


Fig.4

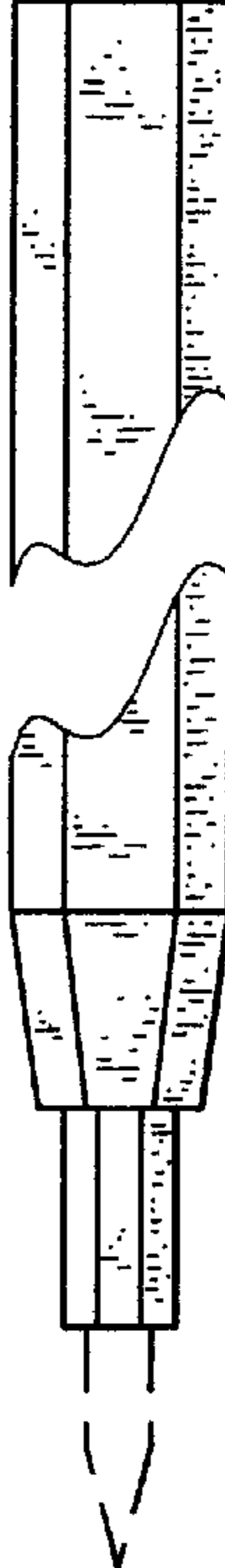


Fig.5

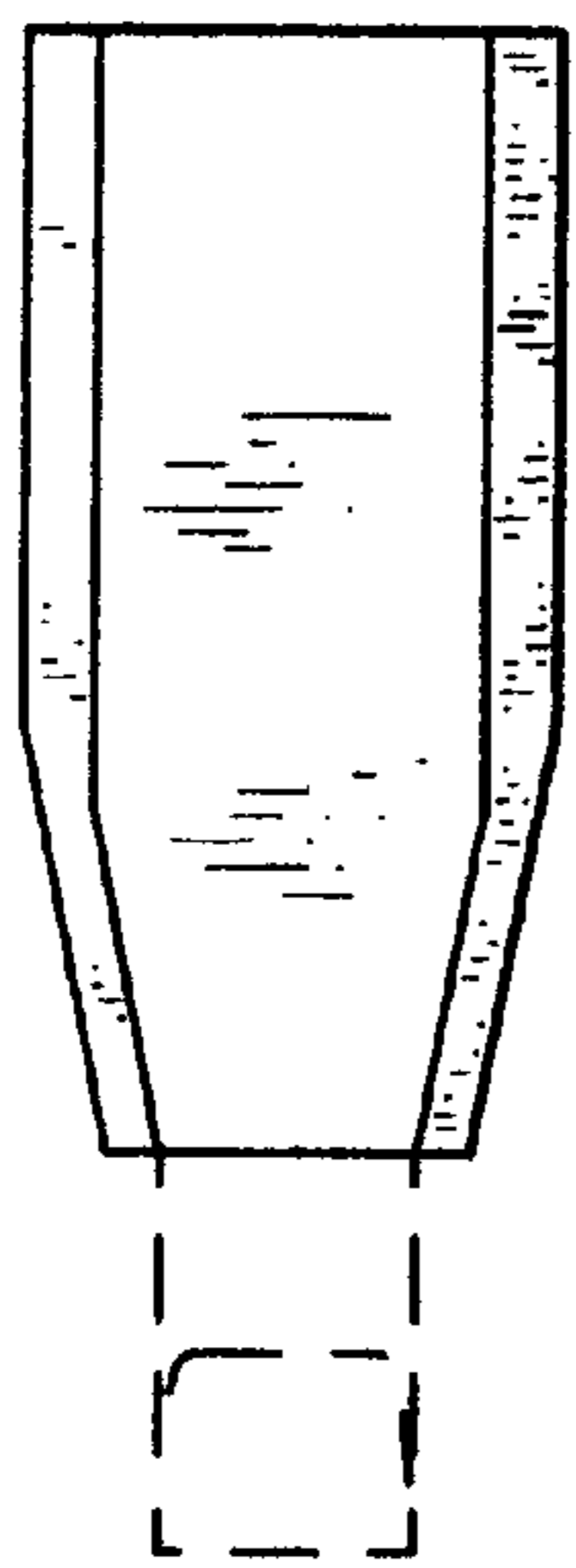


Fig. 6

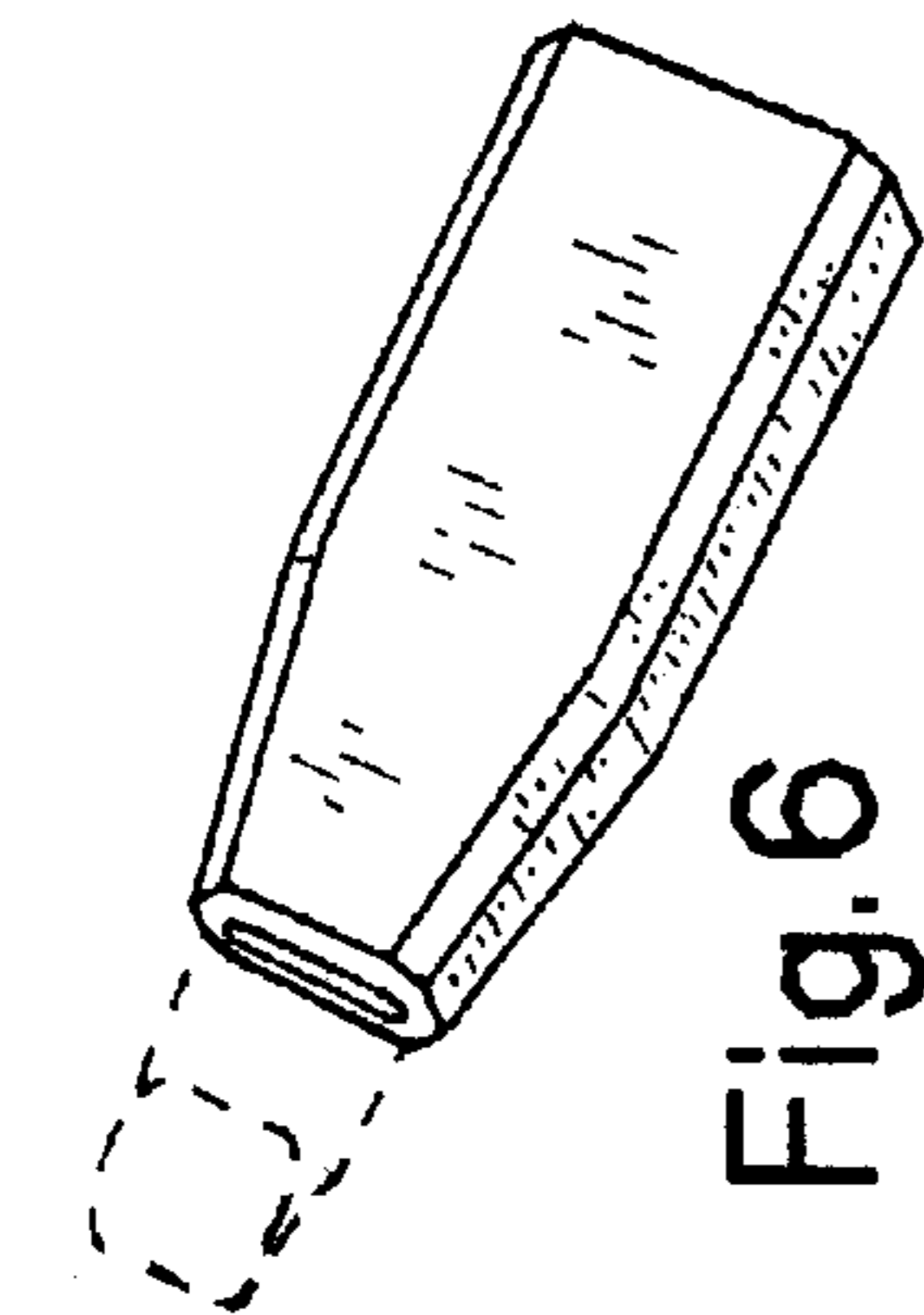


Fig. 7

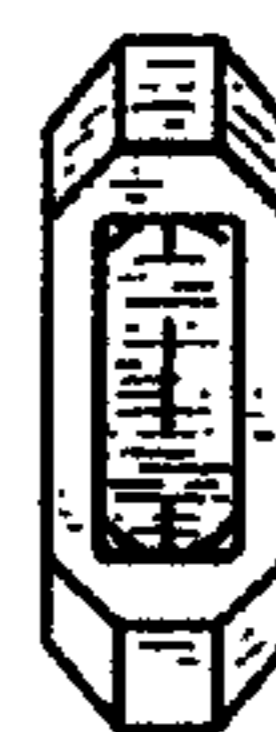


Fig. 8



Fig. 9

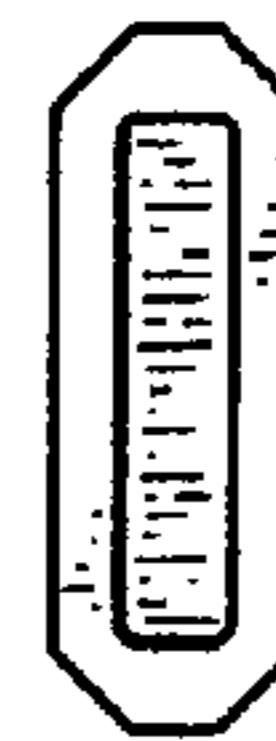


Fig. 10