

US00D501874S

(12) **United States Design Patent**
Ishigami

(10) **Patent No.: US D501,874 S**

(45) **Date of Patent: ** Feb. 15, 2005**

(54) **PRINTER WITH COPYING AND SCANNING FUNCTIONS**

(75) Inventor: **Michifumi Ishigami, Nagoya (JP)**

(73) Assignee: **Brother Industries, Limited, Nagoya (JP)**

(**) Term: **14 Years**

(21) Appl. No.: **29/185,820**

(22) Filed: **Jul. 7, 2003**

(30) **Foreign Application Priority Data**

Jan. 7, 2003 (JP) 2003-000132

(51) **LOC (7) Cl. 14-02**

(52) **U.S. Cl. D18/50; D18/36; D14/422**

(58) **Field of Search D18/19, 36-41, D18/50, 53, 54, 54.1, 55; D14/420-425, 462-470, 349; 400/613, 613.1, 613.4, 690.1-690.4, 691-694; 355/97, 400; 399/1, 3, 81, 87, 107-108, 130, 151**

(56) **References Cited**

U.S. PATENT DOCUMENTS

- D315,574 S * 3/1991 Komada et al. D18/37
- D318,485 S * 7/1991 Hikawa et al. D18/37
- D398,632 S * 9/1998 Dodge et al. D18/36
- D434,067 S * 11/2000 Chen D18/36

- D441,784 S * 5/2001 Leong et al. D18/55
- D456,834 S * 5/2002 Fetherolf et al. D18/36
- D466,149 S * 11/2002 Takeuchi D18/36
- D491,219 S * 6/2004 Shimamura D18/50

* cited by examiner

Primary Examiner—Cathy Anne MacCormac

(74) *Attorney, Agent, or Firm*—Oliff & Berridge, PLC

(57) **CLAIM**

The ornamental design for printer with copying and scanning functions, as shown and described.

DESCRIPTION

FIG. 1 is a front view of a printer with copying and scanning functions;

FIG. 2 is a top view thereof;

FIG. 3 is a right-side view thereof;

FIG. 4 is a left-side view thereof;

FIG. 5 is a bottom view thereof;

FIG. 6 is a perspective view thereof;

FIG. 7 is a perspective view thereof with the main body of the printer in an open position; and,

FIG. 8 is a perspective view thereof showing the environmental scanner lid in an open position.

The rear view contains no ornamentality and is omitted.

The broken line showing is for illustrative purposes only and forms no part of the claimed design.

1 Claim, 5 Drawing Sheets

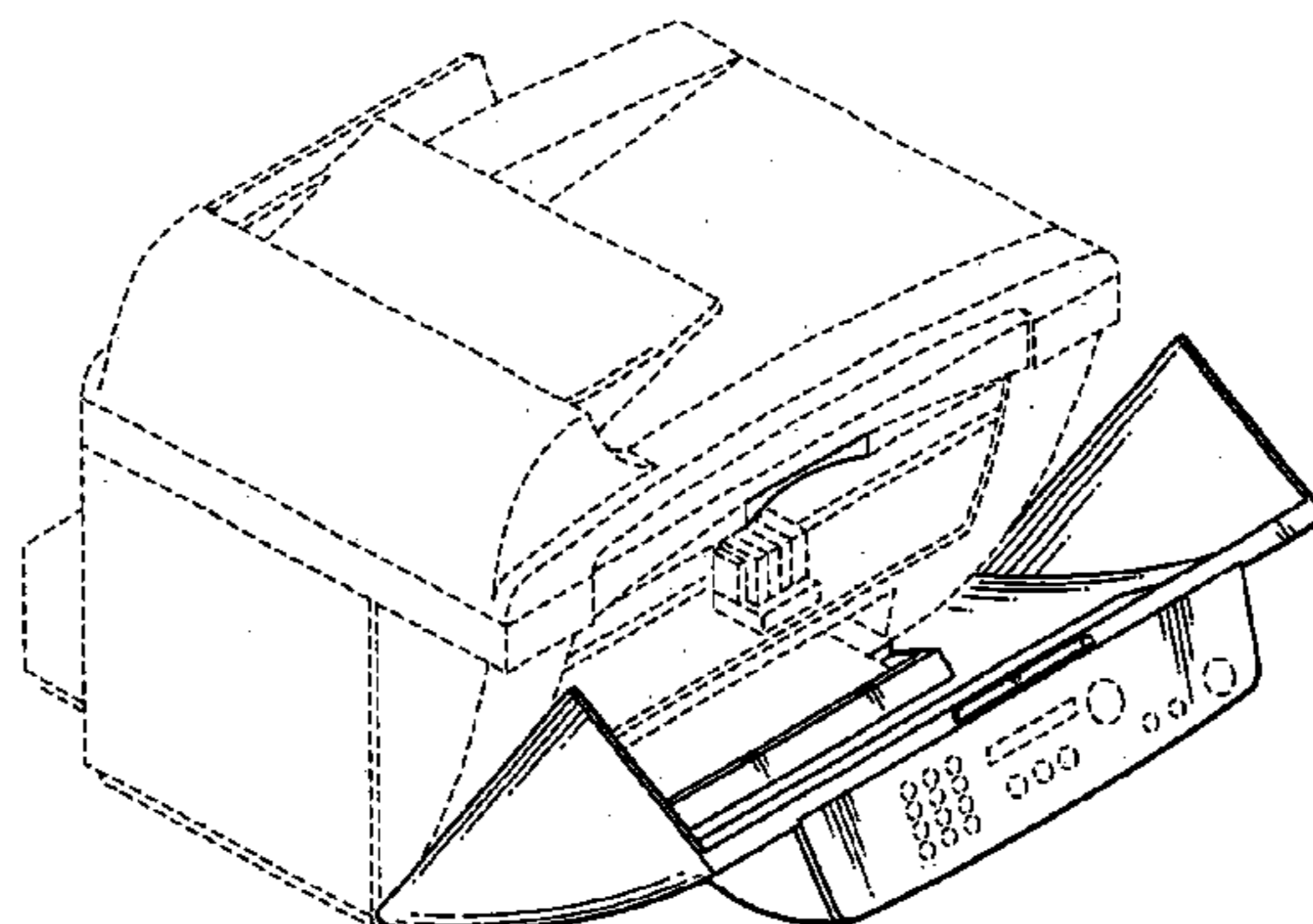
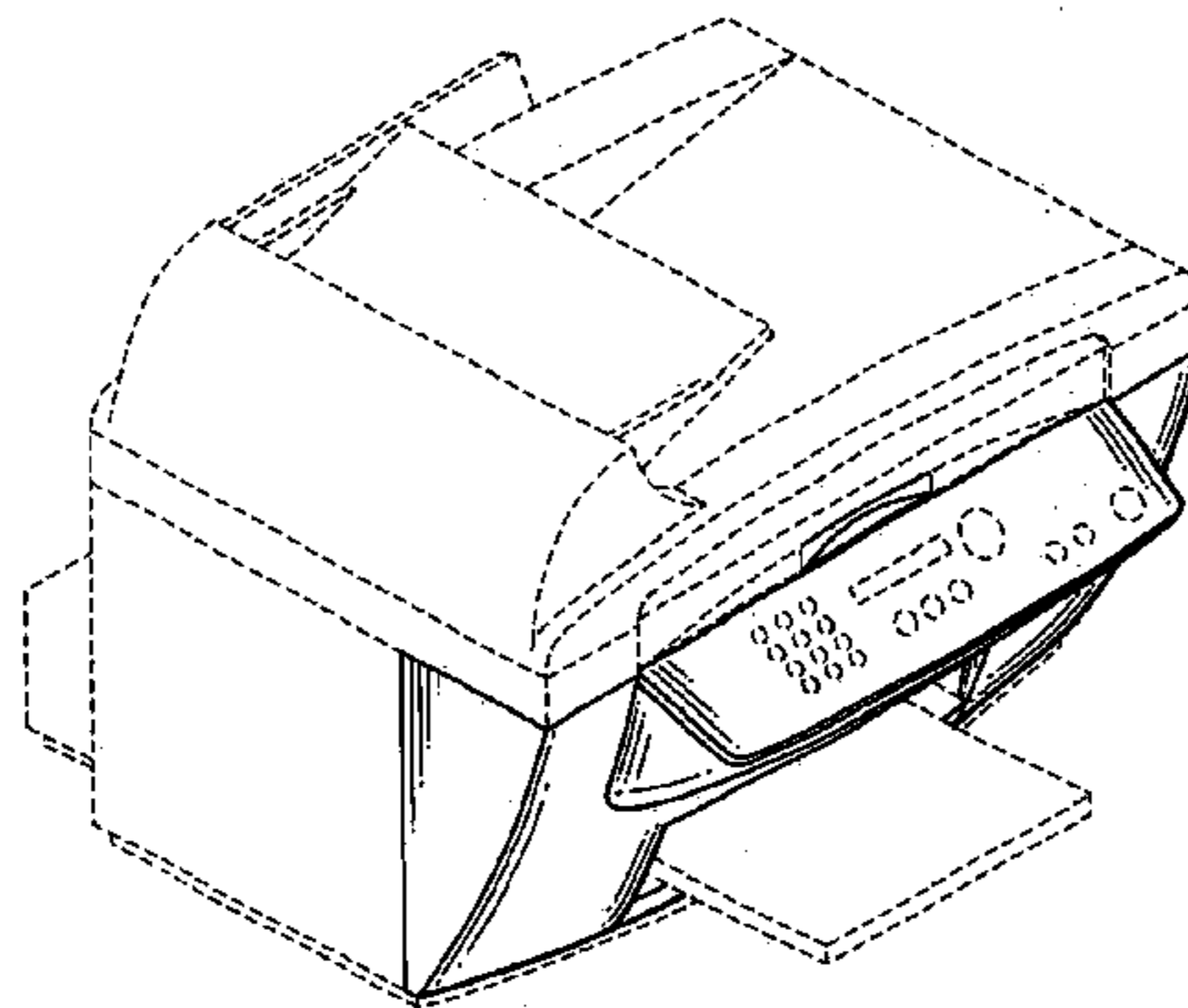


FIG. 2

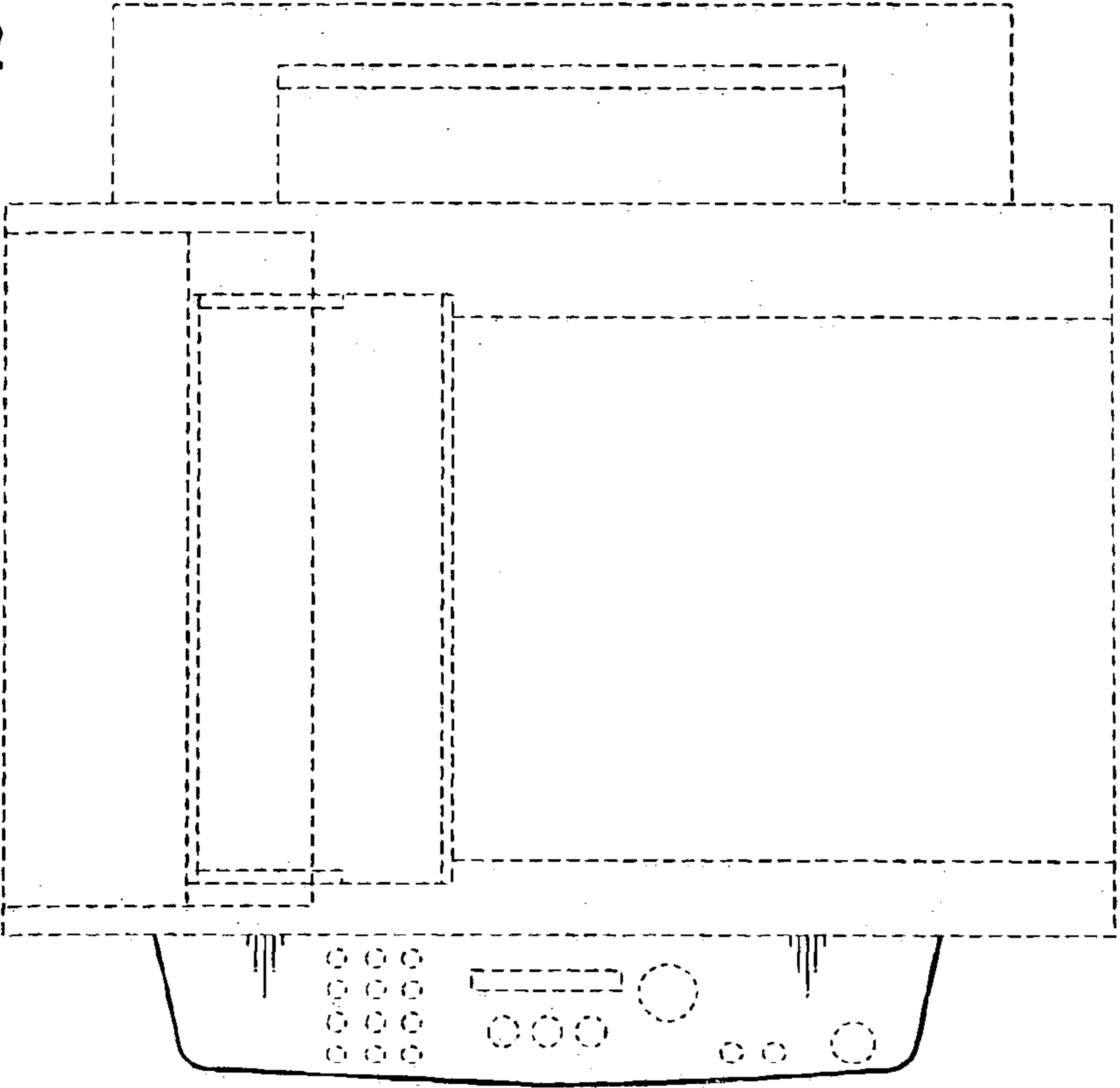
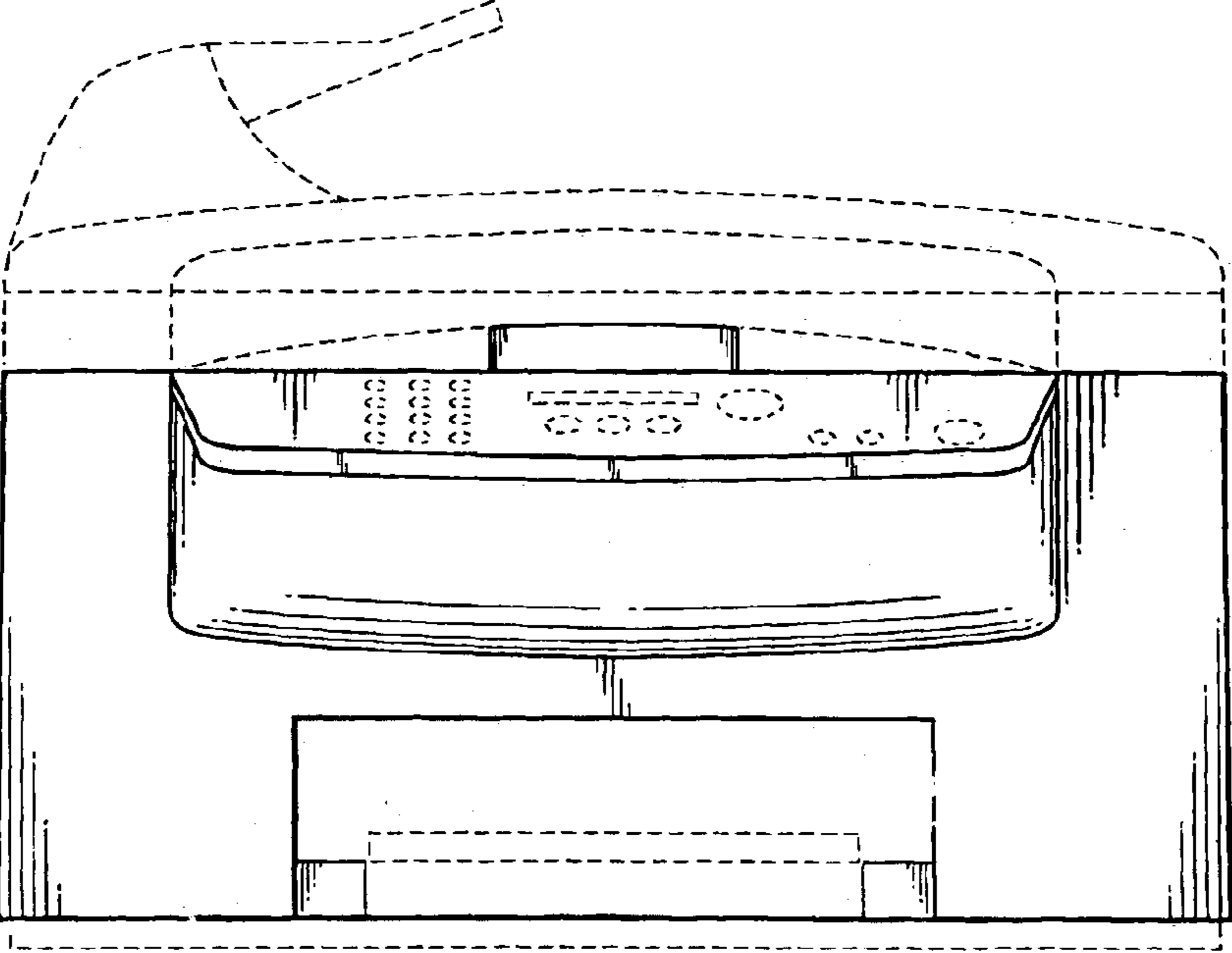


FIG. 1



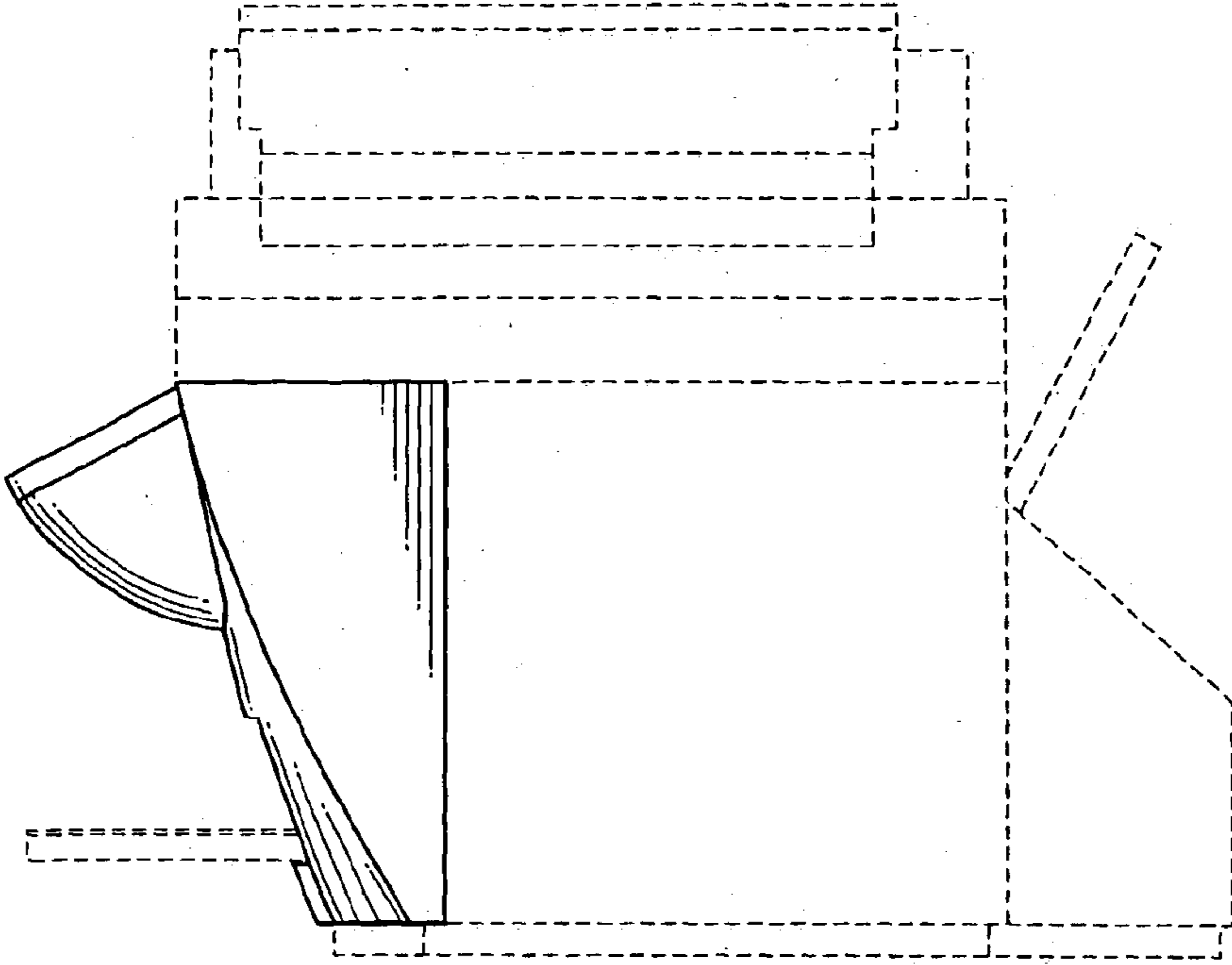


FIG. 3

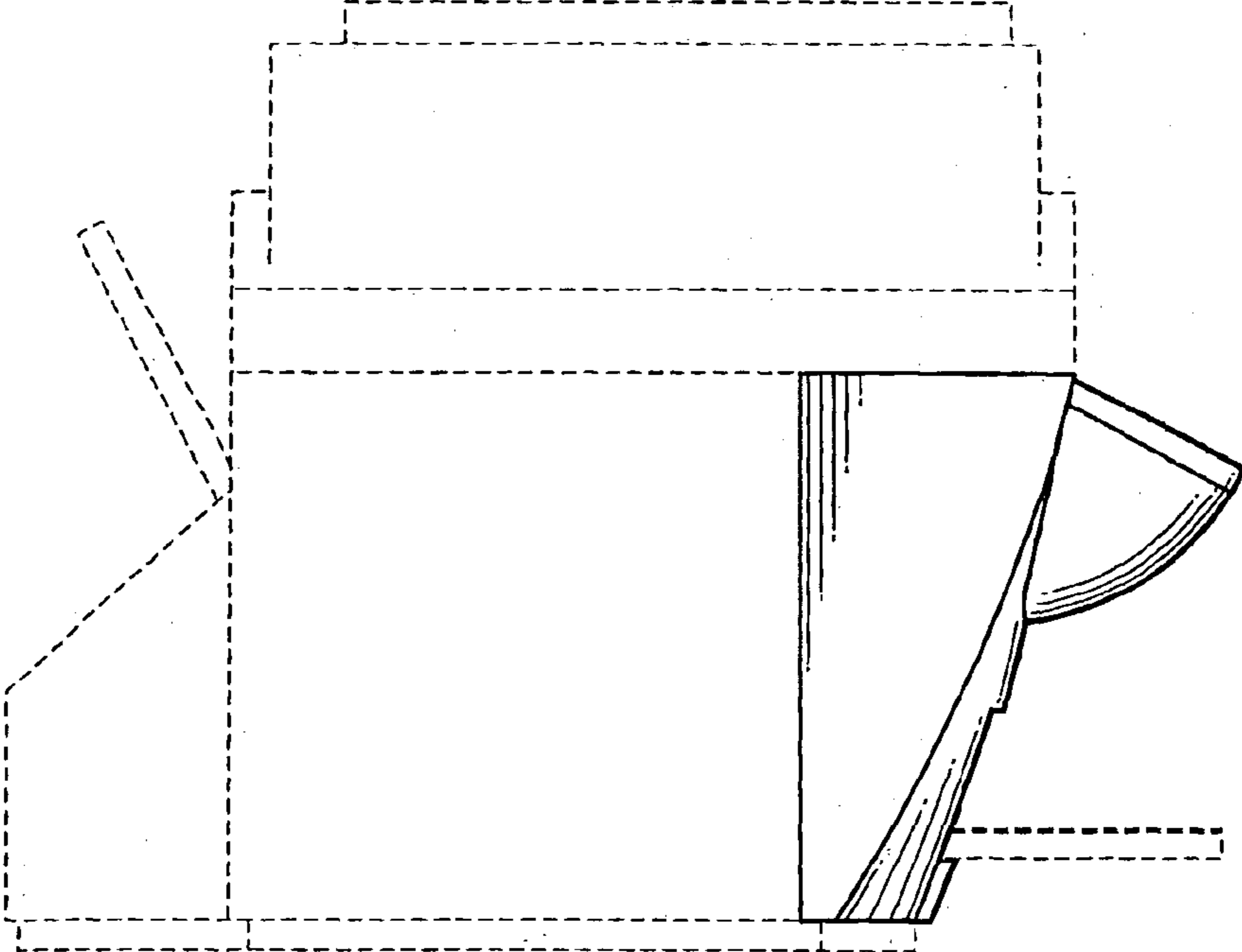


FIG. 4

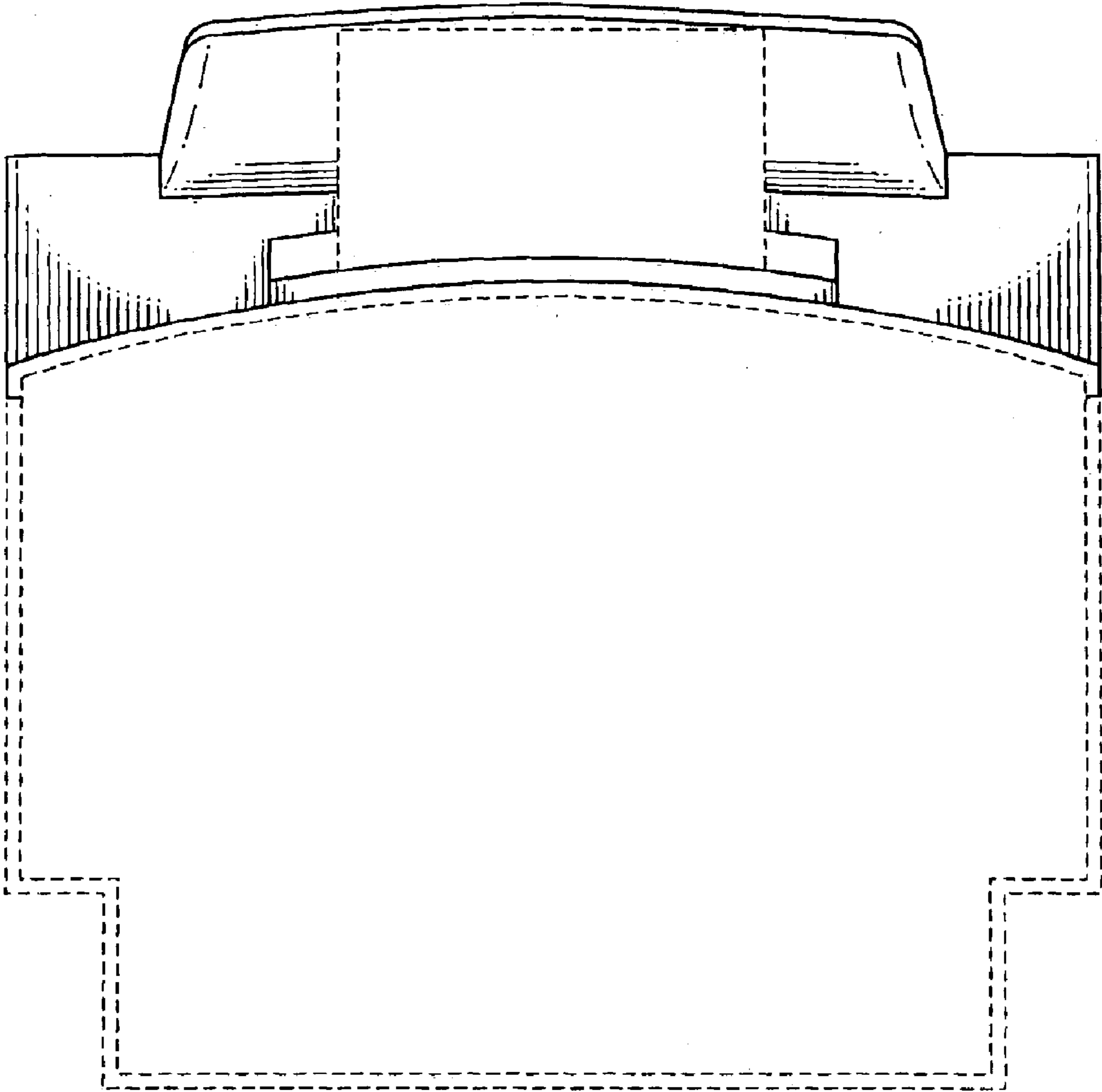


FIG. 5

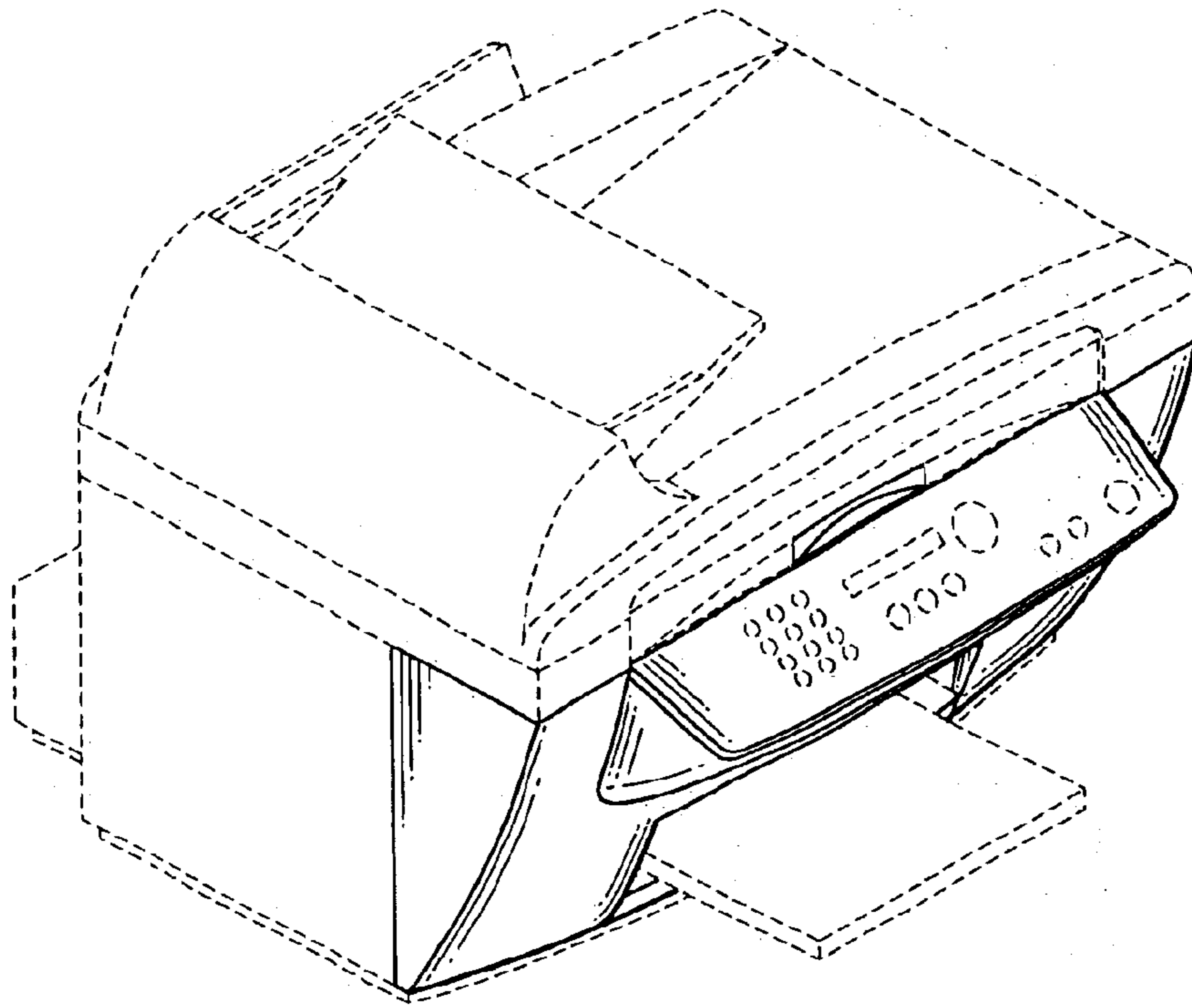


FIG. 6

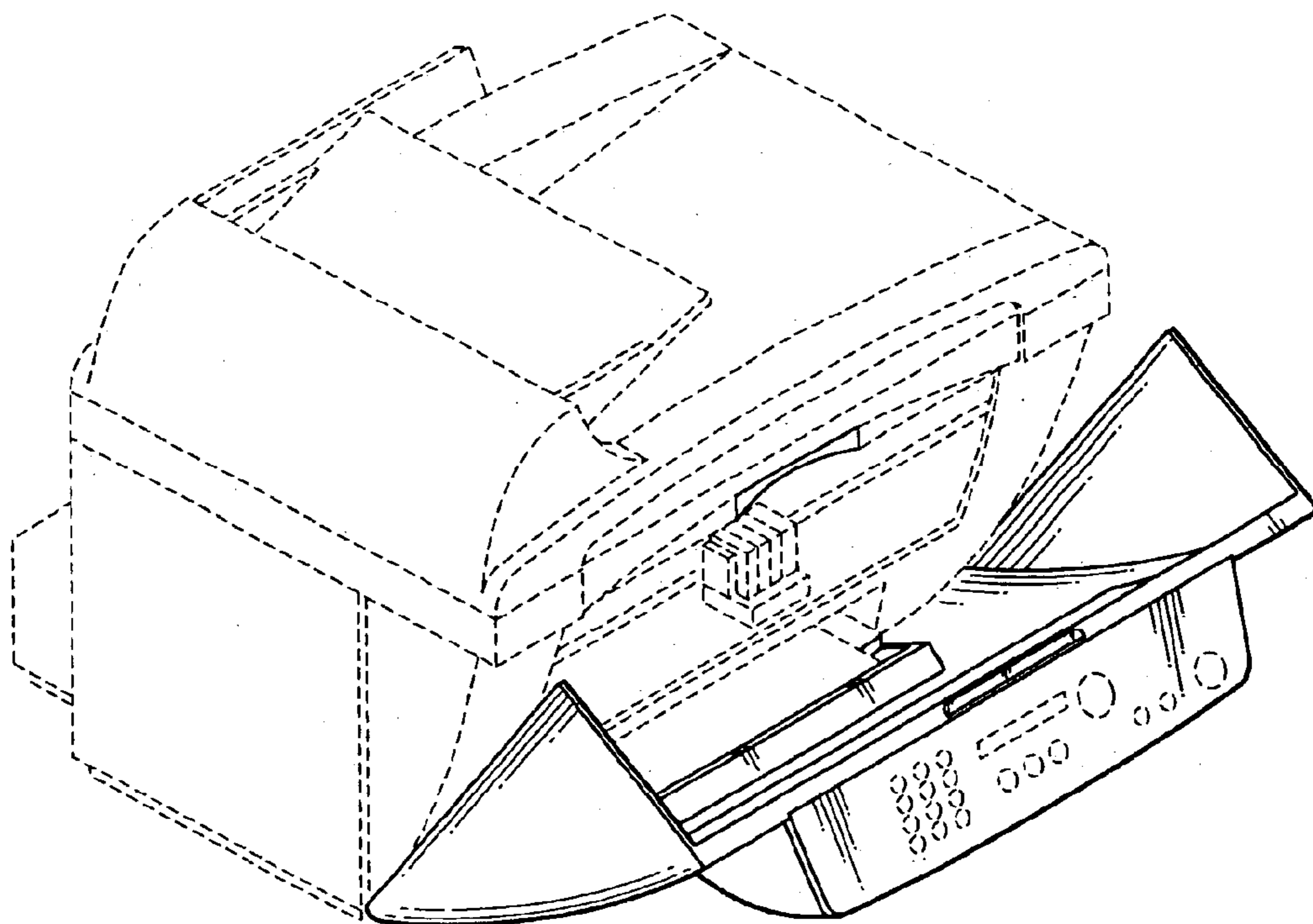


FIG. 7

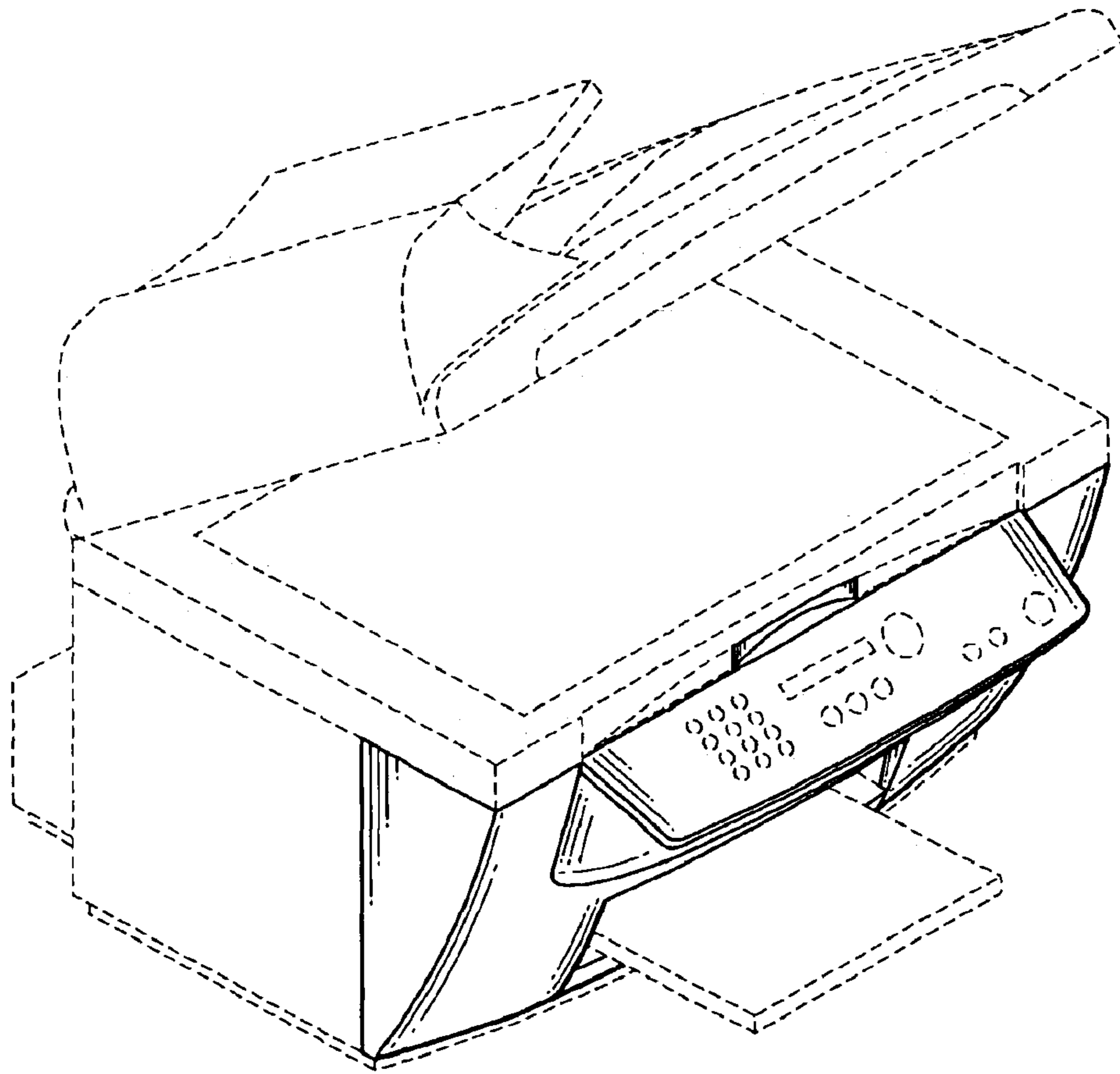


FIG. 8