

US00D501868S

(12) **United States Design Patent**
Chan

(10) **Patent No.: US D501,868 S**

(45) **Date of Patent: ** Feb. 15, 2005**

(54) **CALCULATOR**

(75) Inventor: **Sik-Leung Chan**, New Territories (CN)

(73) Assignee: **C.C. & L Company Limited**, Hong Kong (CN)

(**) Term: **14 Years**

(21) Appl. No.: **29/192,810**

(22) Filed: **Oct. 30, 2003**

(30) **Foreign Application Priority Data**

Jun. 19, 2003 (HK) 0310936

(51) **LOC (7) Cl. 18-01**

(52) **U.S. Cl. D18/7**

(58) **Field of Search** D18/1, 2, 4.1-4.6,
D18/5-7, 10, 11; D14/341, 345, 346; 235/419-434,
61 R-60.22; 364/705.06, 705.07, 706-710;
200/5 A

(56) **References Cited**

U.S. PATENT DOCUMENTS

4,074,088 A * 2/1978 Keough et al. 200/5 A

D312,833 S * 12/1990 Kobayashi D18/7
D335,654 S * 5/1993 Robinson et al. D14/346
D340,255 S * 10/1993 Yip D18/6

* cited by examiner

Primary Examiner—Caron D. Veynar

(74) *Attorney, Agent, or Firm*—Alix, Yale & Ristas, LLP

(57) **CLAIM**

The ornamental design for a calculator, as shown and described.

DESCRIPTION

FIG. 1 is a front perspective view of a calculator showing my new design;

FIG. 2 is a front elevational view thereof;

FIG. 3 is a top plan view thereof;

FIG. 4 is a bottom plan view thereof;

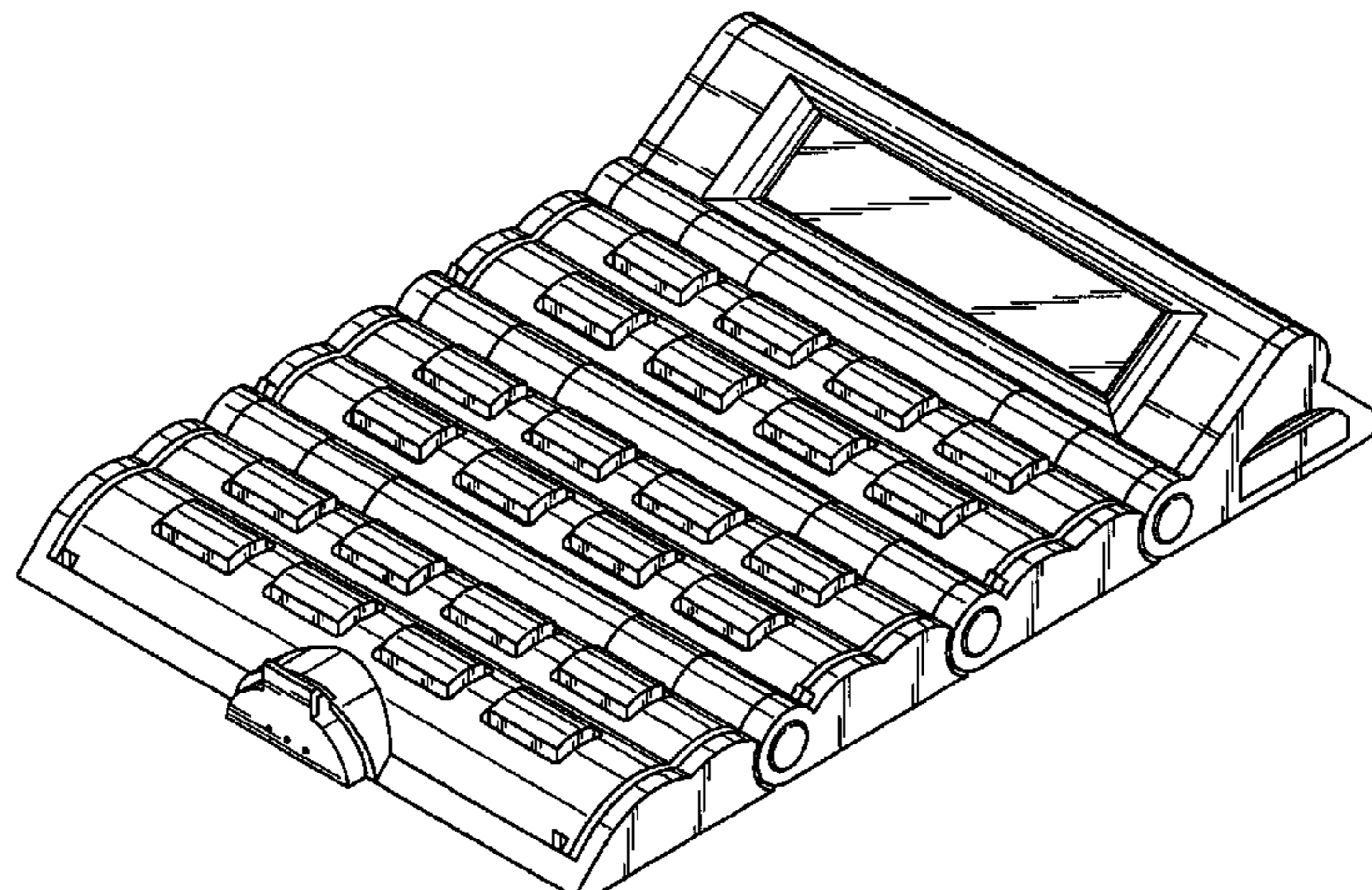
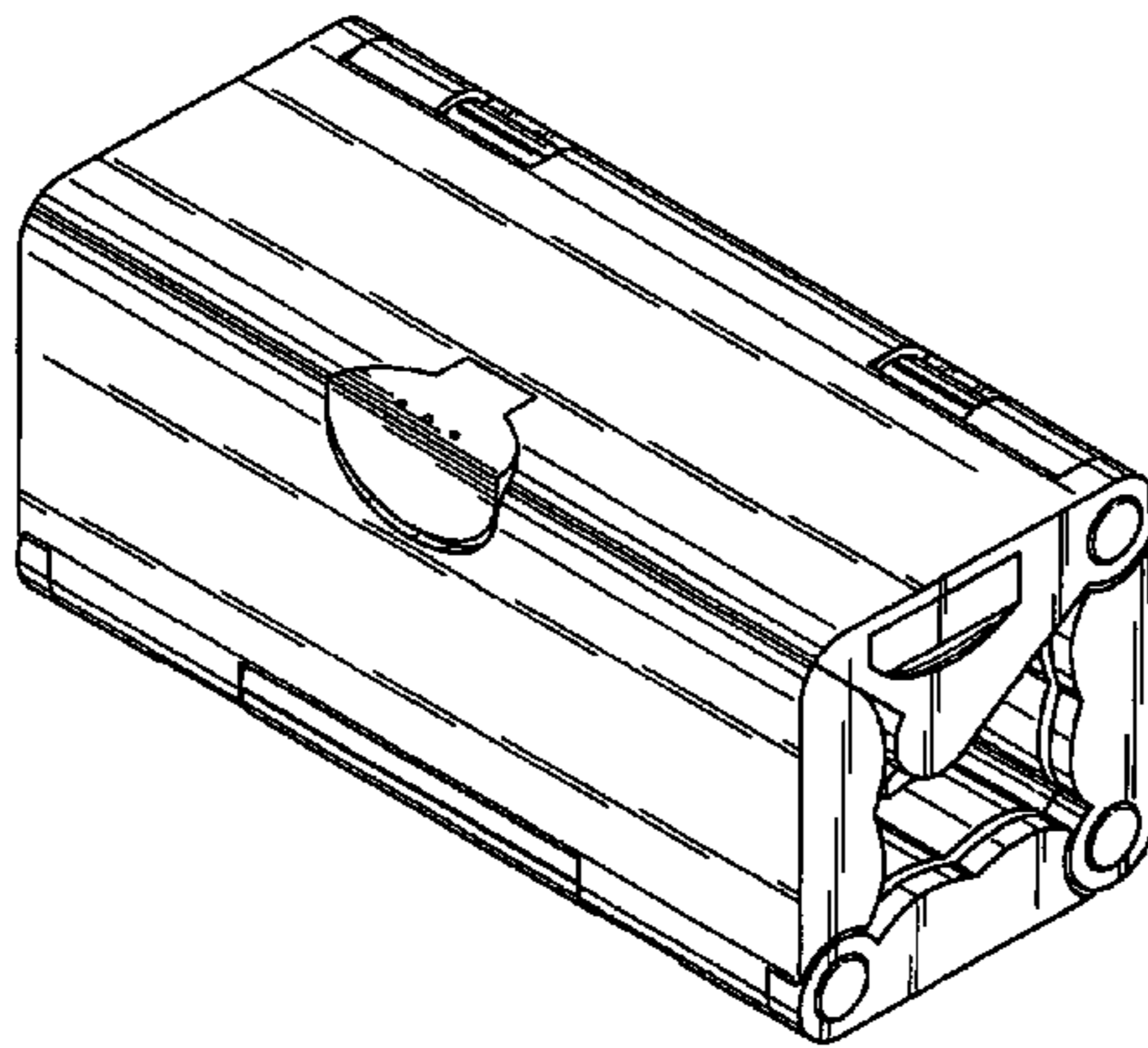
FIG. 5 is a rear elevational view thereof;

FIG. 6 is a left side elevational view thereof;

FIG. 7 is a right side elevational view thereof; and,

FIG. 8 is a front perspective view thereof in an open position.

1 Claim, 4 Drawing Sheets



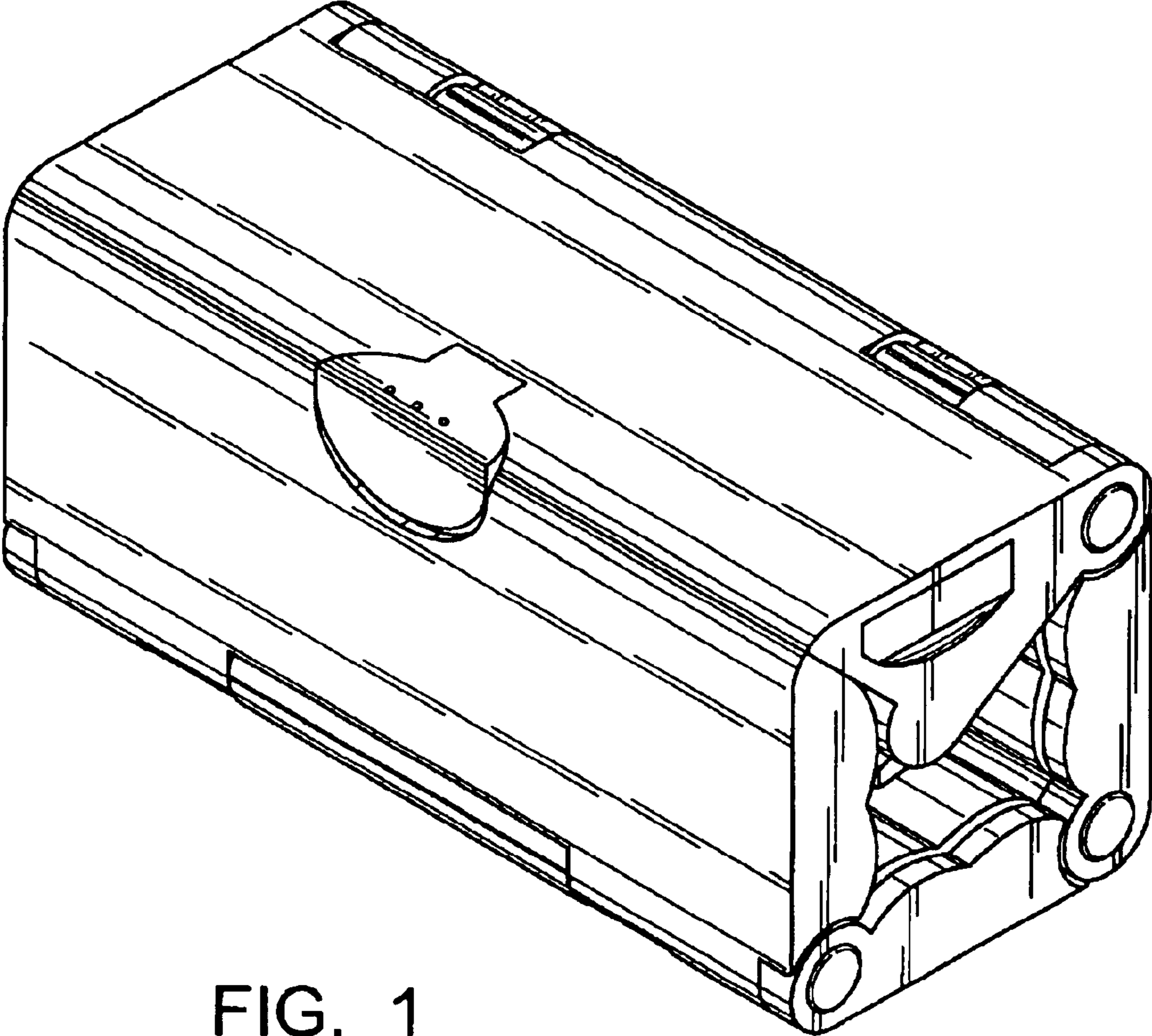


FIG. 1

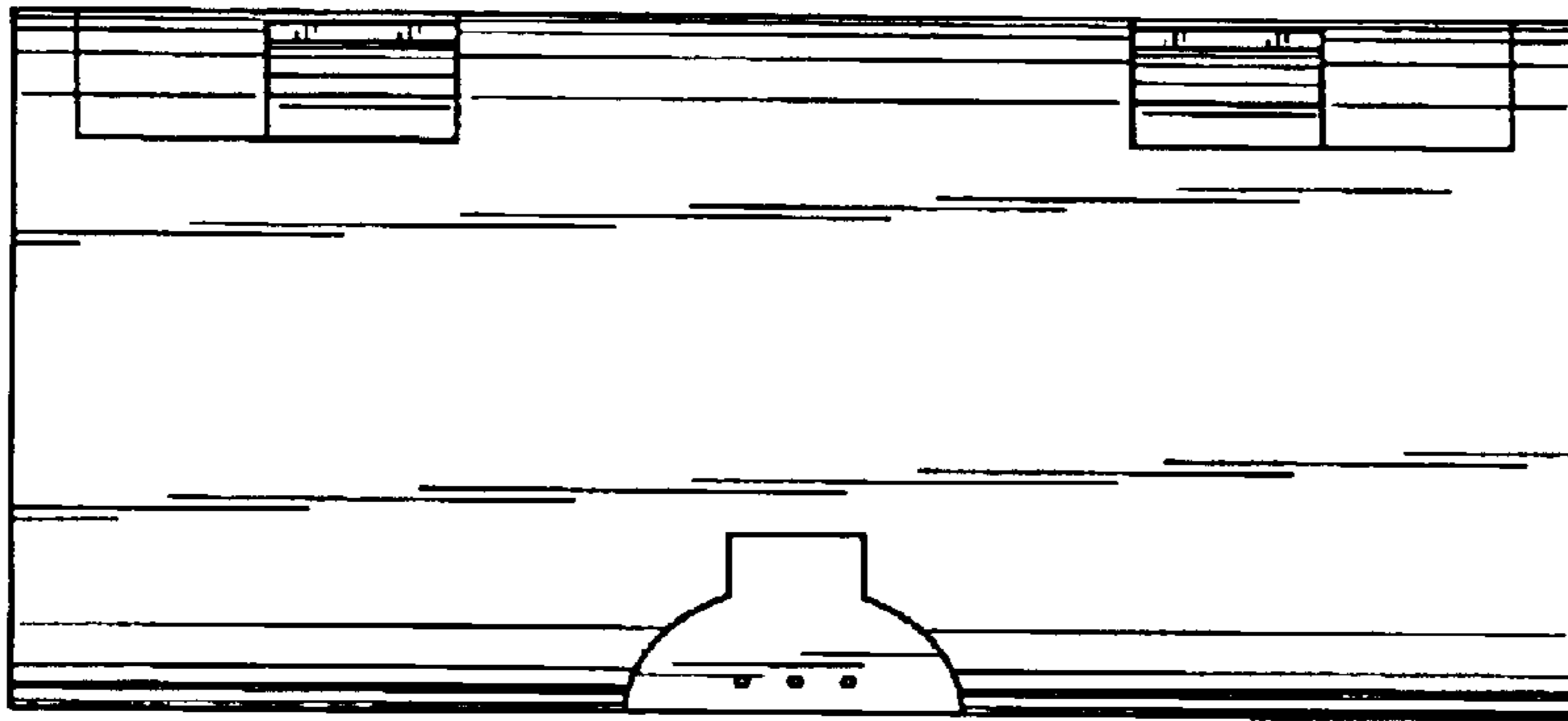


FIG. 3

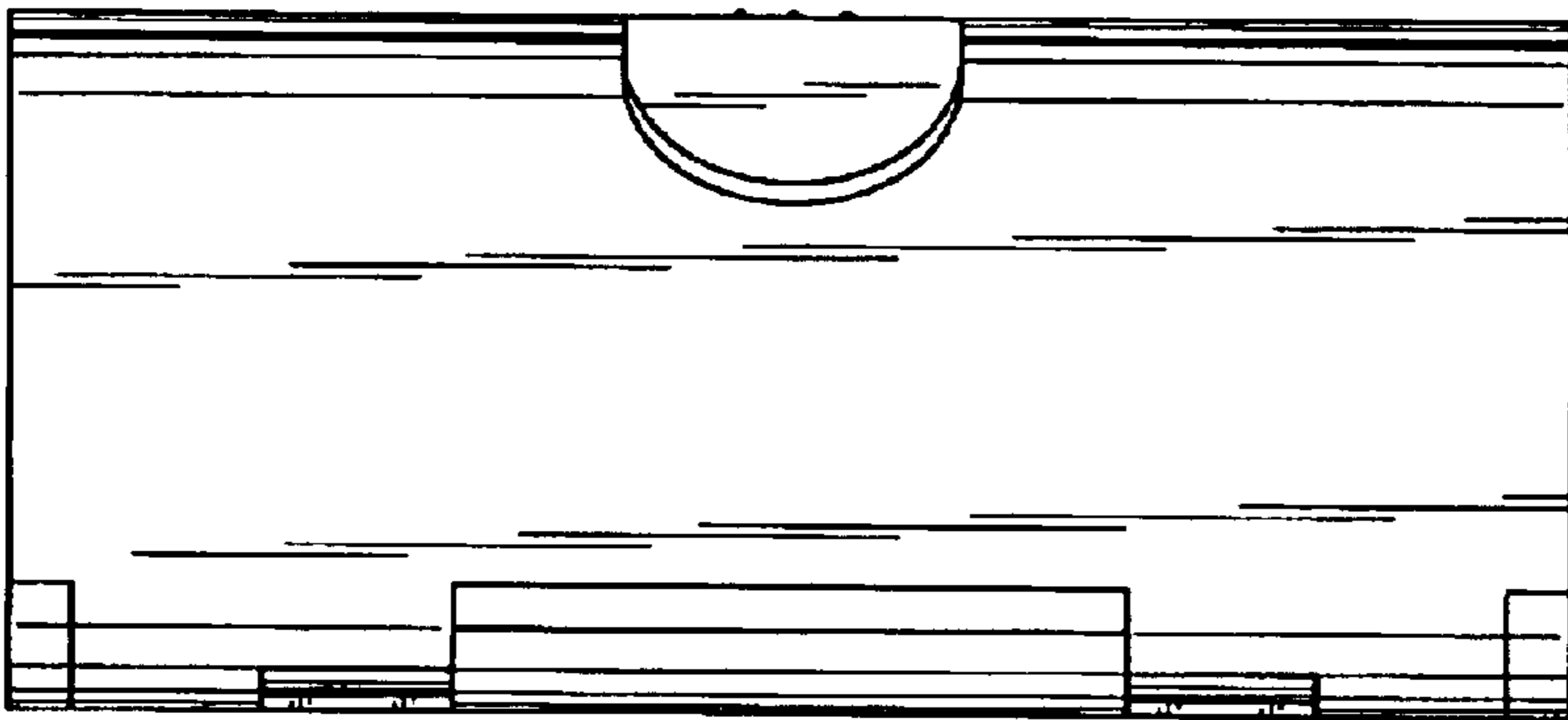


FIG. 2

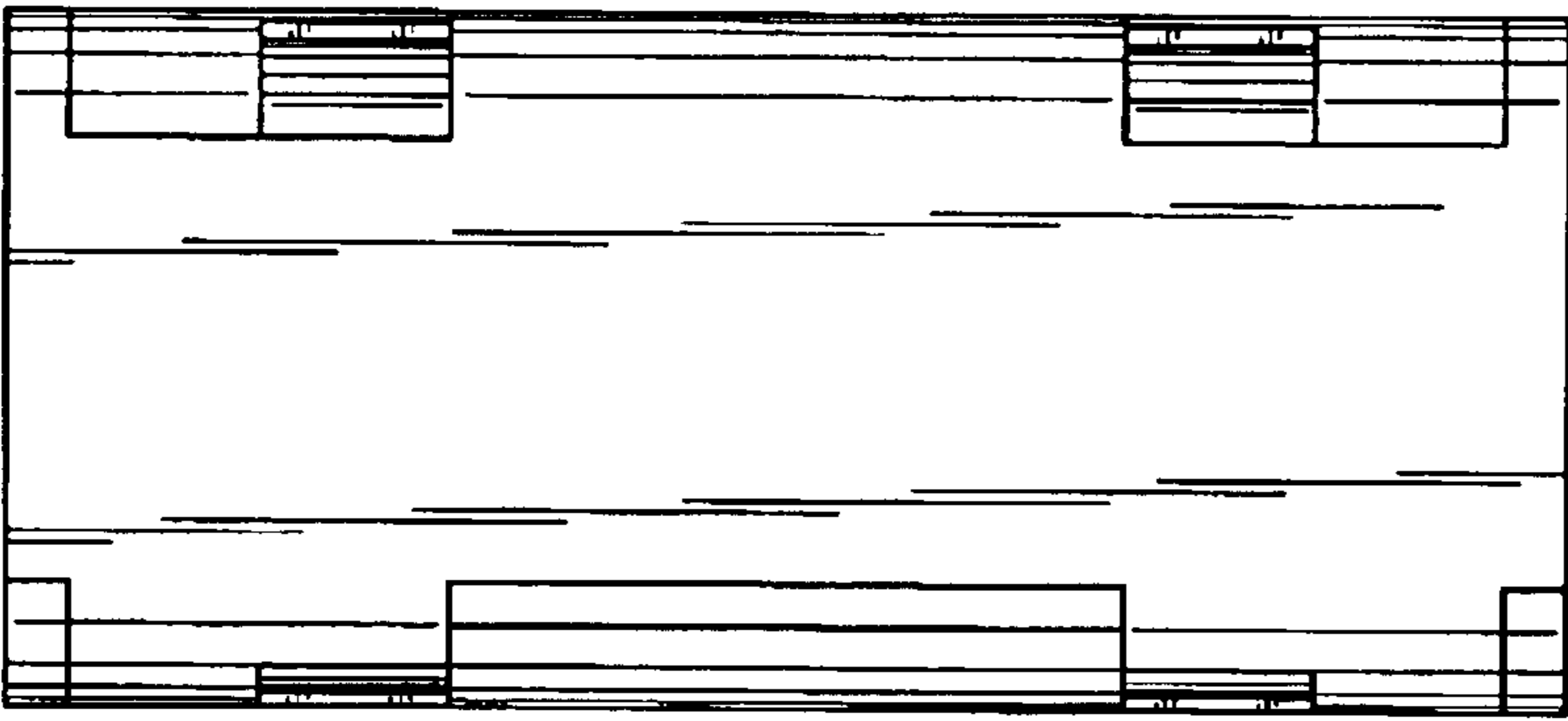


FIG. 4

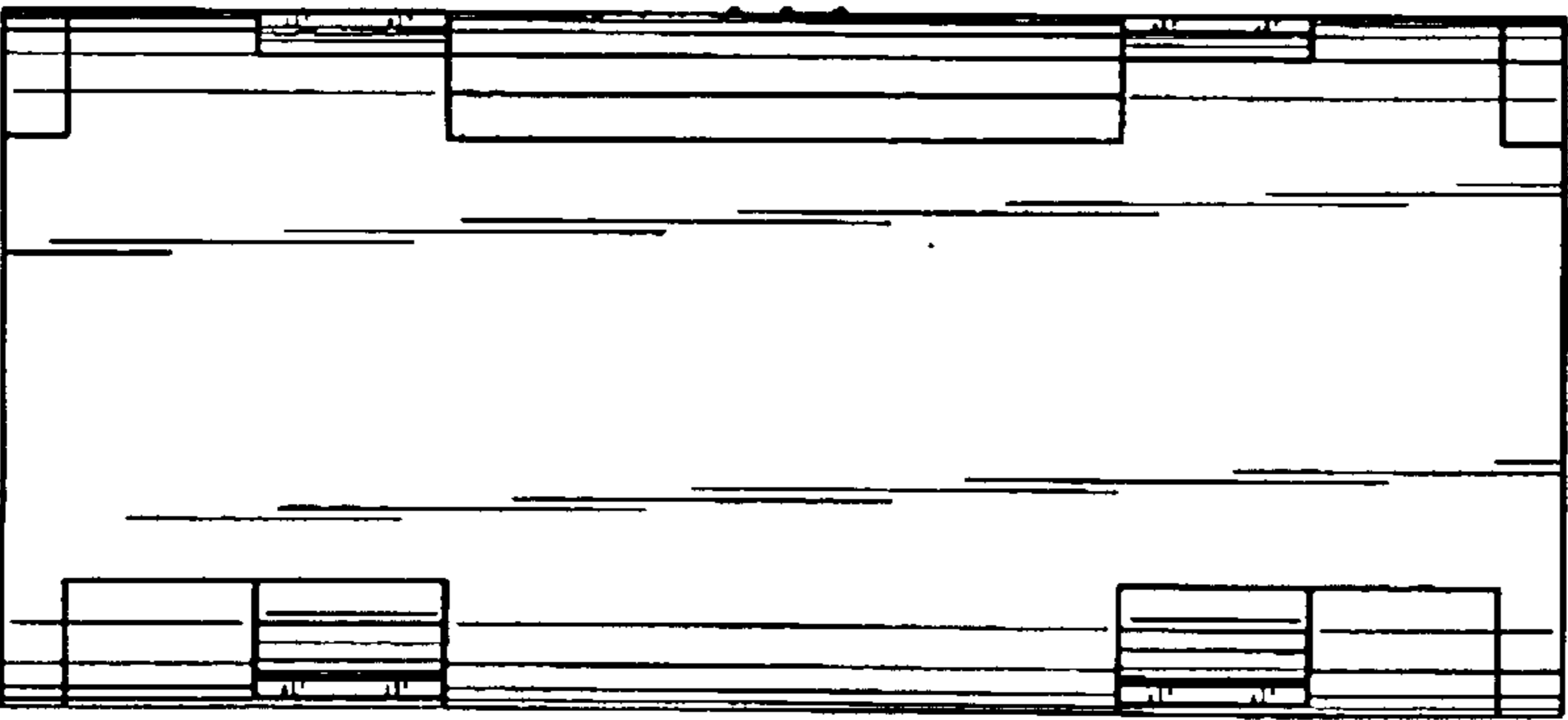


FIG. 5

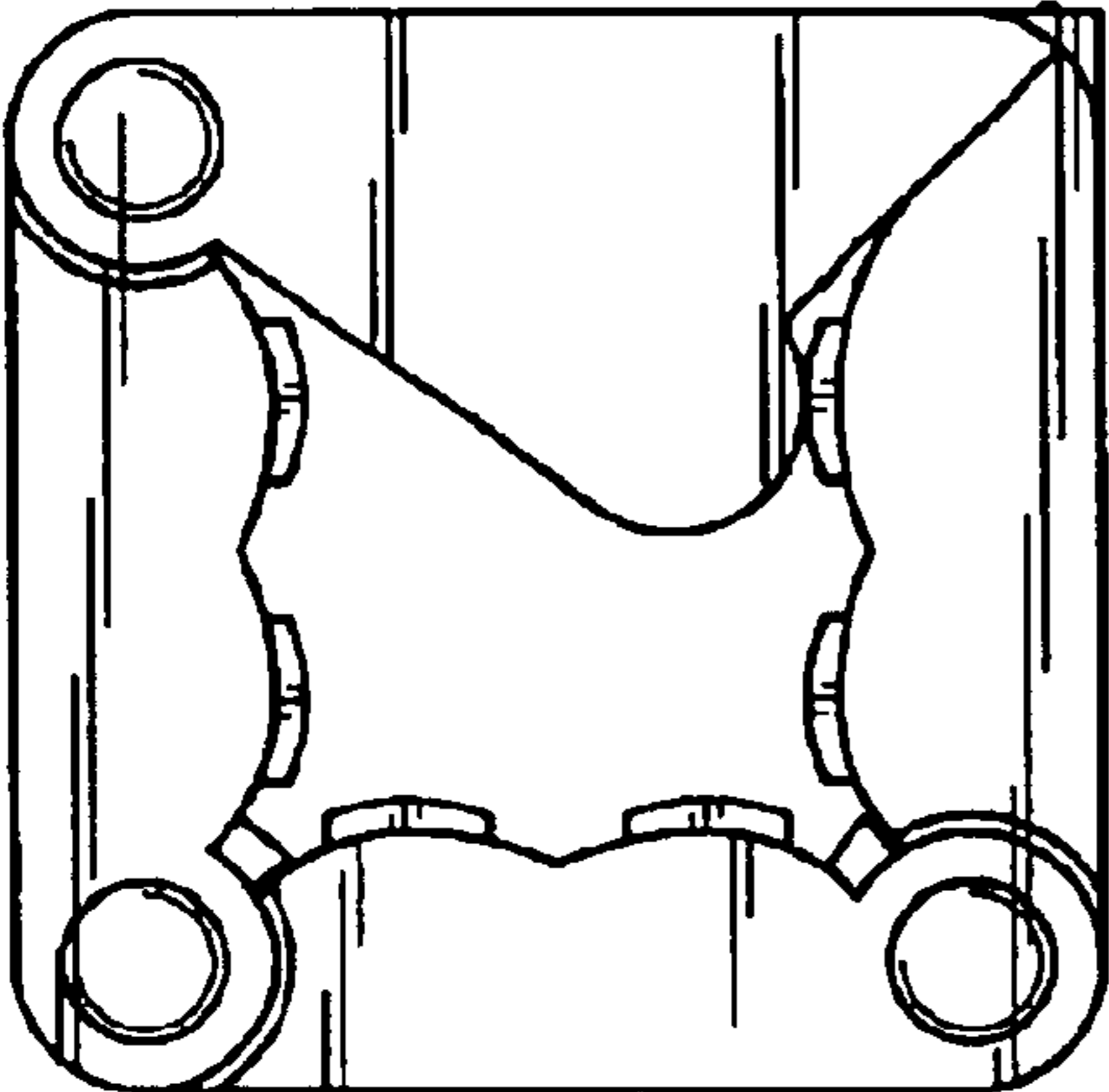


FIG. 6

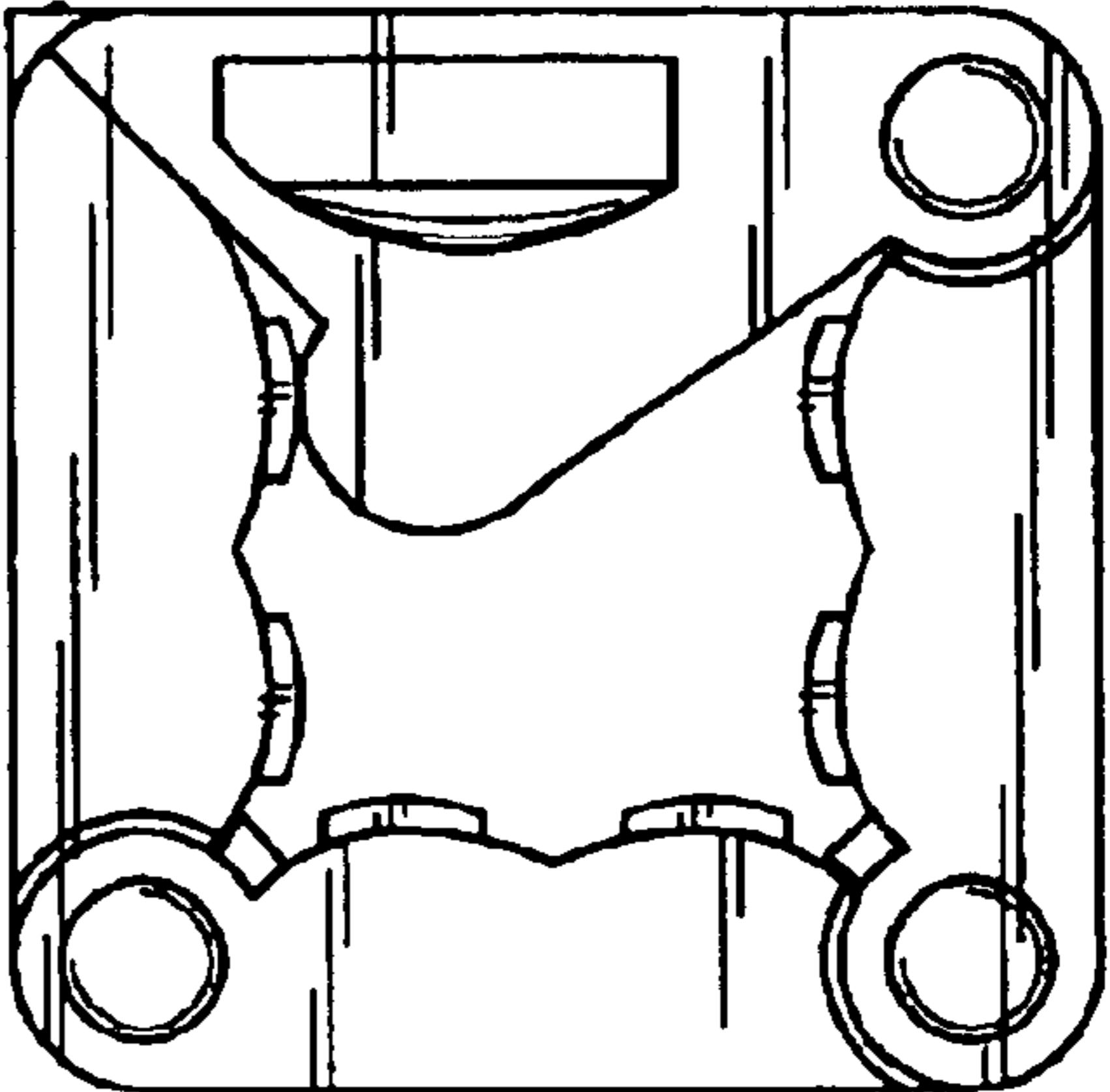


FIG. 7

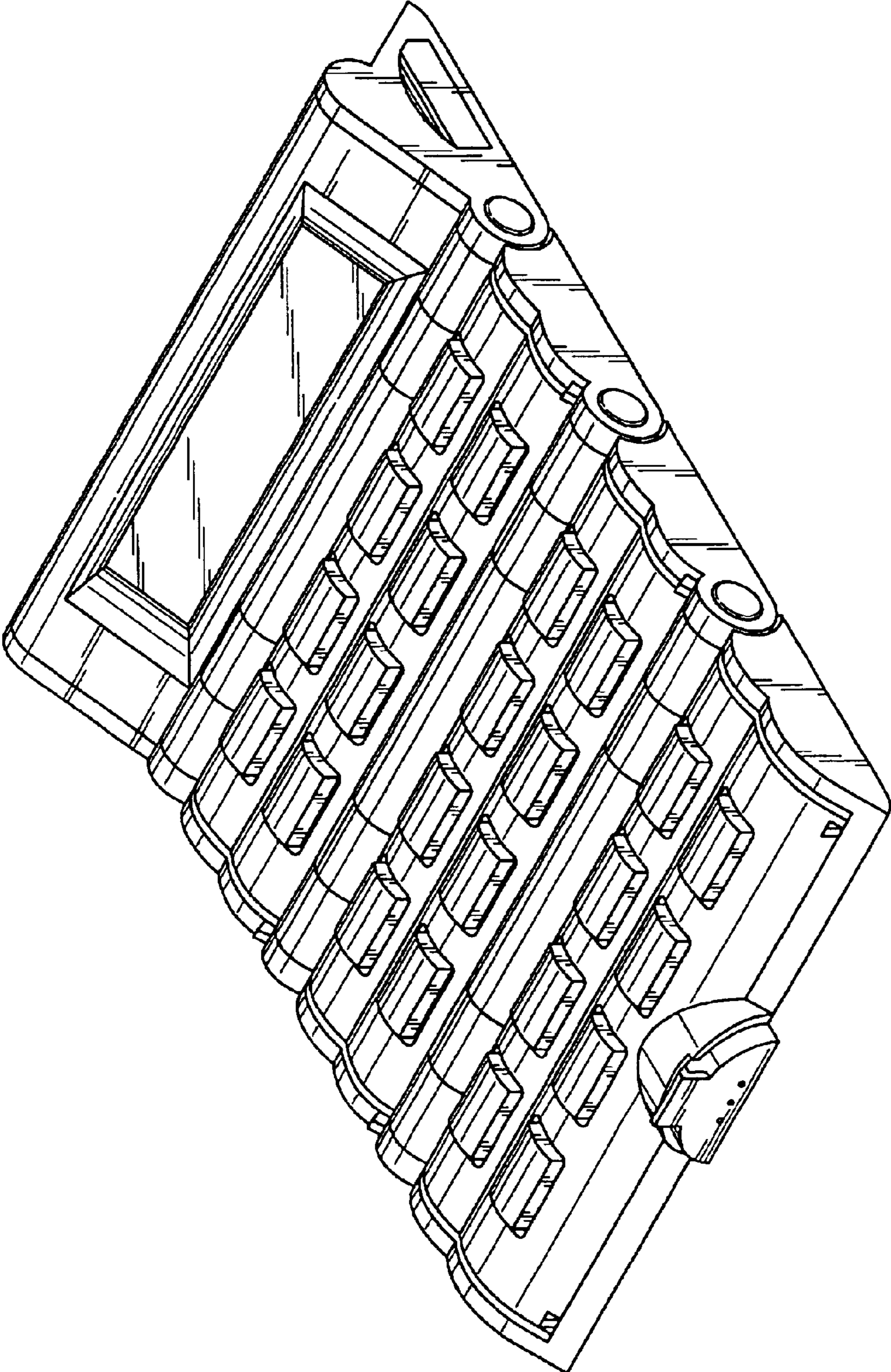


FIG. 8