



US00D501865S

(12) **United States Design Patent**
Li et al.

(10) **Patent No.:** **US D501,865 S**

(45) **Date of Patent:** **** Feb. 15, 2005**

(54) **SLIDING COVER FOR A LENS**

(75) Inventors: **Tsu-Nan Li**, Sanchung (TW); **Te-Hao Liu**, Sanchung (TW); **Chen-Pang Chen**, Sanchung (TW)

(73) Assignee: **Kye Systems Corp.**, Sanchung (TW)

(**) Term: **14 Years**

(21) Appl. No.: **29/190,765**

(22) Filed: **Sep. 24, 2003**

(51) **LOC (7) Cl.** **16-05**

(52) **U.S. Cl.** **D16/219; D16/212**

(58) **Field of Search** D16/200-204,
D16/208, 212, 218, 219; 348/373-376;
358/909.1; 396/6, 349, 448, 535, 536-541

(56) **References Cited**

U.S. PATENT DOCUMENTS

D283,427 S * 4/1986 Iguchi D16/212
D430,186 S * 8/2000 Suzuki et al. D16/218

D445,440 S * 7/2001 Chen D16/202
6,302,598 B1 * 10/2001 Shiono et al. 396/349
D487,476 S * 3/2004 Komatsu D16/219

* cited by examiner

Primary Examiner—Adir Aronovich

(74) *Attorney, Agent, or Firm*—Dellett & Walters

(57) **CLAIM**

The ornamental design for a sliding cover for a lens, as shown and described.

DESCRIPTION

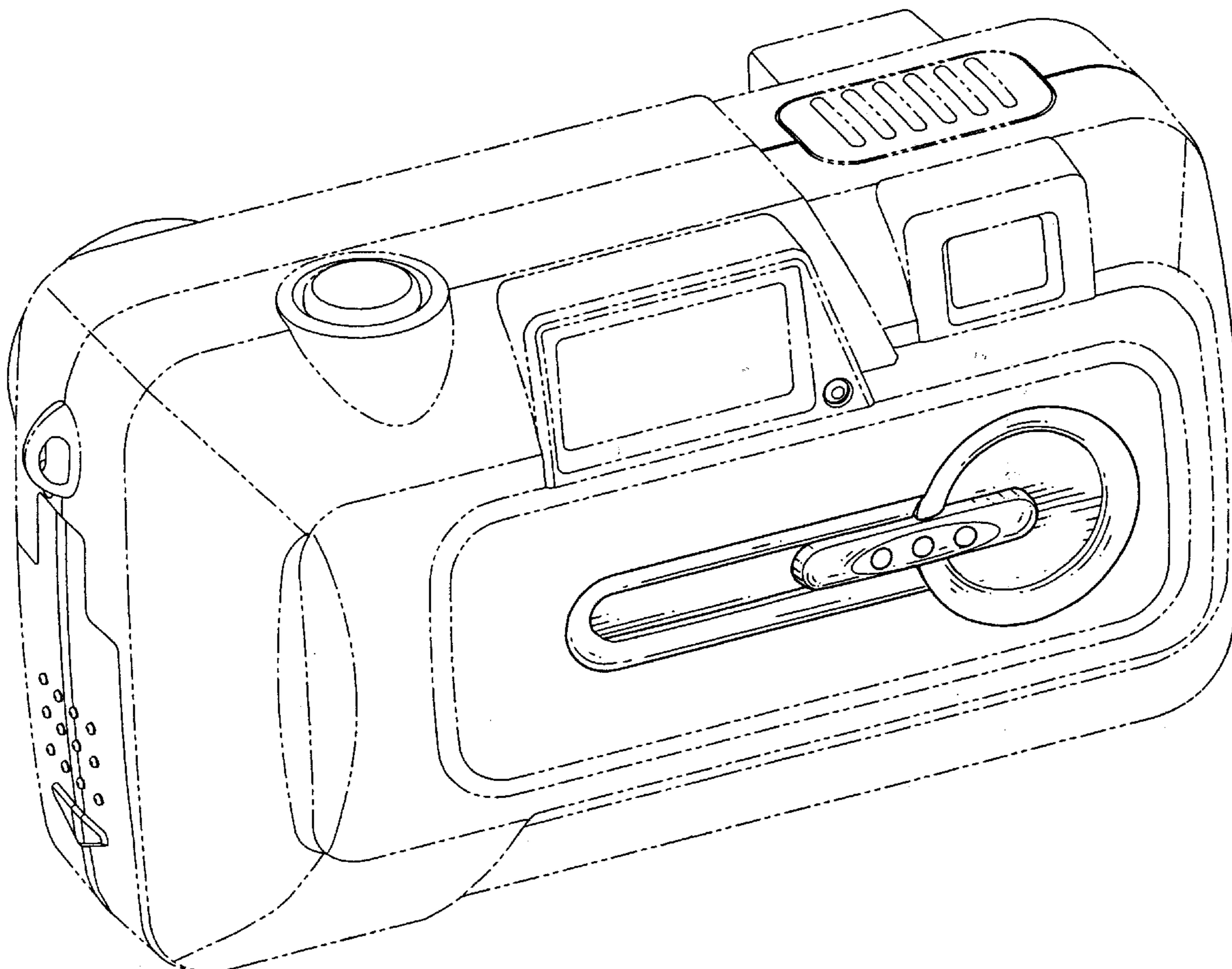
FIG. 1 is a perspective view of a sliding cover for a lens, showing our new design;

FIG. 2 is a front elevational view thereof; and,

FIG. 3 is a reduced perspective view thereof, showing the sliding cover in an open position to show the lens.

The broken lines showing throughout the drawing views are for illustrative purpose only and form no part of the claimed design.

1 Claim, 3 Drawing Sheets



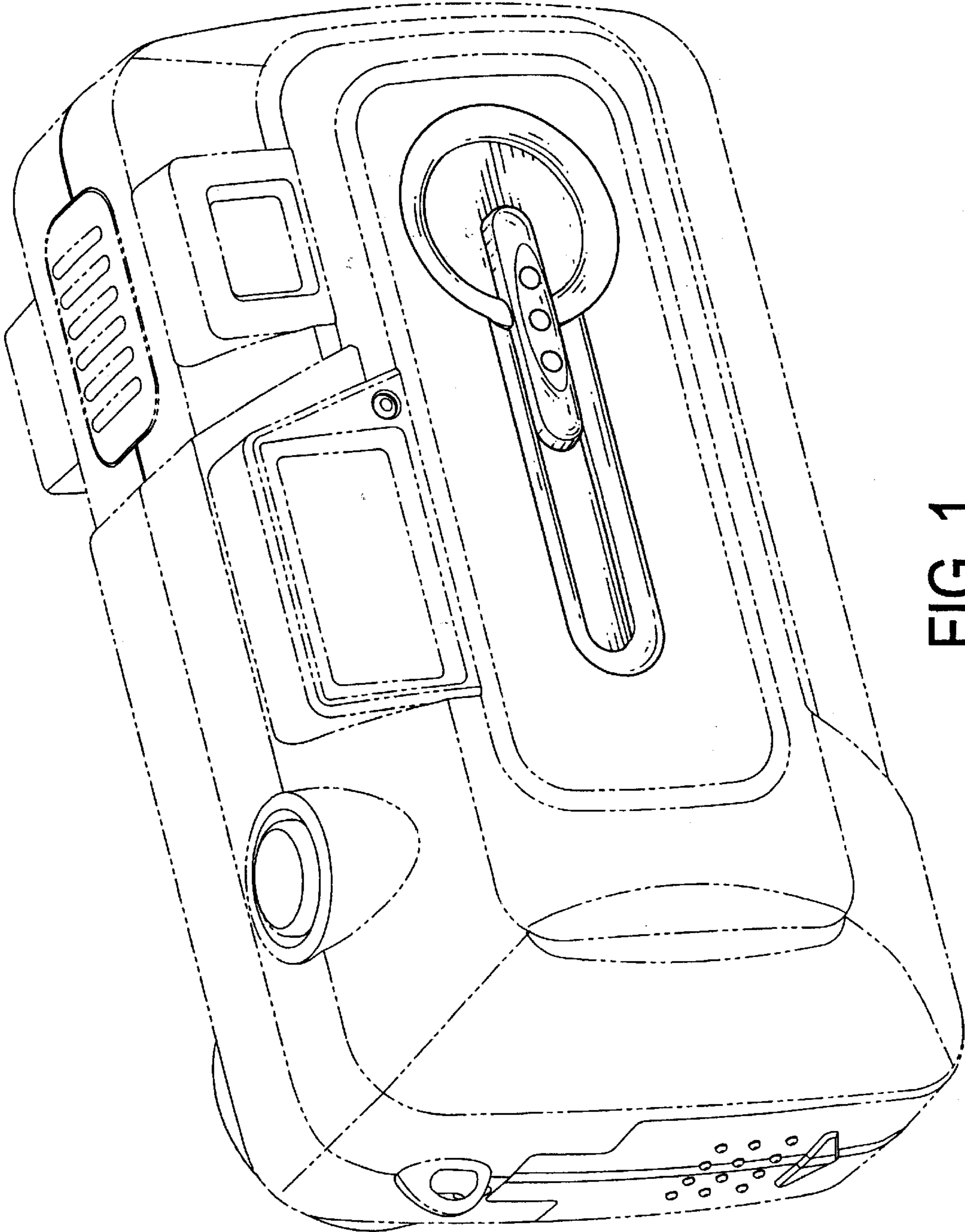


FIG. 1

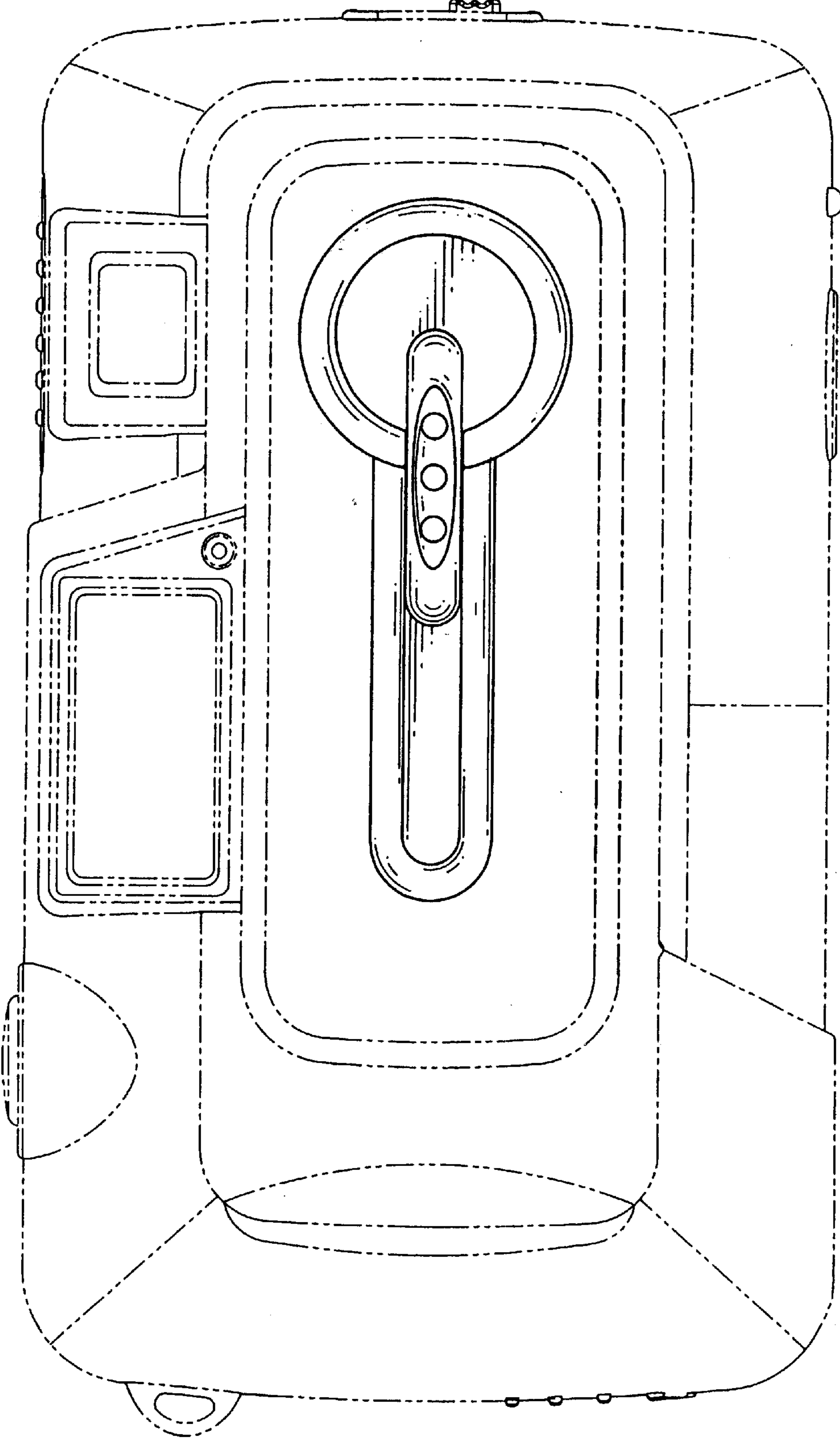


FIG. 2

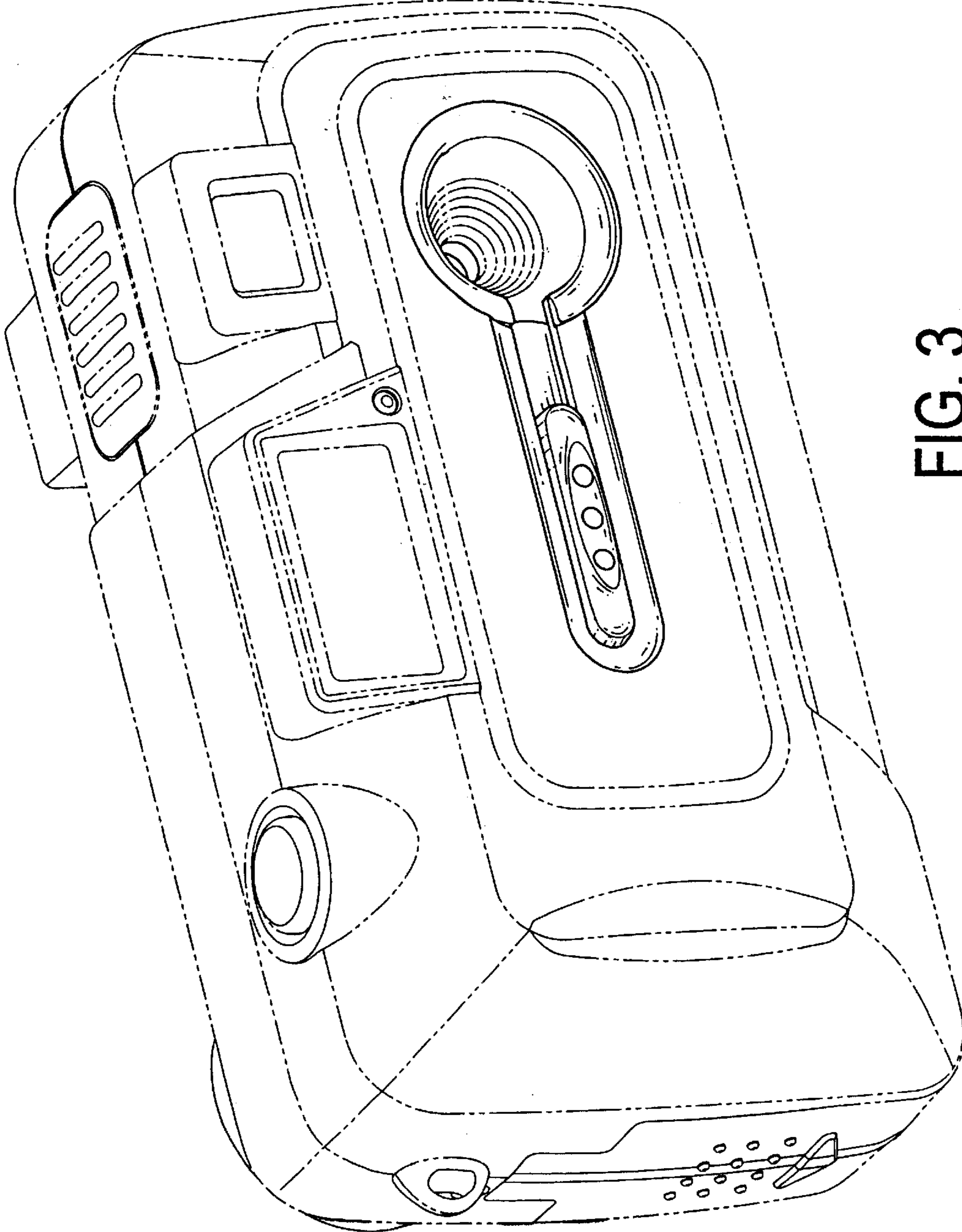


FIG. 3