



US00D501864S

(12) **United States Design Patent** (10) **Patent No.:** **US D501,864 S**
Greise et al. (45) **Date of Patent:** **** Feb. 15, 2005**

(54) **ENDOSCOPE VIDEO CAMERA HEAD**

(75) Inventors: **Carol E. Greise**, Santa Barbara, CA (US); **Kevin E. Halleck**, Santa Barbara, CA (US); **Marc R. Amling**, Santa Barbara, CA (US); **Thomas J. Anhalt**, Goleta, CA (US); **Dai N. Vu**, Ventura, CA (US); **Greg M. Chambers**, San Luis Obispo, CA (US)

(73) Assignee: **Karl Storz Imaging, Inc.**, Goleta, CA (US)

(**) Term: **14 Years**

(21) Appl. No.: **29/182,850**

(22) Filed: **May 30, 2003**

(51) **LOC (7) Cl.** **16-05**

(52) **U.S. Cl.** **D16/219; D16/202; D24/138**

(58) **Field of Search** **D16/200-205, D16/208, 218, 219, 237; D24/133, 137, 138; 348/45, 373, 374-376; 396/535, 540; 600/101, 118, 122**

(56) **References Cited**

U.S. PATENT DOCUMENTS

4,914,521	A	*	4/1990	Adair	348/375
D407,096	S	*	3/1999	Christensen	D16/202
5,882,295	A	*	3/1999	Kope	600/122
D463,553	S	*	9/2002	Topala	D24/138
D474,276	S	*	5/2003	Greise et al.	D24/138
D481,124	S	*	10/2003	Hayamizu	D24/138
D489,387	S	*	5/2004	Zernov	D16/204

OTHER PUBLICATIONS

Olympus Brochure, Endo-Imaging Solutions, OTV-S5 System.
Stryker Endoscopy Brochure, 888 3-Chip Camera.
Stryker Endoscopy Brochure, 988 3-Chip Camera.
The Stryker 596T Medical Video Camera Brochure.
Lemke Brochure, 1 CCD Kamera MC 404.
Lemke Brochure, 3 CCD Kamera TC 804.

Lemke Brochure, 1 CCD Kamera MC 204.
Angio Laz Brochure, Endoscopic Camera Head.
Richard Wolf Brochure, Three Chip Endocam 5506.
Stryker Brochure, 810 Medical Video Camera.
Circom Brochure, 3-CCD Color Camera.
Dyonics Brochure, ED3 Enhanced Digital 3-Chip Camera.
Olympus Brochure, OTV-SX2 Digital 3CCD Camera.
Olympus Brochure, Endo-Imaging Evolution, OTV-S6 OES Video System.
Aesculap Brochure, David 3-Digital Aesculap Videoendoscopic Image Display 3-Chip Camera.
Aesculap Brochure, David eco-Digital Aesculap Videoendoscopic Image Display 1-Chip Camera.
Circom Brochure, MicroDigital Video Cameras.
Linvatec Brochure, EnVision Autoclavable Camera Heads.

(List continued on next page.)

Primary Examiner—Adir Aronovich

(74) *Attorney, Agent, or Firm*—St. Onge Steward Johnston & Reens LLC

(57) **CLAIM**

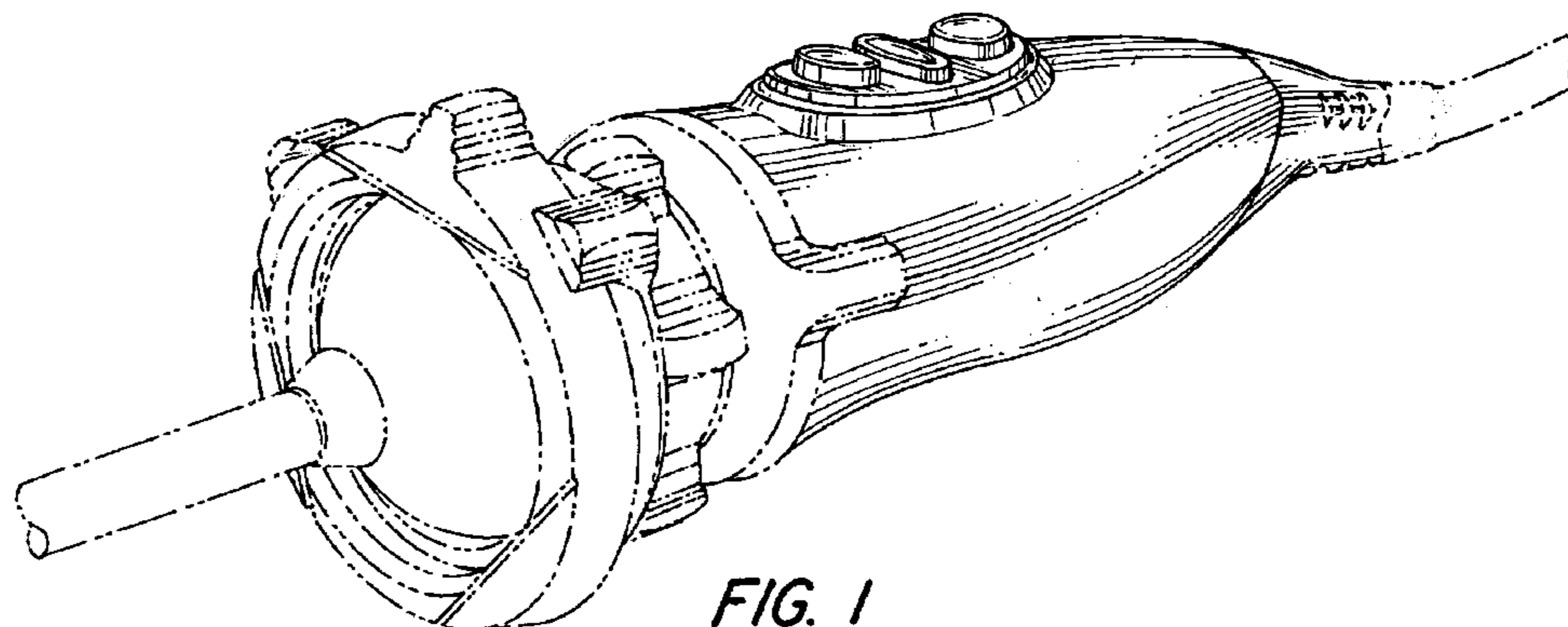
The ornamental design for an endoscope video camera head, as shown and described.

DESCRIPTION

FIG. 1 is a front isometric view of an endoscope video camera head in accordance with the new design;
FIG. 2 is a bottom plan view of the camera head of FIG. 1;
FIG. 3 is a front elevational view of the camera head of FIG. 1;
FIG. 4 is a top plan view of the camera head of FIG. 1;
FIG. 5 is a right side elevational view of the camera head of FIG. 1; and,
FIG. 6 is a left side elevational view of the camera head of FIG. 1.

The portions of the article in broken lines are shown for illustrative purposes only and form no part of the claimed design.

1 Claim, 3 Drawing Sheets



OTHER PUBLICATIONS

Olympus Brochure, Evis Exera 160 Series Video Cameras and Adapters.

Richard Wolf Brochure, 1 CCD Endocam 5502, 3 CCD Endocam 5507, 1 CCD Endocam 5511.

Richard Wolf Brochure, 1 CCD Endocam 5512.

Richard Wolf Brochure, 1 CCD Endocam Light 5551.

Dyonics Brochure, 325Z and ED-3 Digital 3-Chip Video Camera and HD900 Digital 1-Chip Video Camera.

Karl Storz Endoskope Brochure, Endovision HysteroCam SL, Endovision XL Camera System, Endovision Telecam SL, Endovision Tridam SL and Endovision Tricam SL/DX.

* cited by examiner

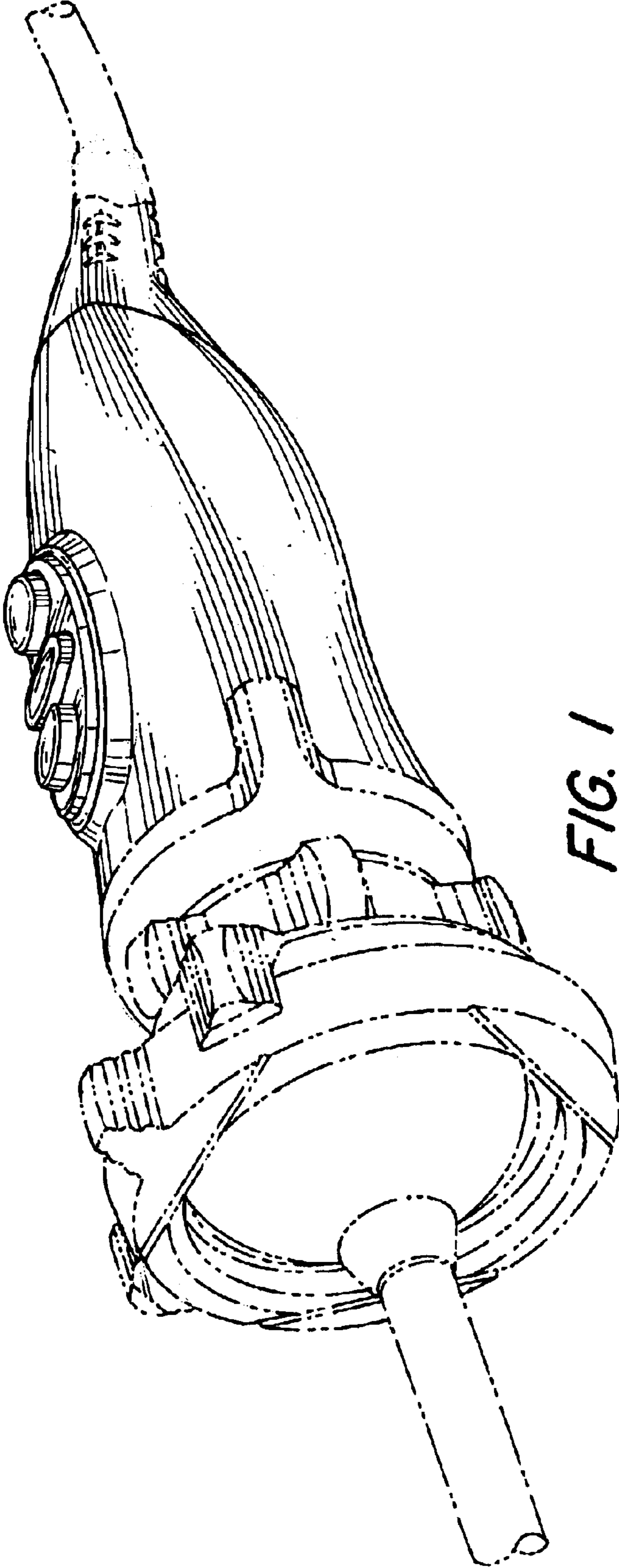


FIG. 1

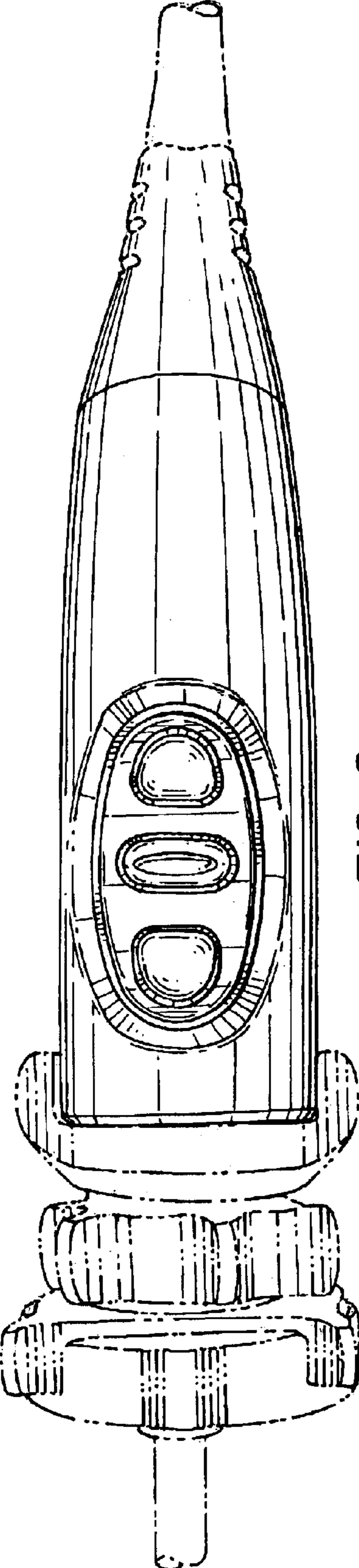


FIG. 2

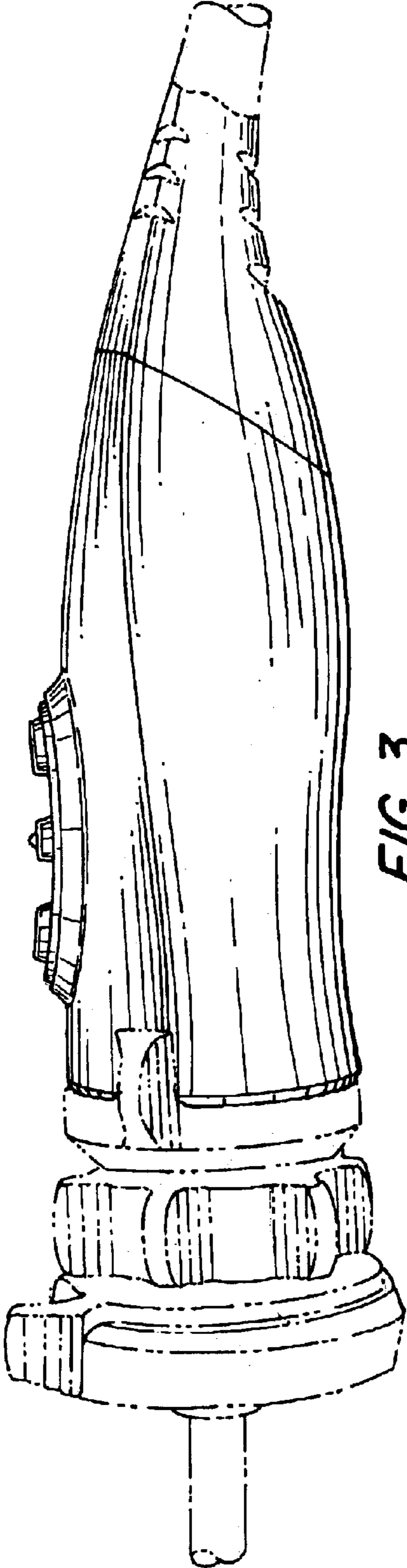


FIG. 3

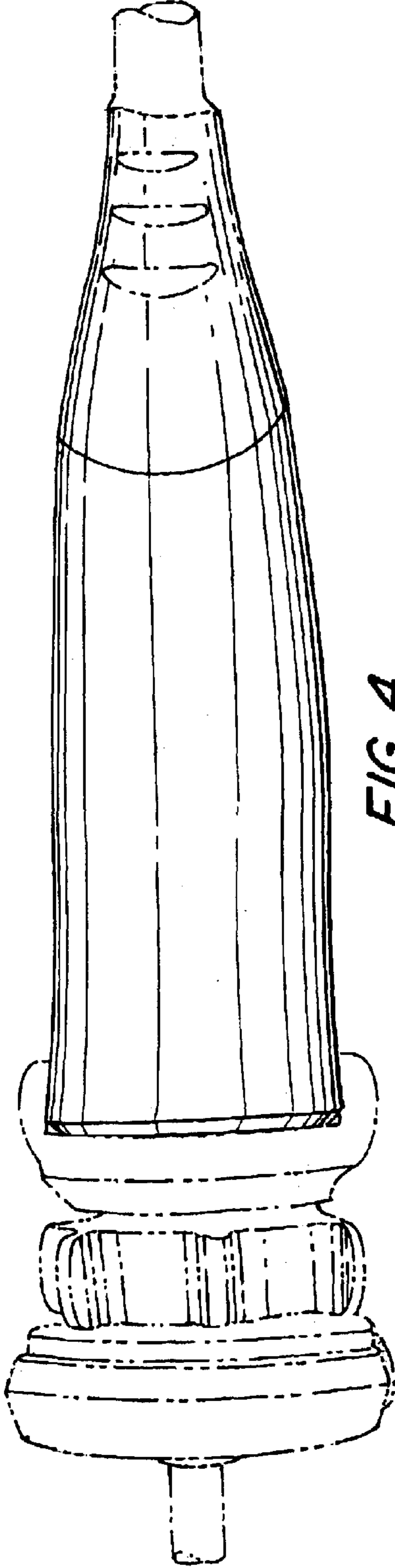


FIG. 4

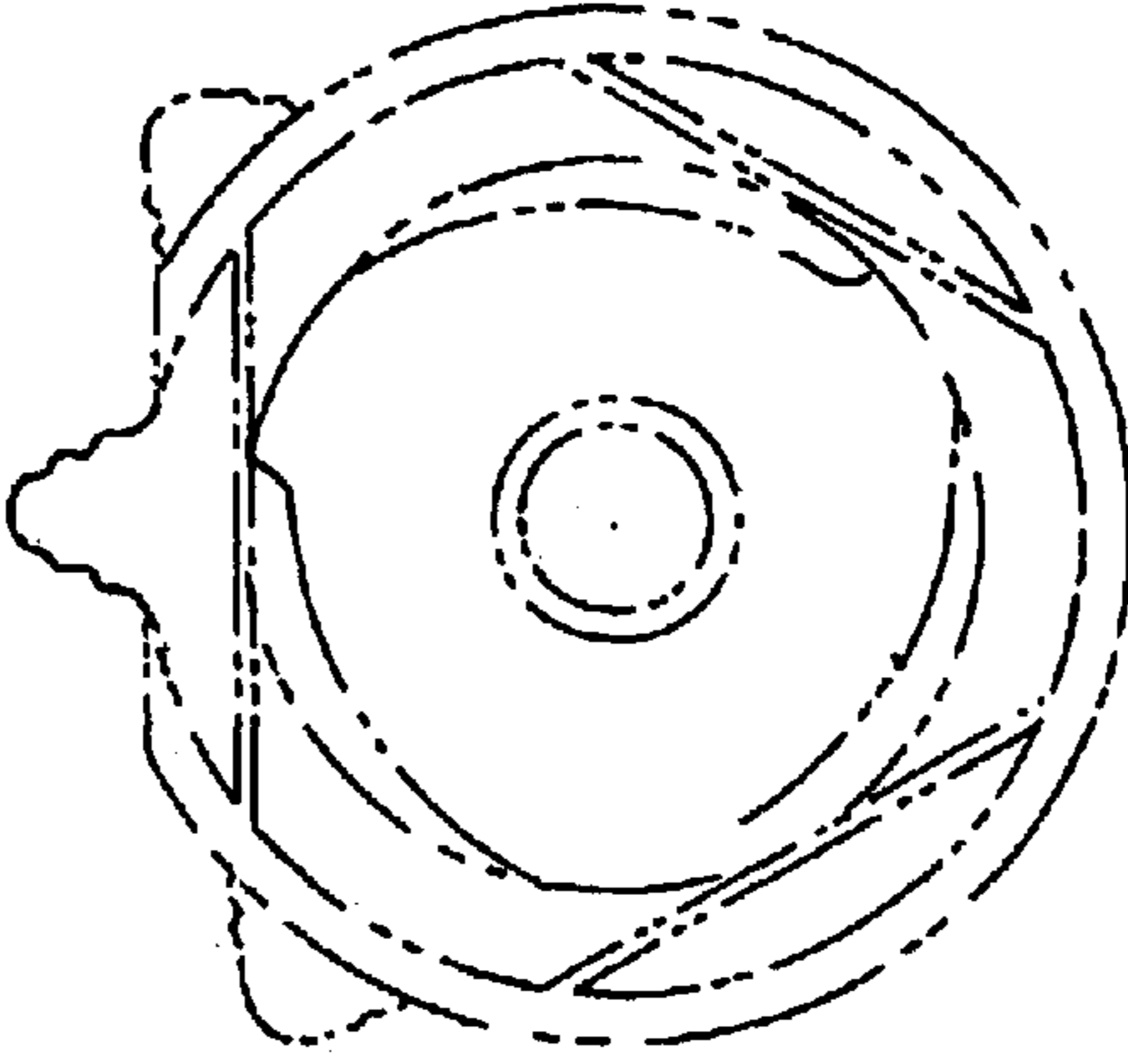


FIG. 6

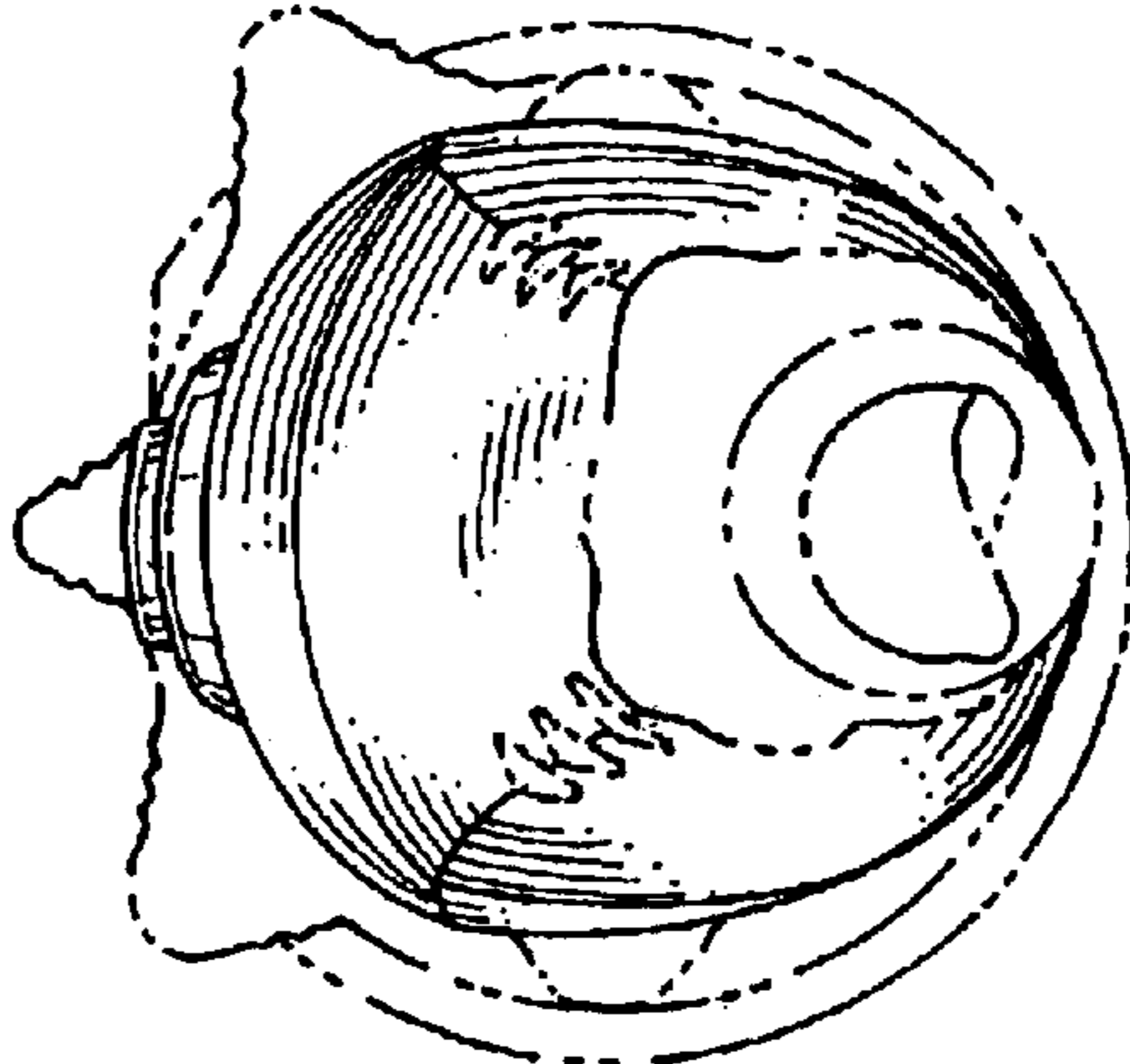


FIG. 5