

US00D501863S

(12) **United States Design Patent**  
**Nagai**

(10) **Patent No.:** **US D501,863 S**  
(45) **Date of Patent:** **\*\* Feb. 15, 2005**

(54) **HOUSING FOR SURVEILLANCE CAMERA**

6,678,001 B1 \* 1/2004 Elberbaum ..... 348/373  
D489,742 S \* 5/2004 Nagai ..... D16/203

(75) Inventor: **Kouzi Nagai**, Tokyo (JP)

**FOREIGN PATENT DOCUMENTS**

(73) Assignee: **Ikegami Tsushinki Co., Ltd.**, Tokyo (JP)

JP	63-28544	7/1988
JP	1-23775	6/1989
JP	4-22386	7/1992
JP	4-22388	7/1992
JP	4-38074	12/1992
JP	4-38075	12/1992
JP	4-38076	12/1992
JP	4-22387	6/1994

(\*\*) Term: **14 Years**

(21) Appl. No.: **29/194,069**

(22) Filed: **Nov. 19, 2003**

(30) **Foreign Application Priority Data**

**OTHER PUBLICATIONS**

Jun. 17, 2003 (JP) ..... 2003-017083  
 Jun. 17, 2003 (JP) ..... 2003-017102  
 Jun. 17, 2003 (JP) ..... 2003-017125  
 Jun. 17, 2003 (JP) ..... 2003-017143

Elbex CCTV Systems, www.elbex.co.jp, EX410 Series.  
Pages 1–2 printed Nov. 19, 2003.

\* cited by examiner

(51) **LOC (7) Cl.** ..... **16-01**

*Primary Examiner*—Adir Aronovich

(52) **U.S. Cl.** ..... **D16/203**

(57) **CLAIM**

(58) **Field of Search** ..... D16/200–204,  
D16/208, 218, 219; 348/143, 151, 373–376;  
396/427, 535, 536–541

The ornamental design for a housing for surveillance camera, as shown and described.

(56) **References Cited**

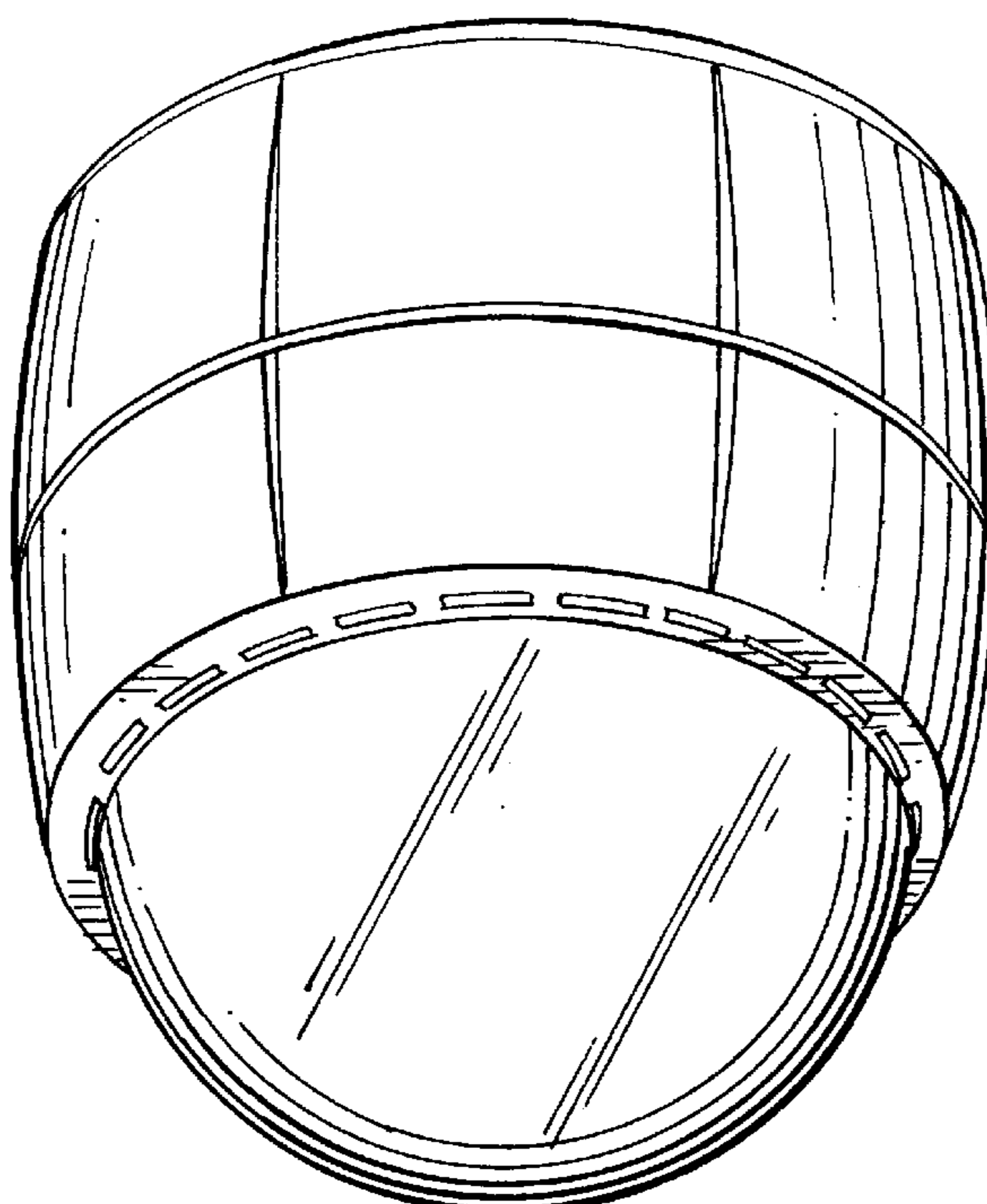
**DESCRIPTION**

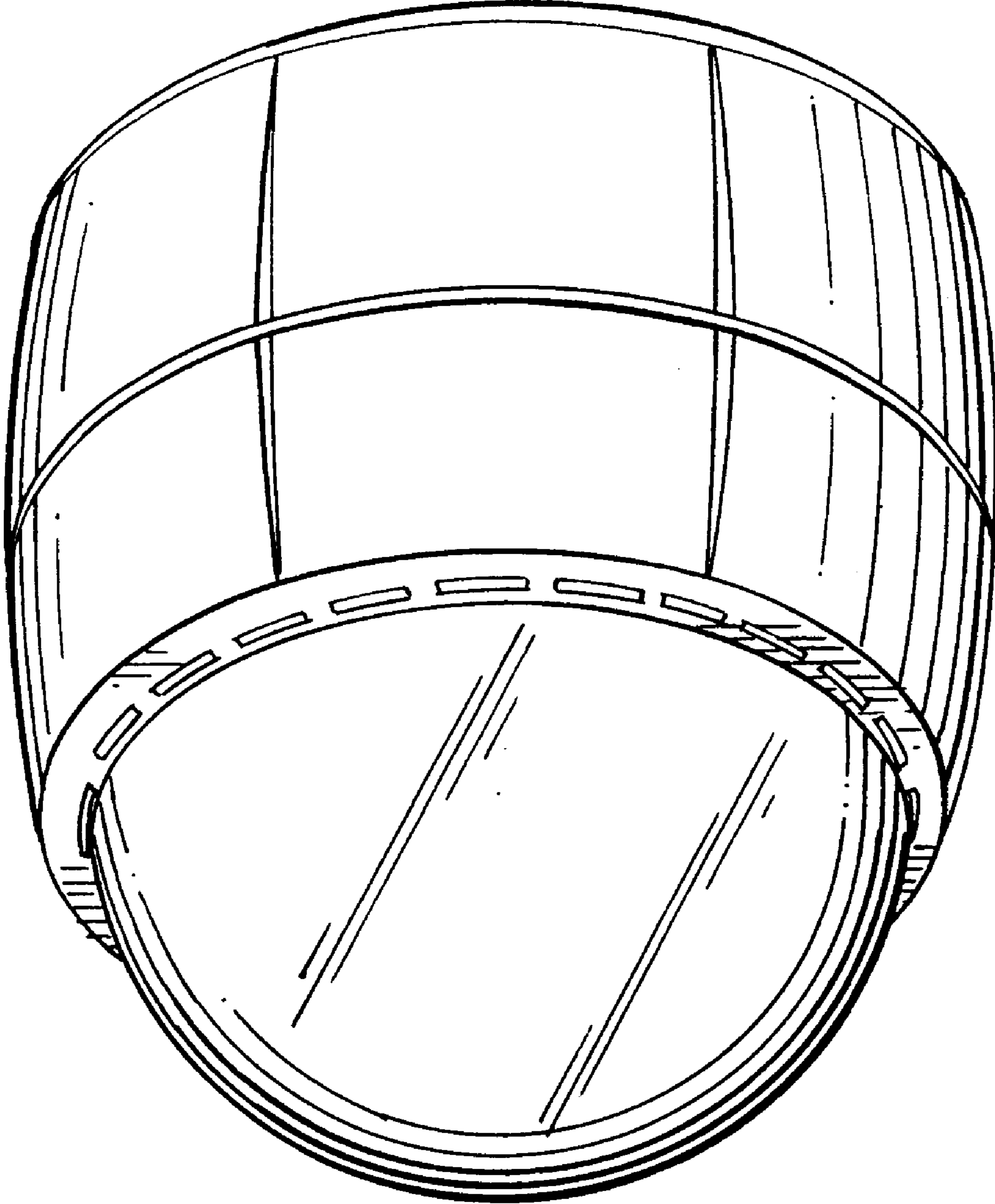
**U.S. PATENT DOCUMENTS**

D325,212 S 4/1992 Elberbaum  
 D388,450 S \* 12/1997 Hamano et al. .... D16/203  
 D399,517 S \* 10/1998 Hasegawa ..... D16/203  
 D412,924 S 8/1999 Hiraguchi  
 D414,504 S 9/1999 Madden  
 D415,509 S 10/1999 Hiraguchi  
 6,061,087 A \* 5/2000 Schieltz et al. .... 348/151  
 6,354,749 B1 \* 3/2002 Pfaffenberger, II ..... 396/427  
 D457,904 S \* 5/2002 Toste et al. .... D16/203  
 D473,887 S 4/2003 Jones et al.

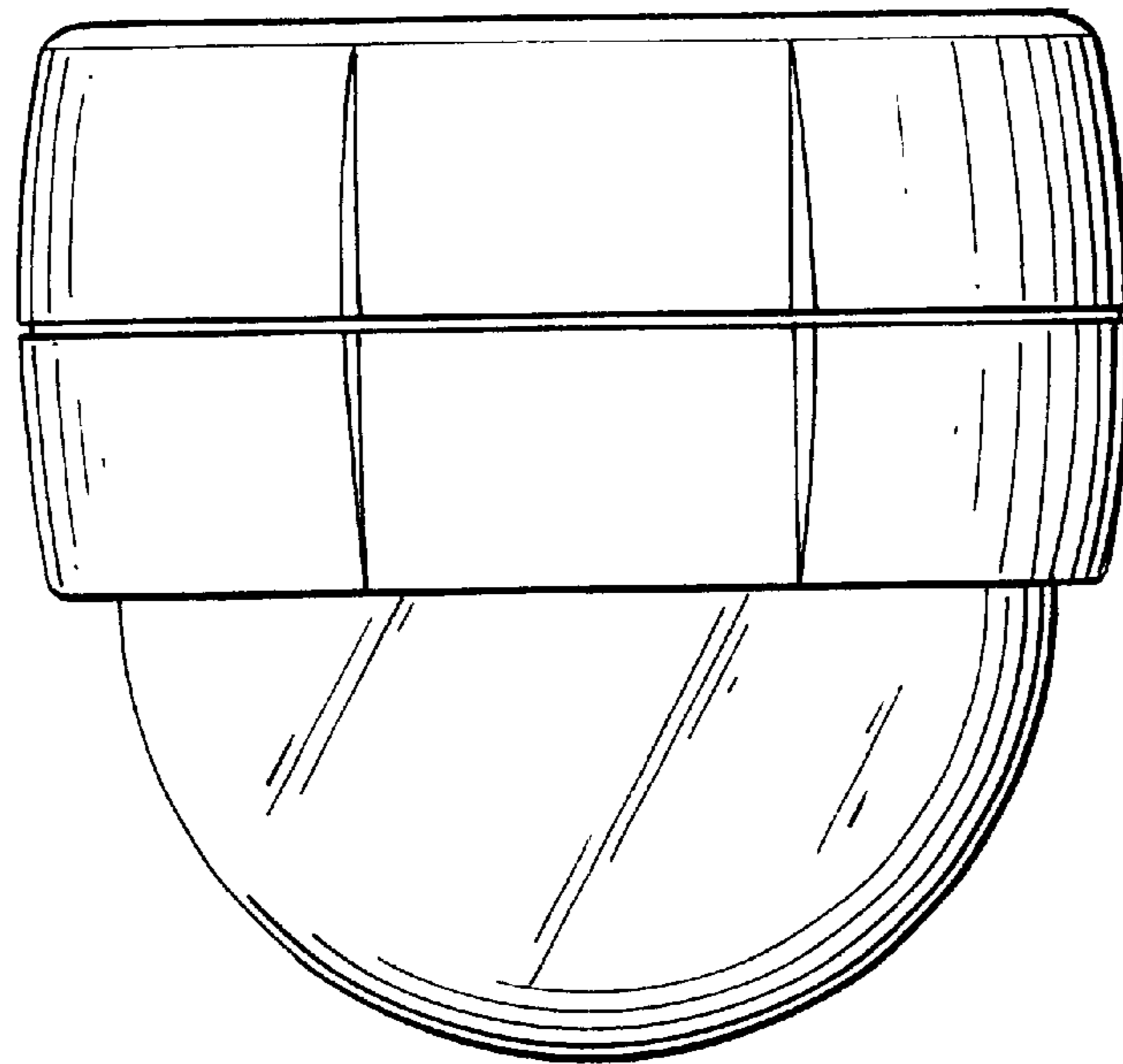
FIG. 1 is a perspective view of a housing for surveillance camera of the present invention;  
 FIG. 2 is both a front view and a rear view of the housing for surveillance camera;  
 FIG. 3 is a top view of the housing for surveillance camera;  
 FIG. 4 is a bottom view of the housing for surveillance camera; and,  
 FIG. 5 is both a right side view and left side view of the housing for surveillance camera.

**1 Claim, 3 Drawing Sheets**

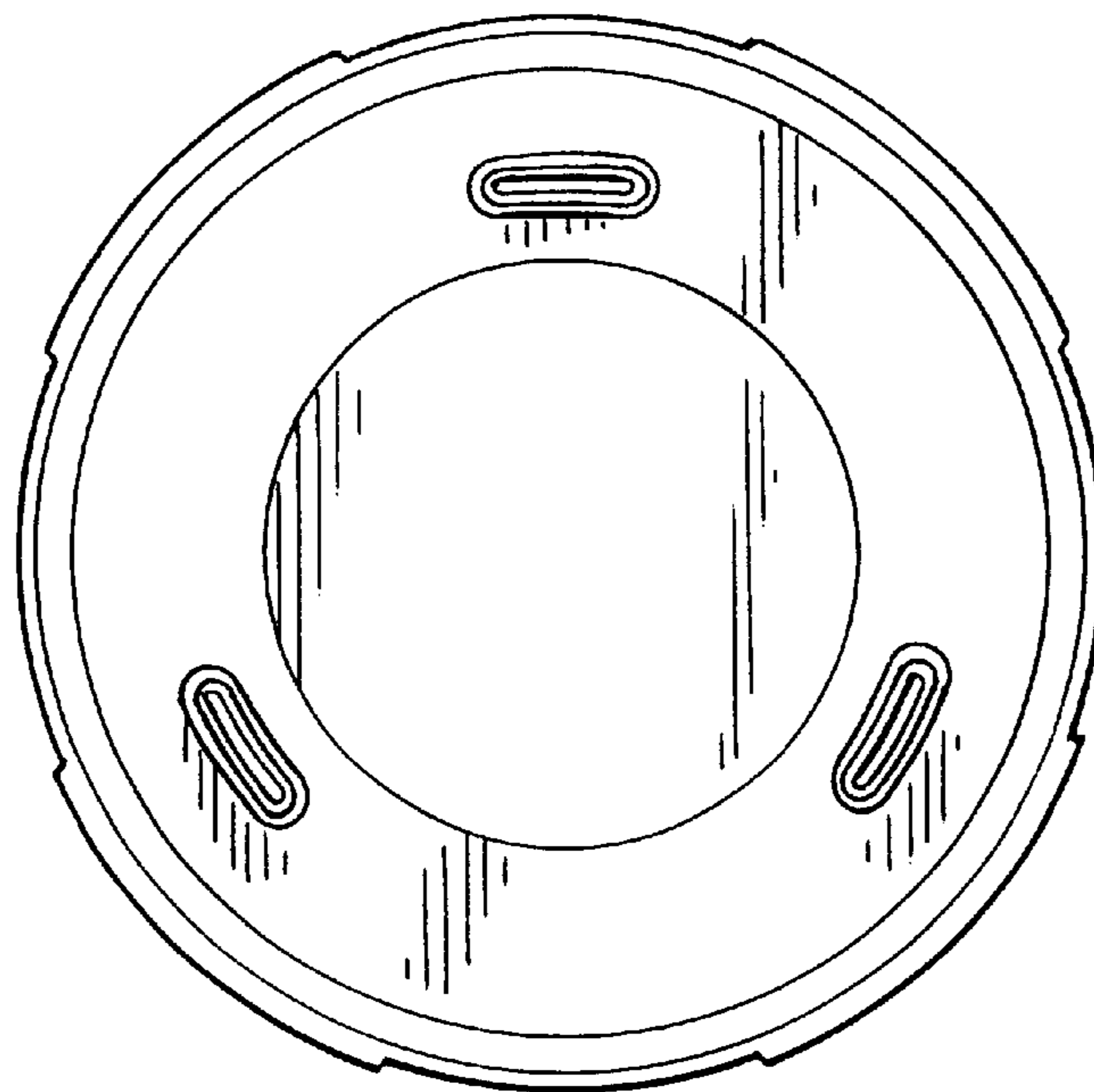




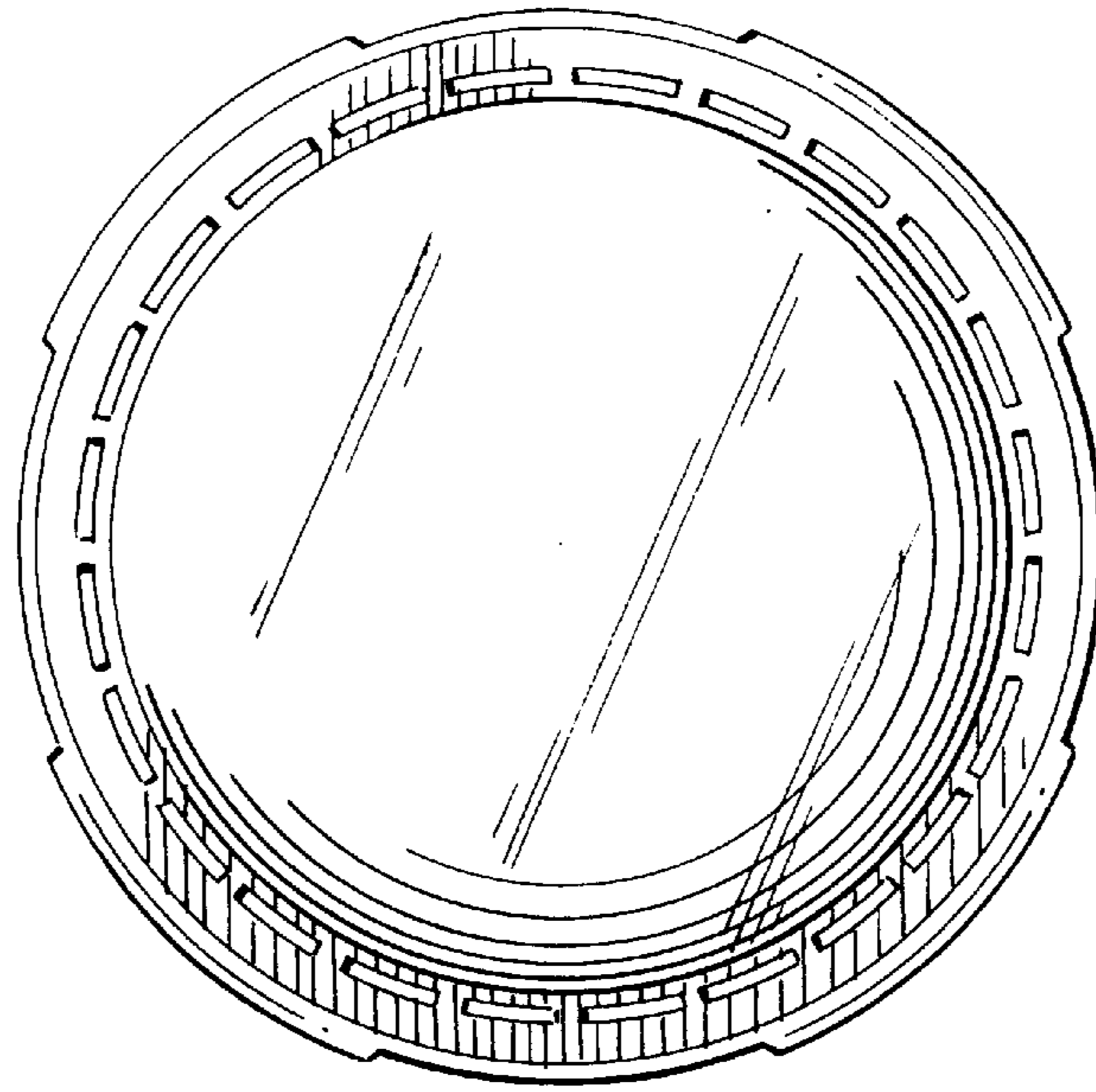
*FIG. 1*



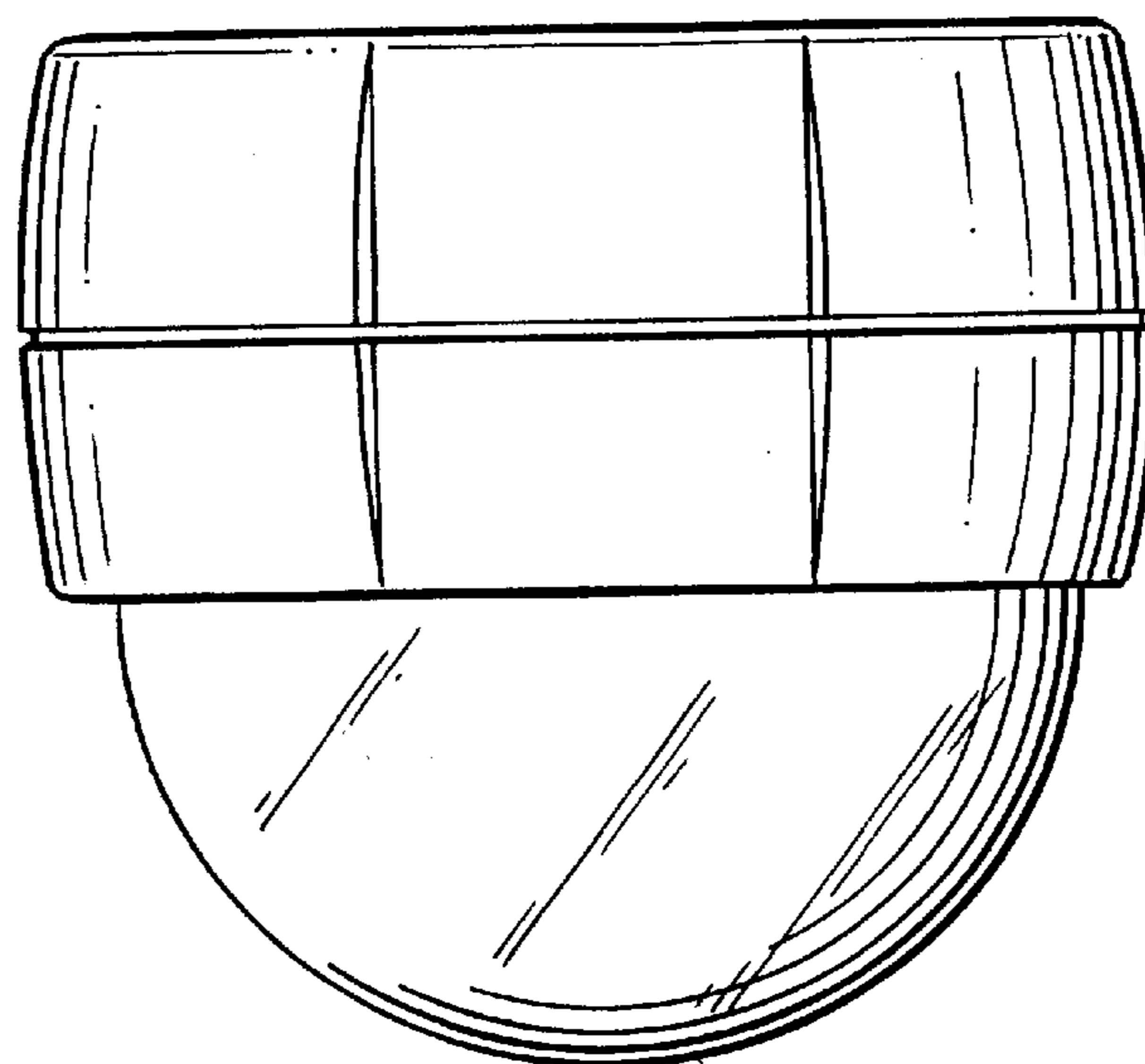
*FIG. 2*



*FIG. 3*



*FIG. 4*



*FIG. 5*