

US00D501862S

(12) **United States Design Patent**
Hong et al.

(10) **Patent No.:** **US D501,862 S**
(45) **Date of Patent:** **** Feb. 15, 2005**

(54) **DIGITAL CAMERA**

(75) Inventors: **Fu-Long Hong**, Banchiau (TW);
Ti-Chieh Ko, Taipei (TW); **Chien-Jui Wang**, Taipei (TW)

(73) Assignee: **Benq Corporation**, Taoyuan (TW)

(**) Term: **14 Years**

(21) Appl. No.: **29/203,159**

(22) Filed: **Apr. 9, 2004**

(30) **Foreign Application Priority Data**

Mar. 15, 2004 (TW) 093301427

(51) **LOC (7) Cl.** **16-01**

(52) **U.S. Cl.** **D16/202**

(58) **Field of Search** D16/200–205,
D16/208, 218; 348/373–376; 358/906, 909.1;
396/535–541

(56) **References Cited**

U.S. PATENT DOCUMENTS

6,665,494 B1 * 12/2003 Lai et al. 396/535

D487,283 S * 3/2004 Watanabe D16/202
D487,578 S * 3/2004 Dow et al. D16/218
D490,833 S * 6/2004 Sakaguchi et al. D16/202
D493,185 S * 7/2004 Lo et al. D16/202
D495,727 S * 9/2004 Dow et al. D16/202

* cited by examiner

Primary Examiner—Adir Aronovich

(74) *Attorney, Agent, or Firm*—Thomas, Kayden,
Horstemeyer & Risley

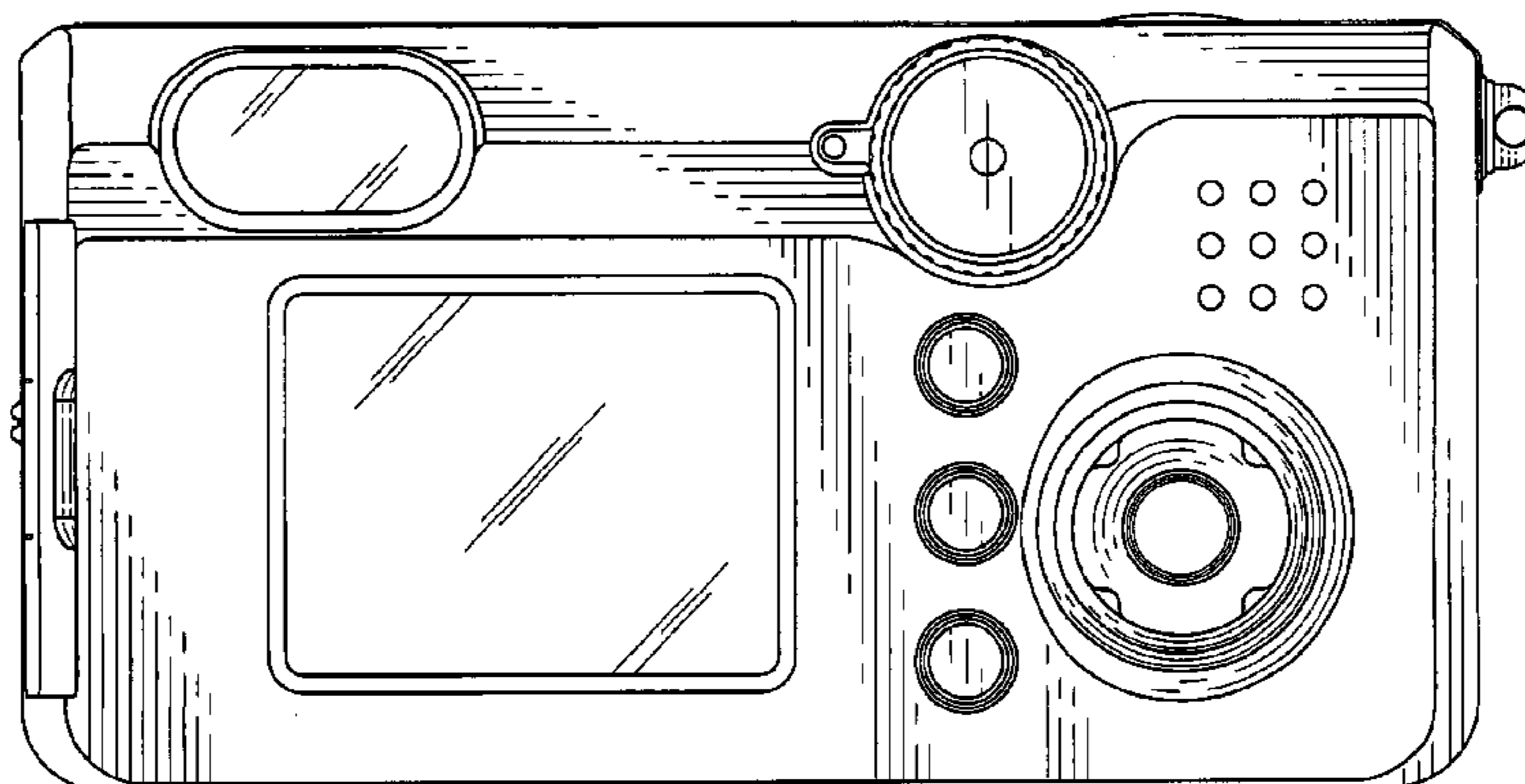
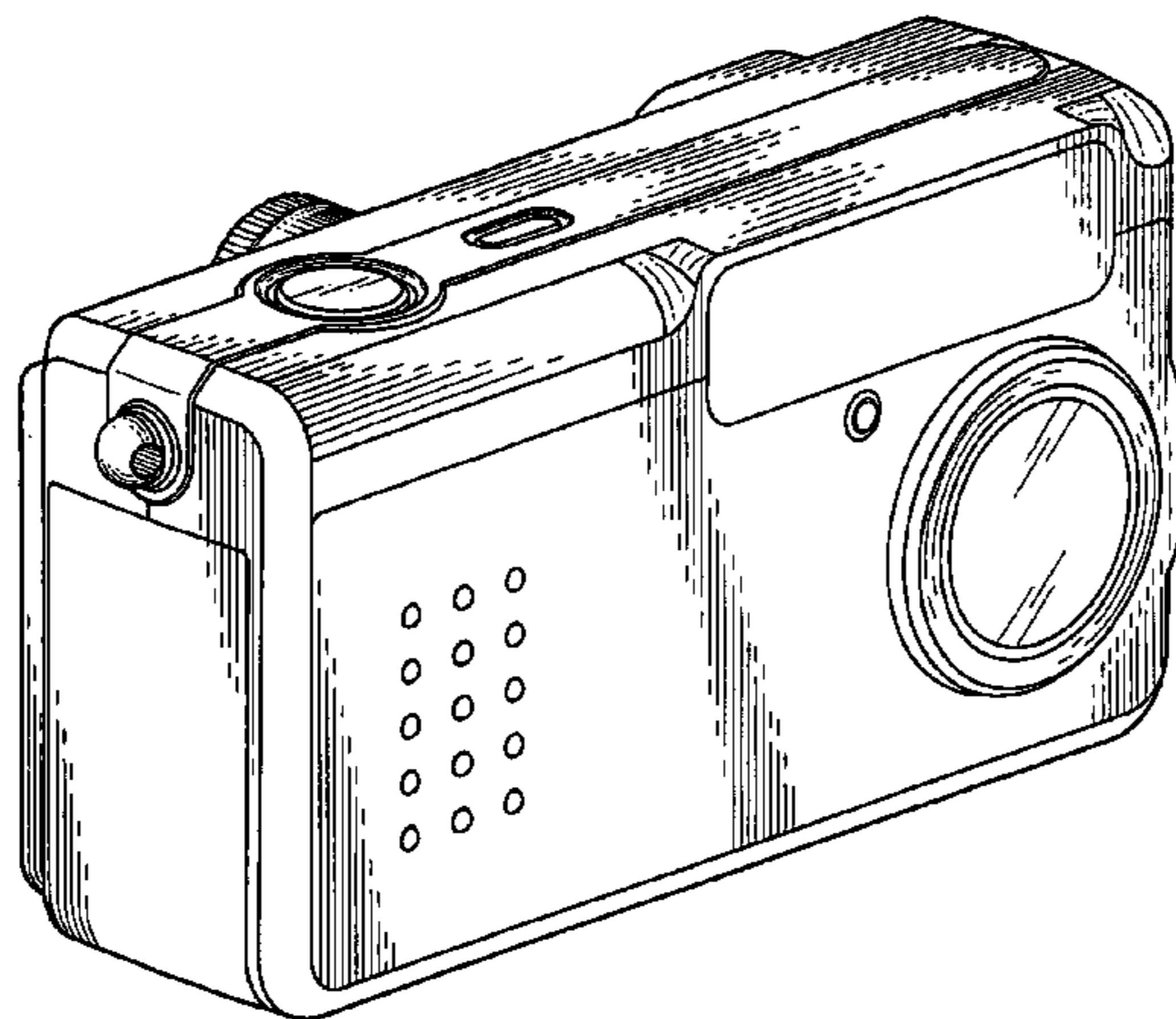
(57) **CLAIM**

The ornamental design for a digital camera, as shown and described.

DESCRIPTION

FIG. 1 is a front and left side perspective view of a digital camera showing our new design;
FIG. 2 is an enlarged front elevational view thereof;
FIG. 3 is a rear elevational view thereof;
FIG. 4 is a left side elevational view thereof;
FIG. 5 is a right side elevational view thereof;
FIG. 6 is a top plan view thereof; and,
FIG. 7 is a bottom plan view thereof.

1 Claim, 7 Drawing Sheets



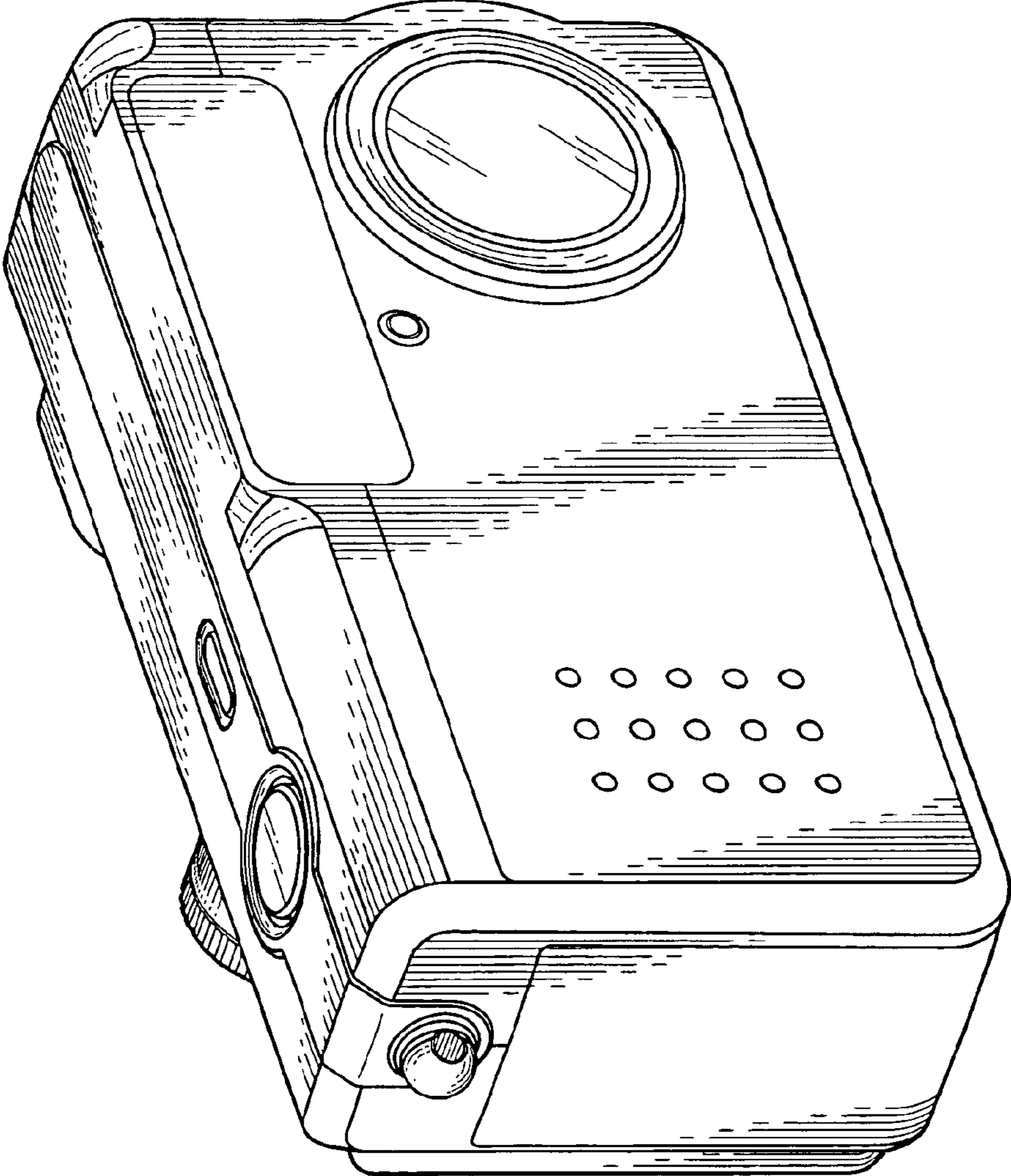


FIG. 1

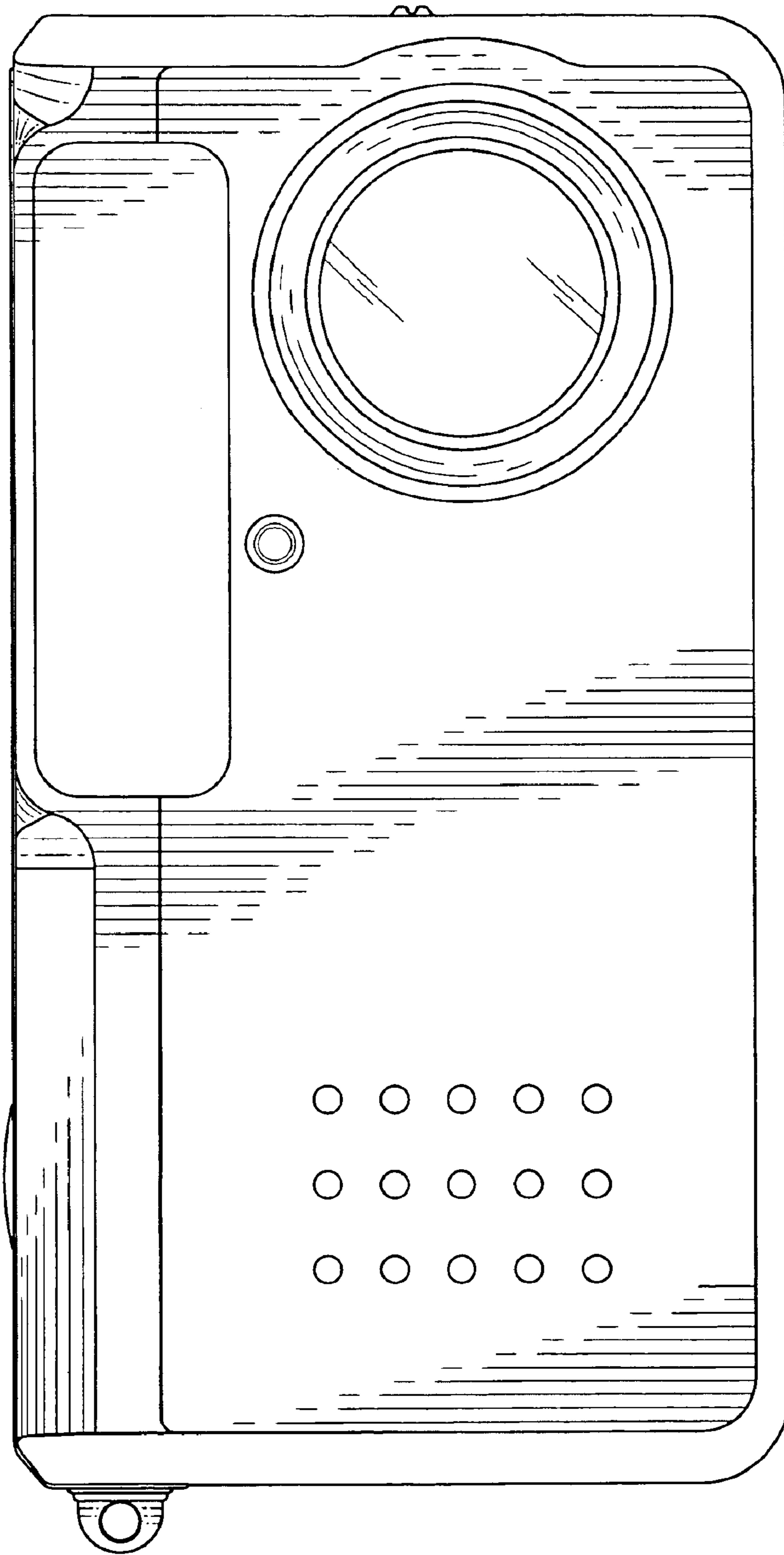


FIG. 2

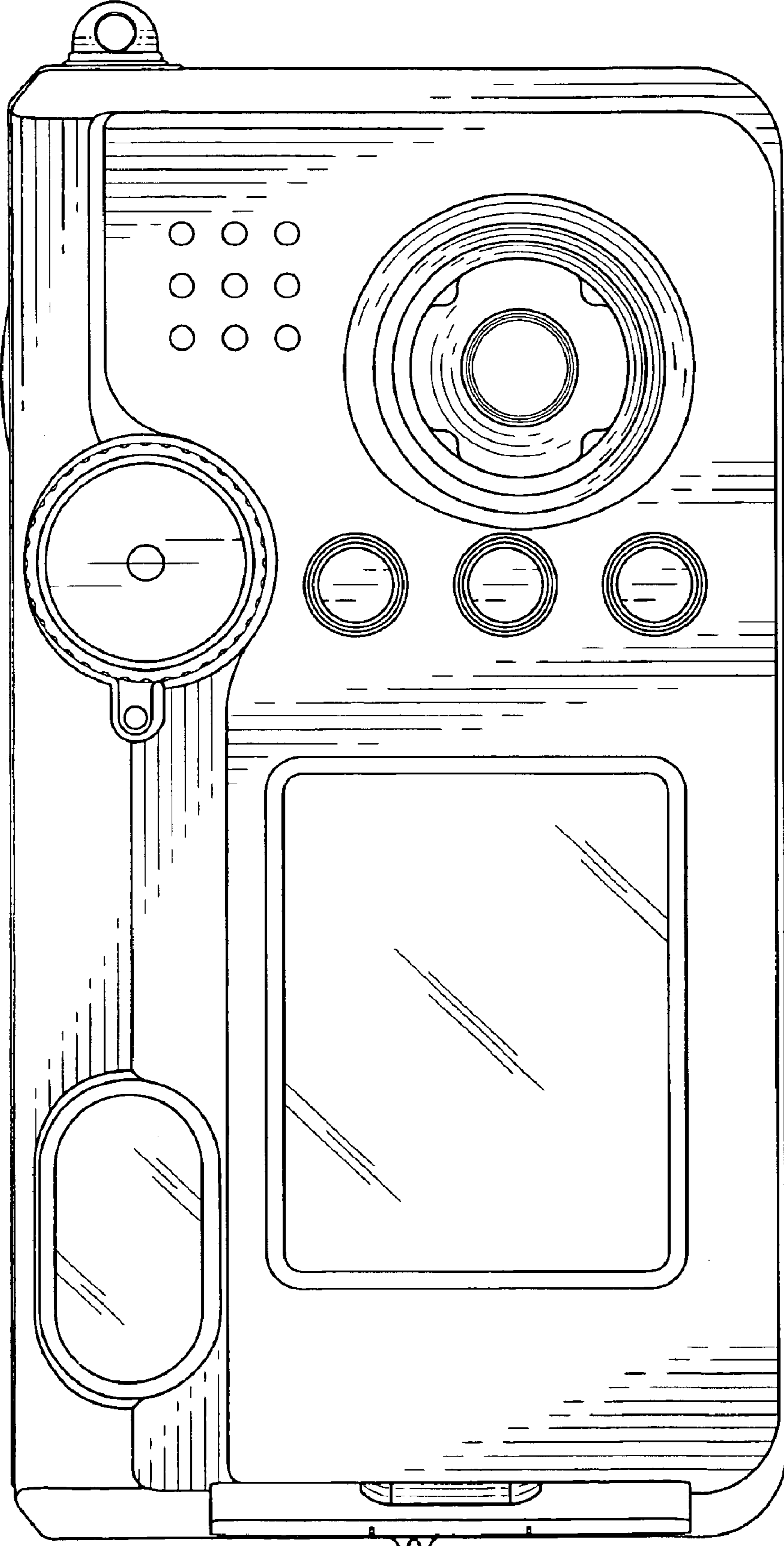


FIG. 3

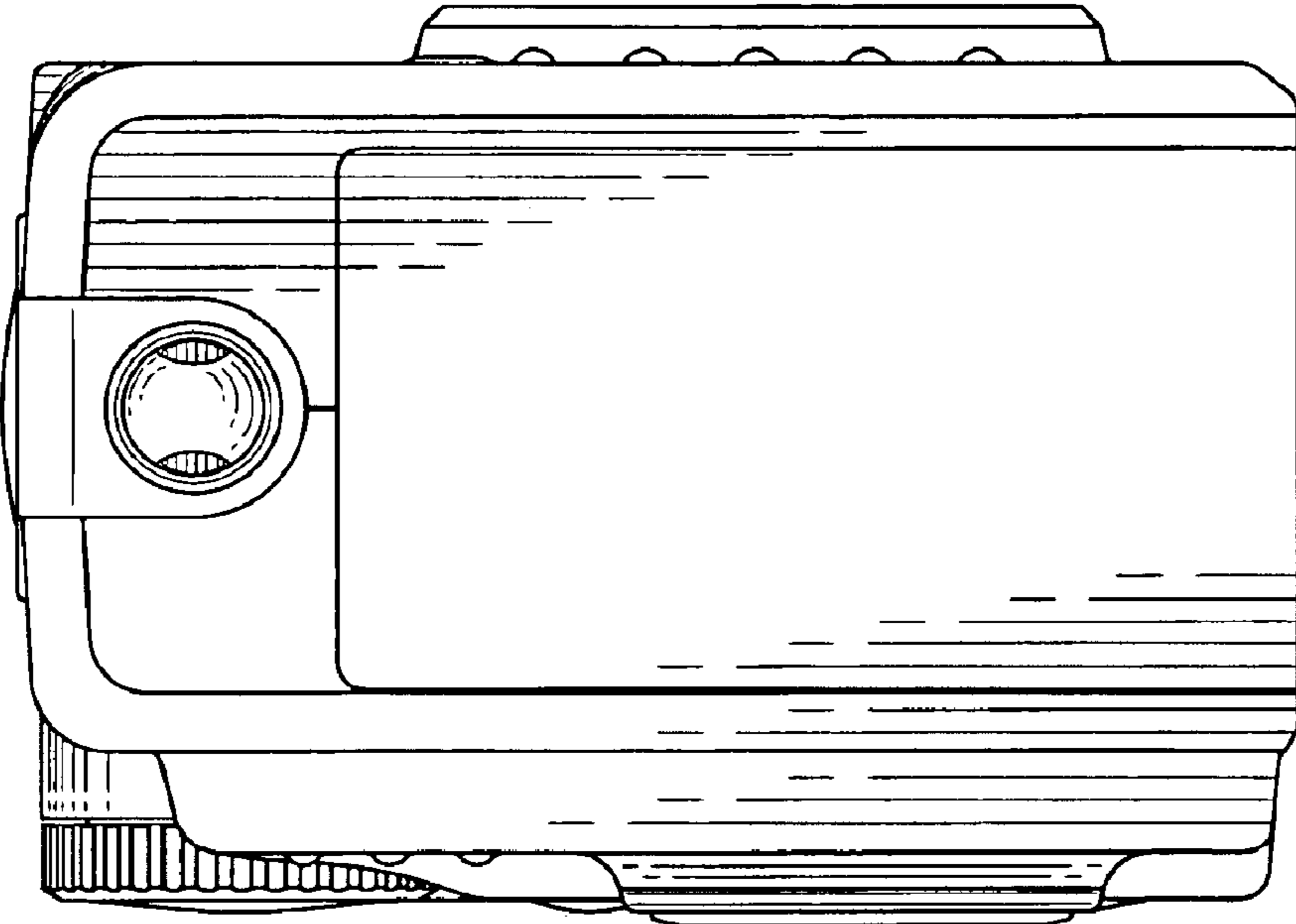


FIG. 4

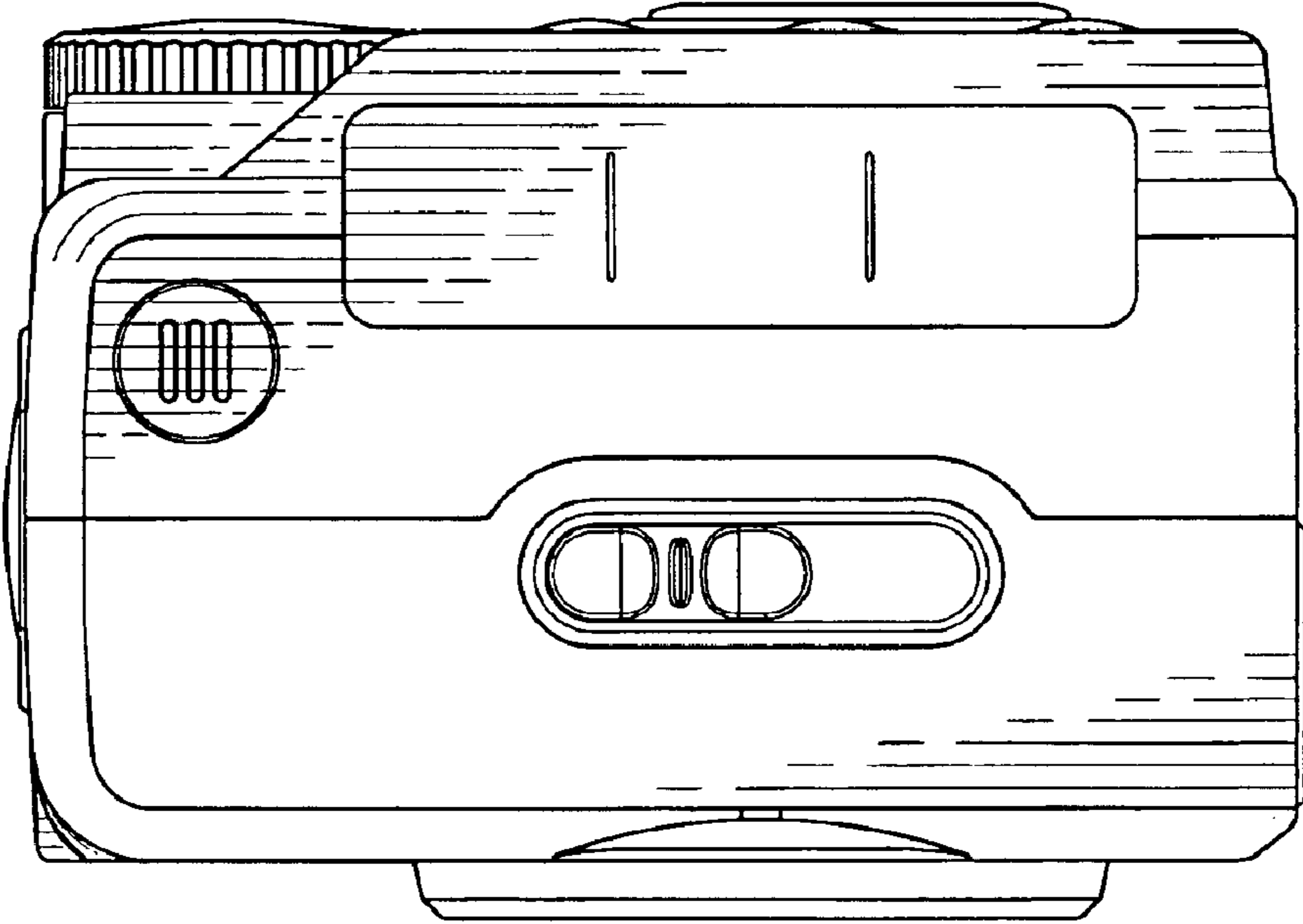


FIG. 5

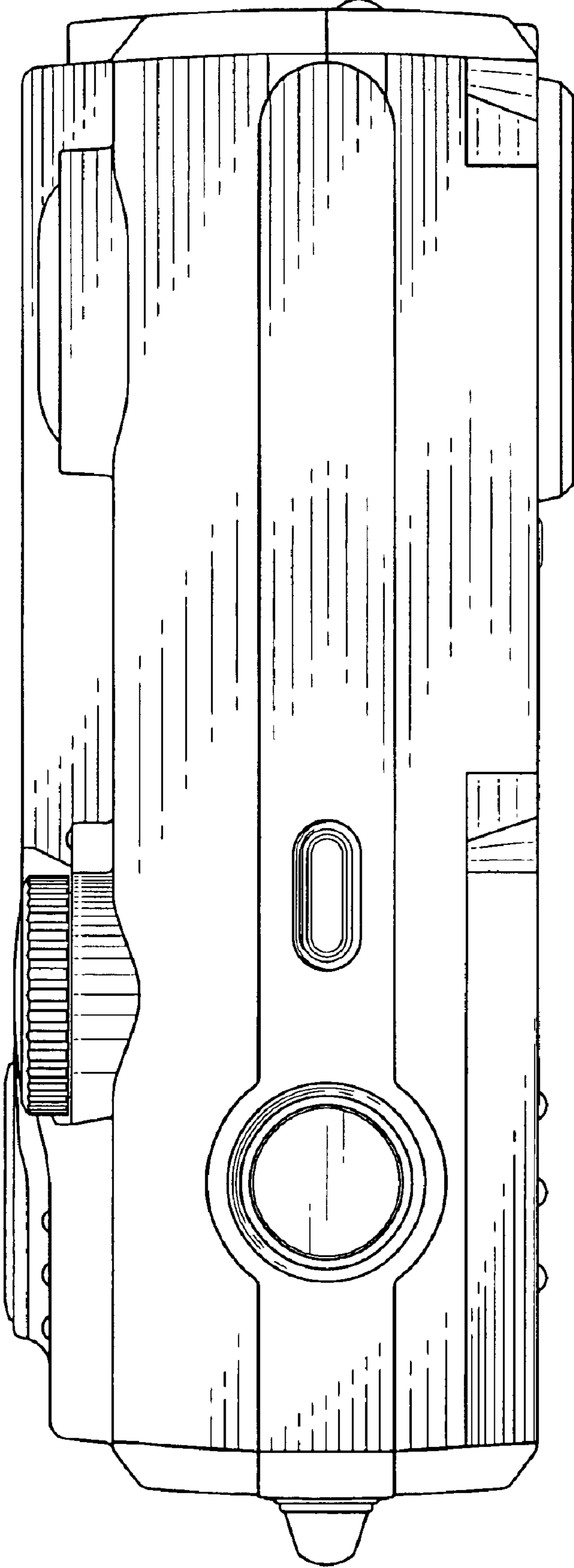


FIG. 6

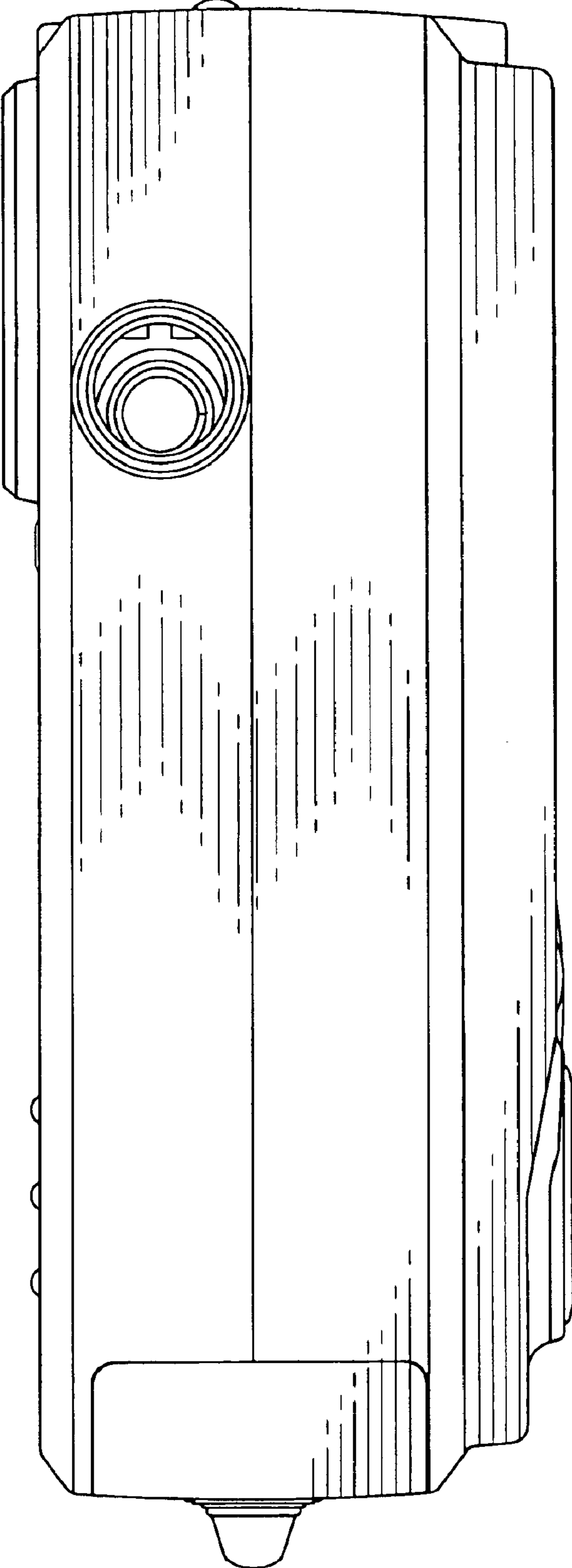


FIG. 7