

US00D501860S

(12) **United States Design Patent**
Wanschura et al.

(10) **Patent No.: US D501,860 S**
(45) **Date of Patent: ** Feb. 15, 2005**

(54) **AXIAL PISTON MACHINE**
(75) Inventors: **Guenter Wanschura, Ulm (DE);**
Hakan Camurdan, Neu-Ulm (DE)
(73) Assignee: **Brueninghaus Hydromatik GmbH,**
Elchingen (DE)

6,405,634 B1 * 6/2002 Hansen 92/71
6,443,706 B1 * 9/2002 Deininger et al. 92/12.2
6,595,886 B1 * 7/2003 Forster 417/222.1
6,662,707 B1 * 12/2003 Stolzer 92/71
6,663,354 B2 * 12/2003 Forster 417/222.1
6,701,824 B2 * 3/2004 Forster 92/12.2

(**) Term: **14 Years**

* cited by examiner

(21) Appl. No.: **29/192,807**

Primary Examiner—Antoine D. Davis

(22) Filed: **Oct. 30, 2003**

(74) *Attorney, Agent, or Firm*—Scully, Scott, Murphy & Presser

(30) **Foreign Application Priority Data**

Apr. 30, 2003 (DE) 403 03 393

(57) **CLAIM**

The ornamental design for an axial piston machine, as shown and described.

(51) **LOC (7) Cl.** **15-09**

DESCRIPTION

(52) **U.S. Cl.** **D15/149**

FIG. 1 illustrates a front and side perspective view of the axial piston machine showing our new and ornamental design;

(58) **Field of Search** D15/148, 149,
D15/1, 3, 5; 92/12.2, 19–21, 71, 129; 91/476,
499, 505; 417/222.1, 212, 269, 319, 218

FIG. 2 illustrates a bottom plan view thereof;

FIG. 3 illustrates a rear view thereof;

FIG. 4 illustrates a left side view thereof;

FIG. 5 illustrates a front view thereof;

FIG. 6 illustrates a right side view thereof; and,

FIG. 7 illustrates a top plan view.

(56) **References Cited**

U.S. PATENT DOCUMENTS

6,077,050 A * 6/2000 Beck 92/72
6,155,798 A * 12/2000 Deininger et al. 92/12.2
6,318,238 B1 * 11/2001 Becker et al. 92/72

1 Claim, 4 Drawing Sheets

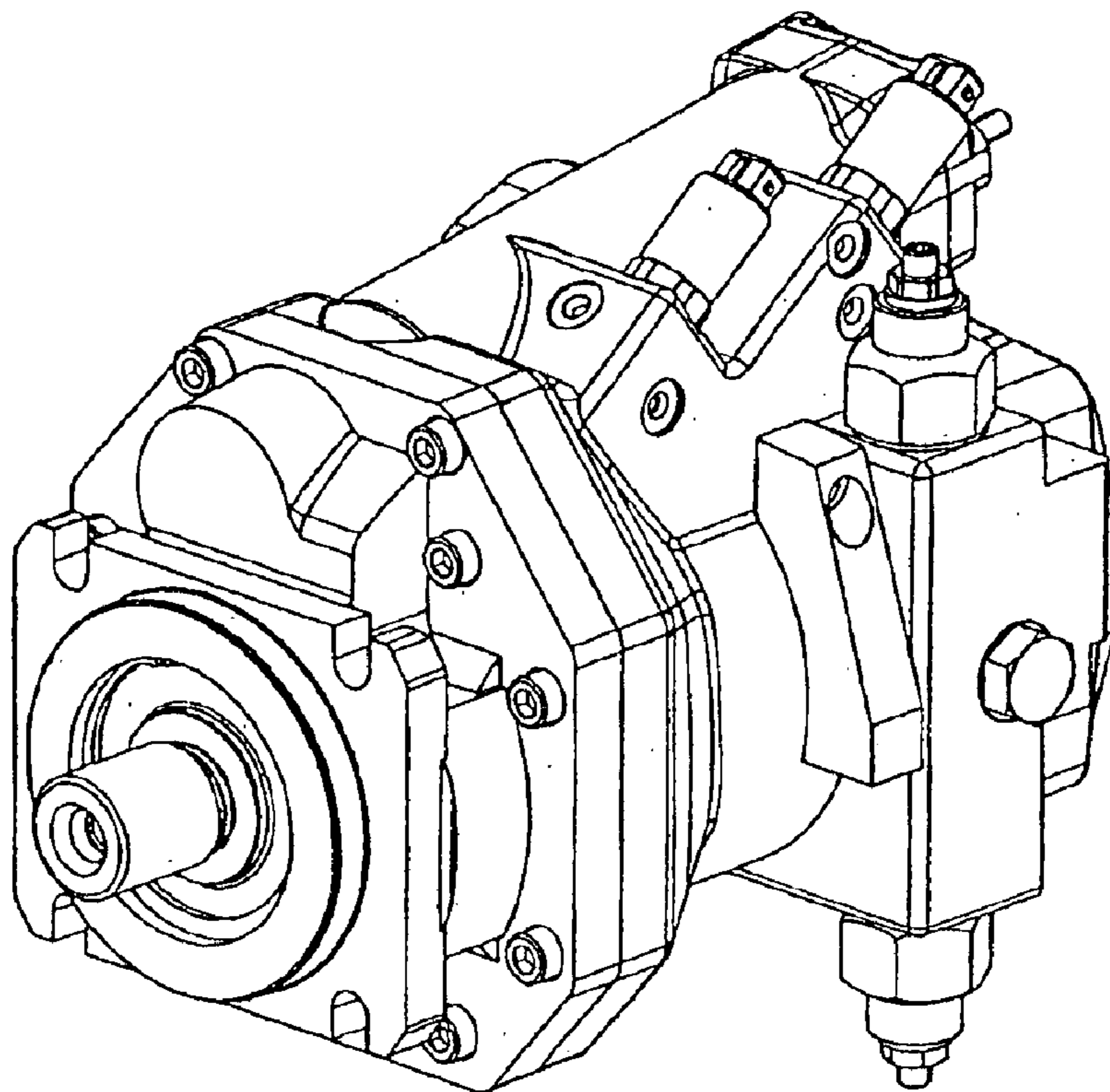


FIG. 1

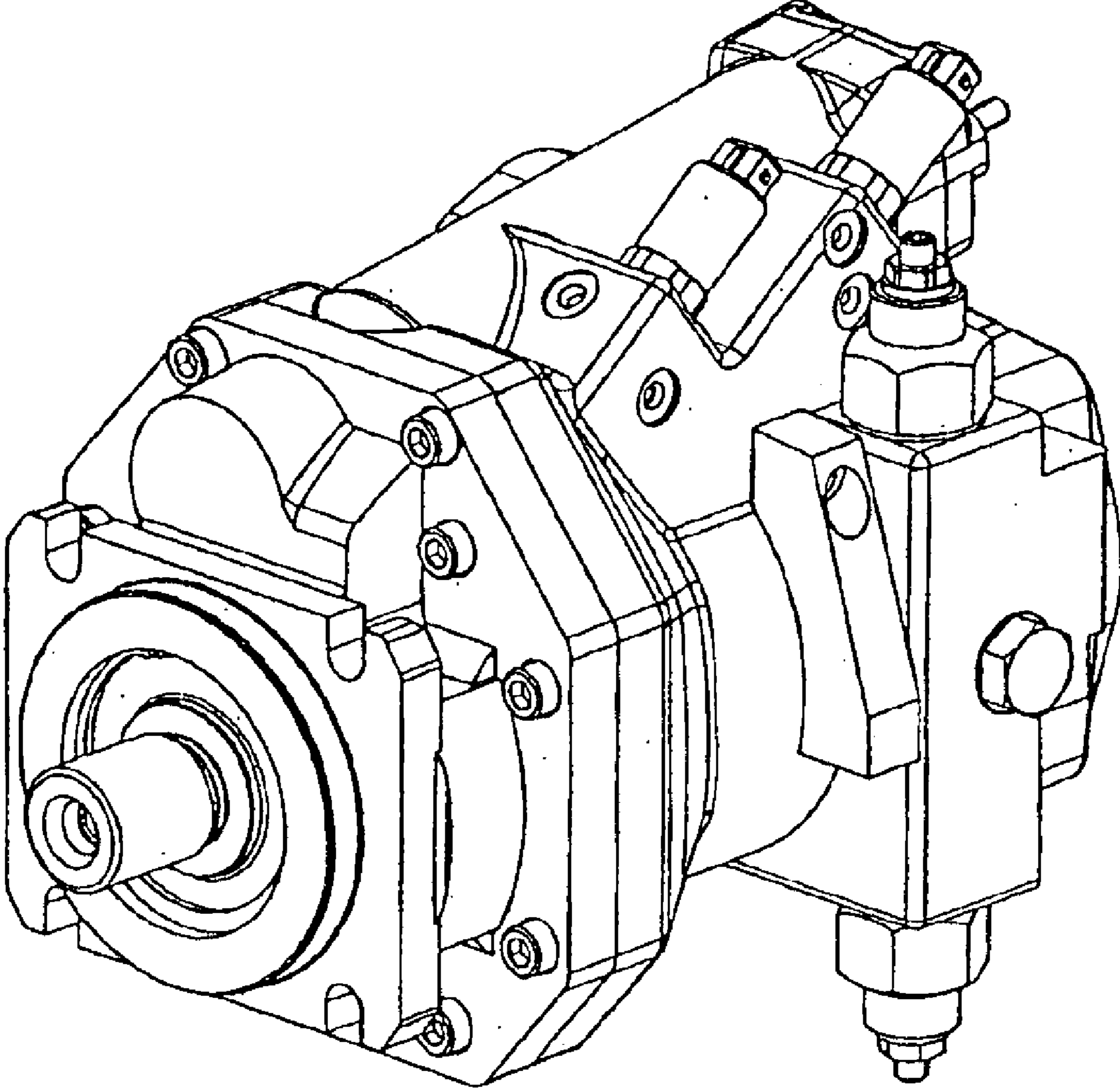


FIG. 2

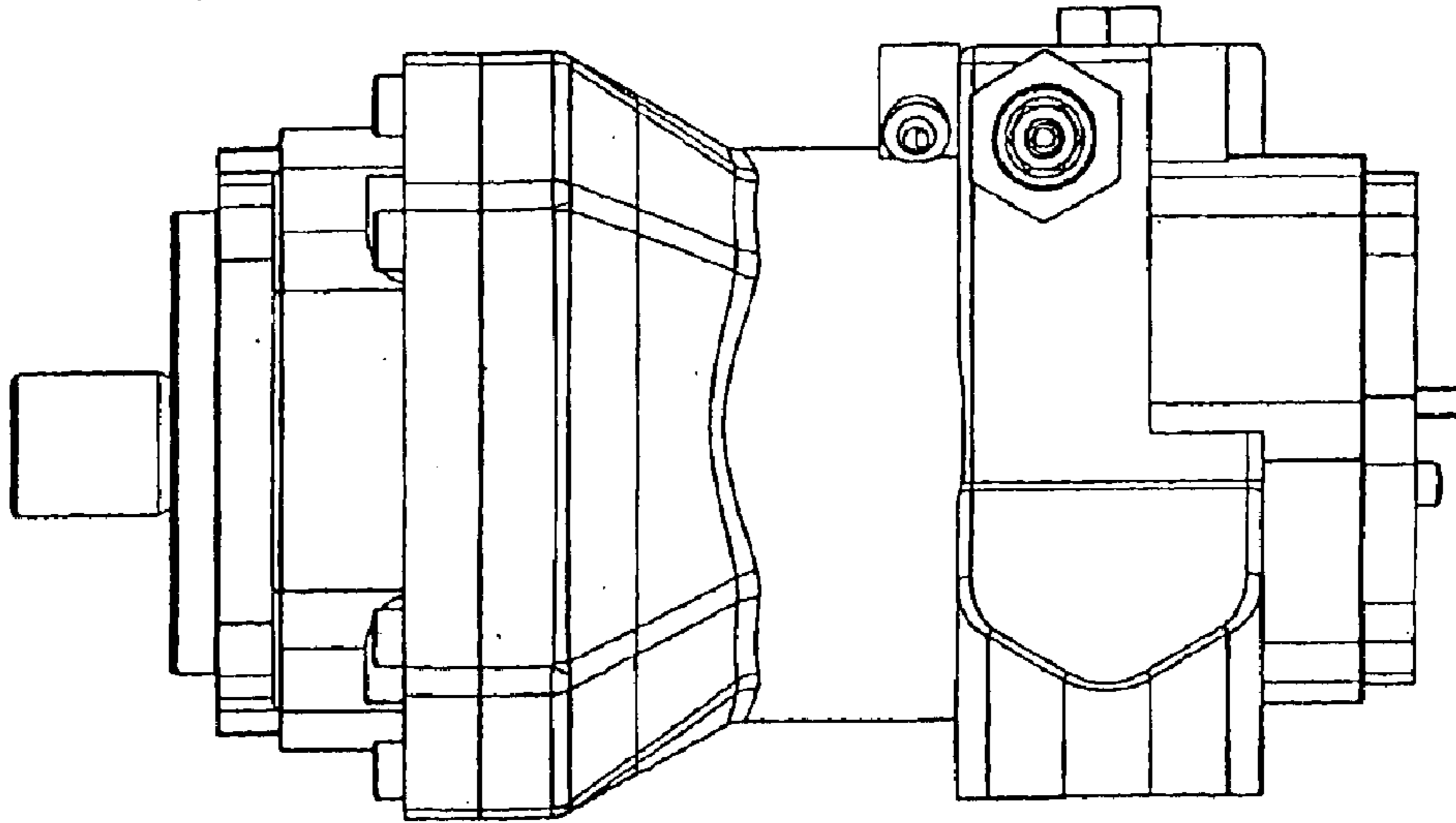


FIG. 3

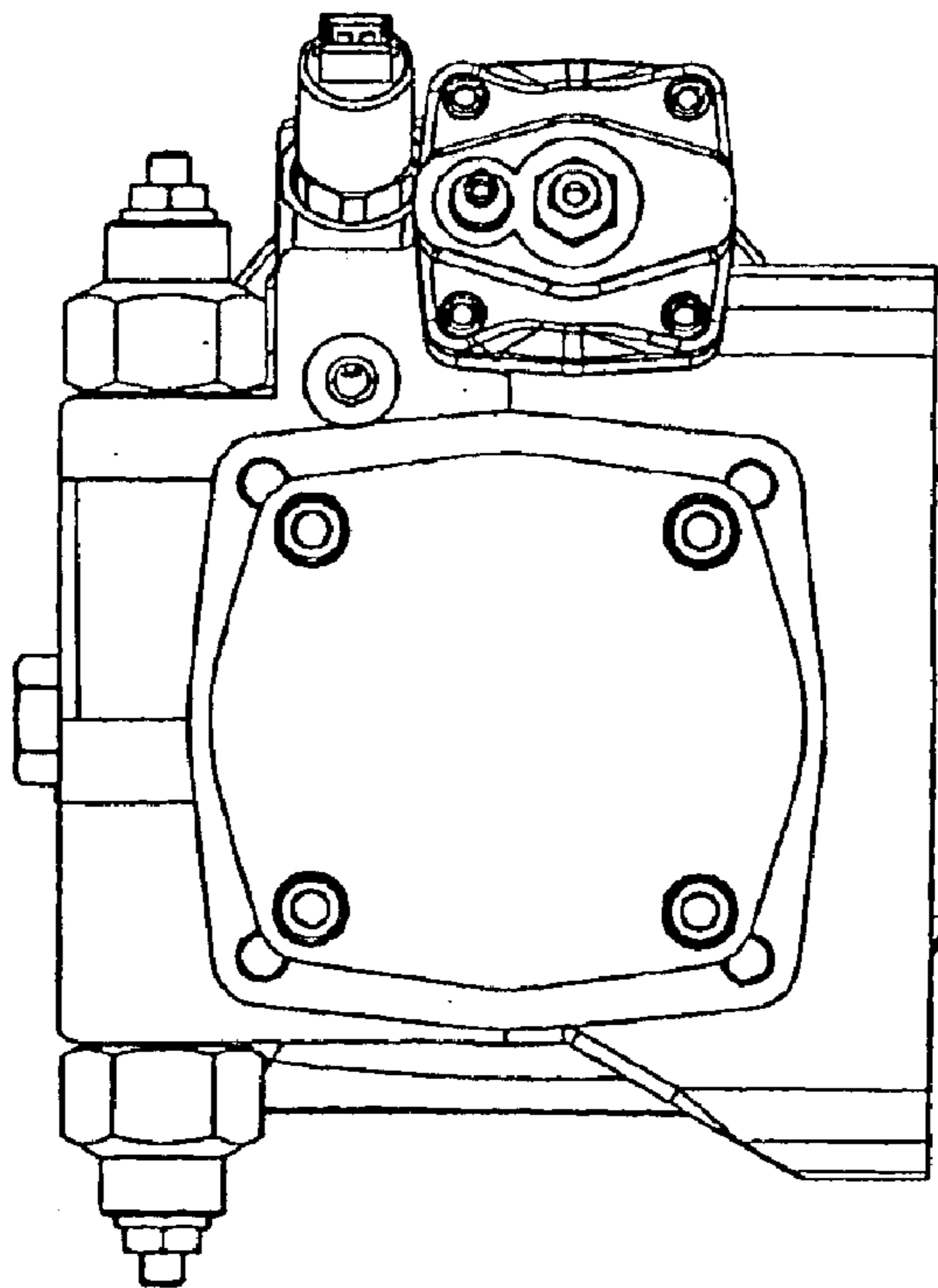


FIG. 4

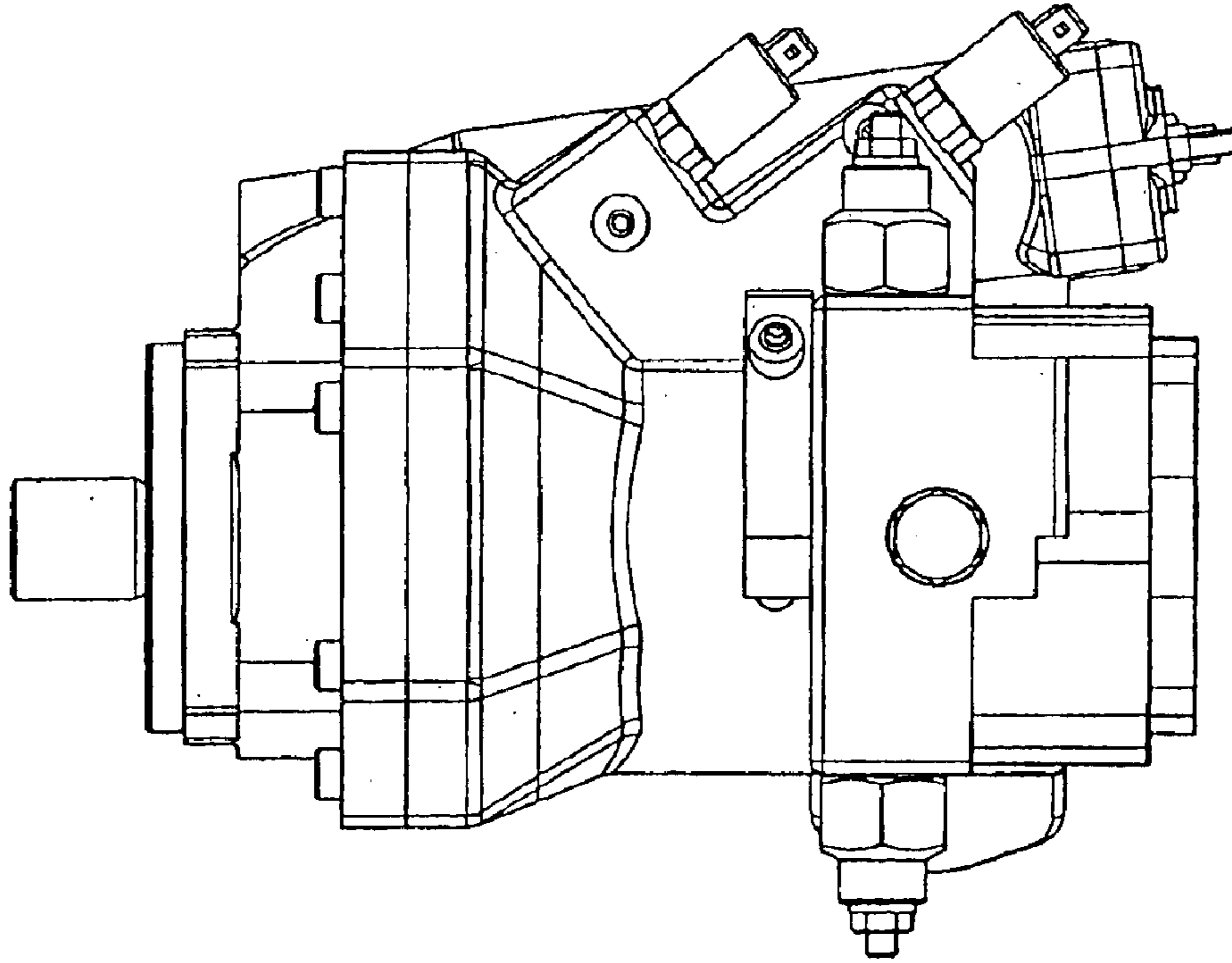


FIG. 5

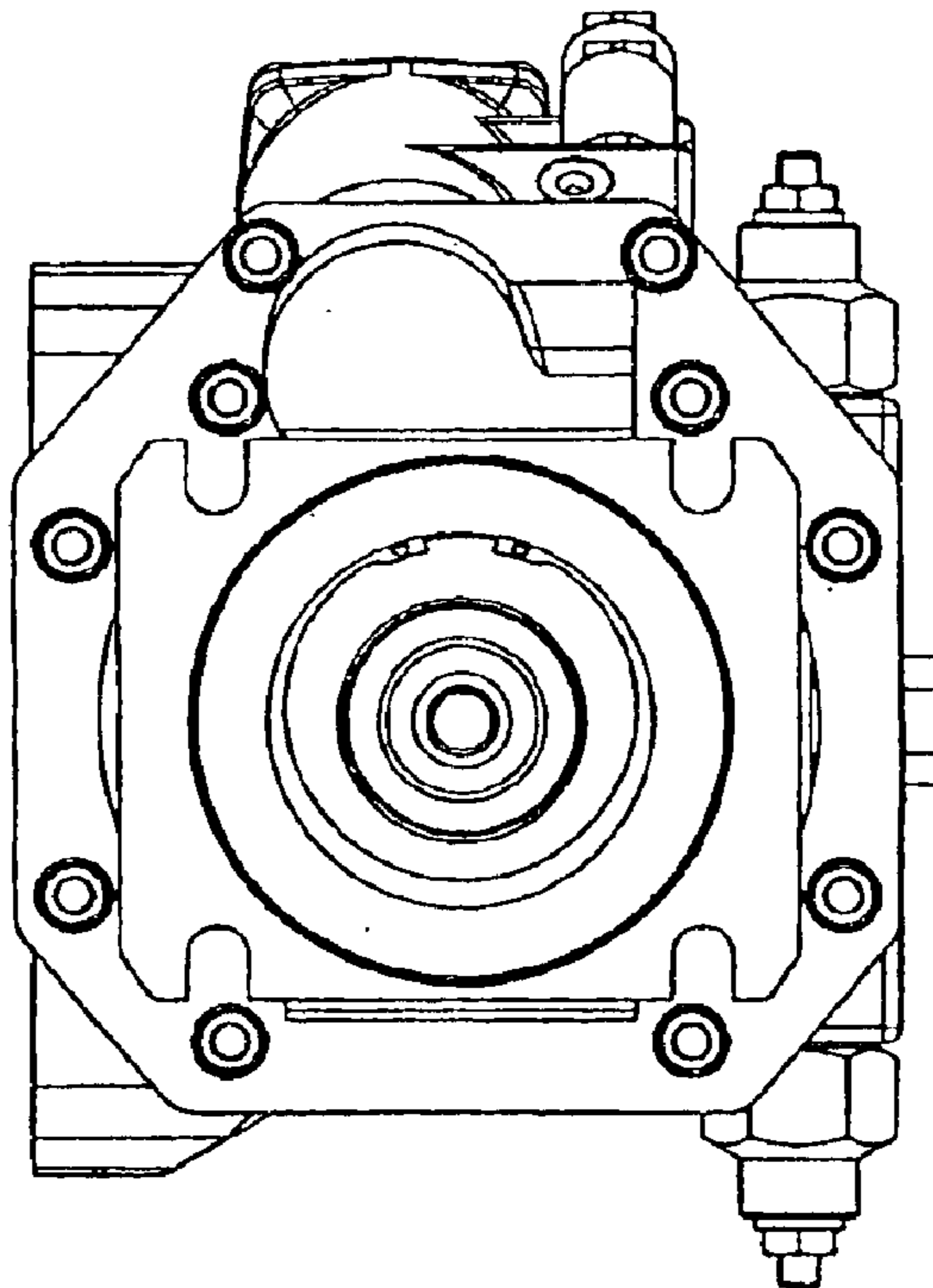


FIG. 6

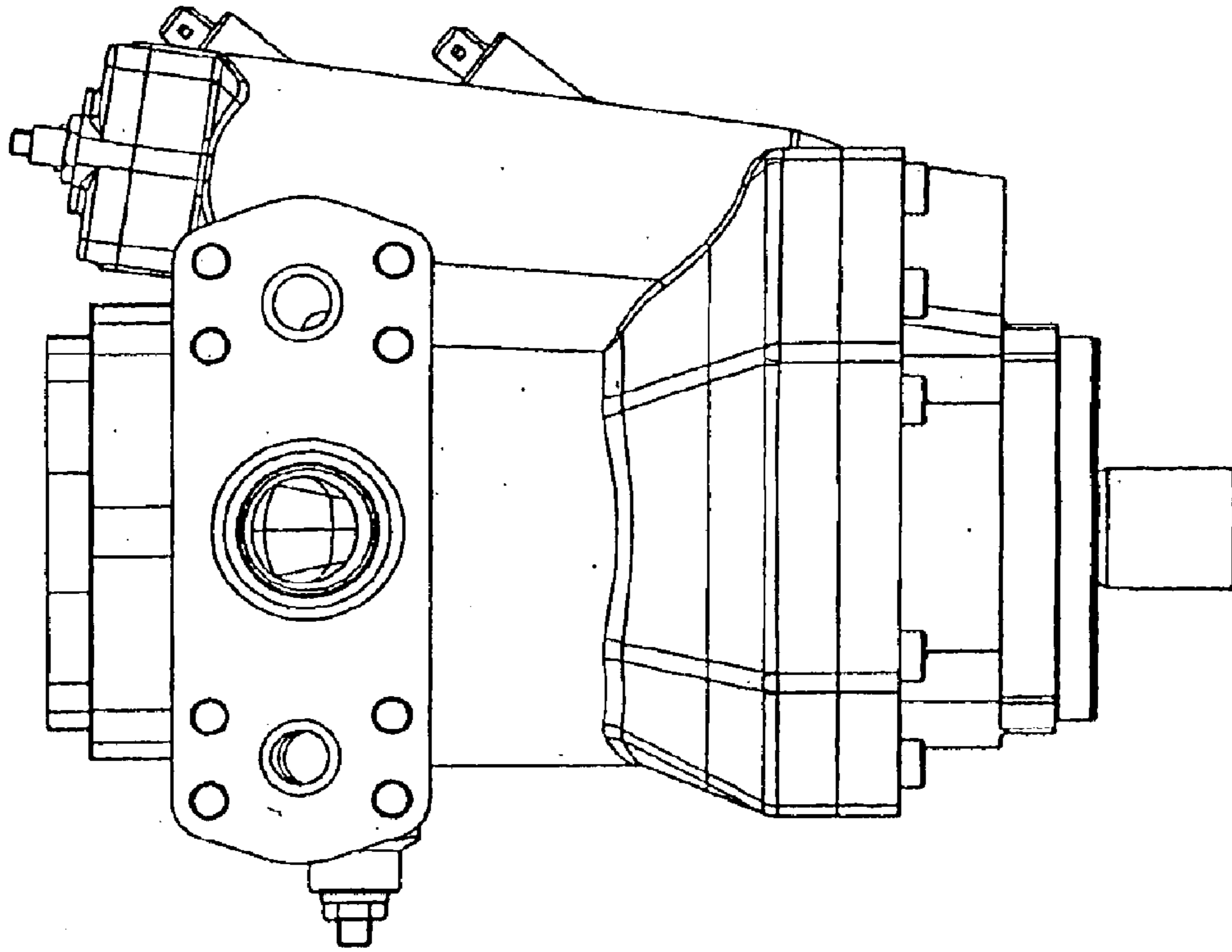


FIG. 7

