



US00D501855S

(12) **United States Design Patent**  
**Burns**

(10) **Patent No.:** **US D501,855 S**

(45) **Date of Patent:** **\*\* Feb. 15, 2005**

(54) **TWO COMPONENT ADHESIVE  
APPLICATOR**

(75) **Inventor:** **Robert S. Burns**, New Wilmington, PA  
(US)

(73) **Assignee:** **Millennium Adhesive Products  
Incorporated**, Chagrin Falls, OH (US)

(\*\*) **Term:** **14 Years**

(21) **Appl. No.:** **29/186,560**

(22) **Filed:** **Jul. 17, 2003**

(51) **LOC (7) Cl.** ..... **15-03**

(52) **U.S. Cl.** ..... **D15/13**

(58) **Field of Search** ..... D15/10, 13; 156/379.8,  
156/391, 497, 359, 157, 499, 574, 578,  
579, 82, 577

(56) **References Cited**

**U.S. PATENT DOCUMENTS**

4,259,142 A \* 3/1981 Kortepeter ..... 156/497  
4,354,893 A \* 10/1982 Kugler et al. .... 156/497

4,743,332 A \* 5/1988 Black ..... 156/359  
4,806,194 A \* 2/1989 Wald ..... 156/379.8  
D383,141 S \* 9/1997 Martini ..... D15/13  
D469,784 S \* 2/2003 Bentley ..... D15/13

\* cited by examiner

*Primary Examiner*—Mitchell Siegel

(74) *Attorney, Agent, or Firm*—Pearne & Gordon LLP

(57) **CLAIM**

The design for a two component adhesive applicator, as shown and described.

**DESCRIPTION**

FIG. 1 is a perspective view of a two component adhesive applicator my new design.

FIG. 2 is a left side view thereof.

FIG. 3 is a top plan view thereof.

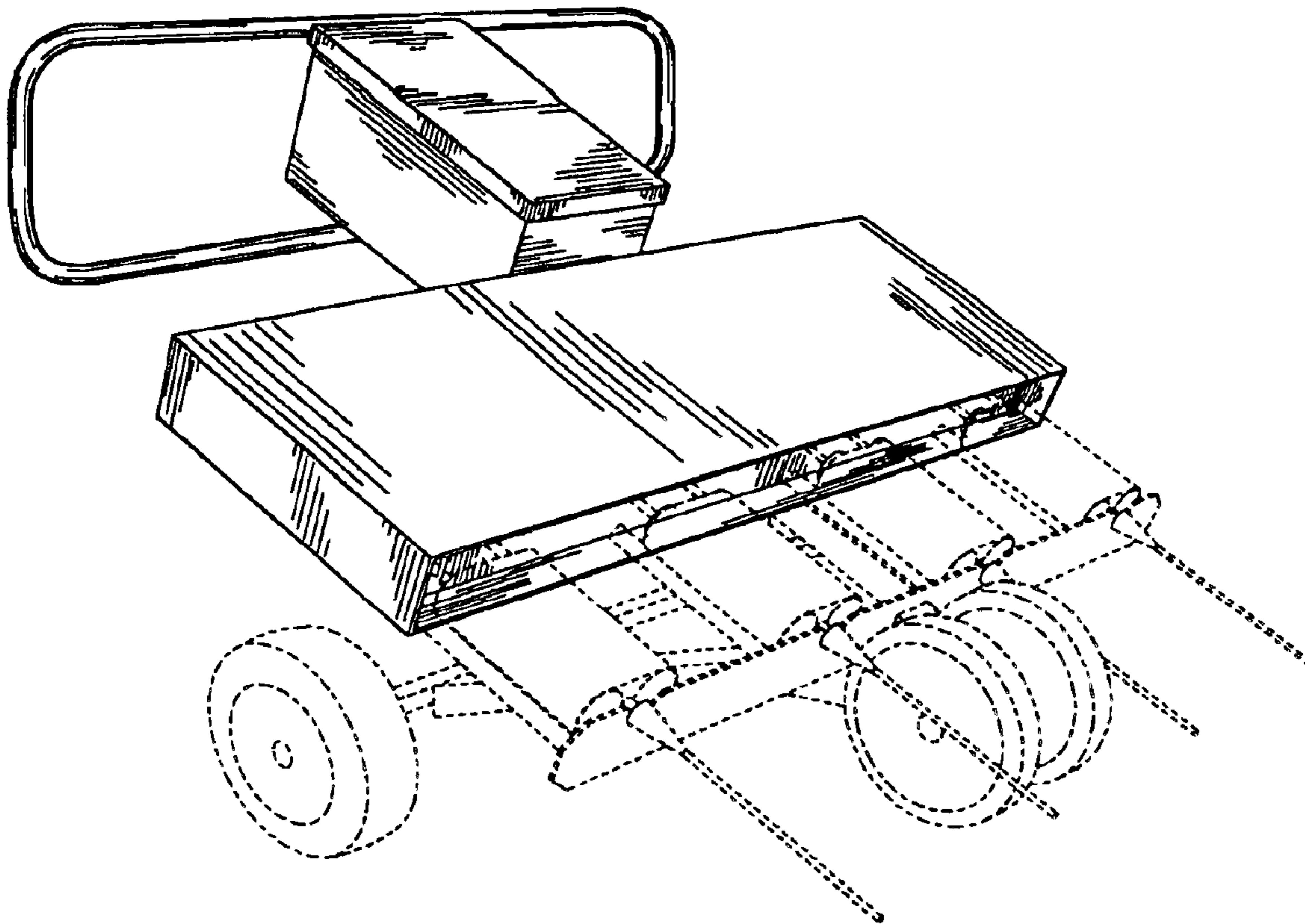
FIG. 4 is a bottom plan view thereof.

FIG. 5 is a front plan view thereof; and,

FIG. 6 is a back plan view thereof.

The broken line showing is for illustrative purposes only and forms no part of the claimed design.

**1 Claim, 3 Drawing Sheets**



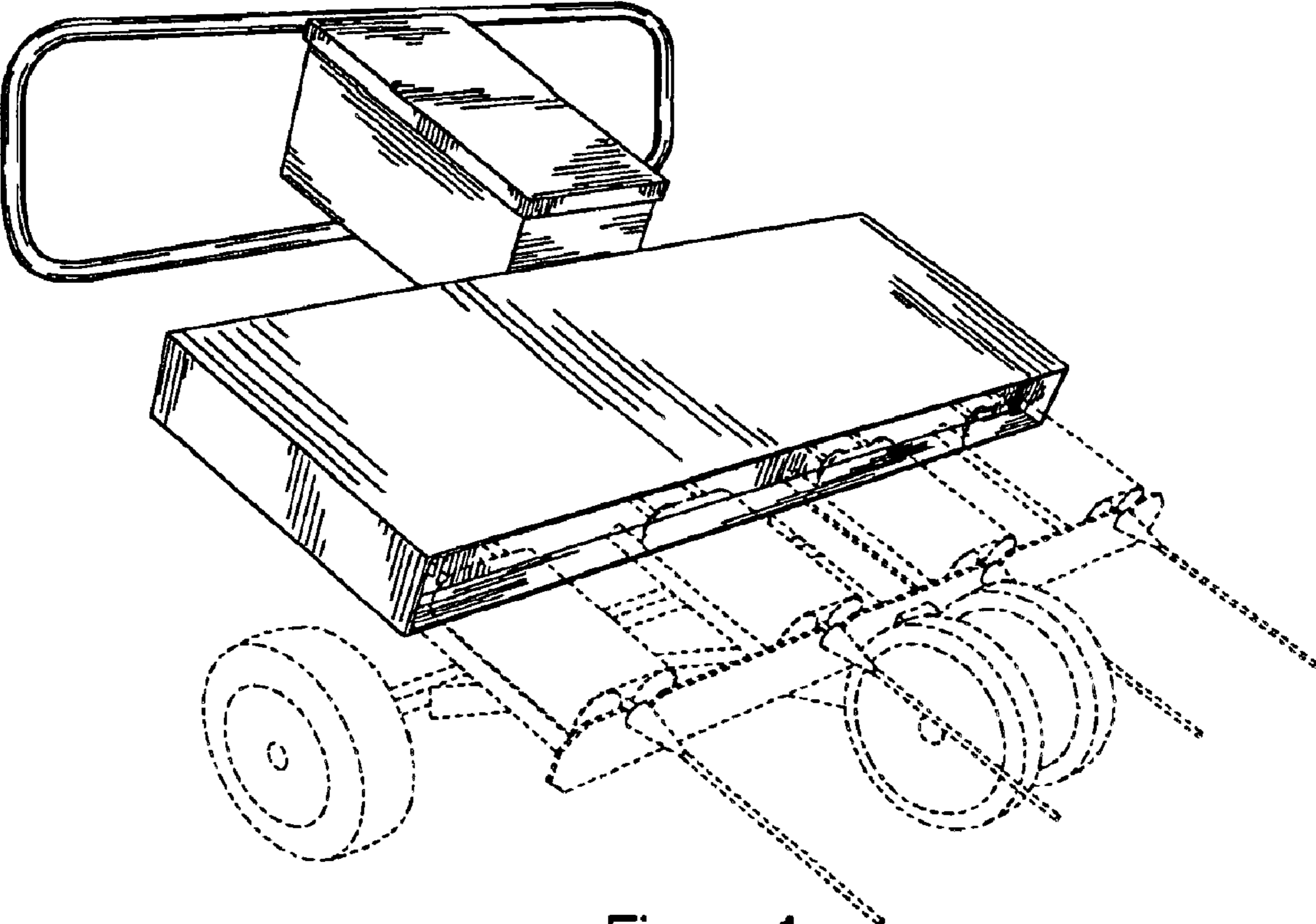


Figure 1

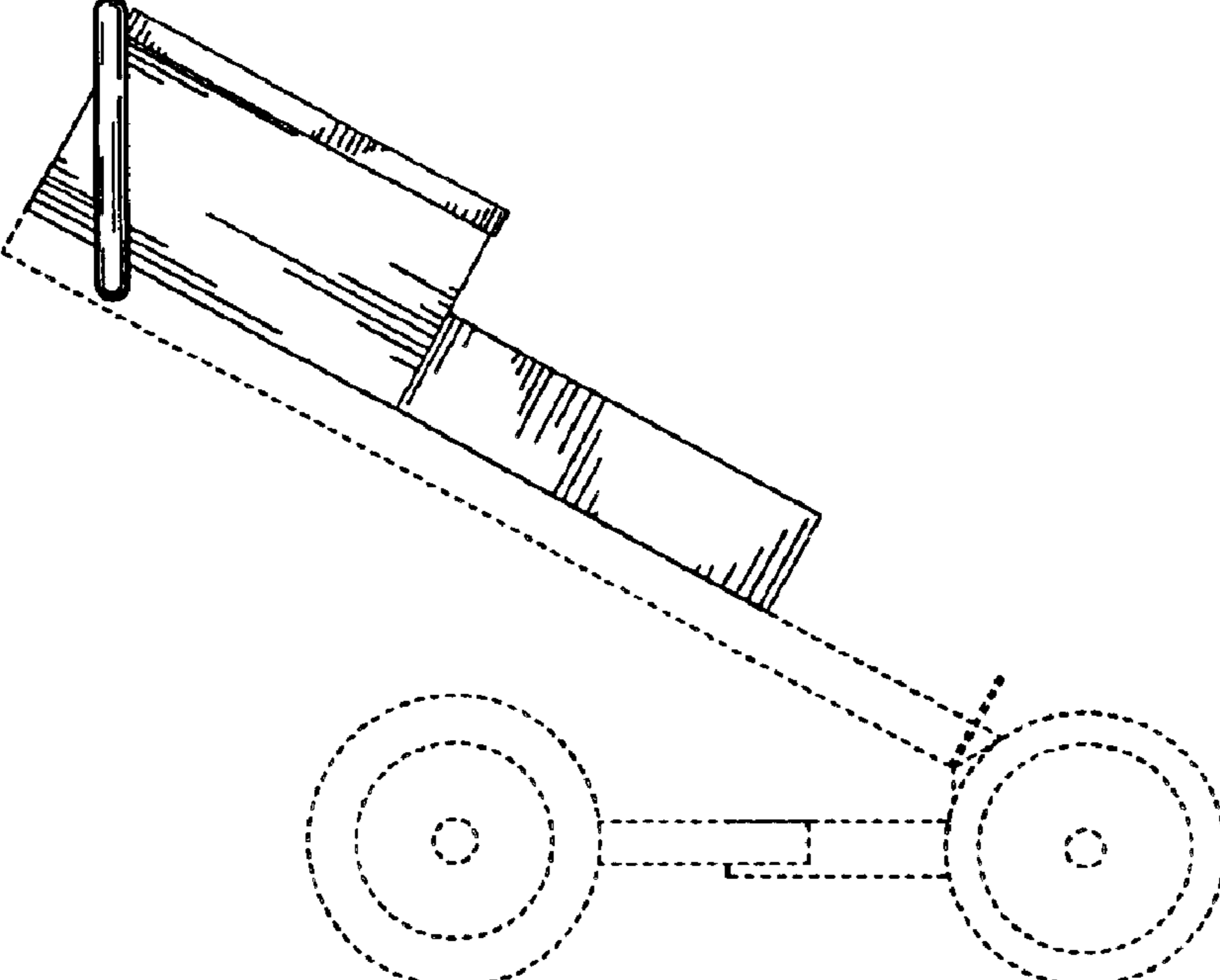
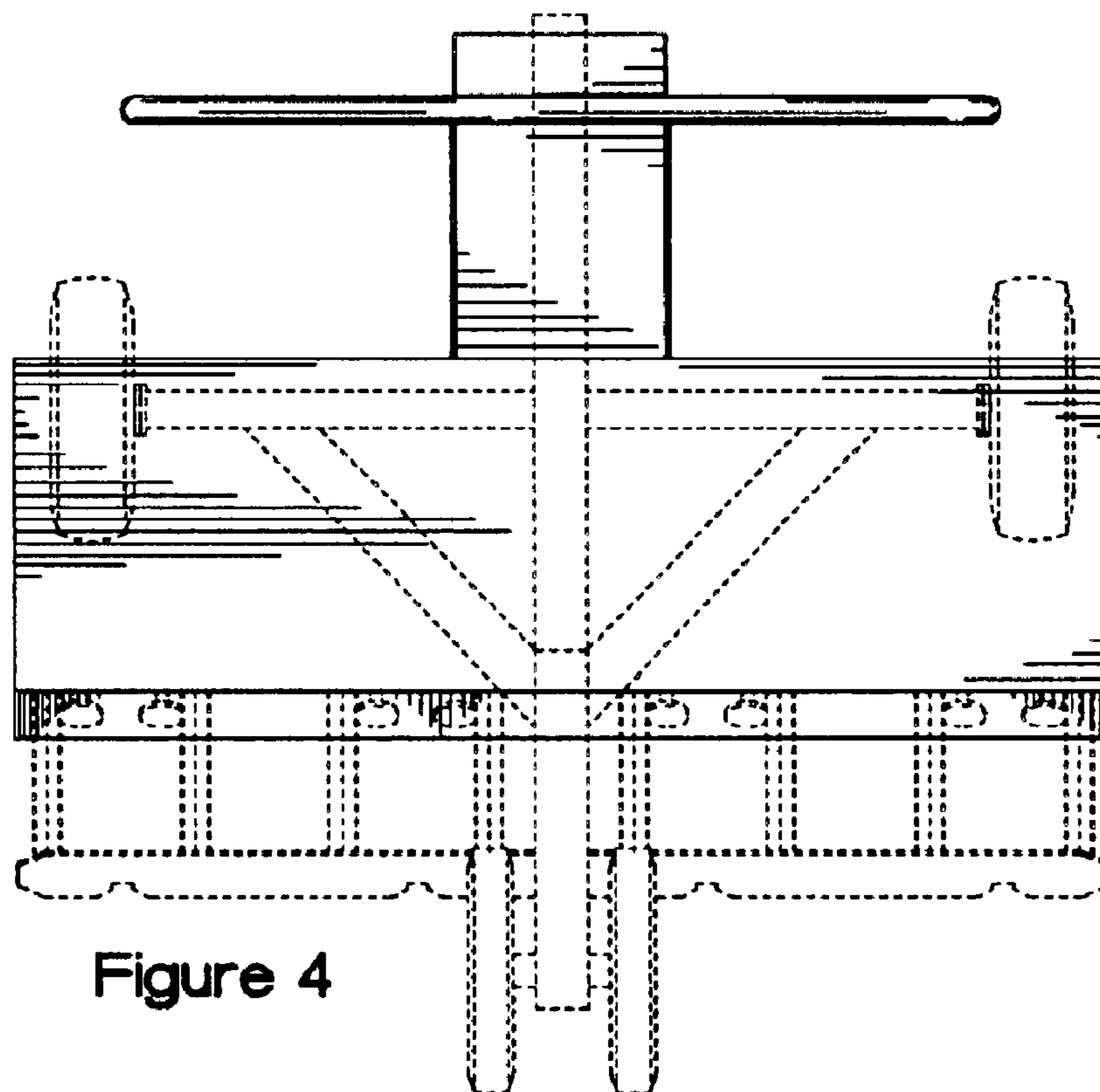
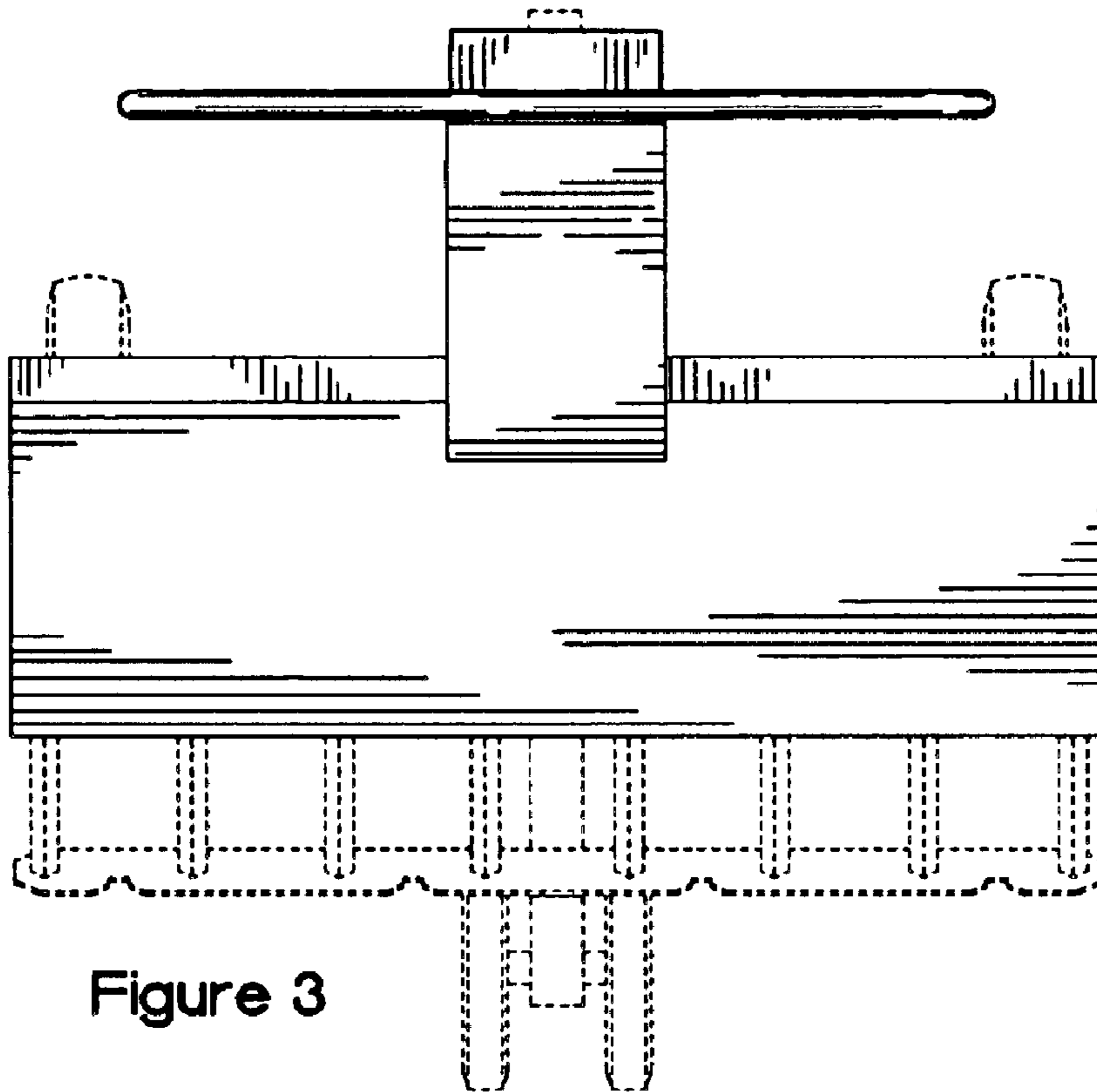


Figure 2



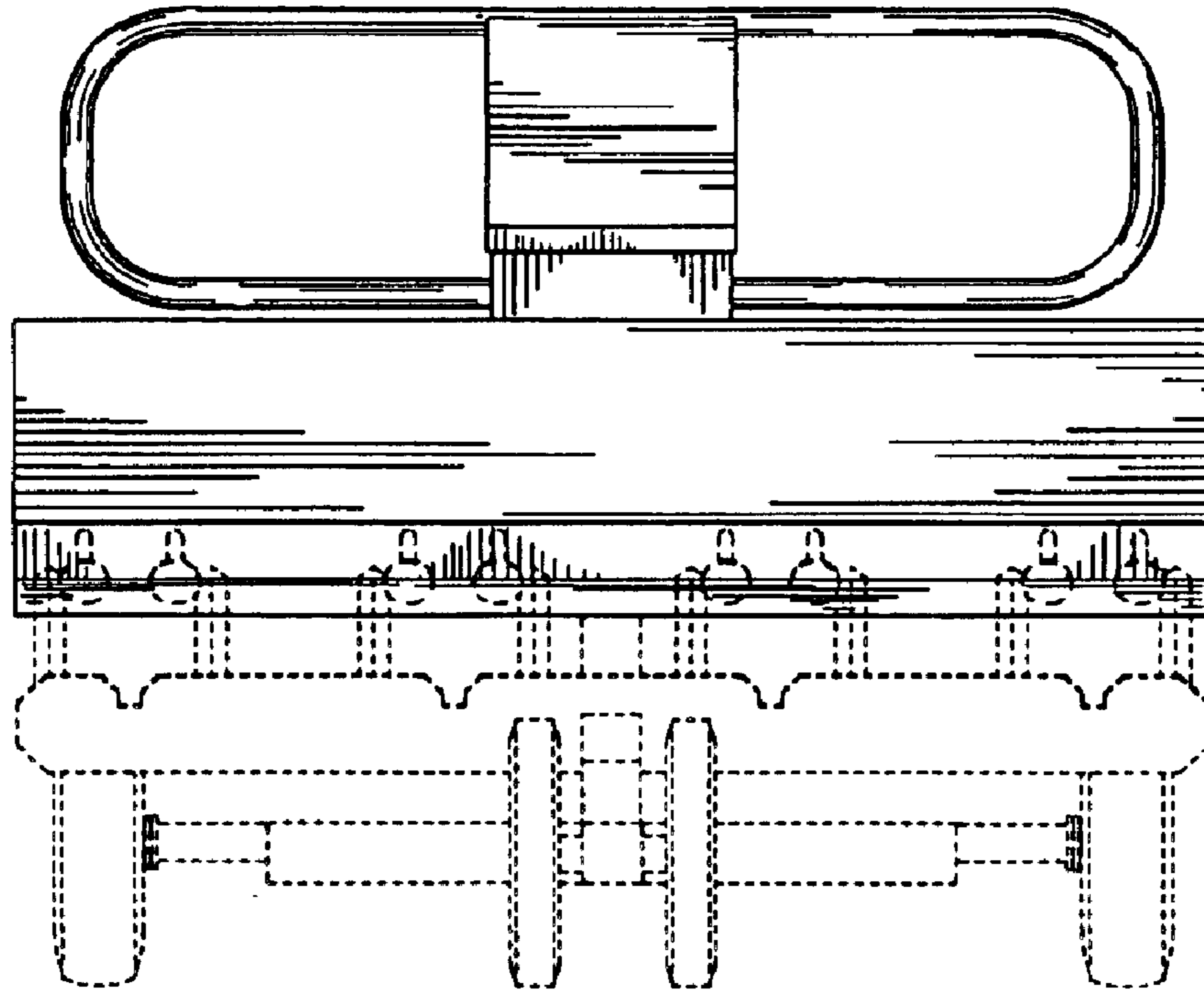


Figure 5

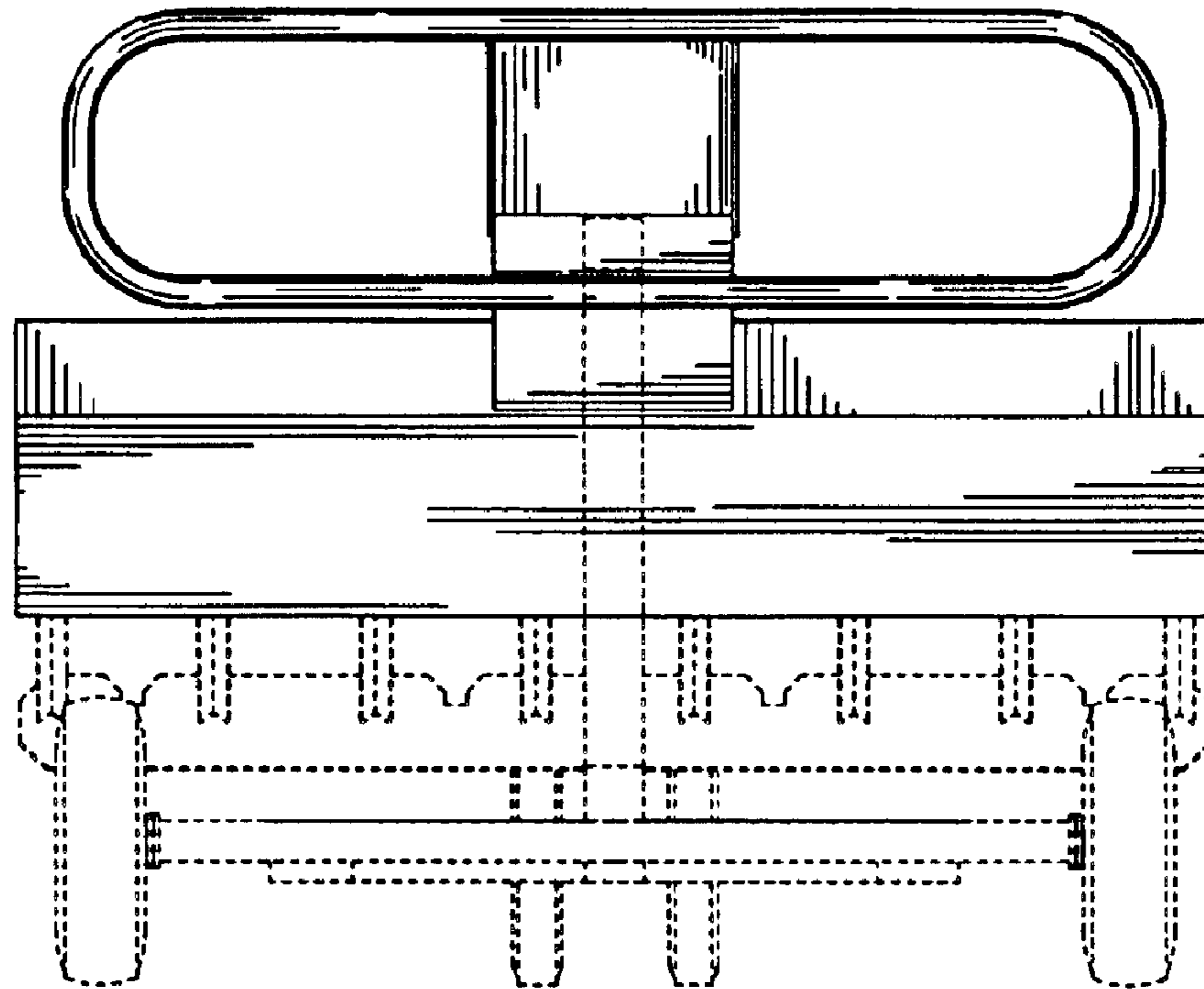


Figure 6