

US00D501854S

(12) **United States Design Patent**
Vick

(10) **Patent No.:** **US D501,854 S**

(45) **Date of Patent:** **** Feb. 15, 2005**

(54) **MONITOR**

(76) **Inventor:** **John Paul Vick**, 13286 Riley St.,
Holland, MI (US) 49424

(**) **Term:** **14 Years**

(21) **Appl. No.:** **29/188,089**

(22) **Filed:** **Aug. 12, 2003**

(51) **LOC (7) Cl.** **14-02**

(52) **U.S. Cl.** **D14/375**

(58) **Field of Search** D14/371-375,
D14/125-129; 345/104, 156, 168, 173,
87, 901-905; 348/180, 184, 325, 739; 248/917-924;
341/12; 349/1, 2, 11, 62

(56) **References Cited**

U.S. PATENT DOCUMENTS

D414,754 S * 10/1999 Jung D14/375
D425,035 S * 5/2000 Kondo et al. D14/375

D431,566 S * 10/2000 Chuo et al. D14/375
D432,102 S * 10/2000 Arie D14/126

FOREIGN PATENT DOCUMENTS

JP 1055165 * 2/1998

* cited by examiner

Primary Examiner—Freda S. Nunn

(74) *Attorney, Agent, or Firm*—King & Jovanovic, PLC

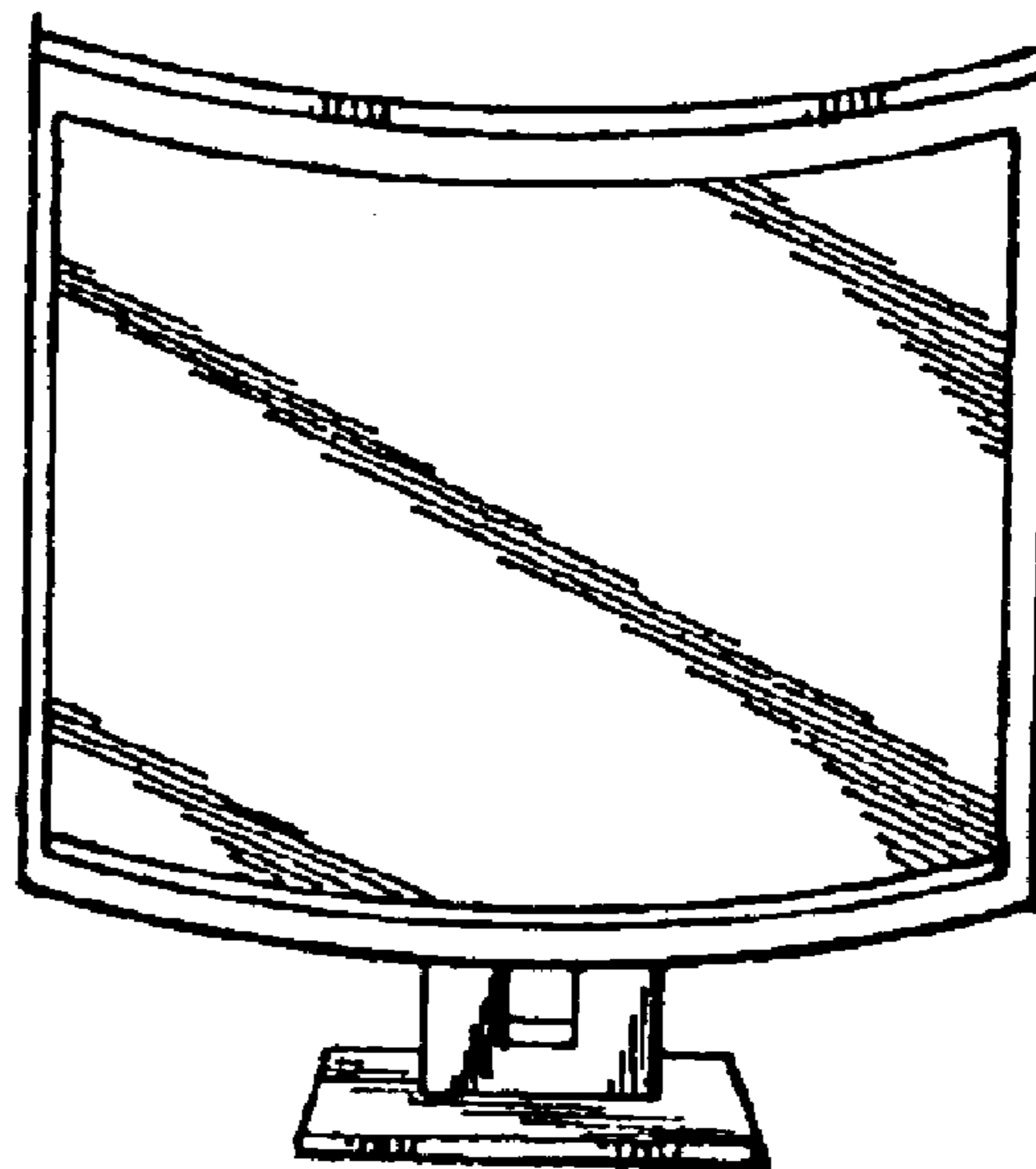
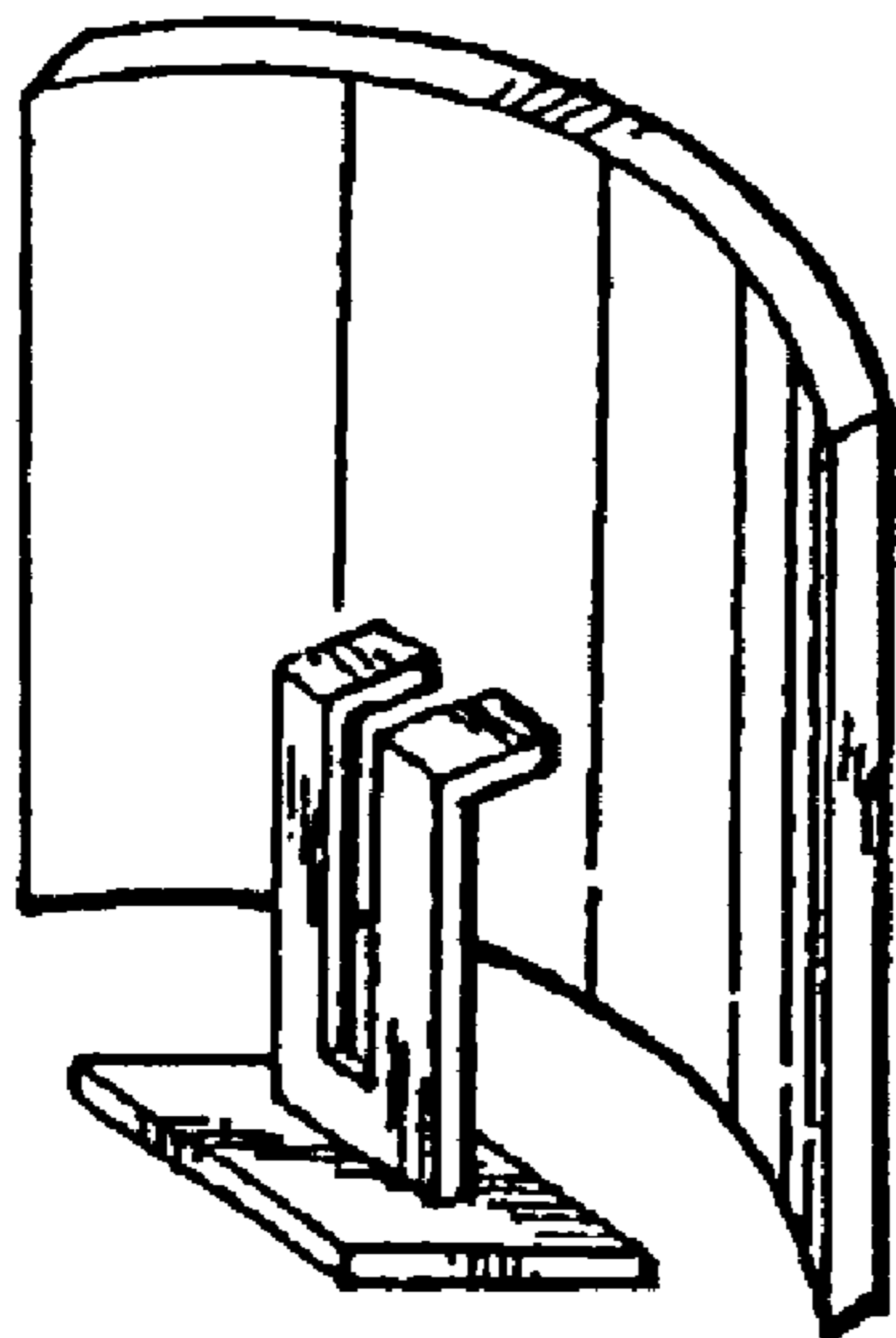
(57) **CLAIM**

The ornamental design for a monitor, as shown.

DESCRIPTION

FIG. 1 is a back, top, side perspective view of the monitor, showing, in particular the ornamental design thereof; FIG. 2 is a front, top perspective view thereof; FIG. 3 is a back, top perspective view thereof; FIG. 4 is a top plan view thereof; and, FIG. 5 is a bottom plan view thereof.

1 Claim, 1 Drawing Sheet



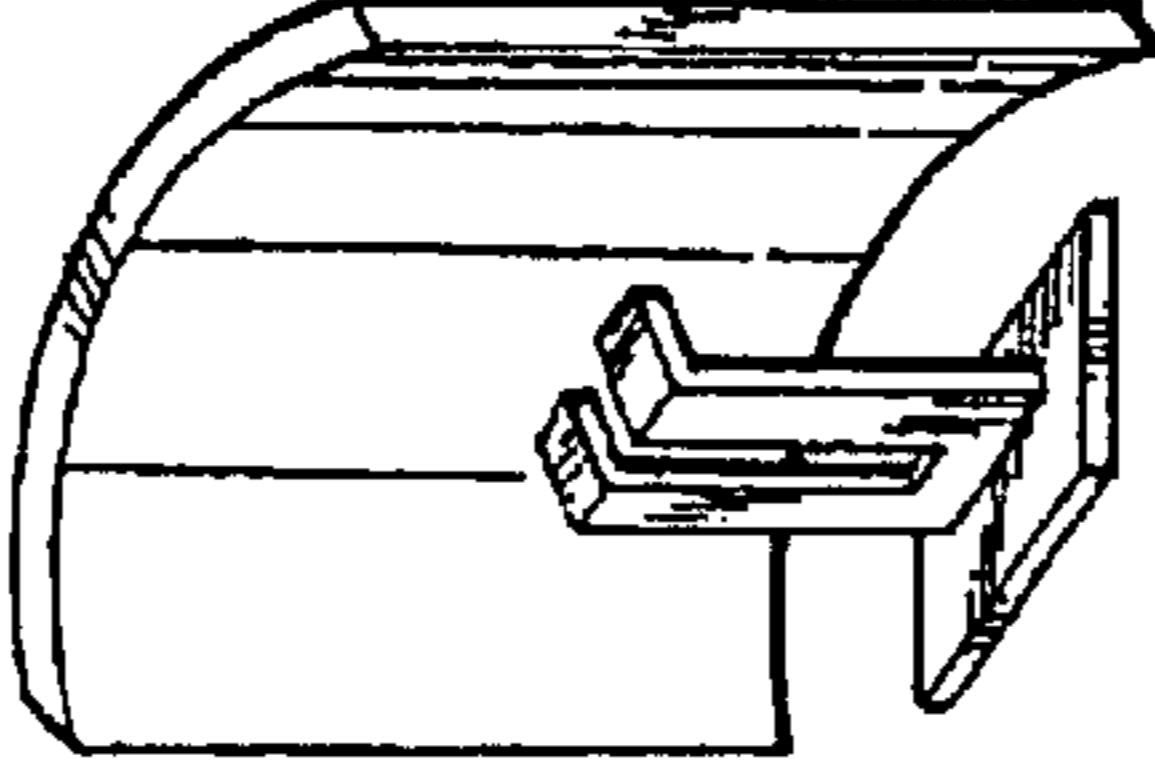


FIG. 1

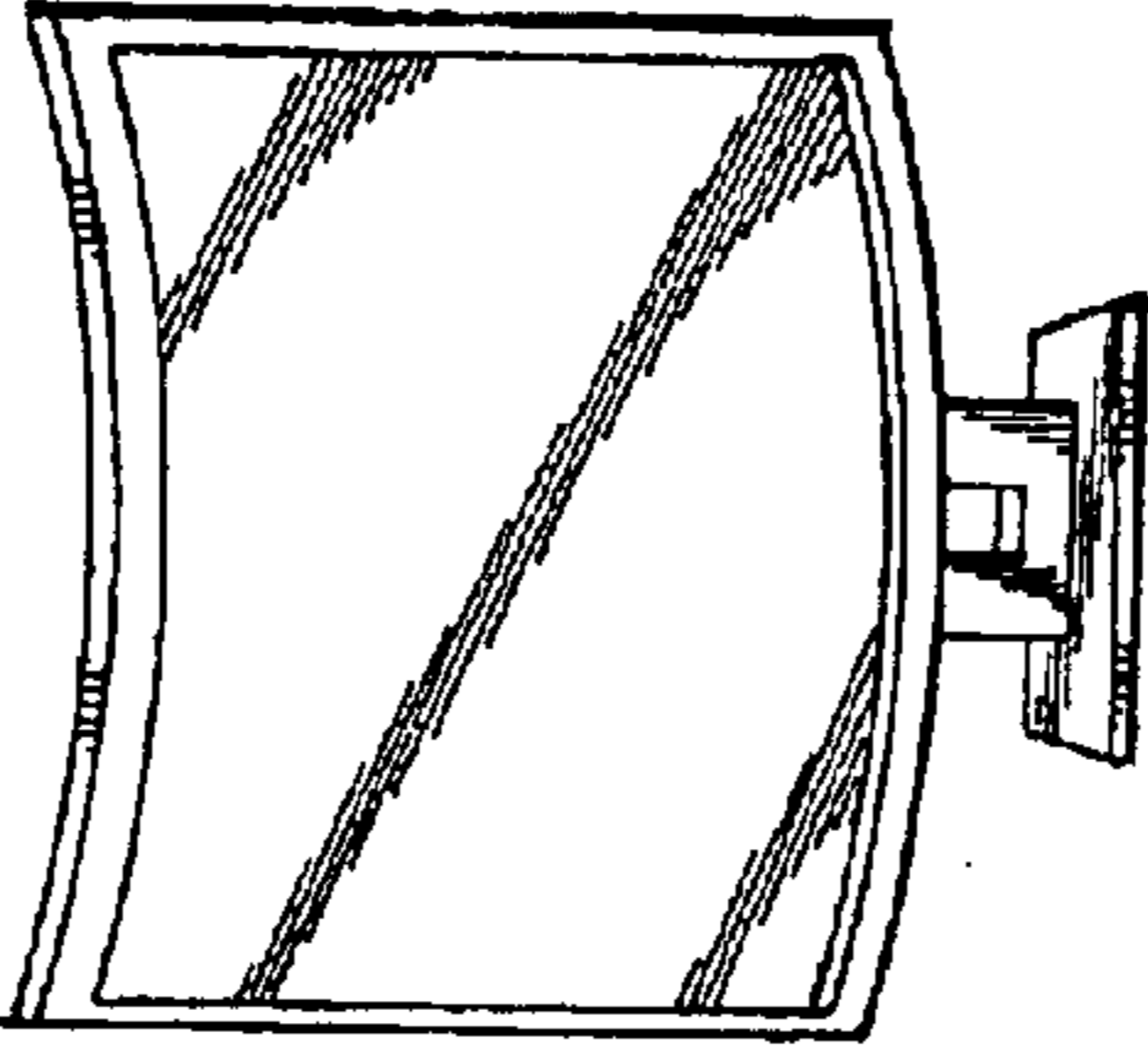


FIG. 2

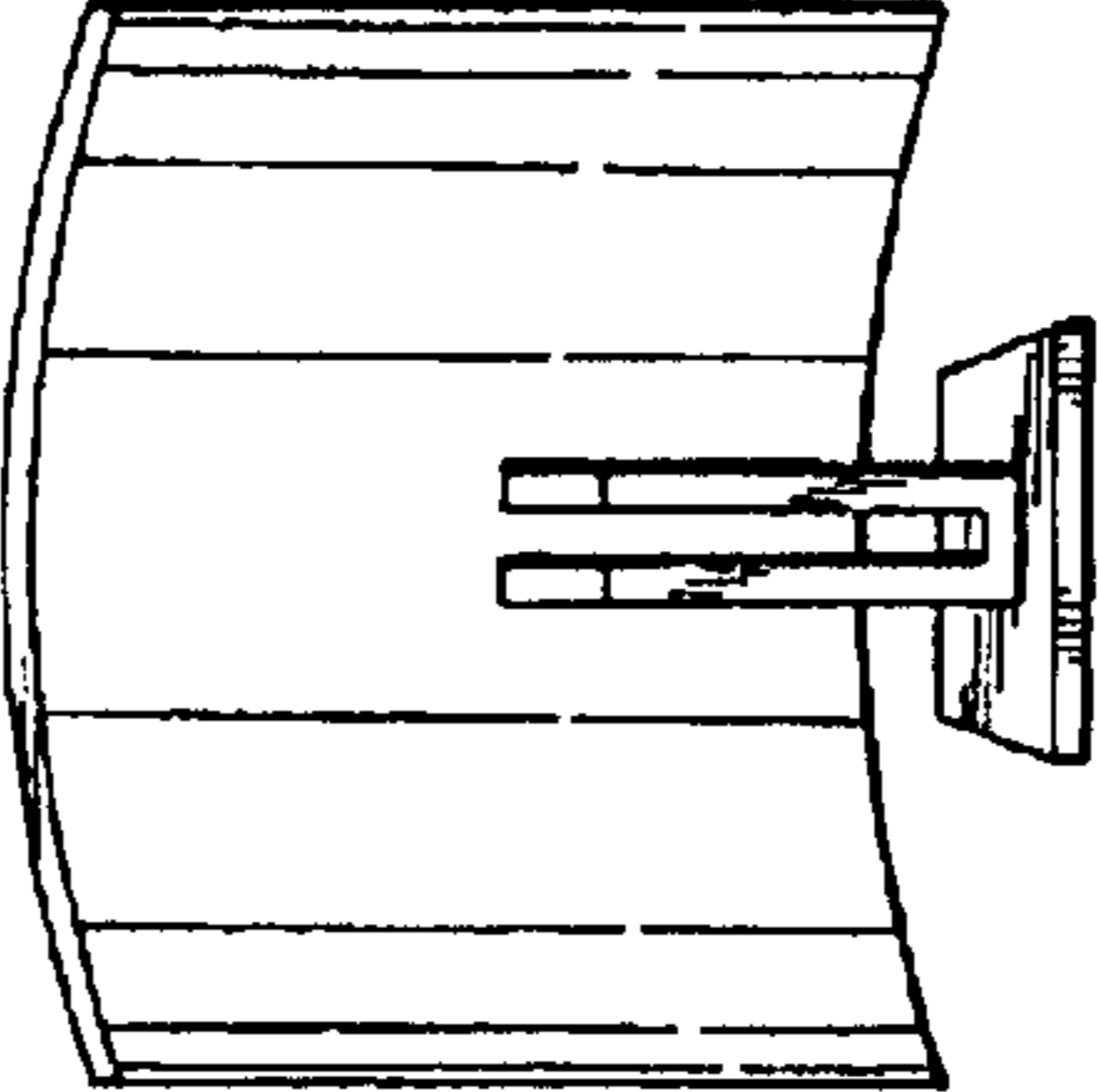


FIG. 3

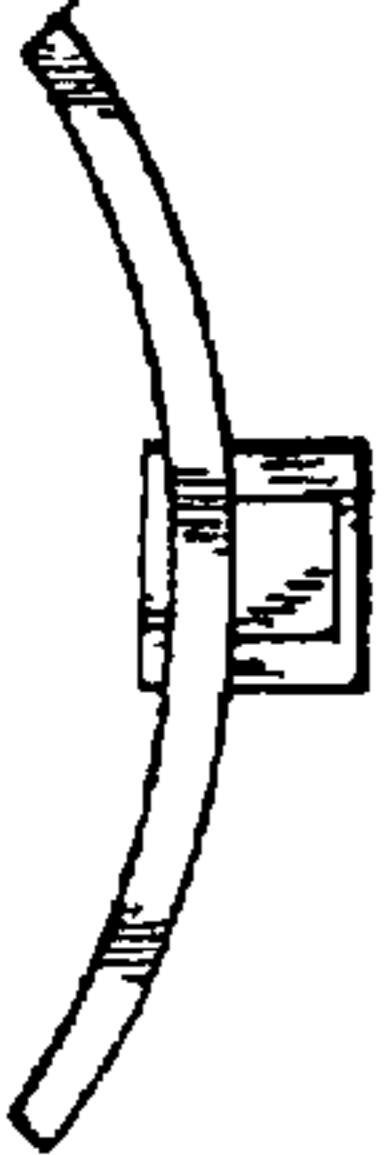


FIG. 4



FIG. 5