



US00D501852S

(12) **United States Design Patent** (10) **Patent No.:** **US D501,852 S**
Quilling, II (45) **Date of Patent:** **** Feb. 15, 2005**

- (54) **DIN/ISO AUTO STEREO MOUNTING DEVICE WITH POCKET**
- (75) Inventor: **R. Spencer Quilling, II**, Glenwood, FL (US)
- (73) Assignee: **Metra Electronics Corporation**, Holly Hill, FL (US)
- (**) Term: **14 Years**

- U.S. Appl. No. 29/188,825, filed Aug. 26, 2003, Quilling.
- U.S. Appl. No. 29/188,824, filed Aug. 26, 2003, Quilling.
- U.S. Appl. No. 29/188,821, filed Aug. 26, 2003, Quilling.
- U.S. Appl. No. 29/188,823, filed Aug. 26, 2003, Quilling.
- U.S. Appl. No. 29/188,822, filed Aug. 26, 2003, Quilling.
- U.S. Appl. No. 29/176,652, filed Feb. 23, 2003, Quilling.

* cited by examiner

- (21) Appl. No.: **29/188,820**
- (22) Filed: **Aug. 26, 2003**
- (51) **LOC (7) Cl.** **14-01**
- (52) **U.S. Cl.** **D14/258; D14/244**
- (58) **Field of Search** D14/204, 217, D14/224, 229, 258; D12/223; 248/27.1, 27.3, 220.3, 221.3, 221.4, 558; 403/4; 455/345; 361/685

Primary Examiner—Paula A. Greene
(74) *Attorney, Agent, or Firm*—Fitzpatrick, Cella, Harper & Scinto

(57) **CLAIM**

I claim the ornamental design for a DIN/ISO auto stereo mounting device with pocket, as shown and described.

DESCRIPTION

(56) **References Cited**

U.S. PATENT DOCUMENTS

5,106,039 A	4/1992	Gross	
D356,566 S	* 3/1995	Ohta D14/157
5,467,947 A	11/1995	Quilling, II	
5,485,348 A	* 1/1996	Oros 361/685
D401,591 S	11/1998	Jones, Jr.	
D418,838 S	1/2000	Jones, Jr.	
D481,378 S	10/2003	Quilling, II et al.	
D481,707 S	11/2003	Quilling, II et al.	
D482,023 S	11/2003	Quilling, II et al.	
D482,024 S	11/2003	Quilling, II et al.	
D483,027 S	12/2003	Quilling, II et al.	
D484,495 S	12/2003	Quilling, II et al.	
D485,260 S	1/2004	Quilling, II et al.	
D492,668 S	* 7/2004	Quilling, II D14/224
D496,028 S	* 9/2004	Quilling, II D14/224

OTHER PUBLICATIONS

Metra 2001 Autosound Installation Products Catalog, Cover, pp. 1–62, Published May 2001.
Metra 2002 Autosound Installation Products Catalog, Cover, pp. 6–64, Published Oct. 2002.

FIG. 1 is a right front perspective view of a DIN/ISO auto stereo mounting device, showing my design;

FIG. 2 is a front elevation view of FIG. 1;

FIG. 3 is a top plan view of FIG. 1;

FIG. 4A is a right side elevation view of FIG. 1;

FIG. 4B is a right side elevation in cross-section, along line 4B–4B of FIG. 2, to better illustrate certain features of the disclosed design;

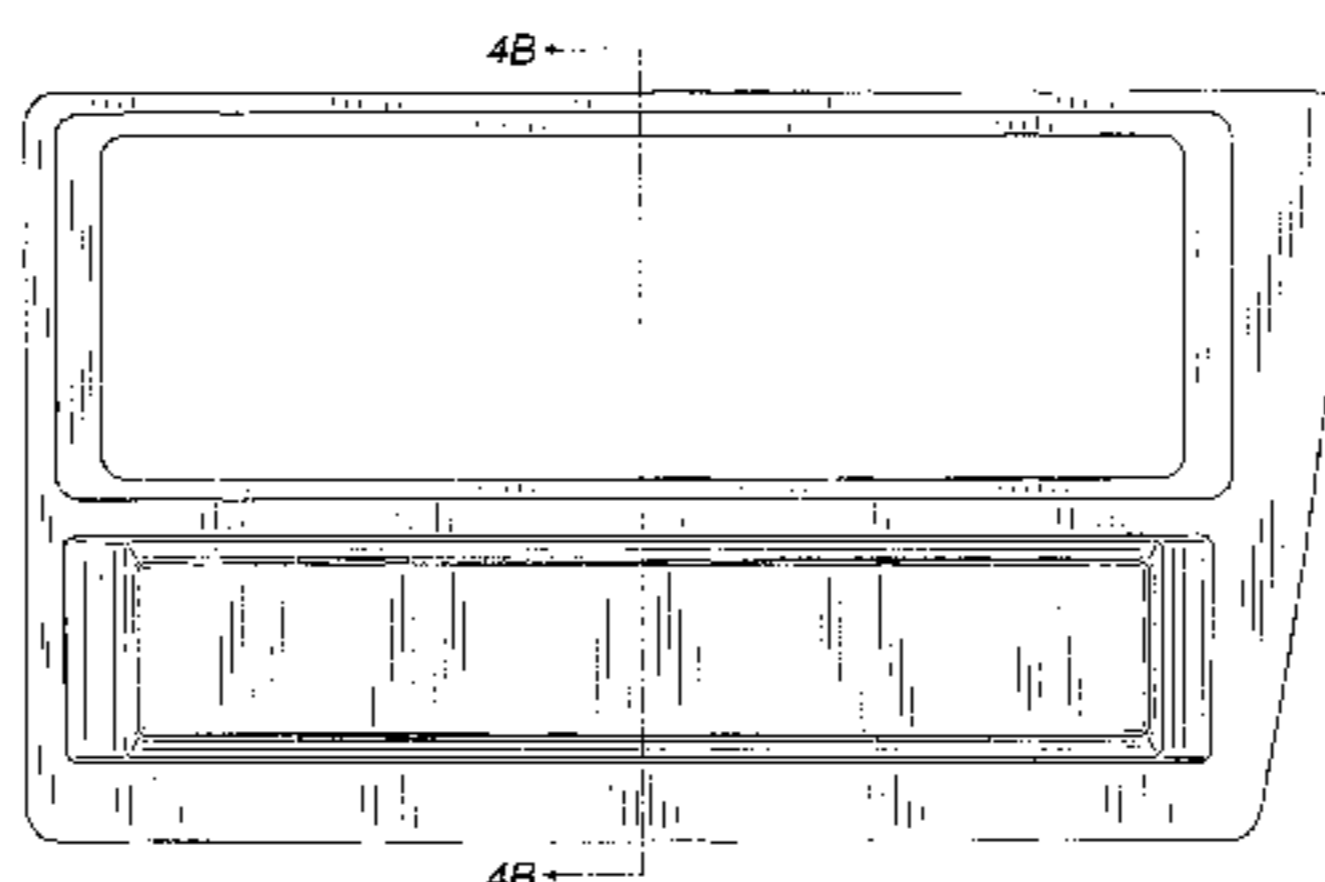
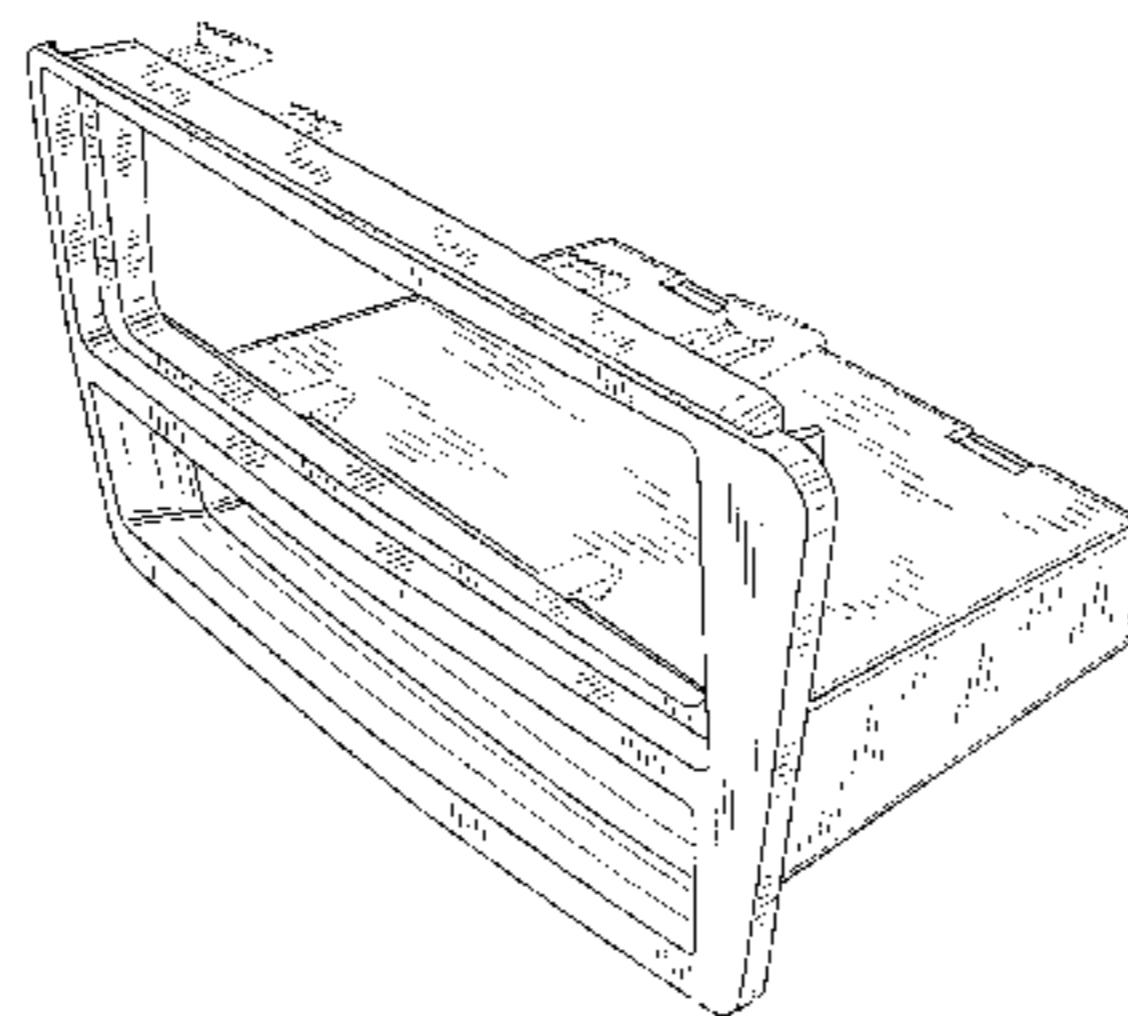
FIG. 5 is a left side elevation view of FIG. 1;

FIG. 6 is a bottom plan view of FIG. 1; and,

FIG. 7 is a rear elevation view of FIG. 1.

The appearance of my design for a DIN/ISO auto stereo mounting device with pocket, characterized by a front surface into which a DIN/ISO unit is inserted, and a narrow horizontal pocket. The mounting structure shown in dotted line forms no part of the claimed design.

1 Claim, 7 Drawing Sheets



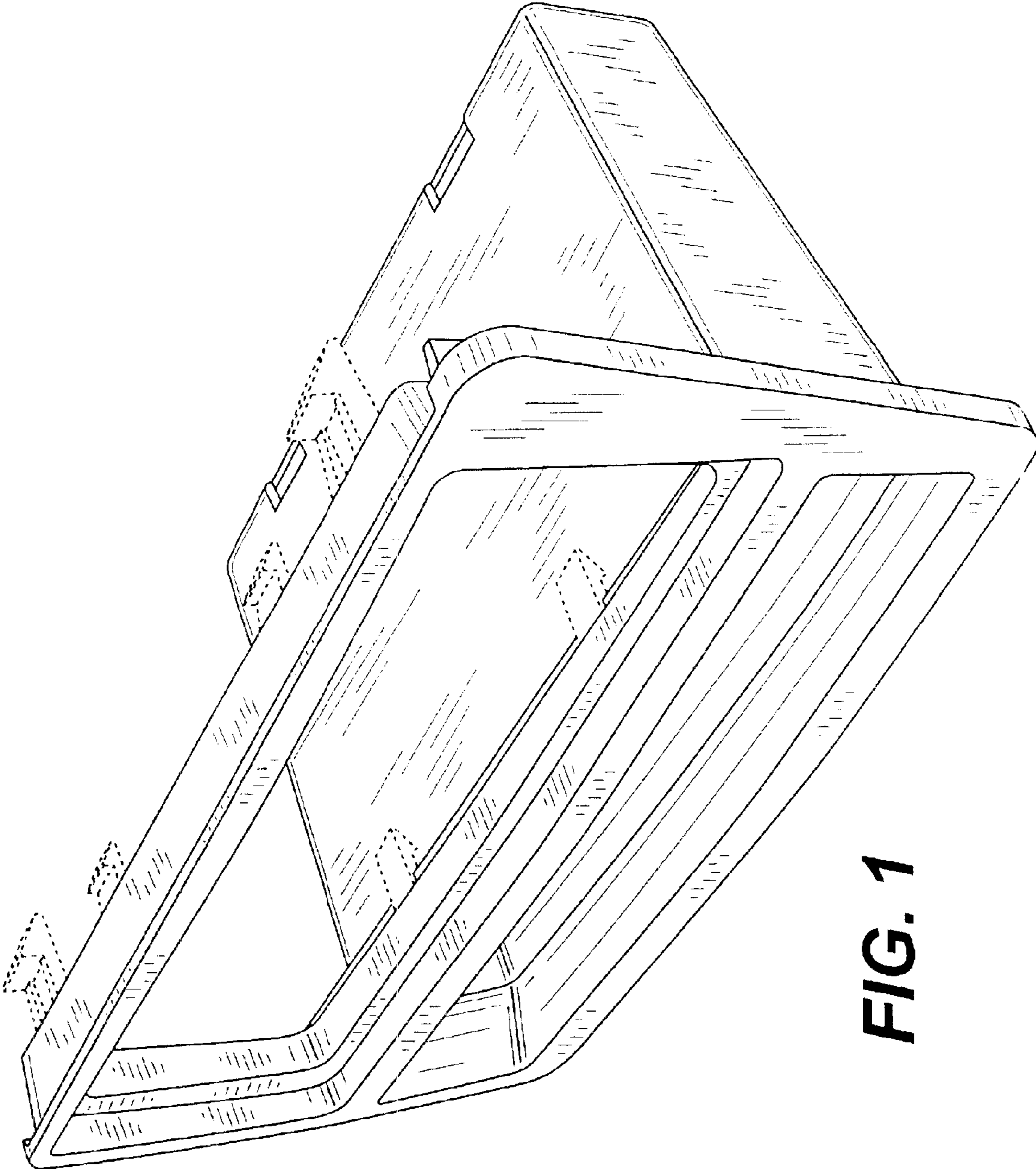


FIG. 1

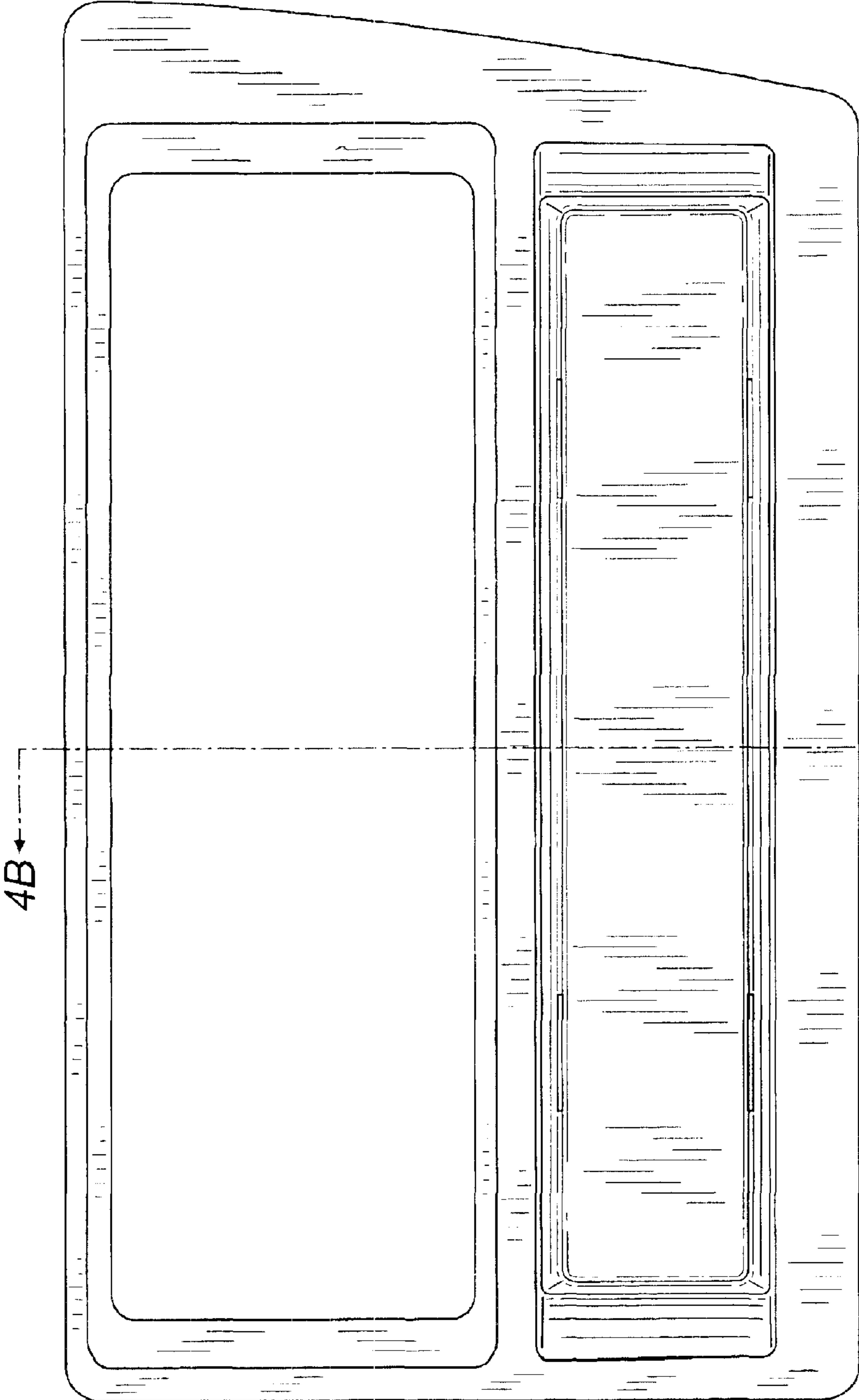


FIG. 2

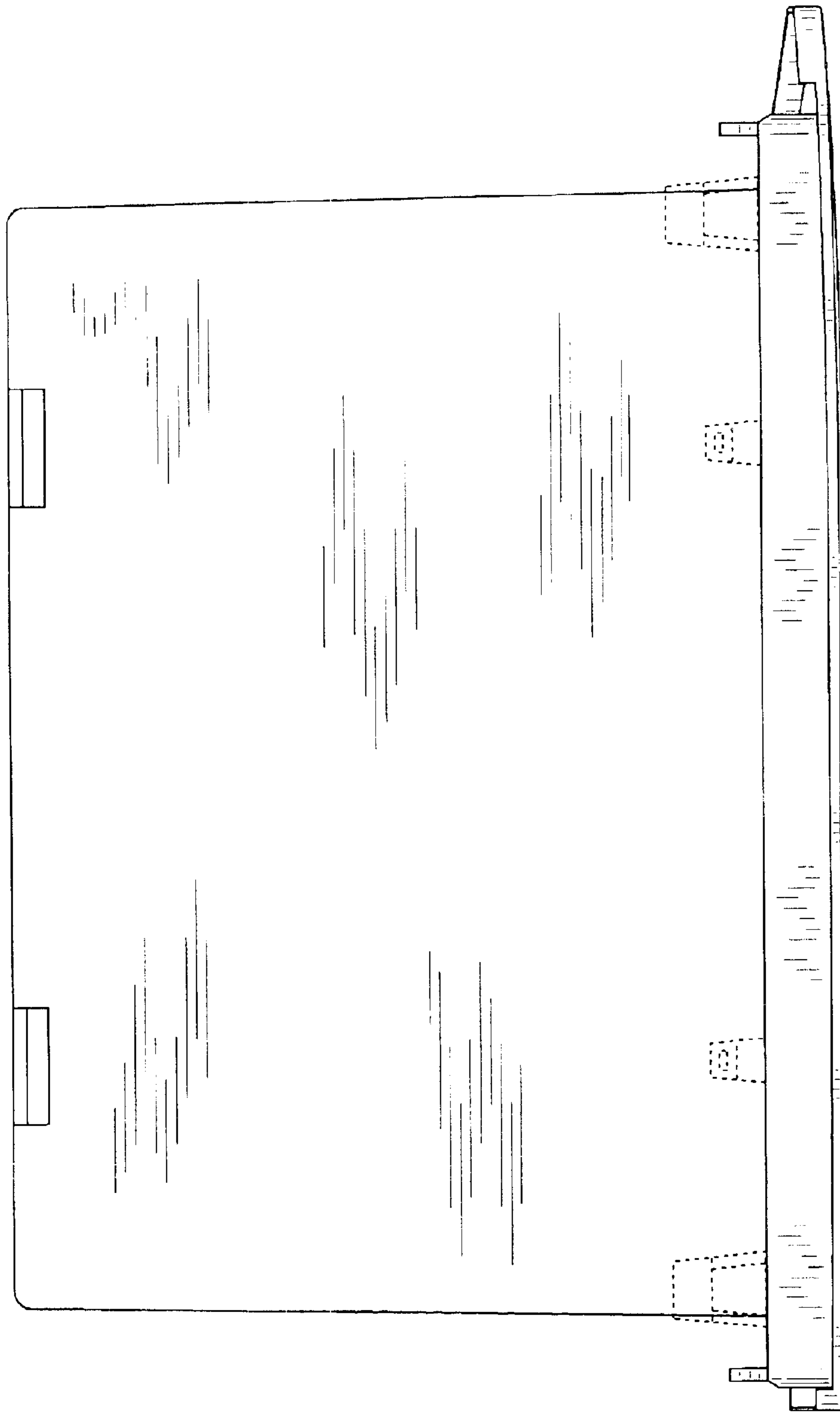


FIG. 3

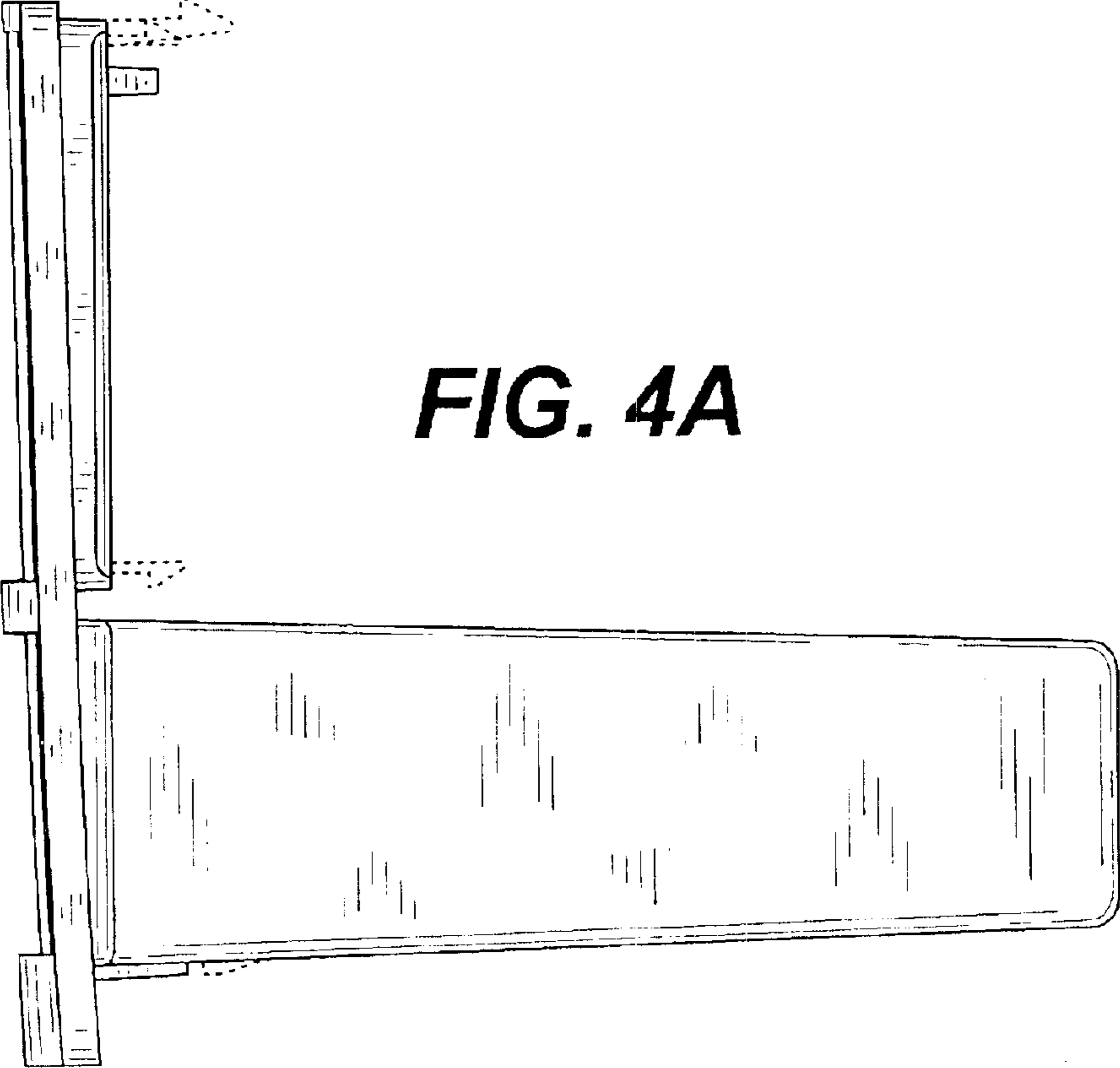


FIG. 4A

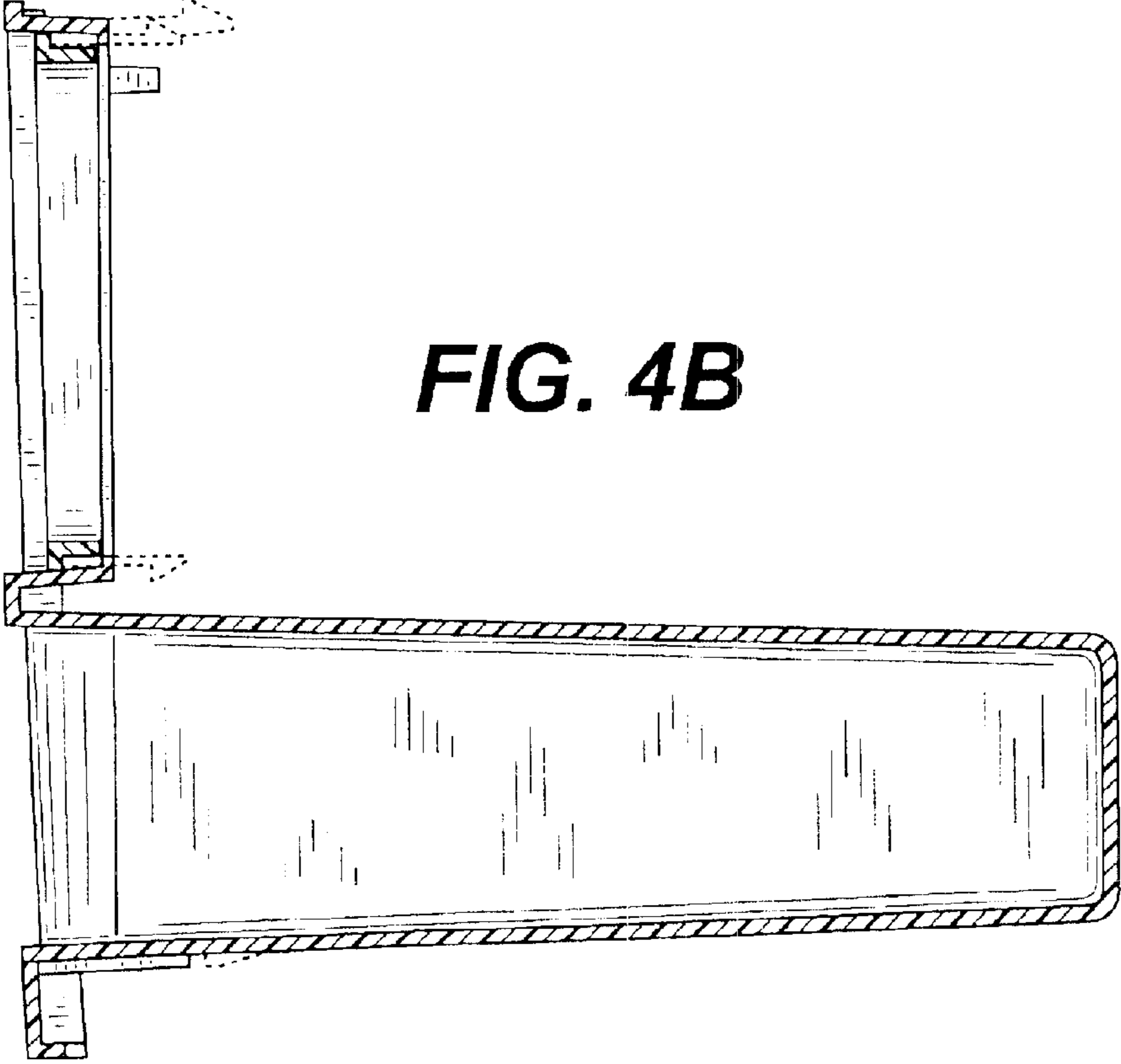


FIG. 4B

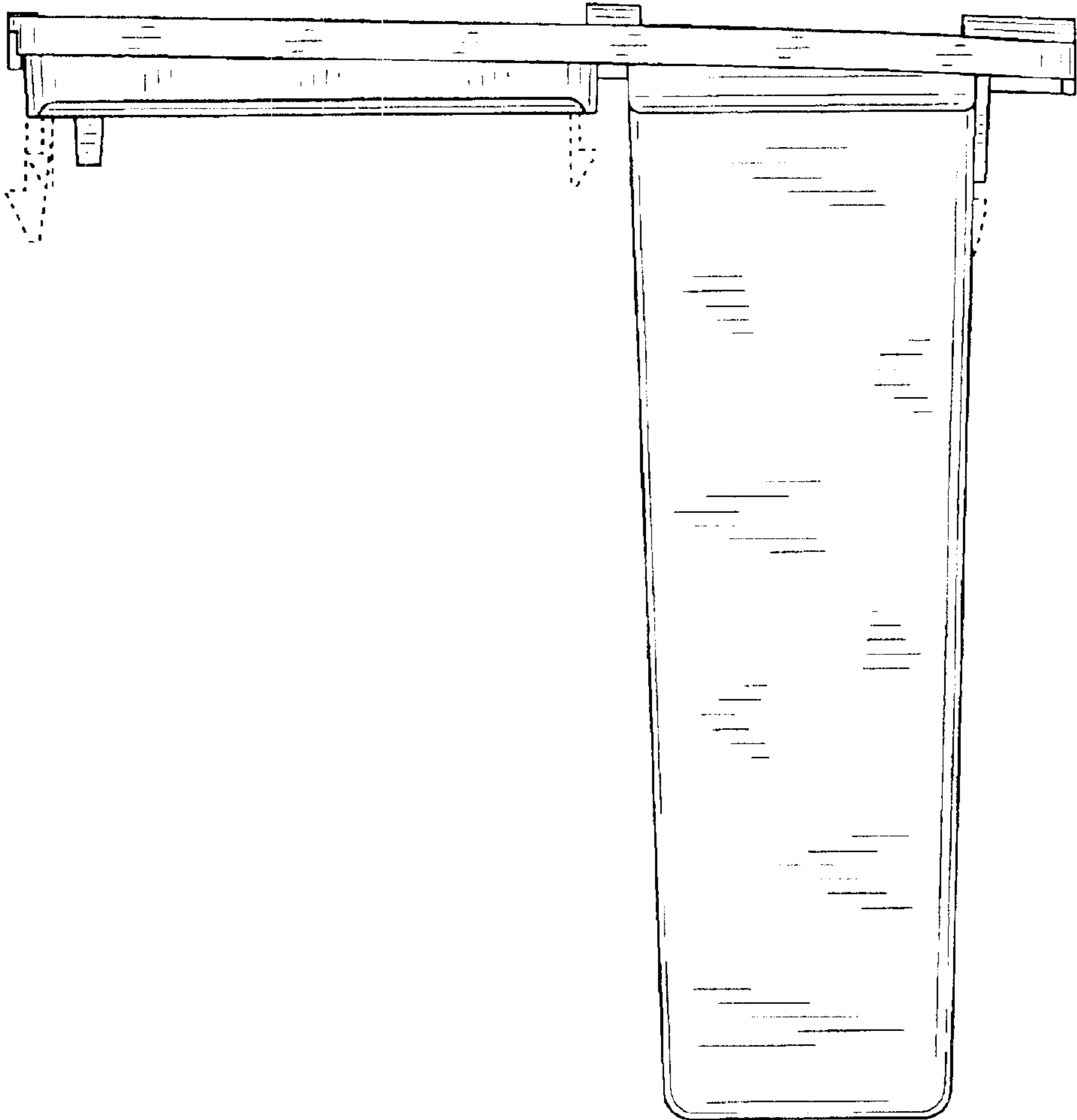


FIG. 5

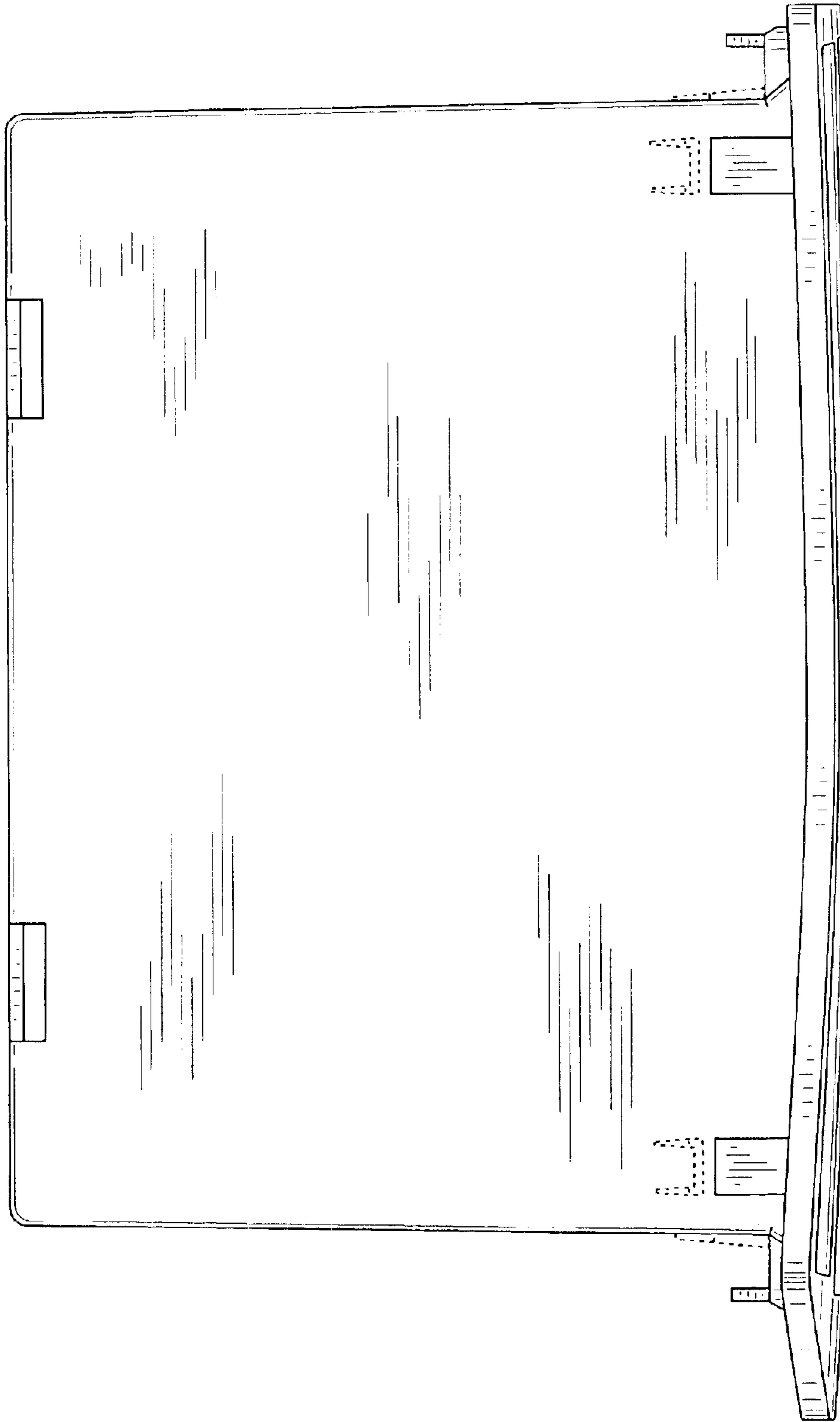


FIG. 6



FIG. 7