

US00D501845S

(12) **United States Design Patent**
Allen

(10) **Patent No.:** **US D501,845 S**
(45) **Date of Patent:** **** Feb. 15, 2005**

(54) **LOUDSPEAKER**

(75) **Inventor:** **Graham David Allen**, Alderley Edge
(GB)

(73) **Assignee:** **KH Technology Corporation**, George
Town (KY)

(**) **Term:** **14 Years**

(21) **Appl. No.:** **29/199,337**

(22) **Filed:** **Feb. 12, 2004**

(30) **Foreign Application Priority Data**

Sep. 2, 2003 (GB) 3014244

(51) **LOC (7) Cl.** **14-01**

(52) **U.S. Cl.** **D14/216**

(58) **Field of Search** D14/204, 207,
D14/209-216, 356; 181/143-144, 147-148,
150, 157, 198-199, 151, 153; 381/300-302,
306, 333, 345, 361-364, 386-388, 332,
336

(56) **References Cited**

U.S. PATENT DOCUMENTS

D223,580 S * 5/1972 Richards D14/215
4,334,211 A * 6/1982 McConnell et al. 381/386

4,756,382 A * 7/1988 Hudson, III 181/156
D393,642 S * 4/1998 Yuyama D14/216
D475,695 S * 6/2003 Petronio D14/216

* cited by examiner

Primary Examiner—Nanda Bondade

(74) *Attorney, Agent, or Firm*—Kenneth L. Sherman, Esq.;
Myers, Dawes, Andras & Sherman, LLP

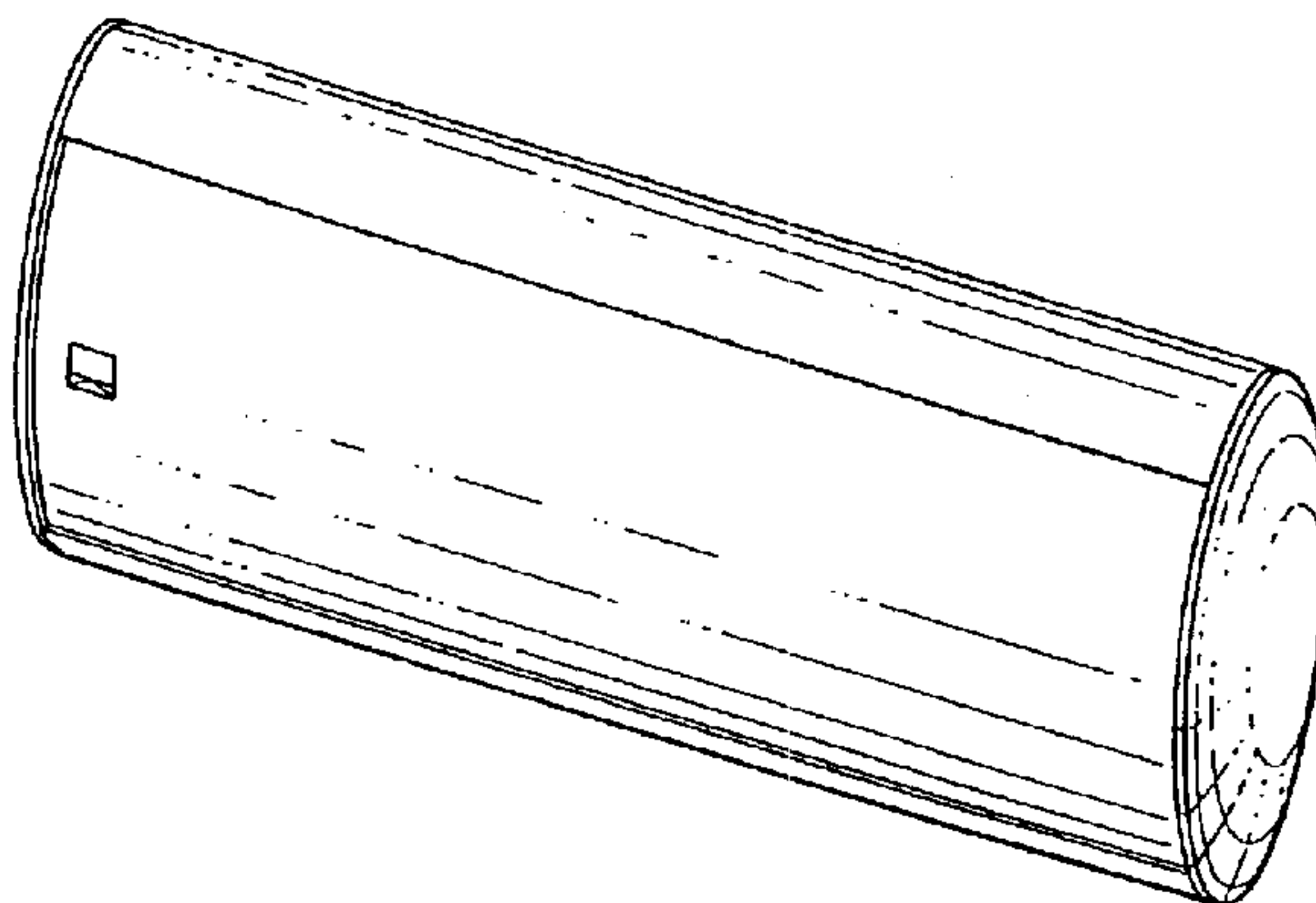
(57) **CLAIM**

I claim the ornamental design for a loudspeaker, substan-
tially as shown and described.

DESCRIPTION

FIG. 1 is a front view of the loudspeaker of the preferred
embodiment of the present invention; and
FIG. 2 is a rear view of the loudspeaker of the preferred
embodiment of the present invention;
FIG. 3 is a left side view of the loudspeaker of the preferred
embodiment of the present invention;
FIG. 4 is a right view of the loudspeaker of the preferred
embodiment of the present invention;
FIG. 5 is a top view of the loudspeaker of the preferred
embodiment of the present invention; and,
FIG. 6 is a front perspective view of the loudspeaker of the
preferred embodiment of the present invention.

1 Claim, 2 Drawing Sheets



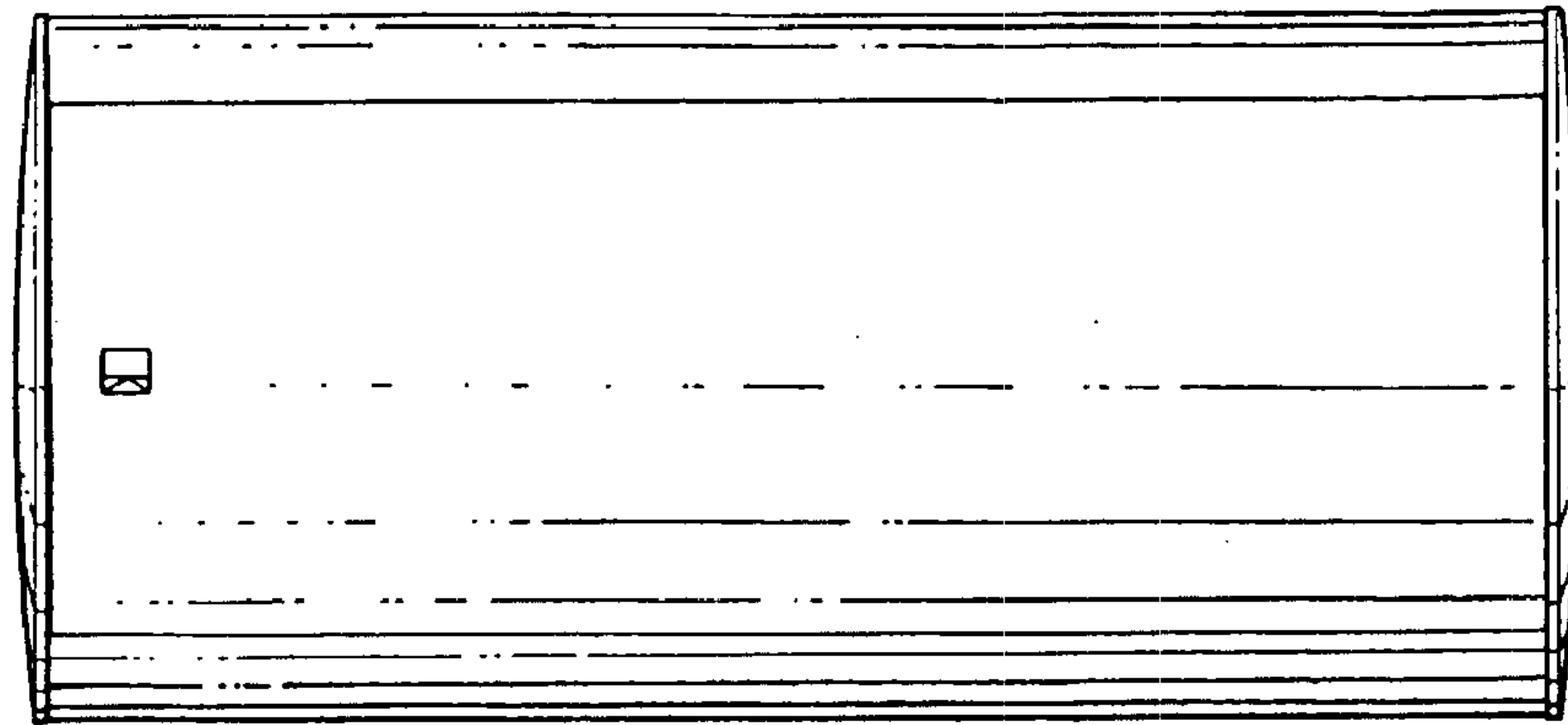


FIG. 1

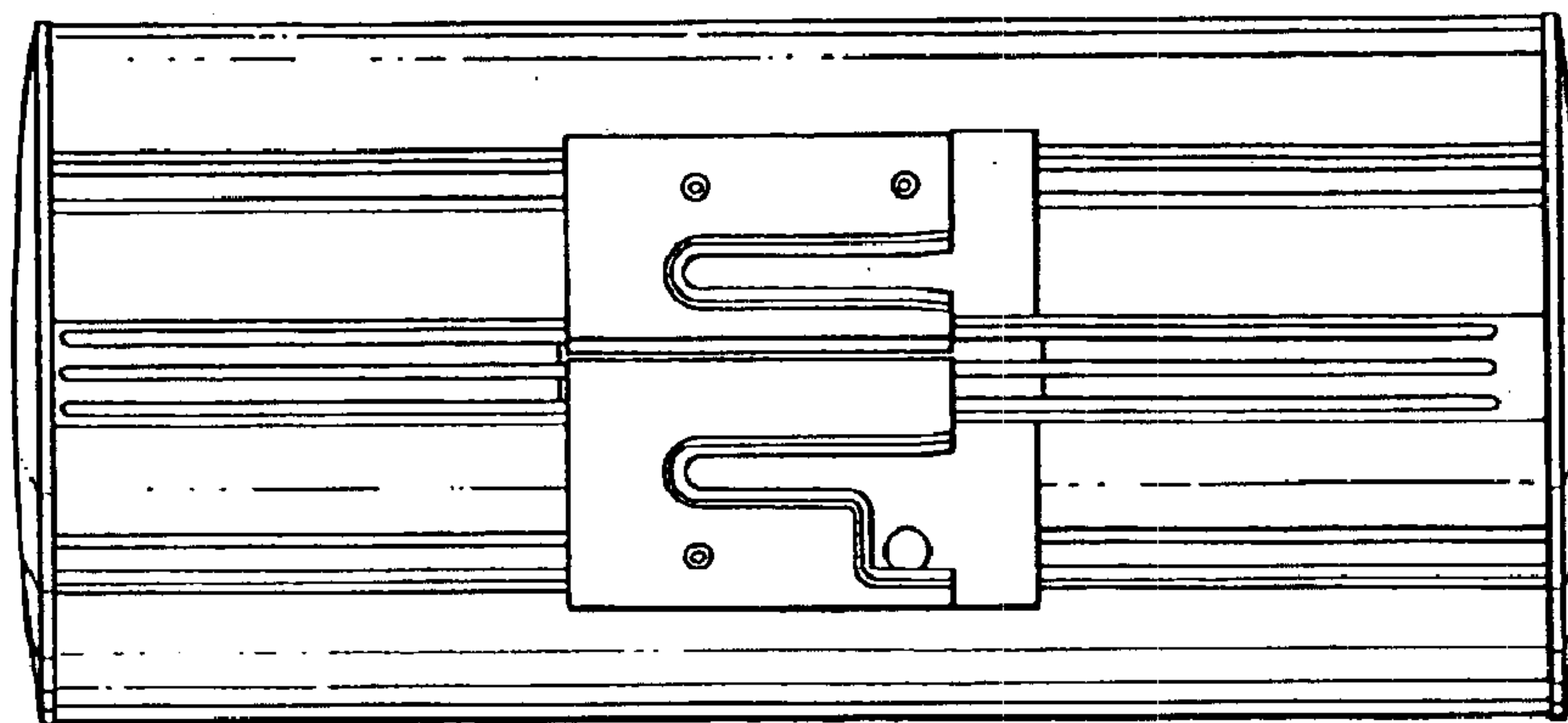


FIG. 2

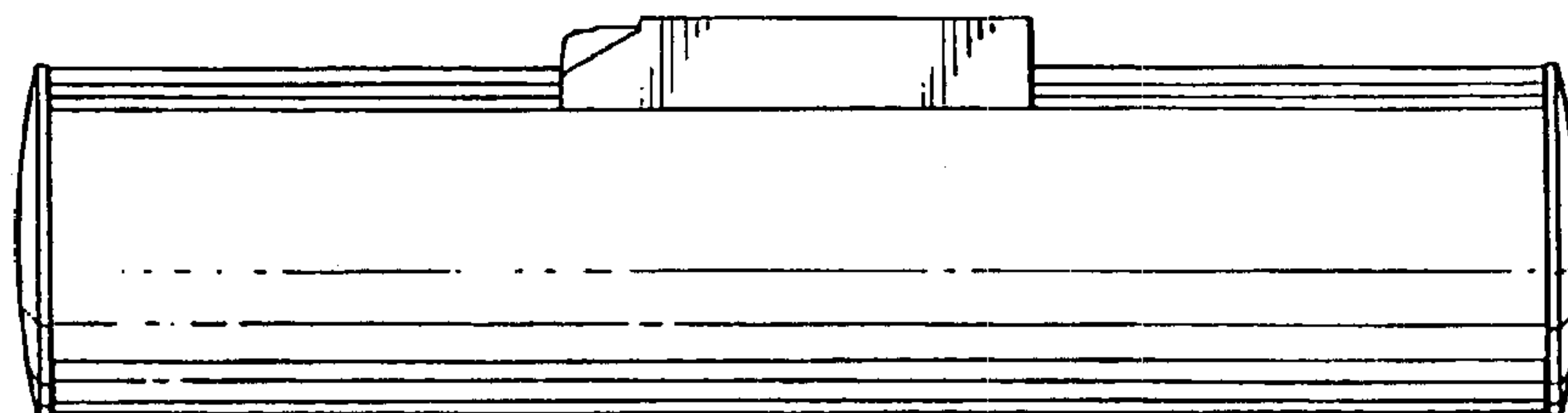


FIG. 3

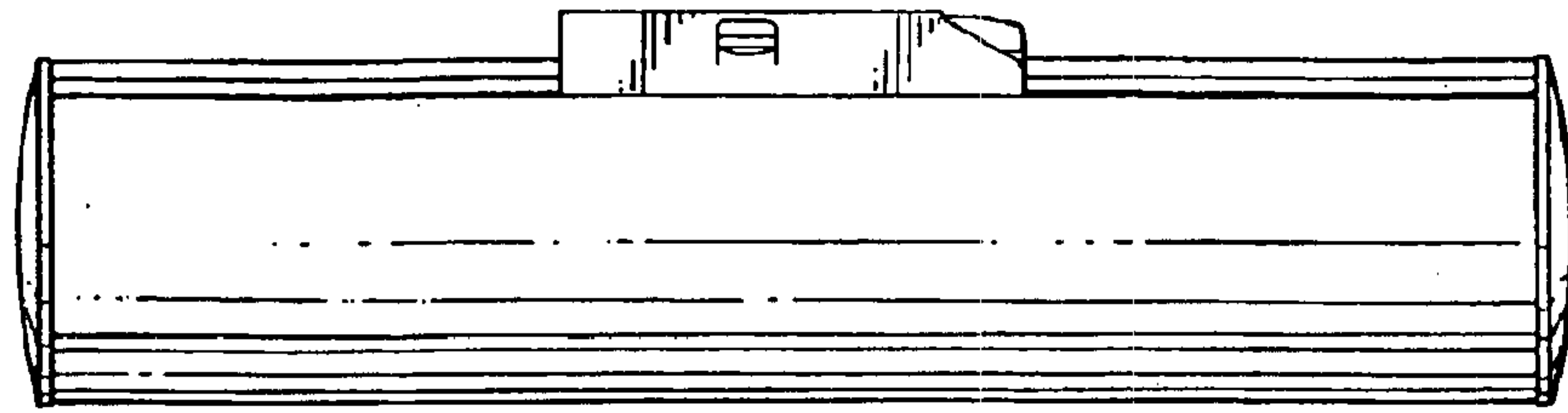


FIG. 4

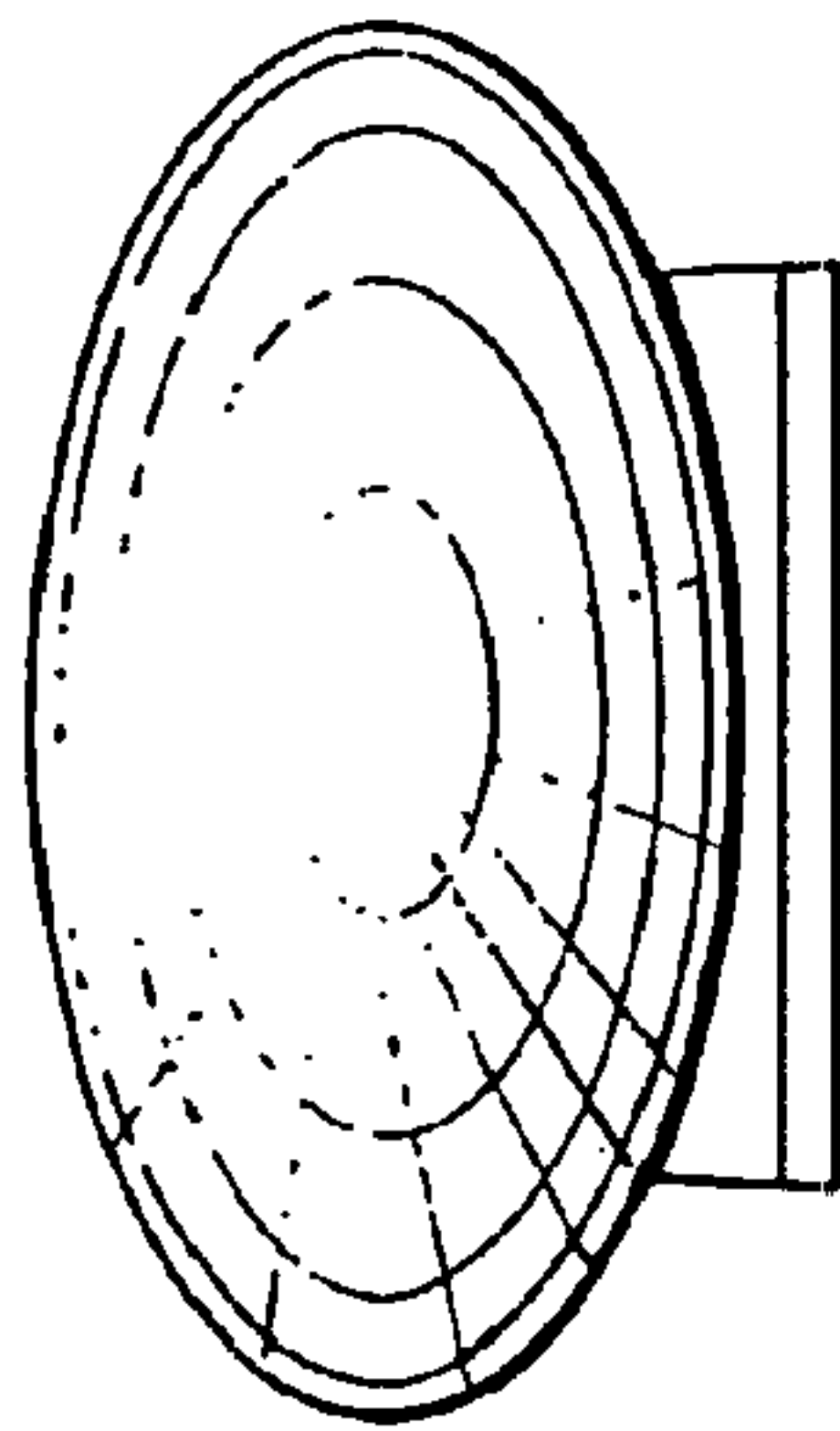


FIG. 5

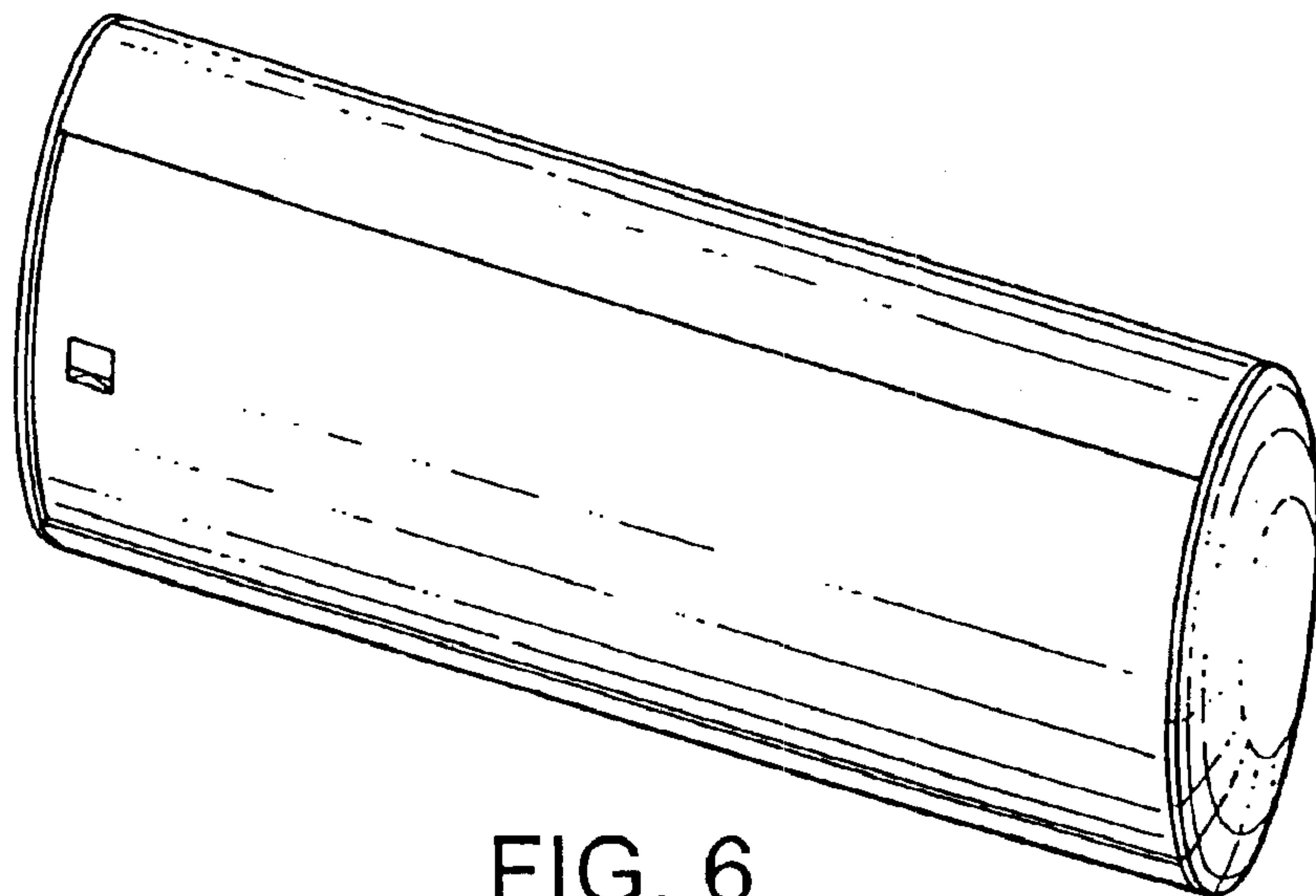


FIG. 6