

US00D501842S

(12) **United States Design Patent**
Hussaini et al.

(10) **Patent No.: US D501,842 S**

(45) **Date of Patent: ** Feb. 15, 2005**

(54) **AUDIO AND VIDEO ACCESSORY FOR AN ELECTRONIC DEVICE**

D430,553 S * 9/2000 Kokkinis D14/168
D456,400 S * 4/2002 Kim D14/337

(75) Inventors: **Saied Hussaini**, Miami, FL (US); **Marc Iacovelli**, Miami, FL (US)

* cited by examiner

Primary Examiner—Nanda Bondade

(73) Assignee: **Intec, Inc.**, Miami, FL (US)

(74) *Attorney, Agent, or Firm*—Liniak, Berenato & White

(**) Term: **14 Years**

(57) **CLAIM**

(21) Appl. No.: **29/172,838**

The ornamental design for an audio and video accessory for an electronic device, as shown and described.

(22) Filed: **Dec. 19, 2002**

DESCRIPTION

(51) **LOC (7) Cl.** **14-01**

(52) **U.S. Cl.** **D14/172**

(58) **Field of Search** D12/415–418,
D12/345; D14/125–136, 239, 315, 327,
371, 374–375, 451, 167–168, 214, 211,
337, 172, 171, 217; 296/37.1, 37.7–37.8,
70; 312/7.2; 340/461, 905, 995; 348/148,
825, 827, 836–838, 840

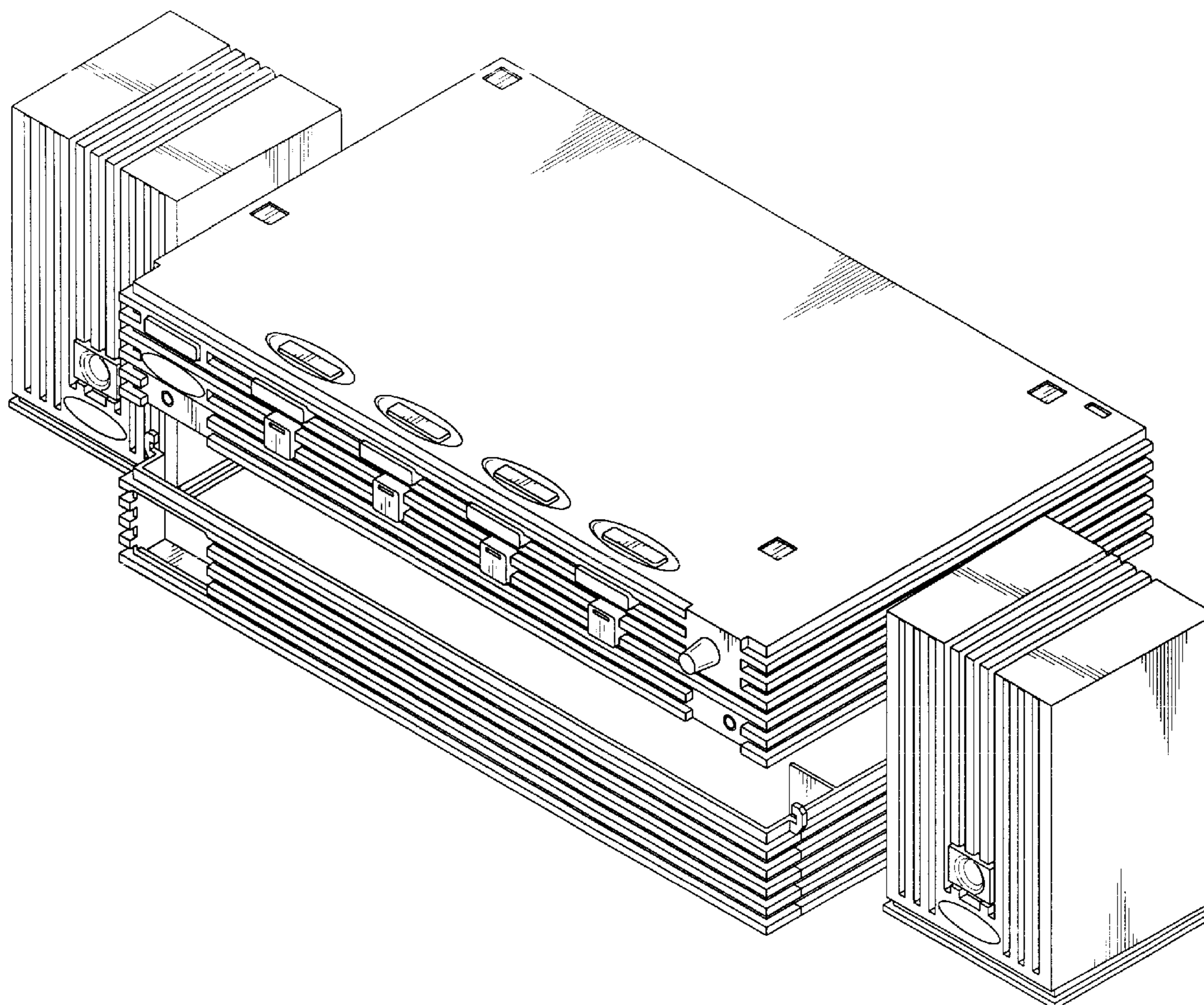
FIG. 1 is front view of the audio and video accessory for an electronic device according to the present invention;
FIG. 2 is a rear view thereof;
FIG. 3 is a front view thereof, with the speakers shown in an elevated position;
FIG. 4 is a top view thereof;
FIG. 5 is a bottom view thereof;
FIG. 6 is a left side view thereof;
FIG. 7 is a right side view thereof; and,
FIG. 8 is a front right perspective view thereof.
The broken line showing on FIGS. 1–7 is for illustrative purposes only and forms no part of the claimed design.

(56) **References Cited**

U.S. PATENT DOCUMENTS

D290,357 S * 6/1987 Schouten D14/171
D331,238 S * 11/1992 Lewis D14/168

1 Claim, 7 Drawing Sheets



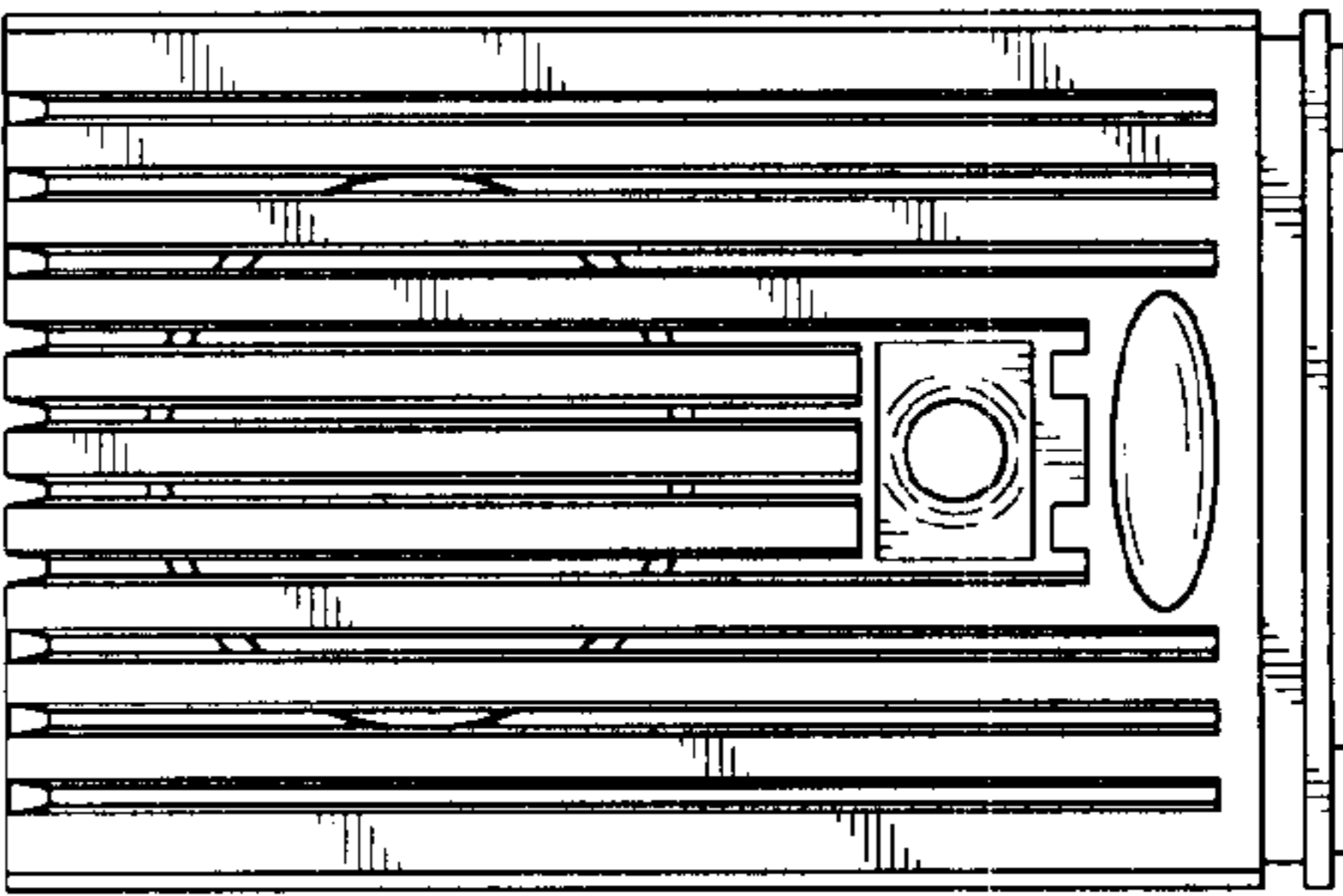
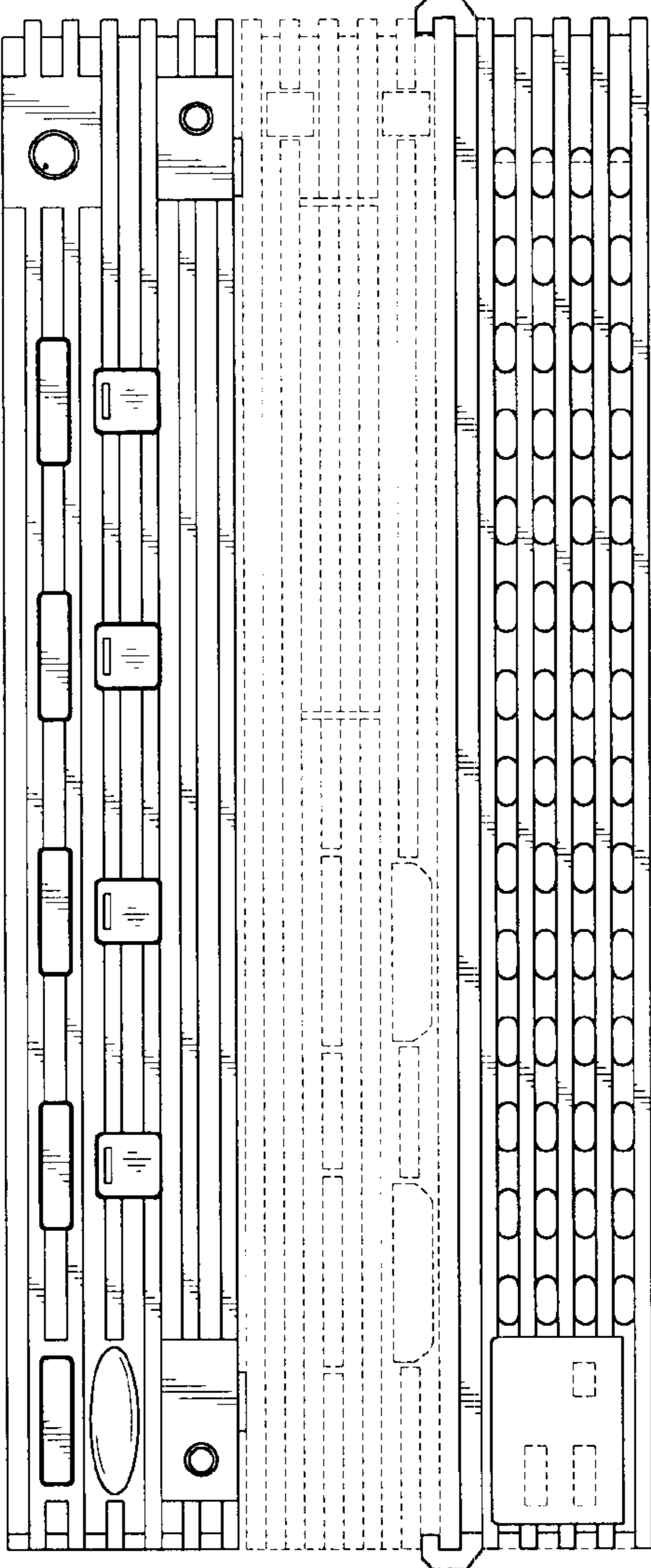
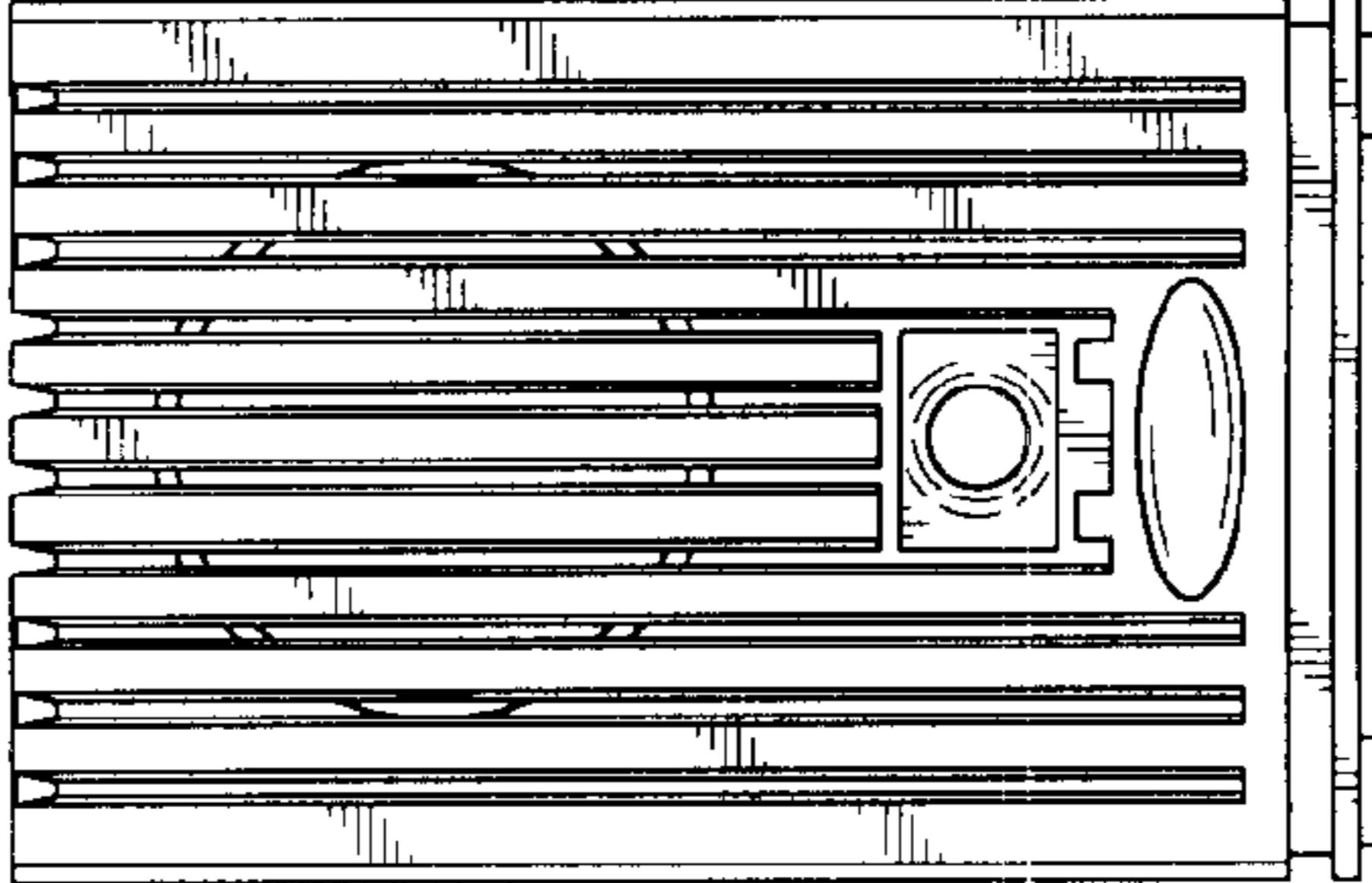
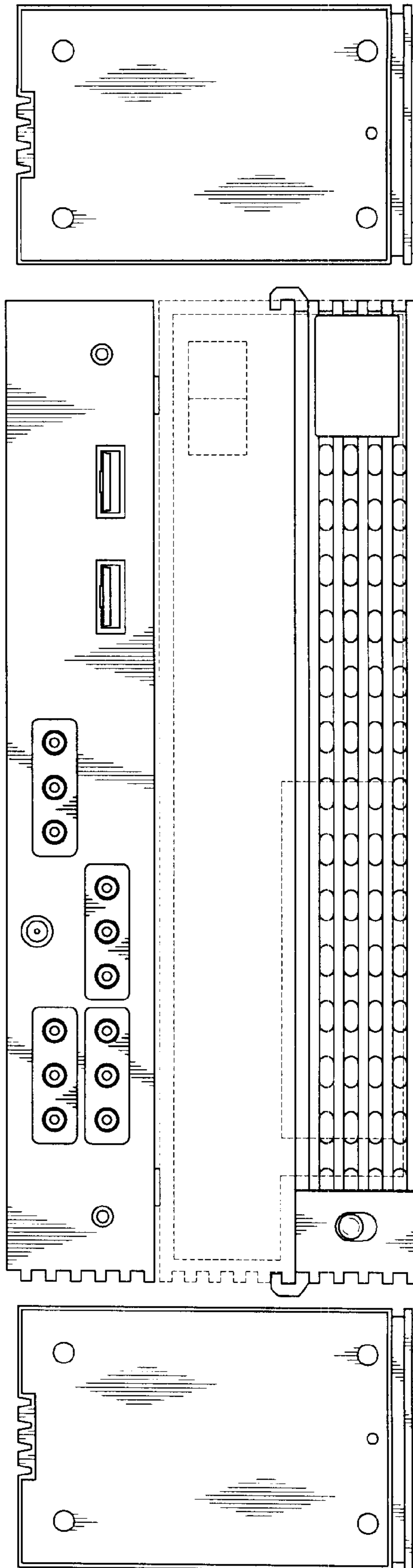


Fig. 1

Fig. 2



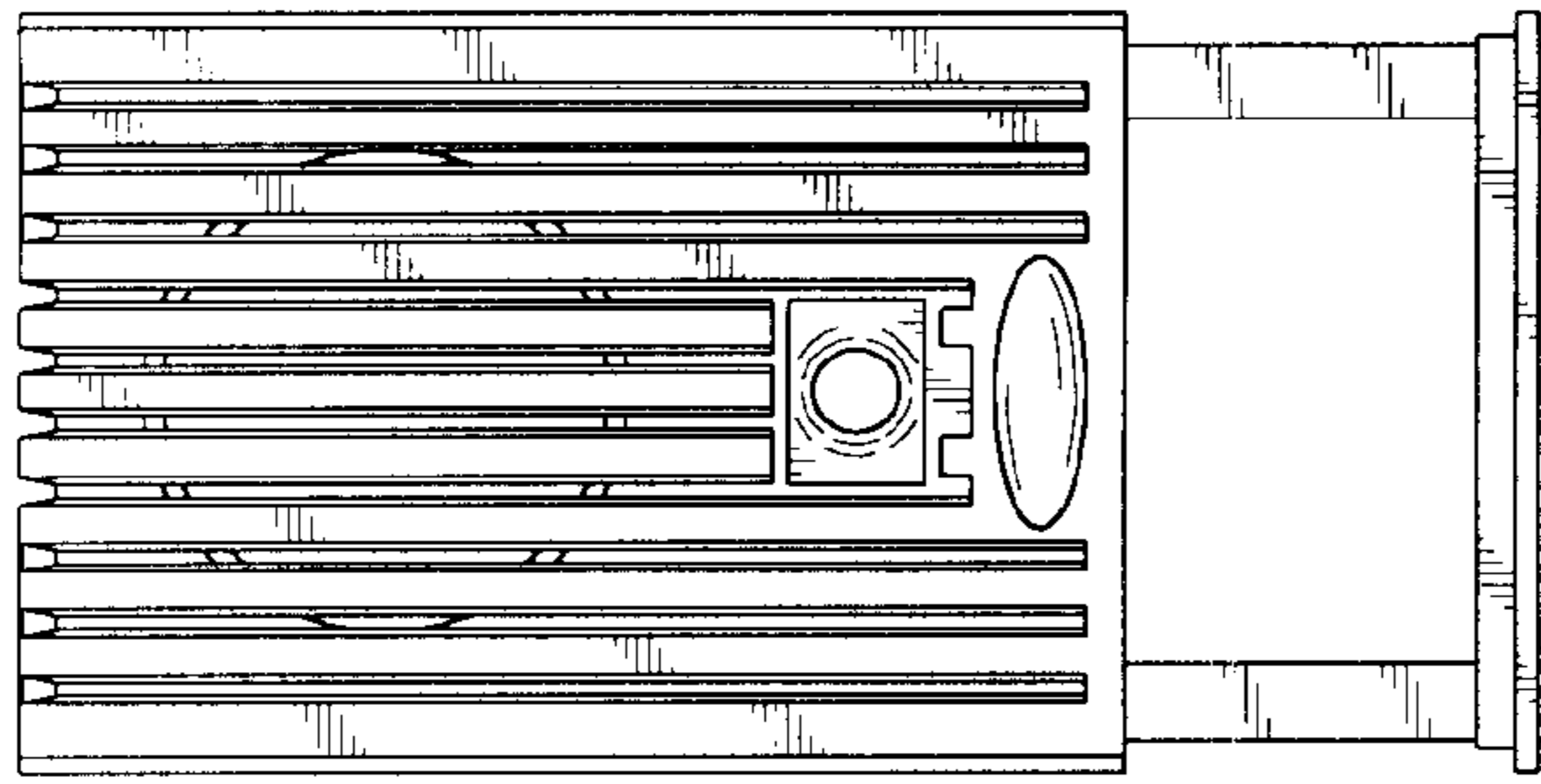


Fig. 3

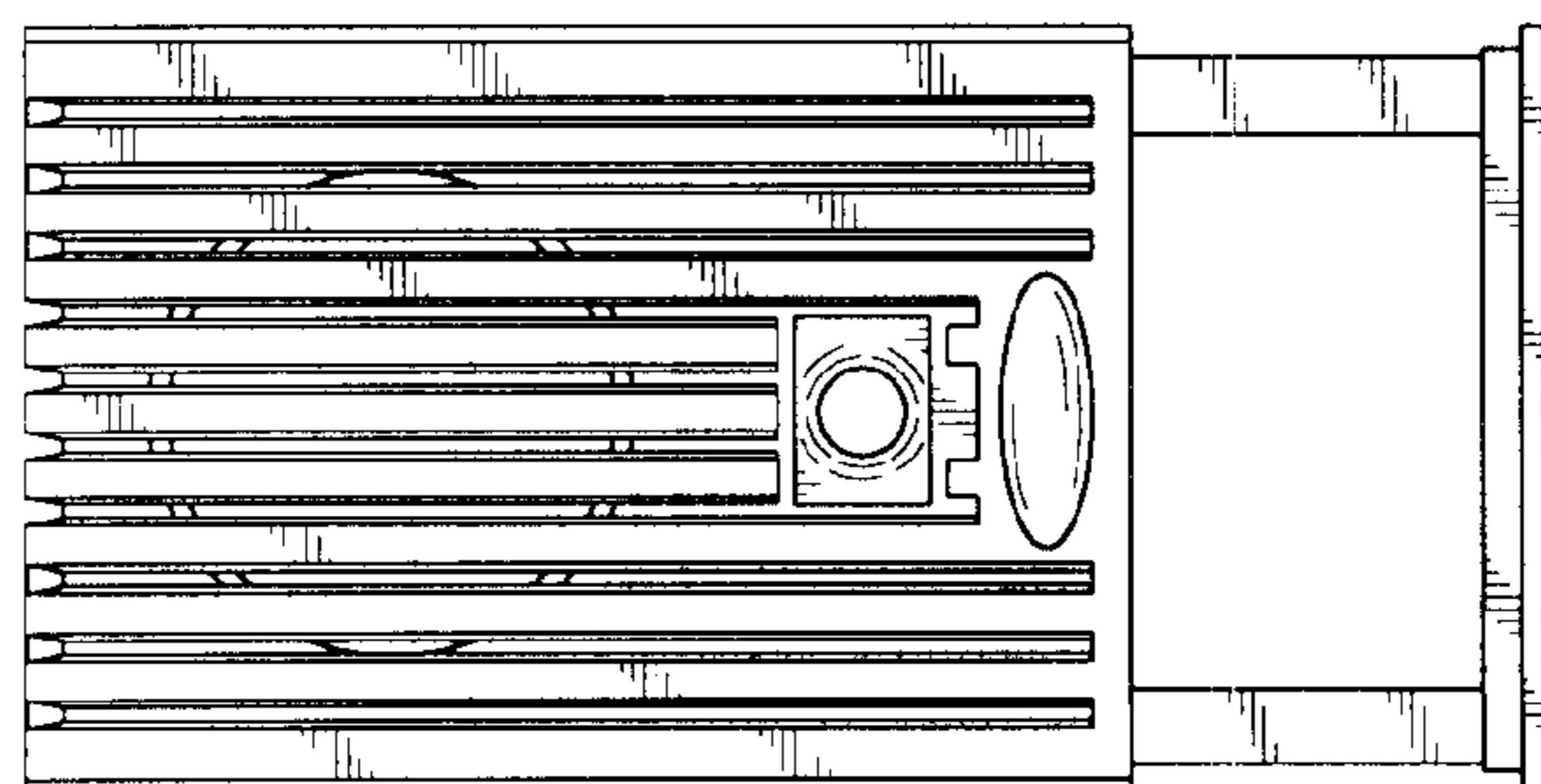
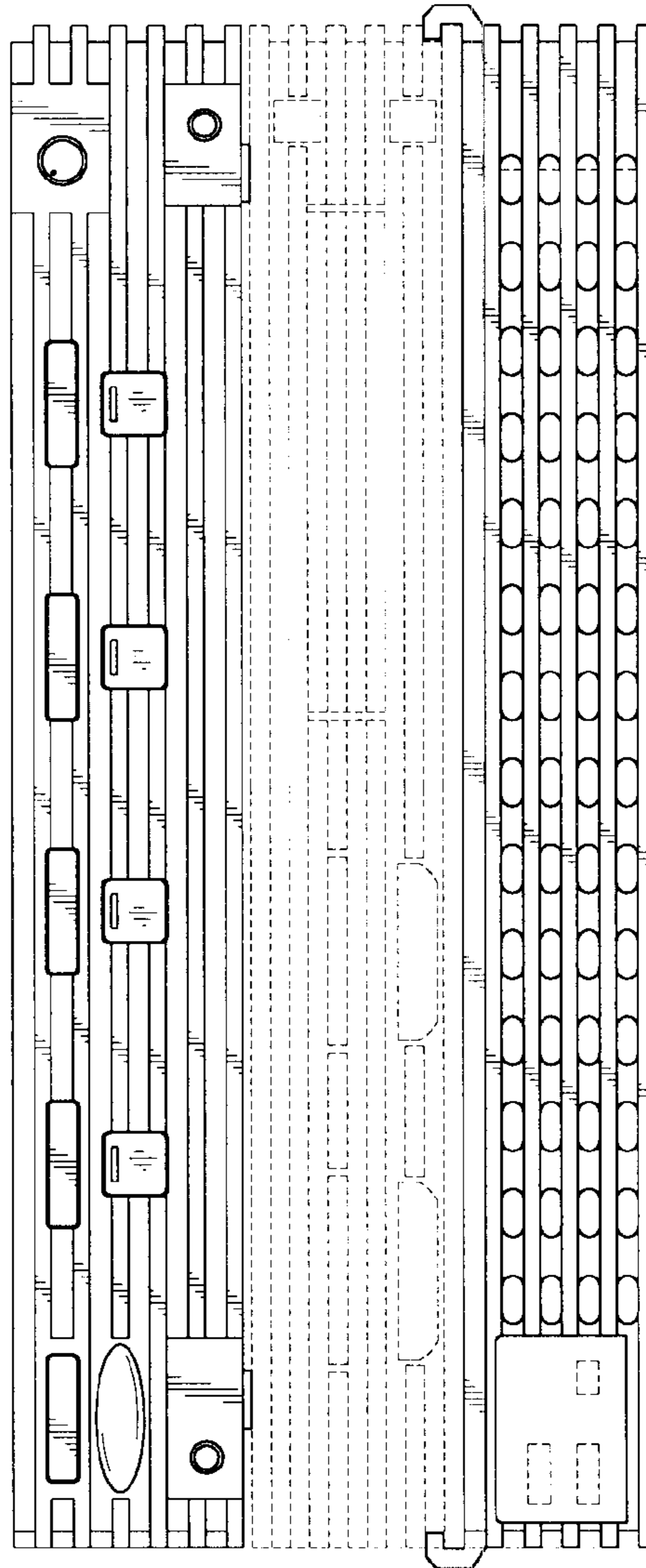


Fig. 4

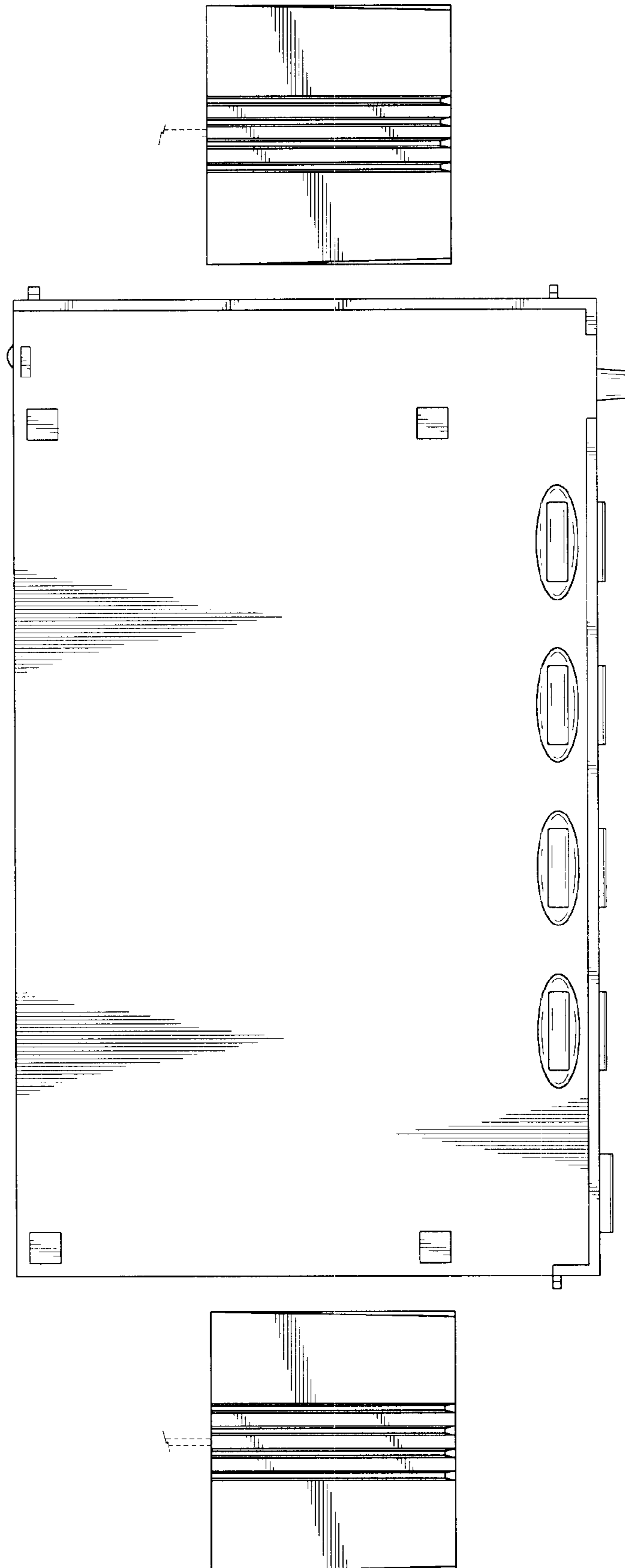


Fig. 5

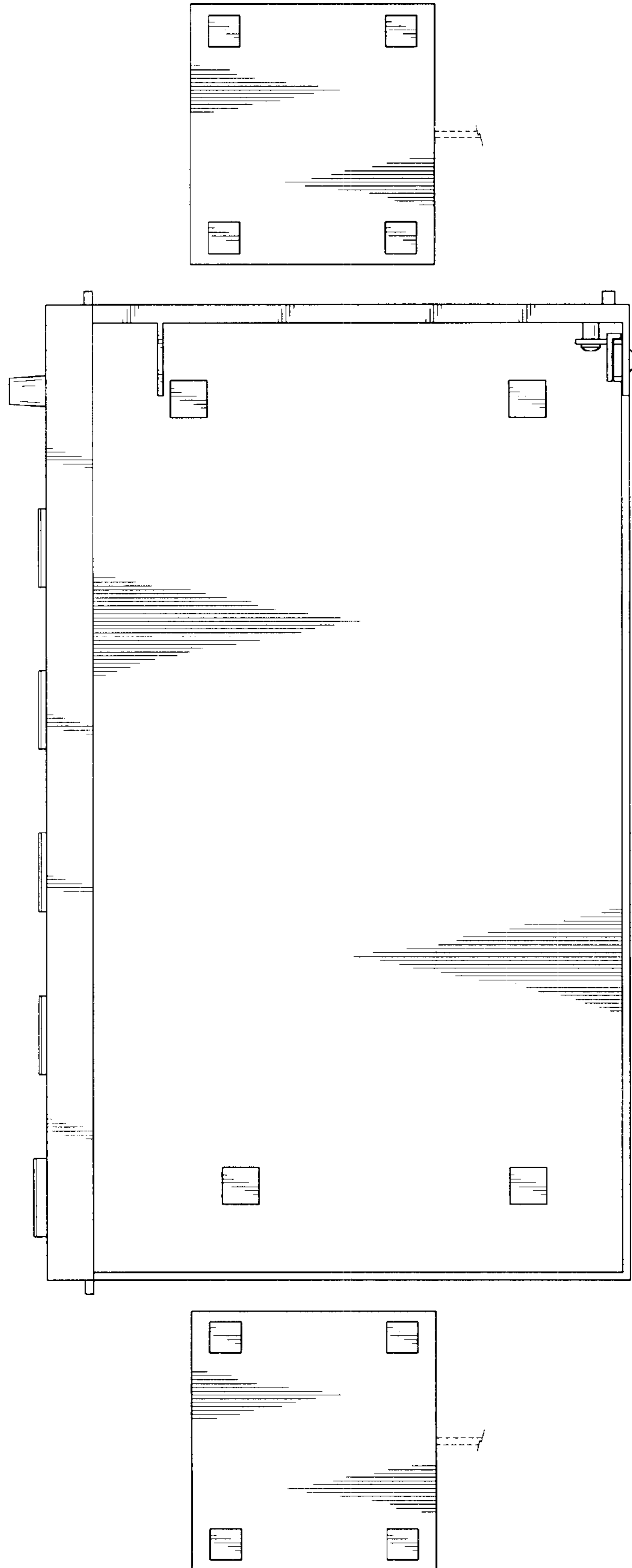


Fig. 7

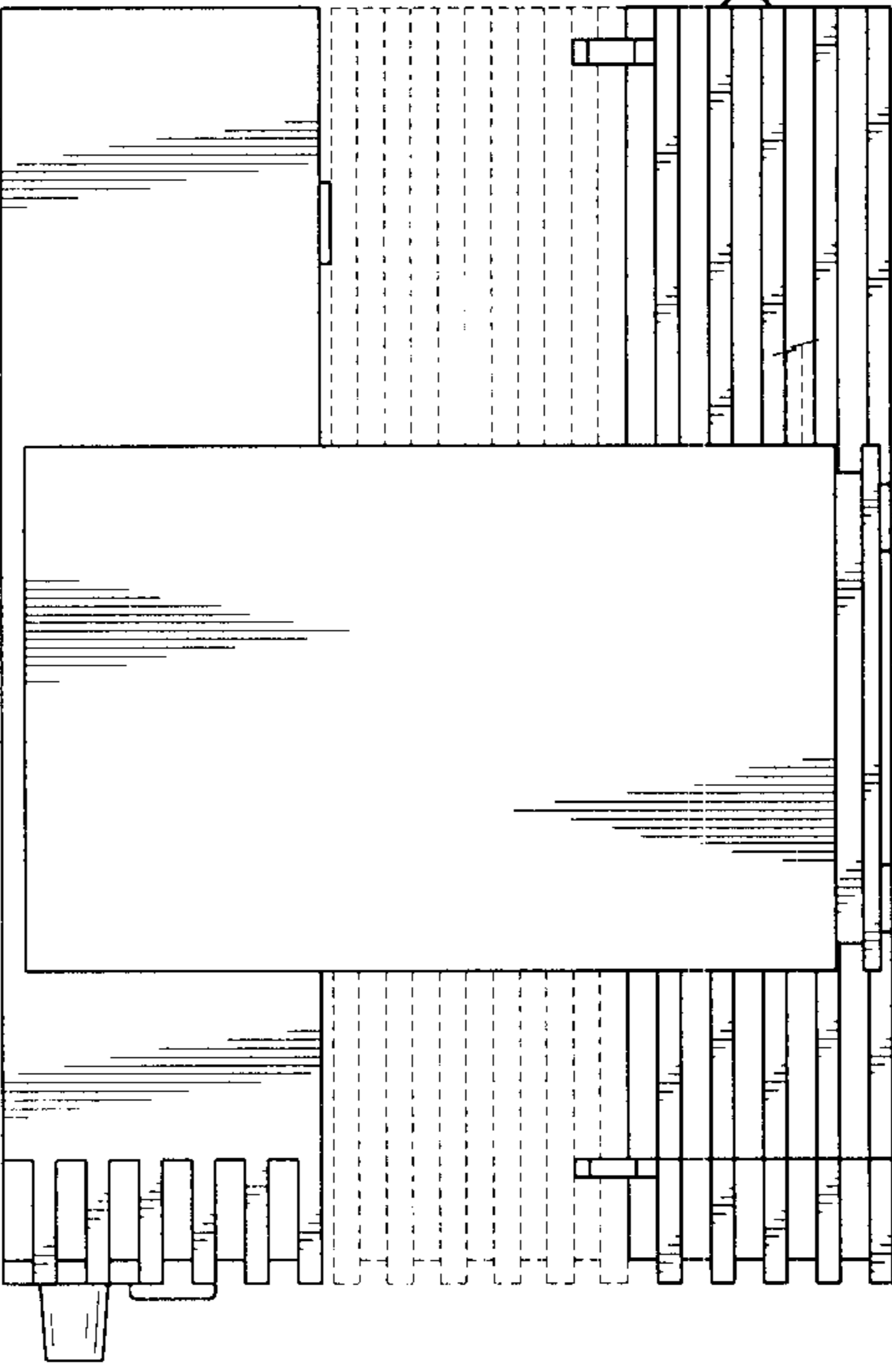
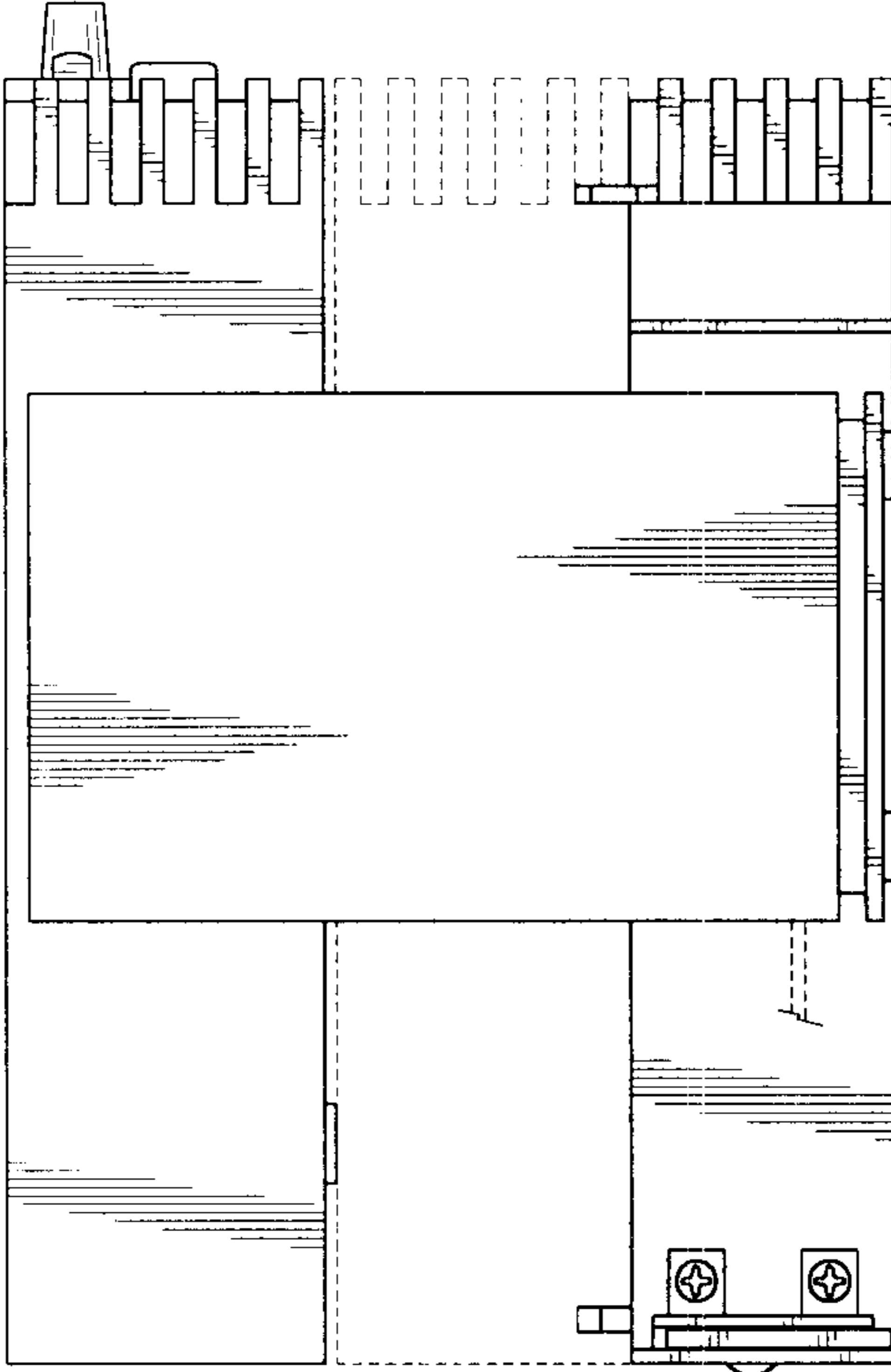


Fig. 6



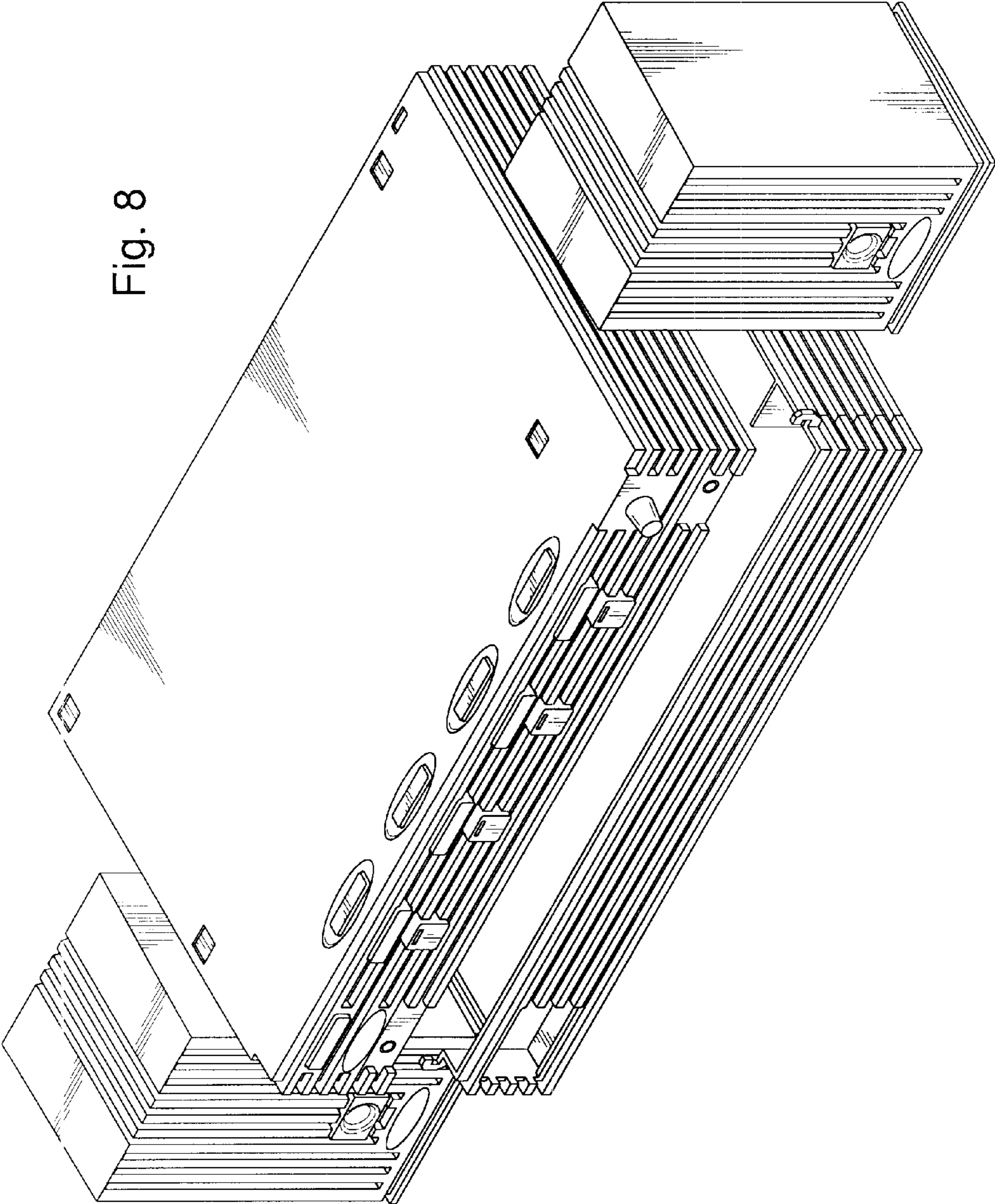


Fig. 8