

US00D501838S

(12) **United States Design Patent** (10) **Patent No.:** **US D501,838 S**  
**Kim et al.** (45) **Date of Patent:** **\*\* Feb. 15, 2005**

(54) **PORTABLE TELEPHONE**

(75) Inventors: **Nam-Mi Kim**, Seoul (KR);  
**Chang-Hwan Hwang**, Seoul (KR);  
**Sung-Hoon Hong**, Seoul (KR)

(73) Assignee: **Samsung Electronics Co., Ltd.**,  
Kyunggi-do (KR)

(\*\*) Term: **14 Years**

(21) Appl. No.: **29/204,876**

(22) Filed: **May 5, 2004**

(51) **LOC (7) Cl.** ..... **14-03**

(52) **U.S. Cl.** ..... **D14/138**

(58) **Field of Search** ..... D14/137, 138,  
D14/218, 147-148, 247-248, 144, 341-347;  
379/433.01-433.13, 419, 434, 428.01-428.04,  
420.01-420.04, 440; 455/550.1-90.3; D21/517;  
D13/168; 345/168, 169

(56) **References Cited**

**U.S. PATENT DOCUMENTS**

D438,184 S	*	2/2001	Suzuki et al.	.....	D14/138
6,396,924 B1	*	5/2002	Suso et al.	.....	379/433.13
D476,968 S	*	7/2003	Yokoyama	.....	D14/138
D484,478 S	*	12/2003	Kota et al.	.....	D14/138
D486,461 S	*	2/2004	Seo et al.	.....	D14/138
D487,443 S	*	3/2004	Yoon	.....	D14/138
D487,444 S	*	3/2004	Yoon	.....	D14/138
D490,389 S	*	5/2004	Yang	.....	D14/138
D493,439 S	*	7/2004	Hong et al.	.....	D14/138
D495,672 S	*	9/2004	Jeon et al.	.....	D14/138
D495,674 S	*	9/2004	Yoo et al.	.....	D14/138

D496,020 S	*	9/2004	Lee	.....	D14/138
D496,021 S	*	9/2004	Jang	.....	D14/138
2002/0187818 A1	*	12/2002	Kang	.....	455/575
2003/0013417 A1	*	1/2003	Bum	.....	455/90
2003/0078077 A1	*	4/2003	Kokubo	.....	455/566
2003/0144036 A1	*	7/2003	Ito	.....	455/566
2003/0153283 A1	*	8/2003	Kuwazoe	.....	455/90
2003/0203747 A1	*	10/2003	Nagamine	.....	455/575.3
2003/0223576 A1	*	12/2003	Totani	.....	379/433.04
2004/0097258 A1	*	5/2004	Lee et al.	.....	455/550.1
2004/0137940 A1	*	7/2004	Matsunami	.....	455/550.1
2004/0162036 A1	*	8/2004	Park	.....	455/90.3

\* cited by examiner

*Primary Examiner*—Jeffrey Asch

(74) *Attorney, Agent, or Firm*—Flynn, Thiel, Boutell & Tanis, P.C.

(57) **CLAIM**

The ornamental design for a portable telephone, as shown and described.

**DESCRIPTION**

FIG. 1. is a bottom front perspective view of a portable telephone showing our new design.

FIG. 2. is a front elevational view thereof.

FIG. 3. is a rear elevational view thereof.

FIG. 4. is a left side elevational view thereof.

FIG. 5. is a right side elevational view thereof.

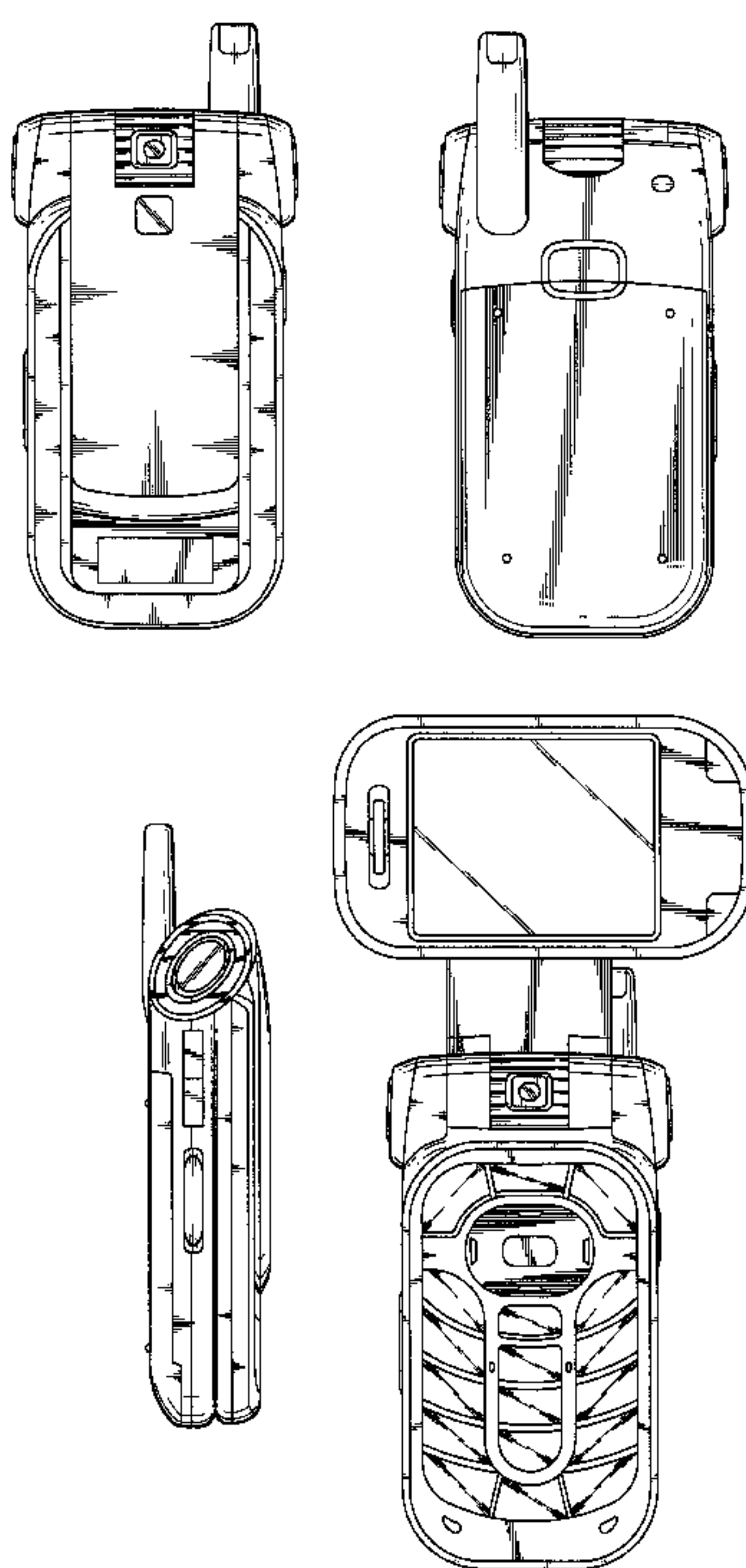
FIG. 6. is a top plan view thereof.

FIG. 7. is a bottom plan view thereof.

FIG. 8. is a front elevational view of using state thereof; and,

FIG. 9. is a front elevational view of the another using state thereof.

**1 Claim, 6 Drawing Sheets**



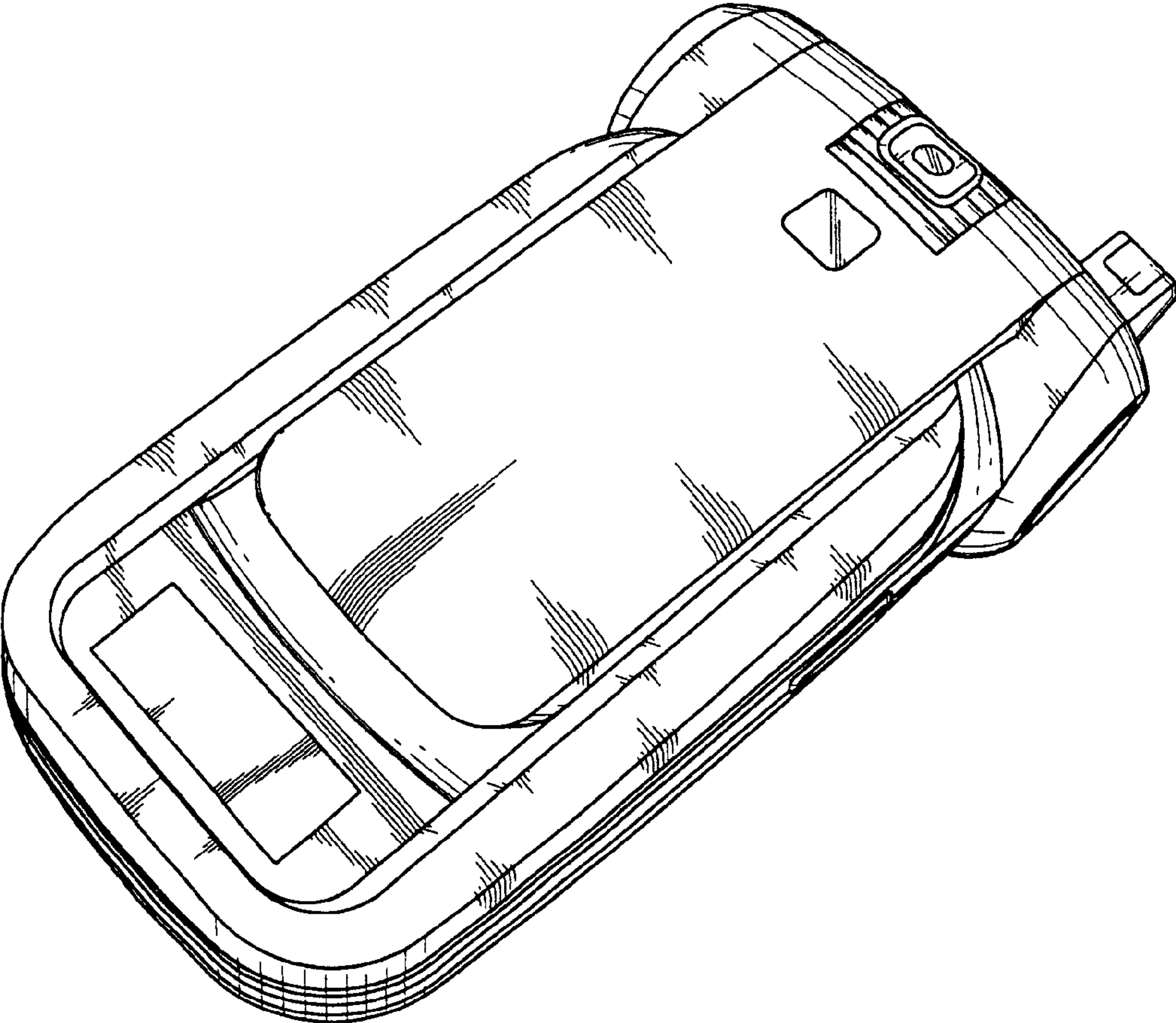


FIG. 1

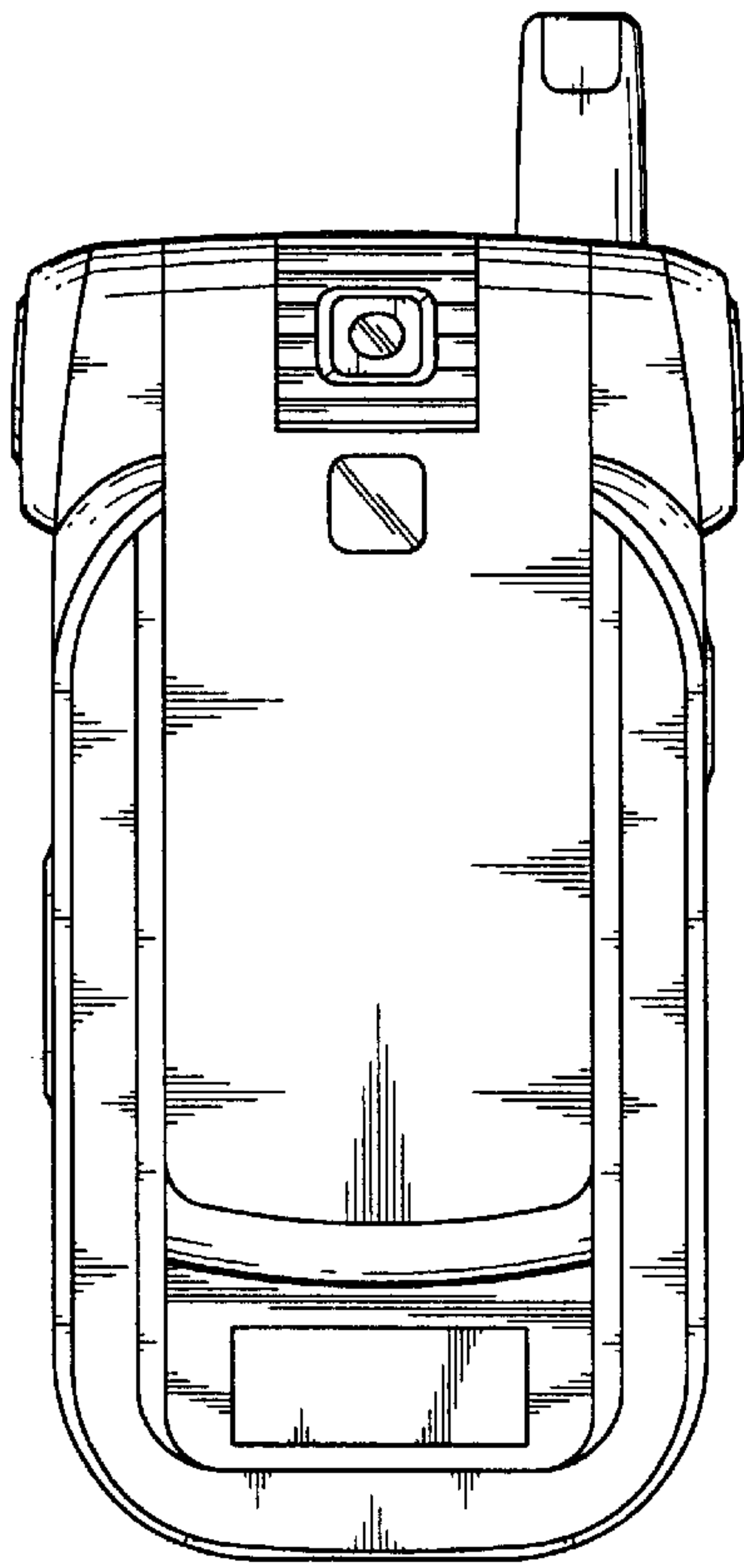


FIG. 2

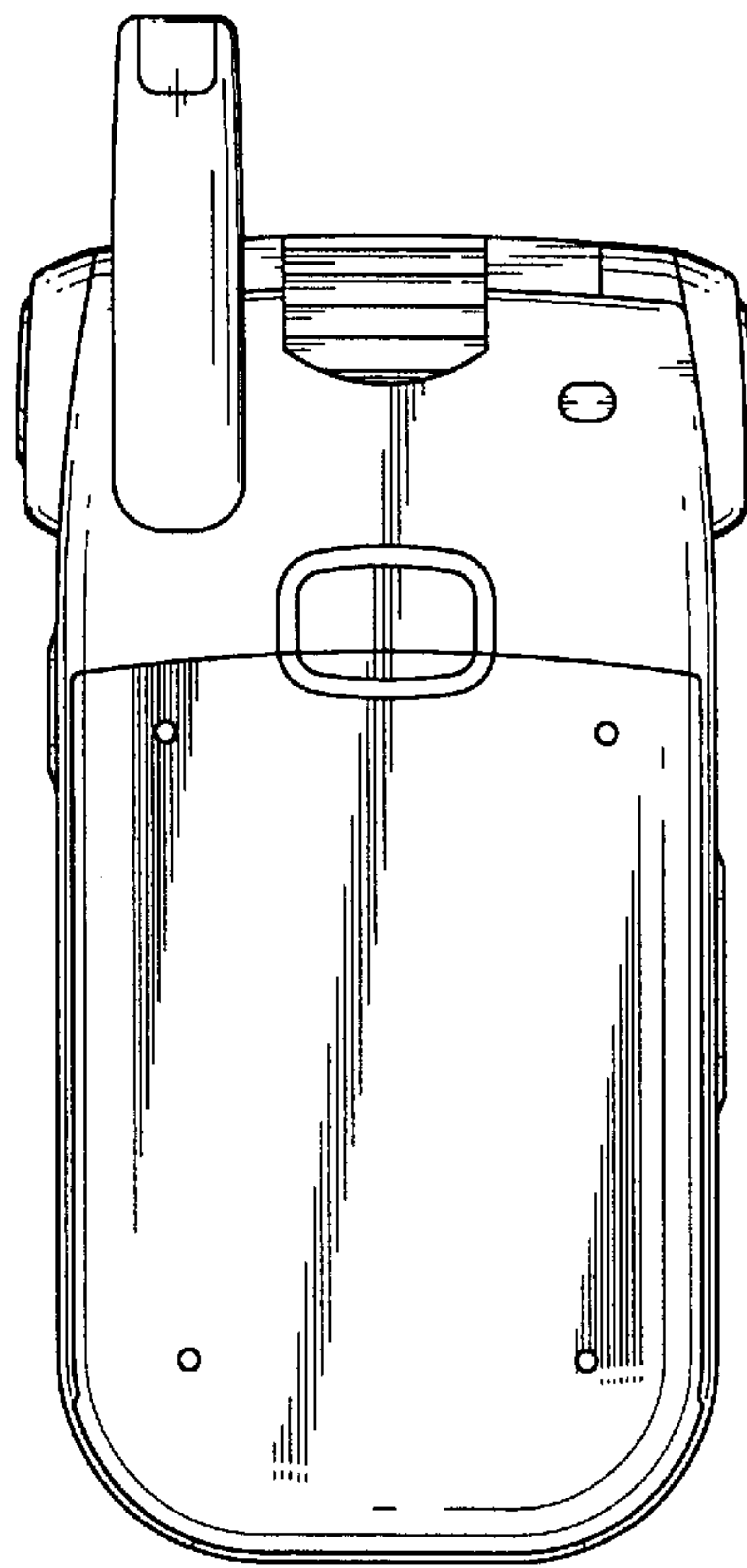


FIG. 3

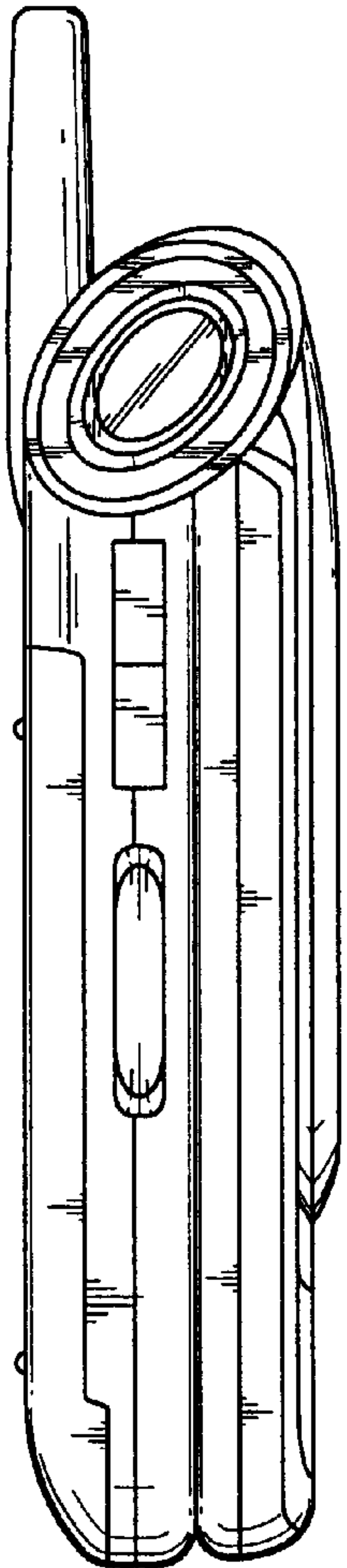


FIG. 4

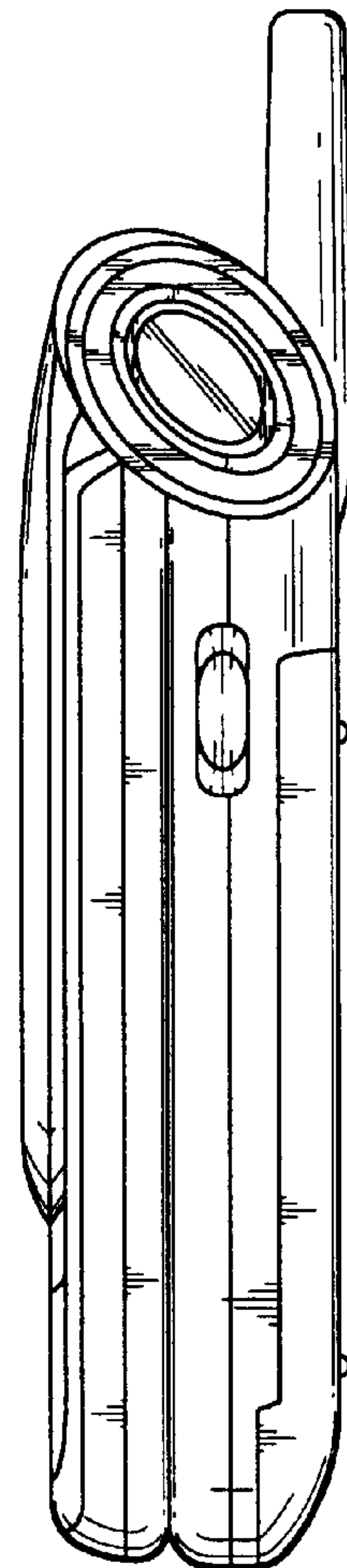


FIG. 5

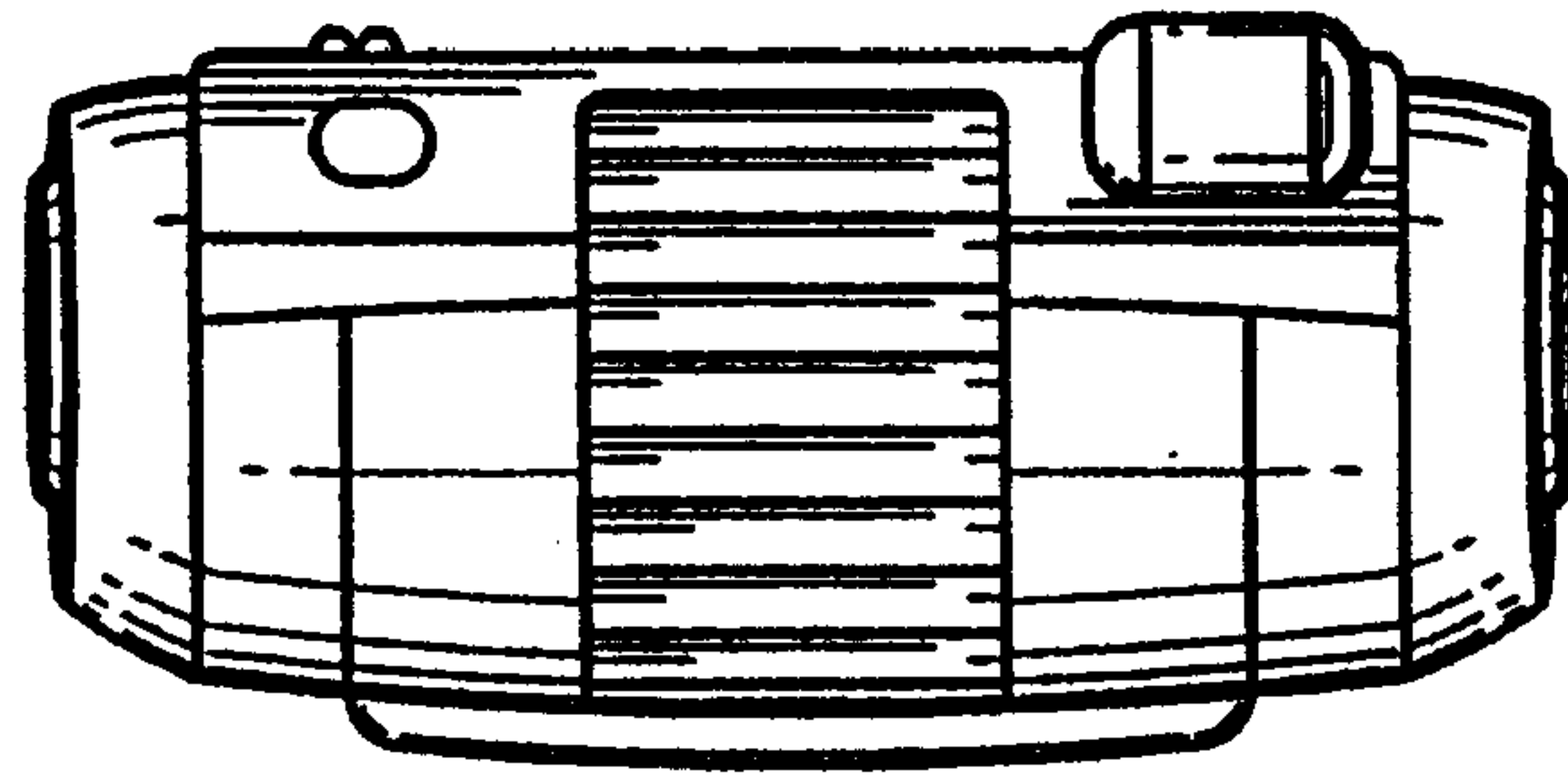


FIG. 6

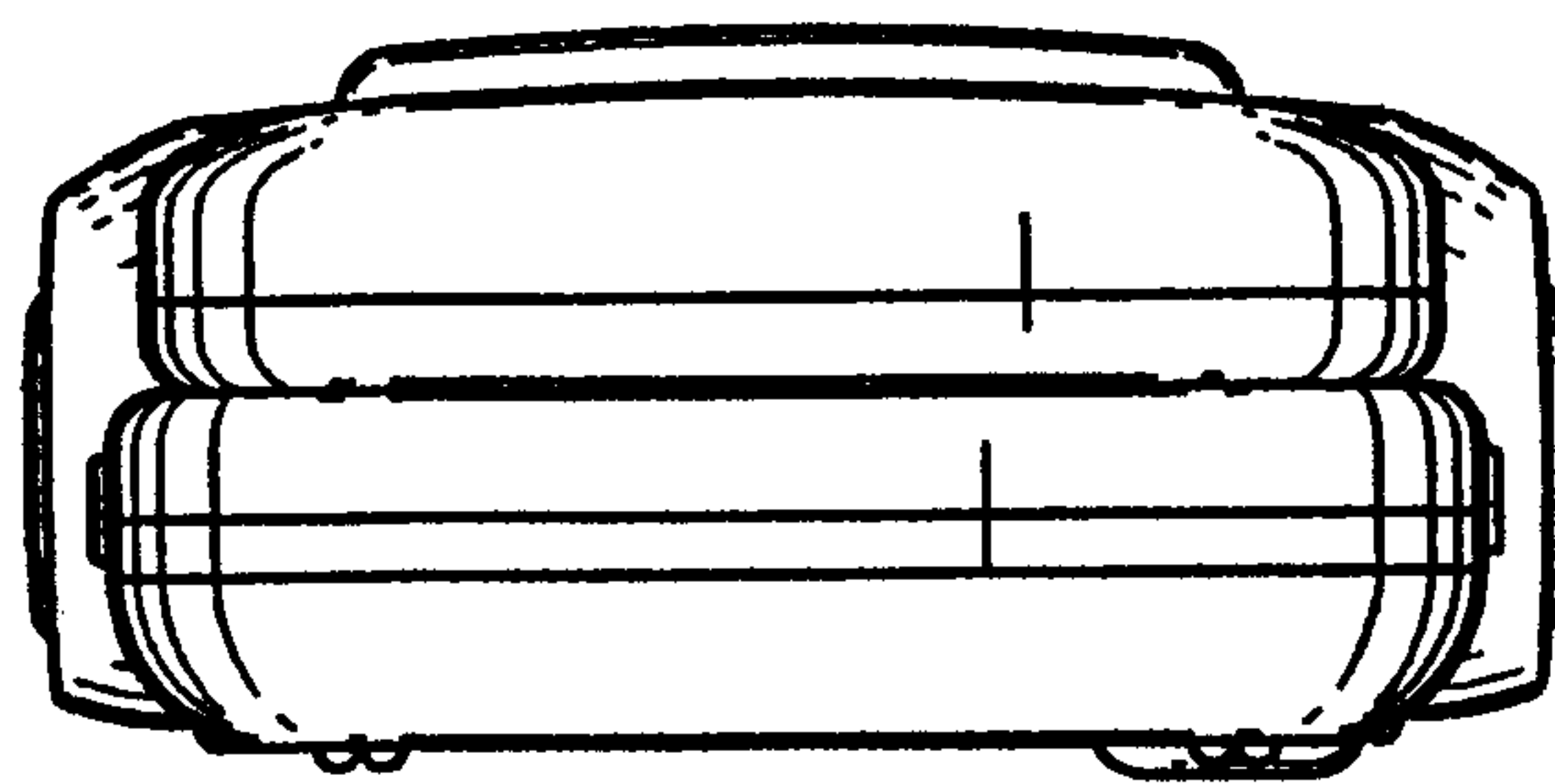


FIG. 7



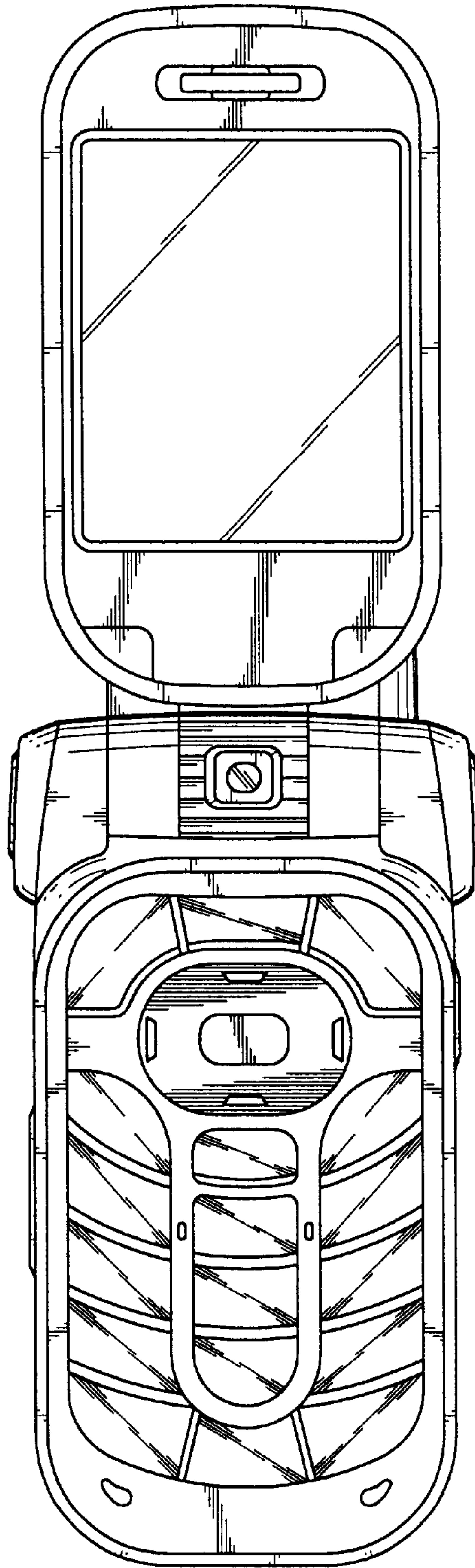


FIG. 8

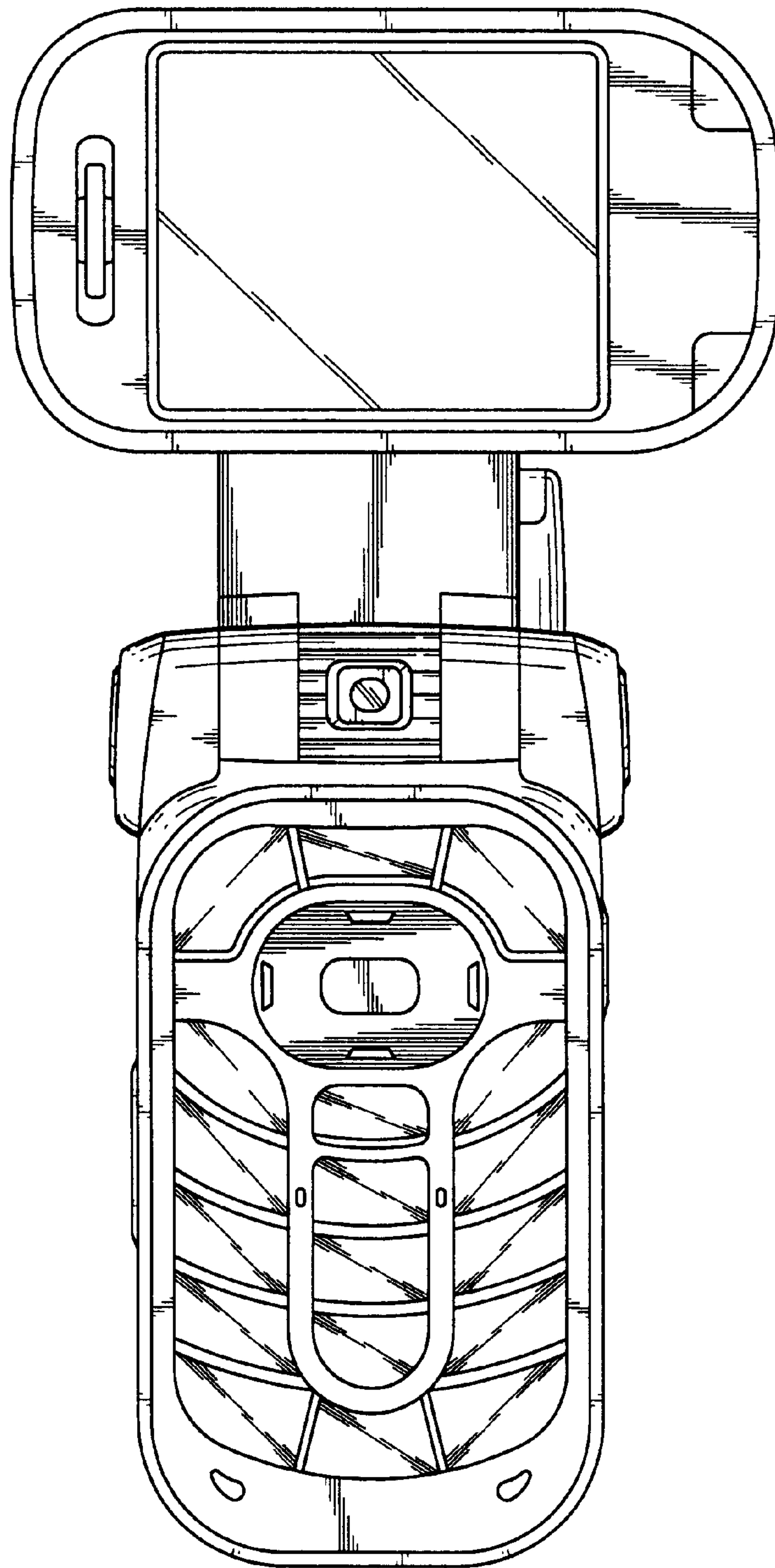


FIG. 9