



US00D501833S

(12) **United States Design Patent**
Peng

(10) **Patent No.:** **US D501,833 S**

(45) **Date of Patent:** **** Feb. 15, 2005**

(54) **DVD PLAYER WITH DISPLAY**

(75) **Inventor:** **Juen-Tien Peng, Chung Li (TW)**

(73) **Assignee:** **Action Electronics Co., Ltd., Chung Li (TW)**

(**) **Term:** **14 Years**

(21) **Appl. No.:** **29/199,499**

(22) **Filed:** **Feb. 18, 2004**

(51) **LOC (7) Cl. 14-03**

(52) **U.S. Cl. D14/129**

(58) **Field of Search** D14/125-134,
D14/239, 371, 374-376; 312/7.2; 348/836,
838, 180, 184, 325, 739; 341/12; 248/917-924,
465; 345/104, 133, 156, 168, 87, 173; 720/605,
669, 600, 655; 369/99, 197; 455/344-347

(56) **References Cited**

U.S. PATENT DOCUMENTS

5,265,083	A	*	11/1993	Ishii et al.	720/605
D409,184	S	*	5/1999	Sakamoto et al.	D14/129
D412,900	S	*	8/1999	Utsugi	D14/156
6,014,357	A	*	1/2000	Watanabe et al.	720/655
D443,256	S	*	6/2001	Yoshiyama	D14/129
D445,100	S	*	7/2001	Sawai	D14/136
D447,738	S	*	9/2001	Usami et al.	D14/129
D456,373	S	*	4/2002	Usami et al.	D14/129

D484,472	S	*	12/2003	Isshiki	D14/132
6,772,422	B2	*	8/2004	Yano et al.	720/600
6,792,292	B1	*	9/2004	Chatani	455/566
6,795,377	B2	*	9/2004	Gorden	368/12

OTHER PUBLICATIONS

Pioneer Catalog, May, 1999.*
Sound and Vision, Jan 2003.*
Hong Kong Electronics, May 2003 and rear cover.*

* cited by examiner

Primary Examiner—Raphael Barkai
(74) *Attorney, Agent, or Firm*—Rosenberg, Klein & Lee

(57) **CLAIM**

The ornamental design of a DVD player with display, as shown in the accompanying drawings.

DESCRIPTION

FIG. 1 is a perspective view of DVD player with display embodying my design.

FIG. 2 is a front elevational view thereof;

FIG. 3 is rear elevational view thereof.

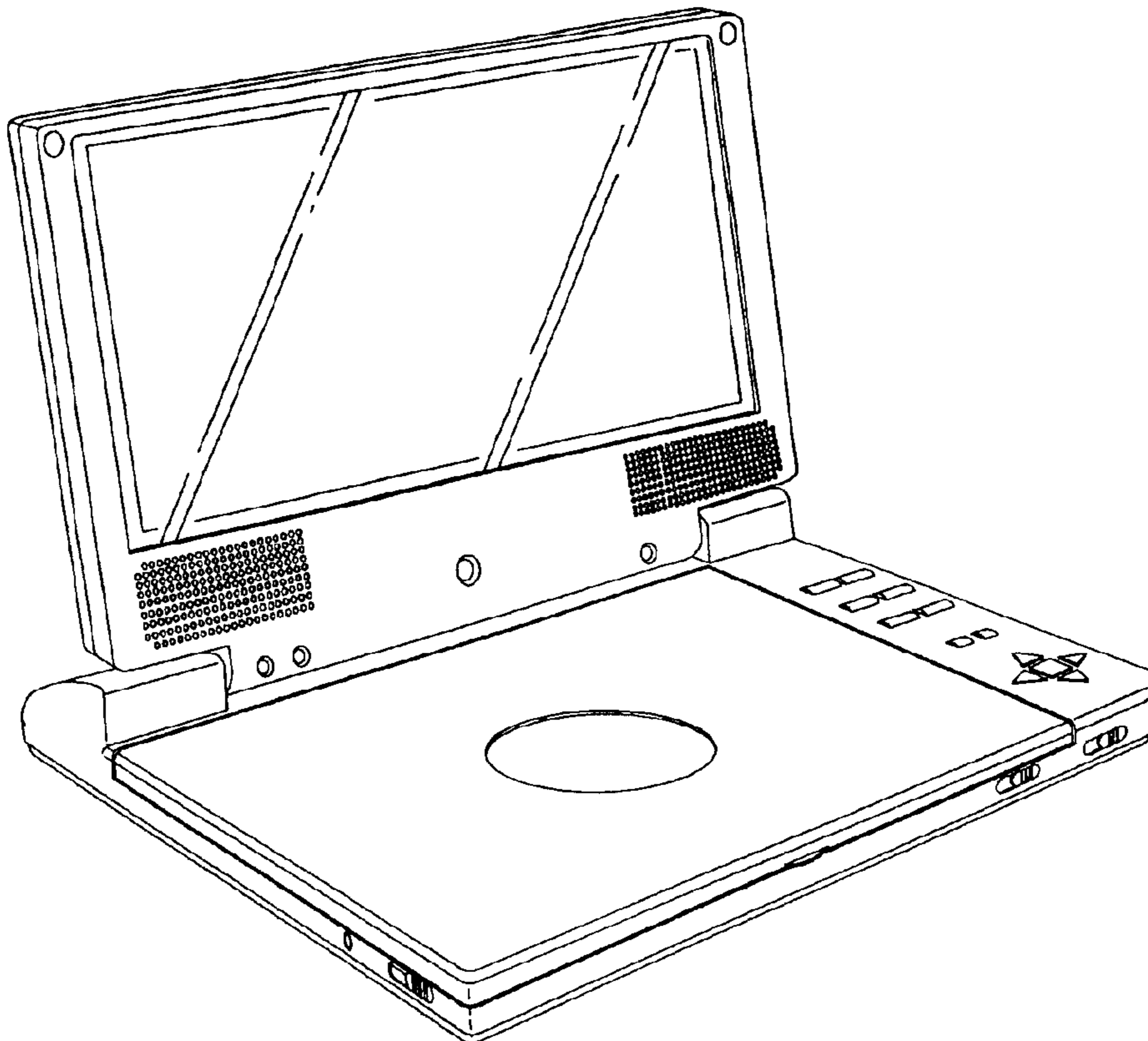
FIG. 4 is left elevational view thereof;

FIG. 5 is a right elevational view thereof;

FIG. 6 is a top view thereof; and,

FIG. 7 is a bottom view thereof.

1 Claim, 4 Drawing Sheets



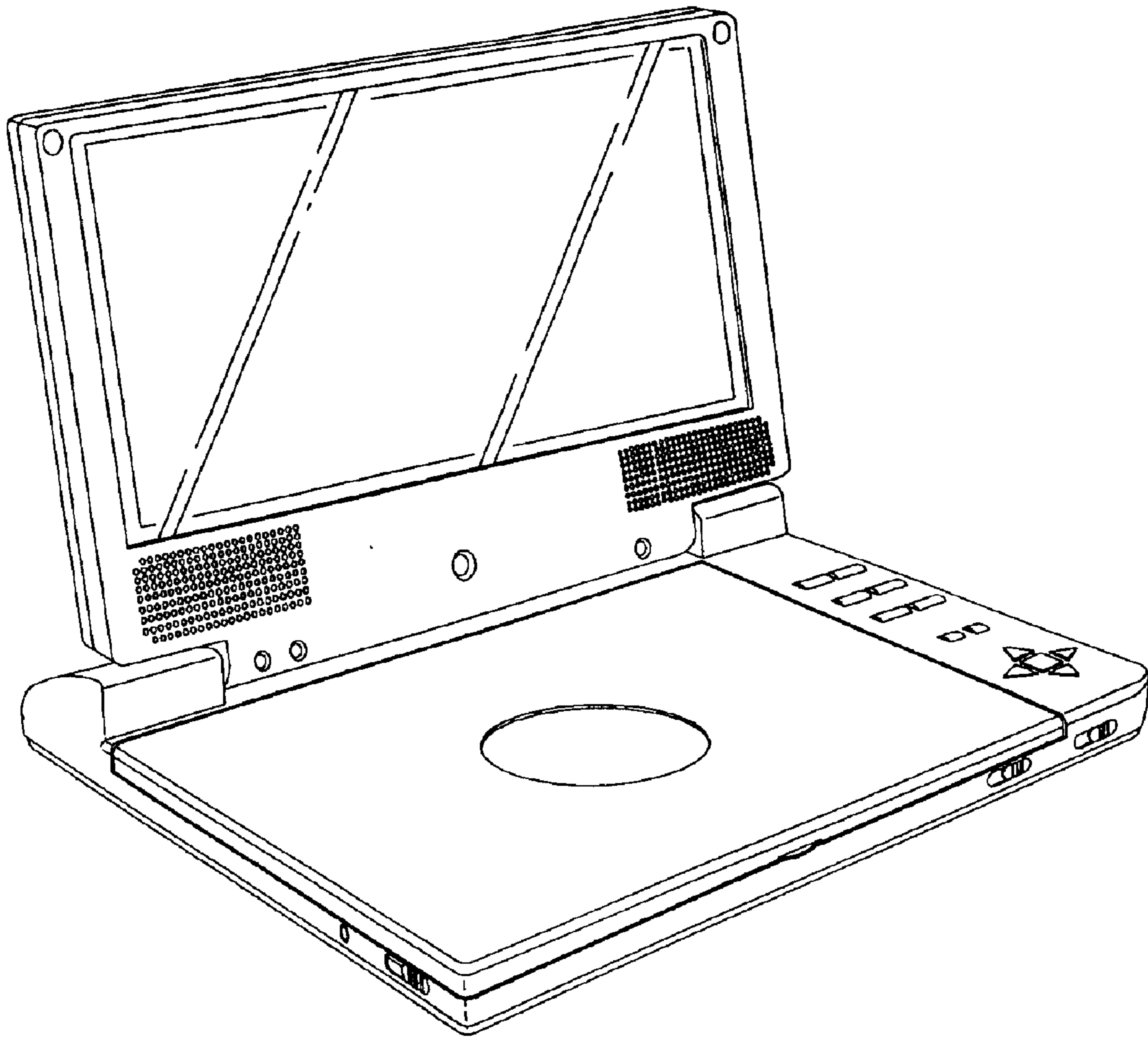


FIG.1

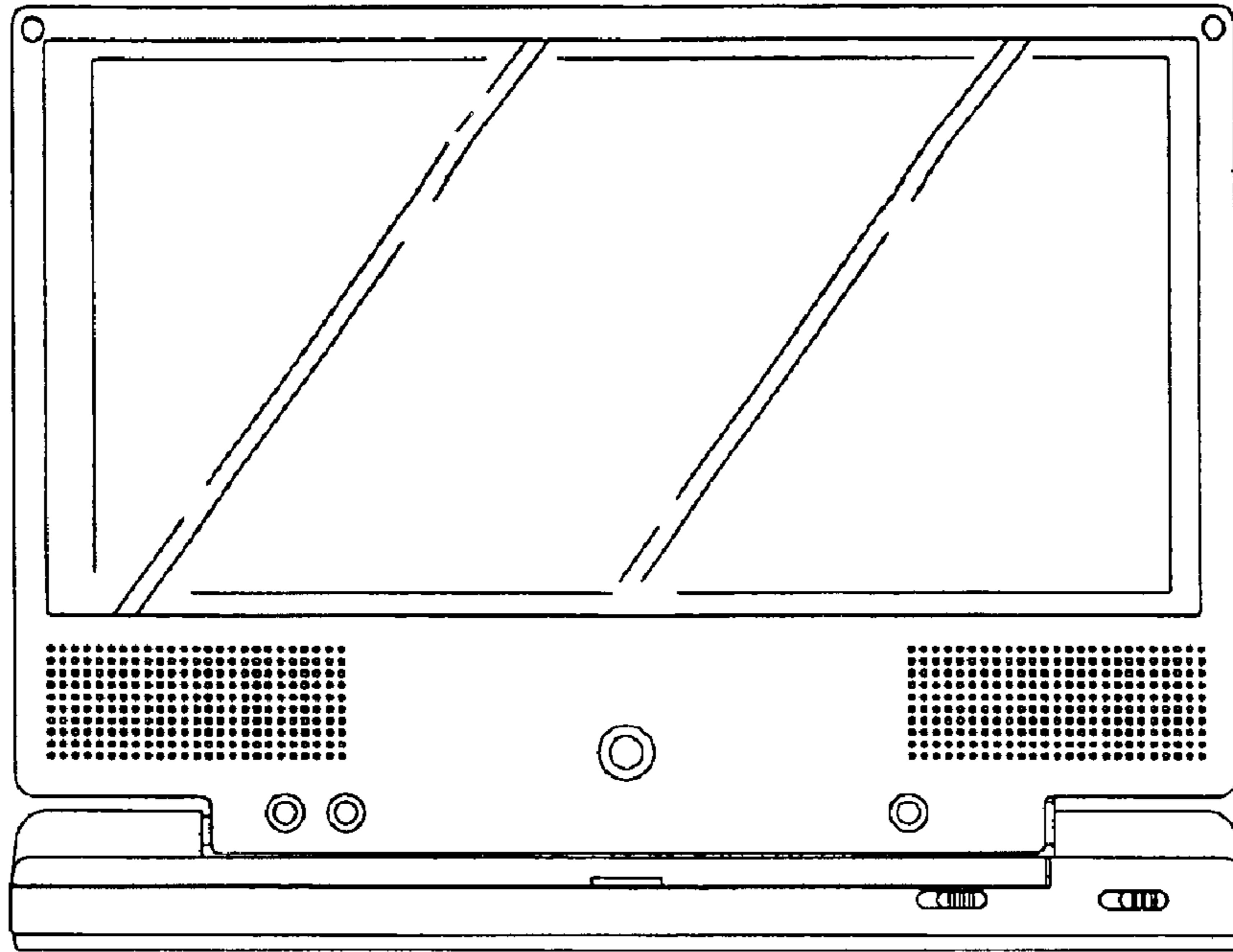


FIG. 2

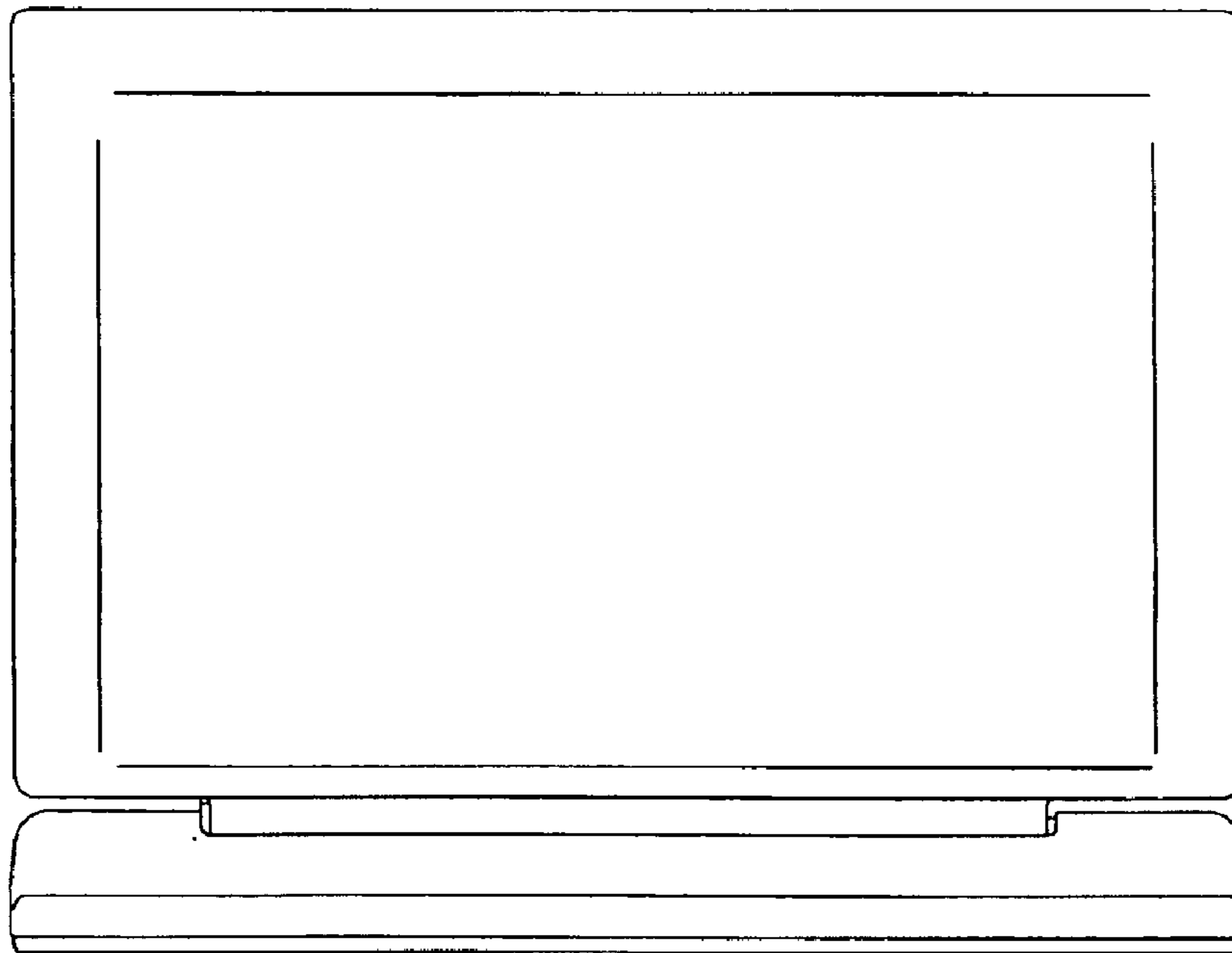


FIG. 3

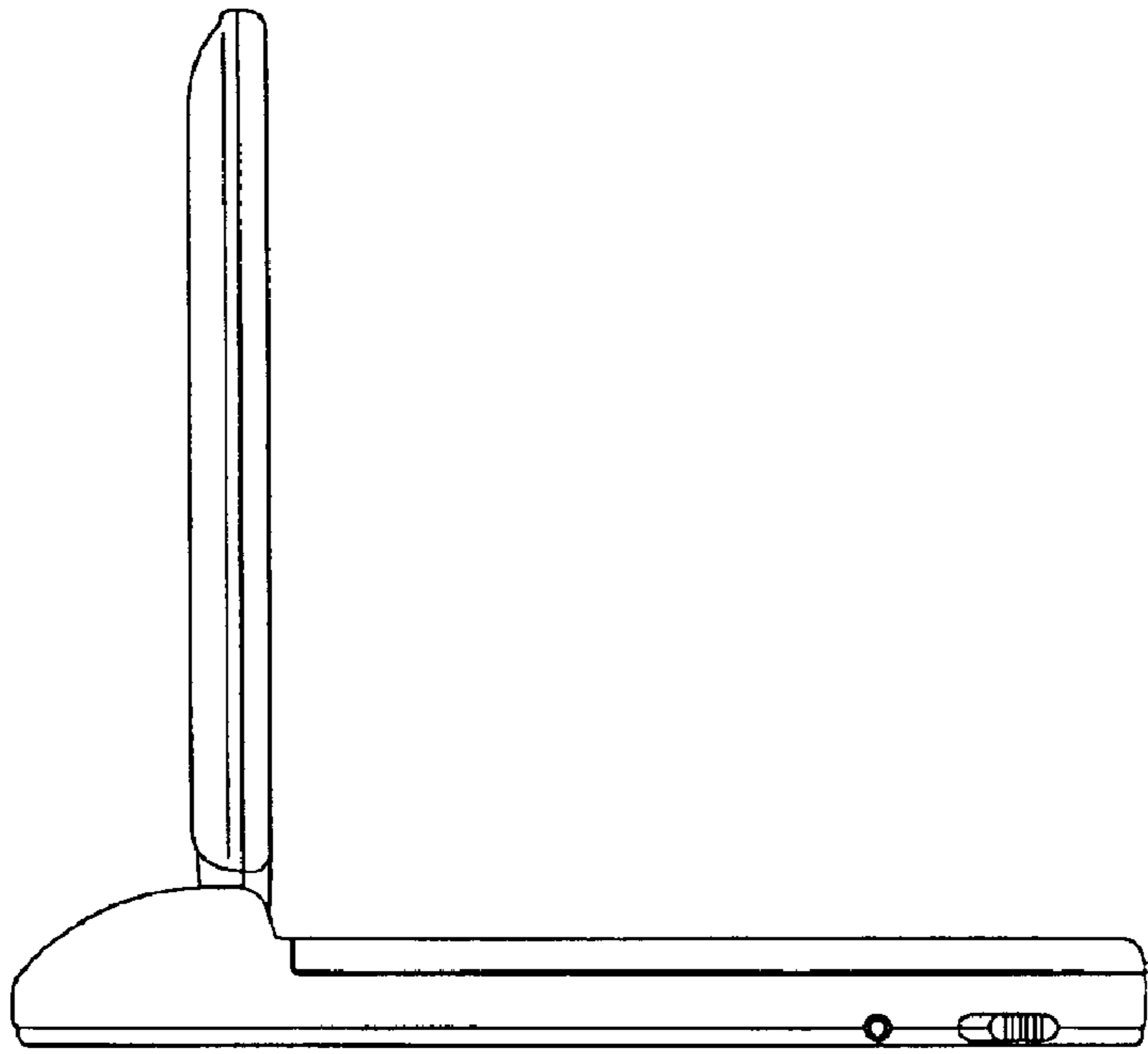


FIG. 4

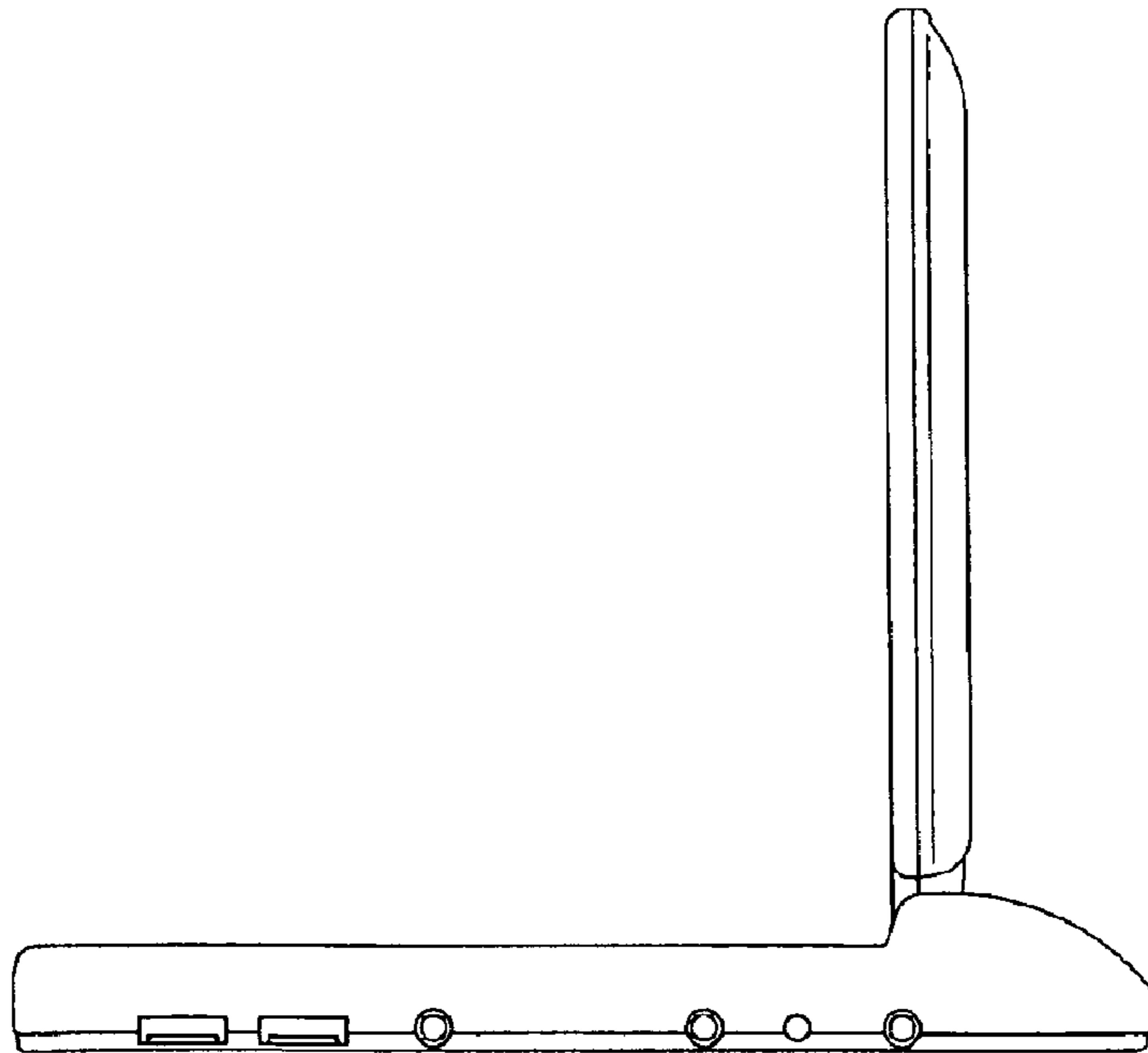


FIG. 5

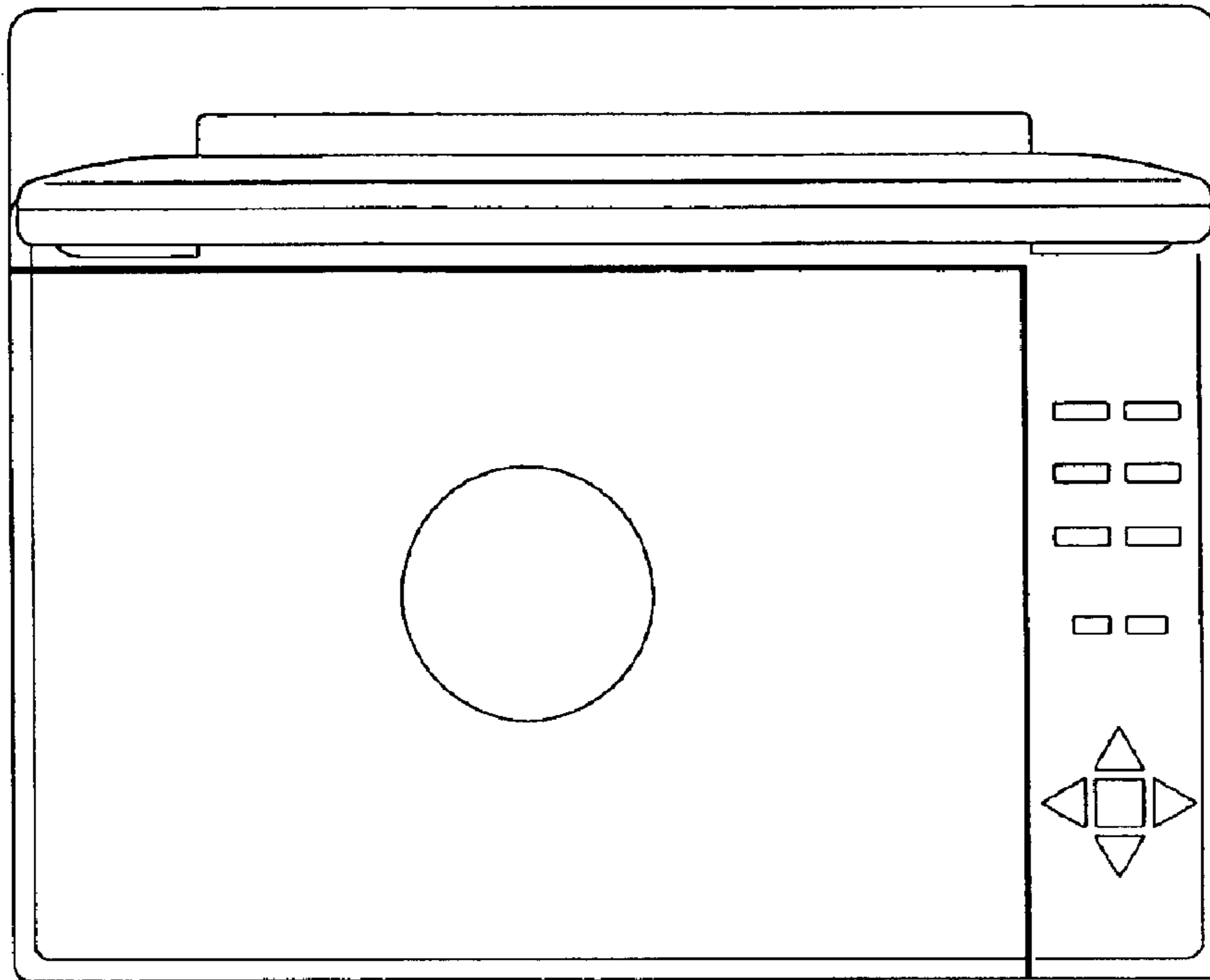


FIG. 6

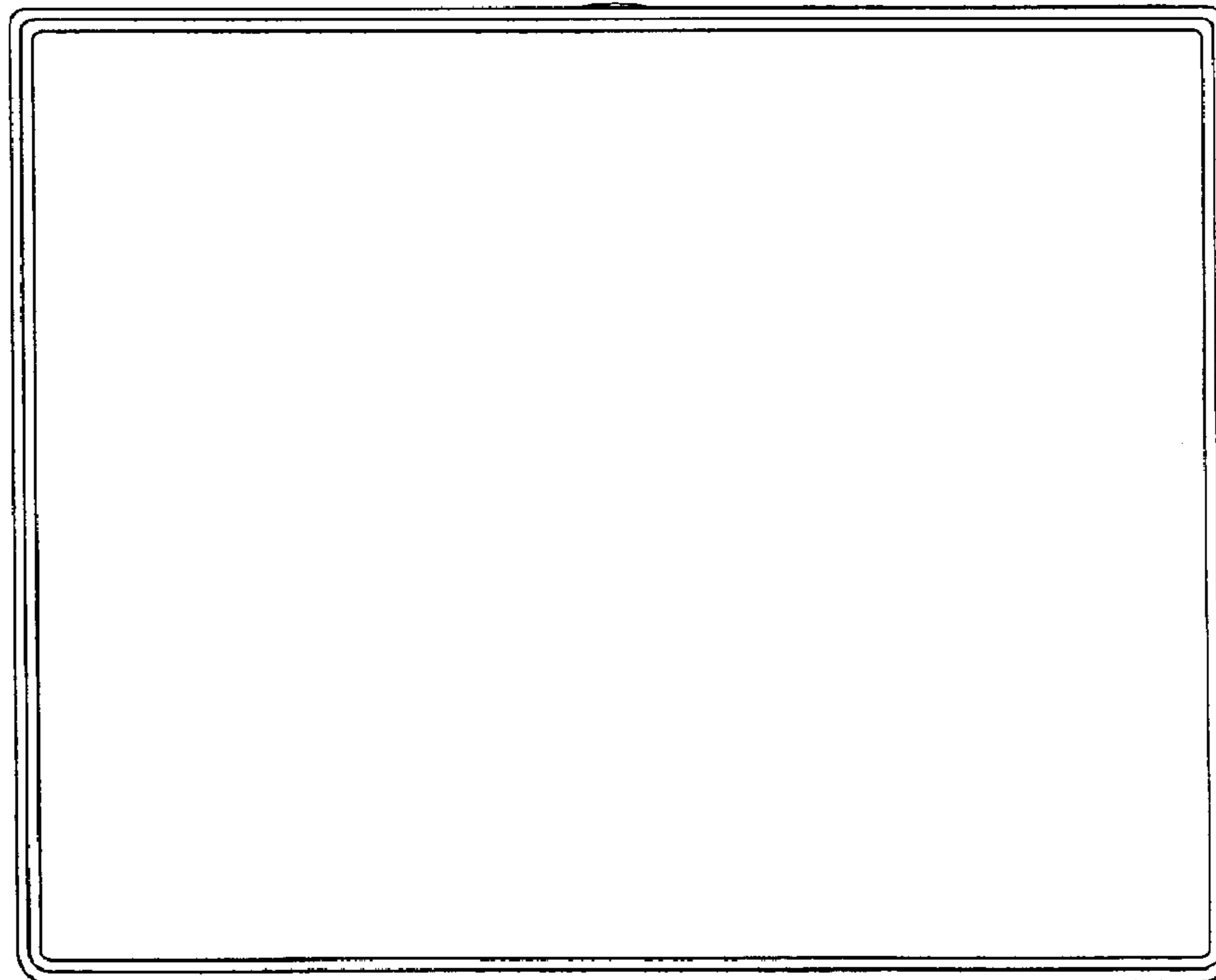


FIG. 7