

US00D501826S

(12) **United States Design Patent**
Bachmann

(10) **Patent No.: US D501,826 S**
(45) **Date of Patent: ** Feb. 15, 2005**

(54) **ELECTRICAL CONNECTOR**

(75) Inventor: **Werner Bachmann, Rankweil (AT)**

(73) Assignee: **Neutrik Aktiengesellschaft, Schaan (LI)**

(**) Term: **14 Years**

(21) Appl. No.: **29/157,444**

(22) Filed: **Mar. 19, 2002**

(30) **Foreign Application Priority Data**

Sep. 24, 2001 (WO) 193 059 801
Jan. 16, 2002 (AT) MU-204/2002
Jan. 16, 2002 (AT) MU-203/2002

(51) **LOC (7) Cl. 13-03**

(52) **U.S. Cl. D13/133**

(58) **Field of Search** D13/133, 147,
D13/154, 156; D14/256; 439/578, 583-584,
668-669, 675, 751, 843, 851

(56) **References Cited**

U.S. PATENT DOCUMENTS

D245,977 S * 10/1977 Mouttet D13/133
D275,848 S * 10/1984 Ricossa D13/133
D300,425 S * 3/1989 Sumita D13/133
D301,459 S * 6/1989 Chambers D13/151

D322,954 S * 1/1992 Avramovich D13/133
D323,643 S * 2/1992 Lee D13/133
D360,400 S * 7/1995 Pitcher D13/133
D366,863 S * 2/1996 Lee D13/133
D405,757 S * 2/1999 Chiu D13/133
D425,023 S * 5/2000 Awbrey D13/133
D434,003 S * 11/2000 Brisson D13/146
D436,077 S * 1/2001 Cheng D13/133
D443,858 S * 6/2001 Treiger et al. D13/133

* cited by examiner

Primary Examiner—Stella Reid

Assistant Examiner—Daniel Bui

(74) *Attorney, Agent, or Firm*—Neal L. Slifkin

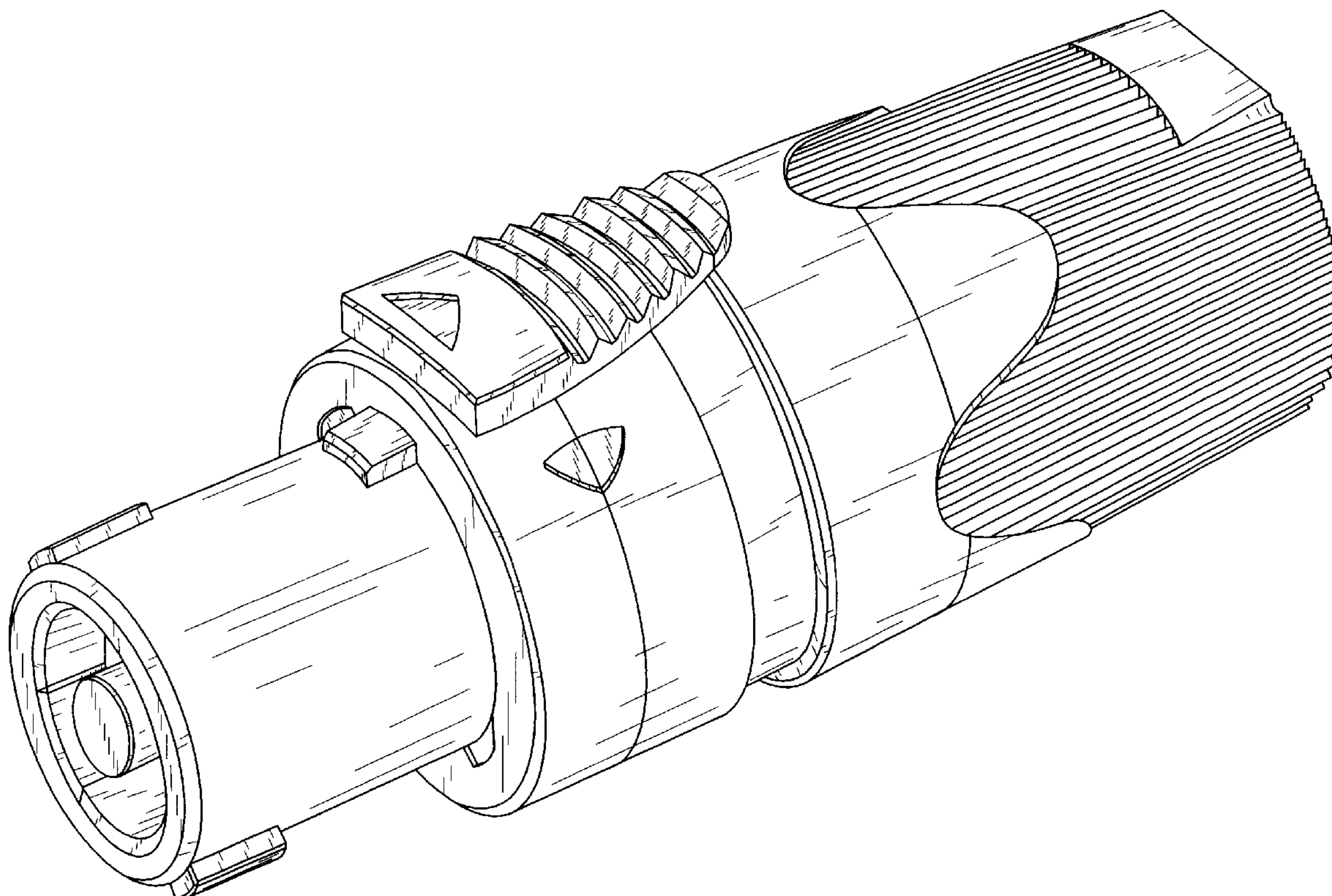
(57) **CLAIM**

The ornamental design of an electrical connector, as shown and described.

DESCRIPTION

FIG. 1 is a front elevation view of an electrical connector, showing my new design;
FIG. 2 is a left side elevation view thereof;
FIG. 3 is a rear elevation view thereof;
FIG. 4 is a right side elevation view thereof;
FIG. 5 is a bottom plan view thereof, on an enlarged scale;
FIG. 6 is a top plan view thereof; and,
FIG. 7 is a perspective thereof.

1 Claim, 4 Drawing Sheets



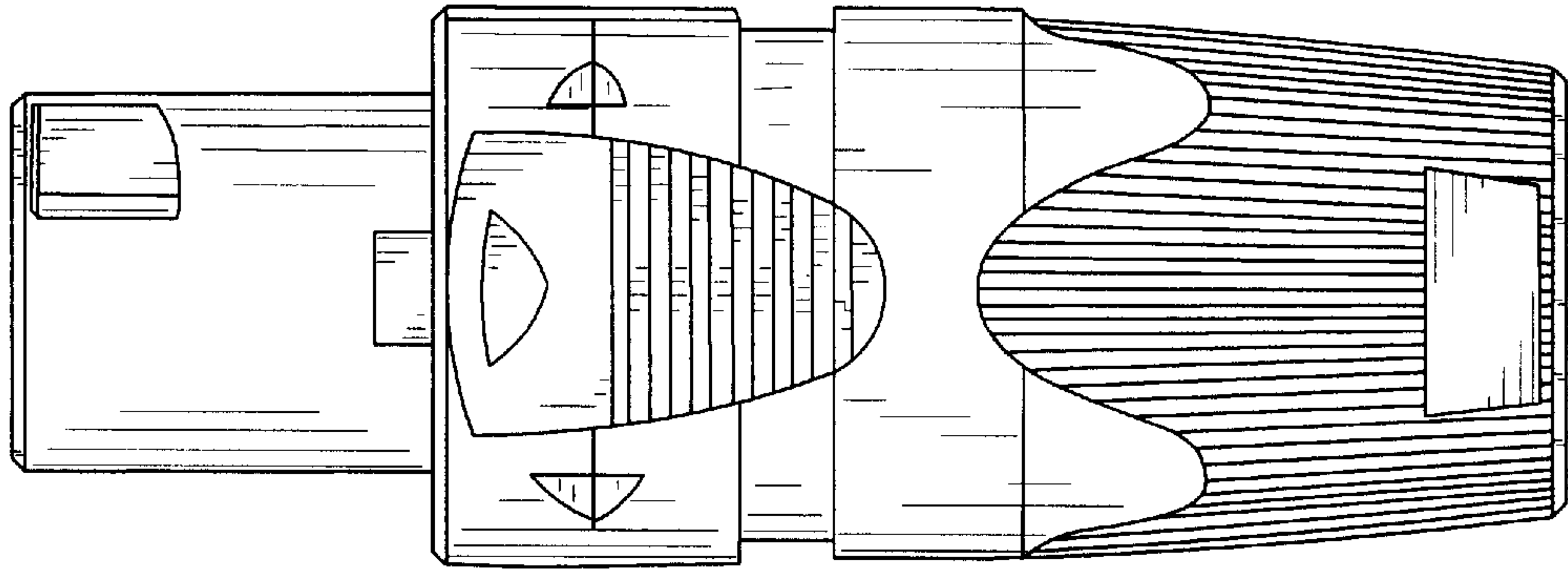


FIG. 2

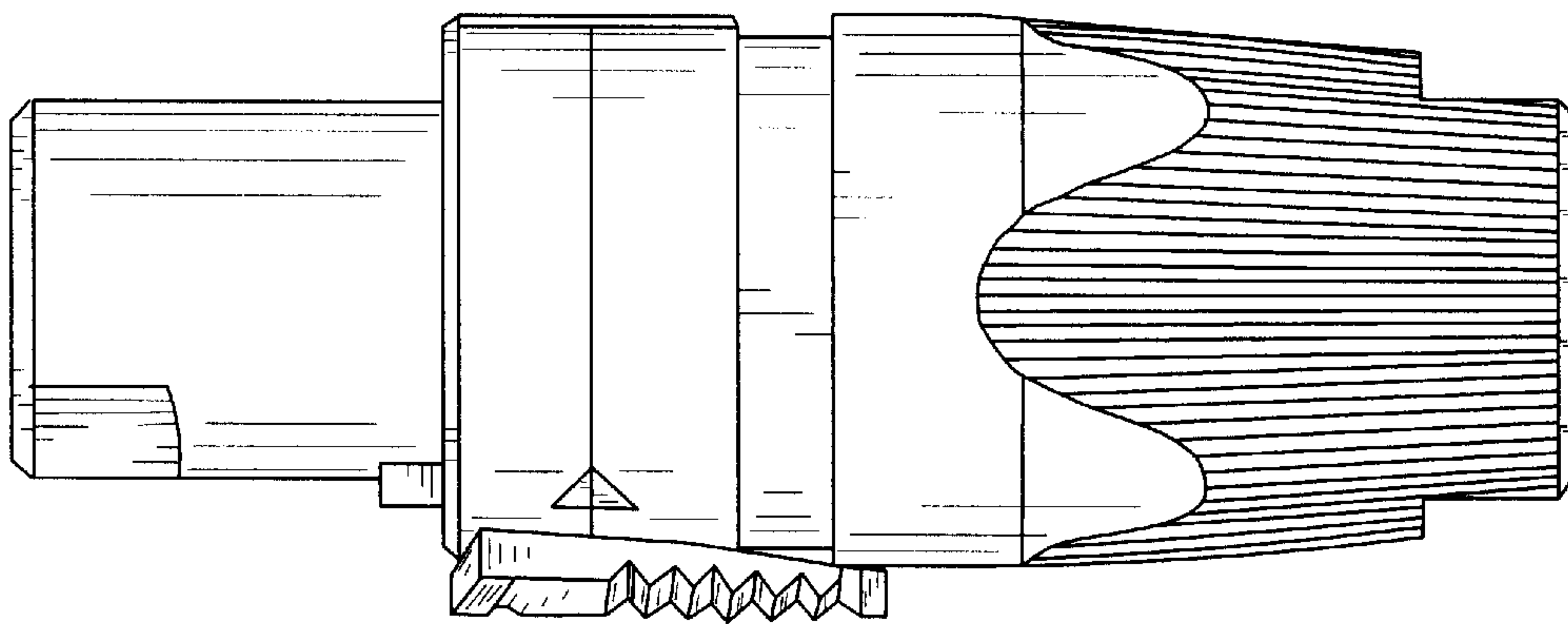


FIG. 1

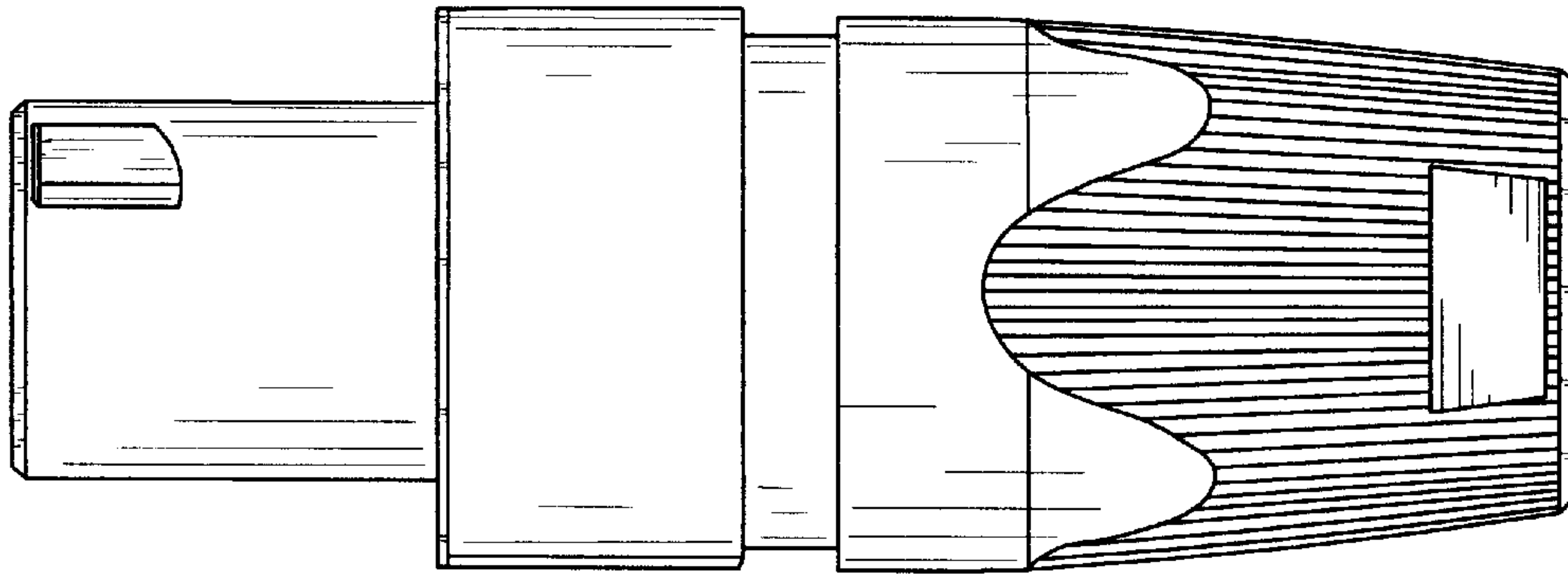


FIG. 4

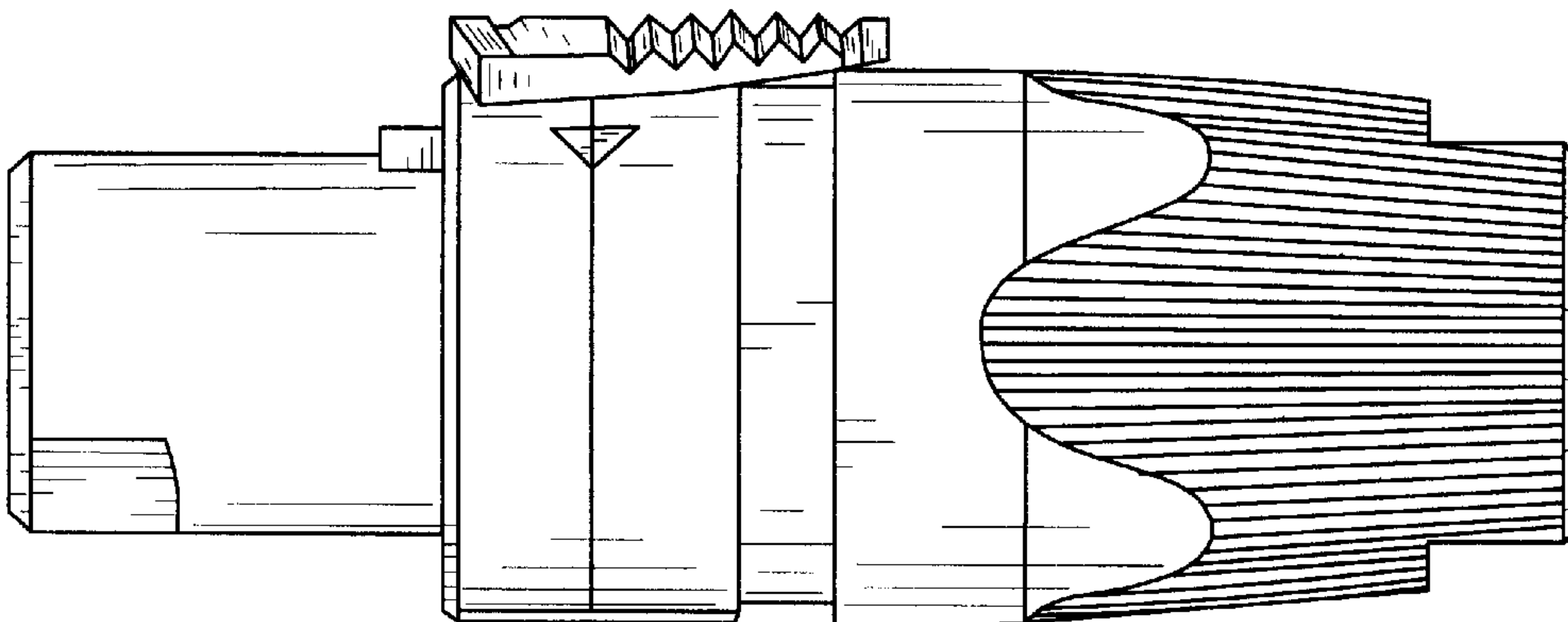


FIG. 3

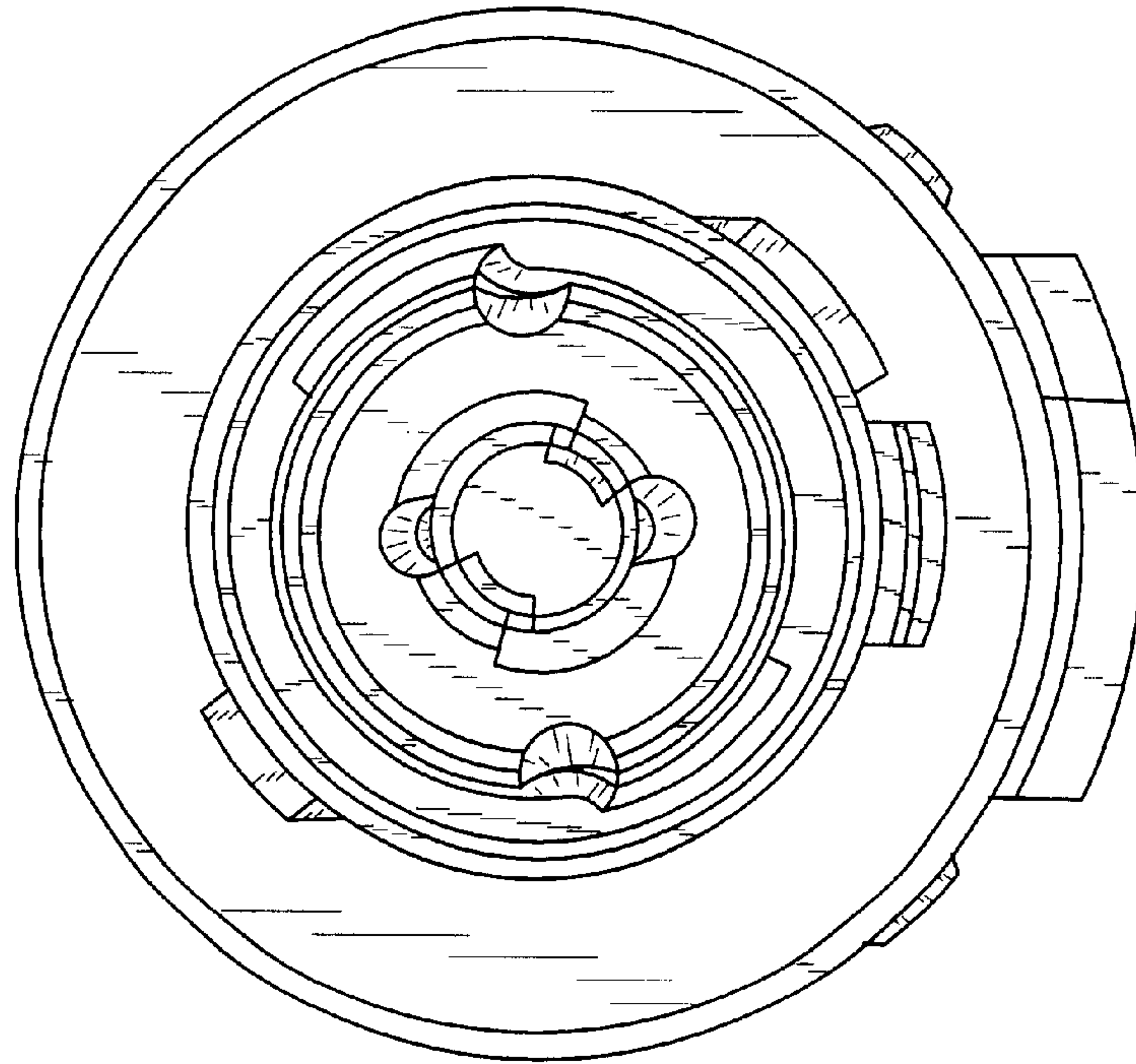


FIG. 6

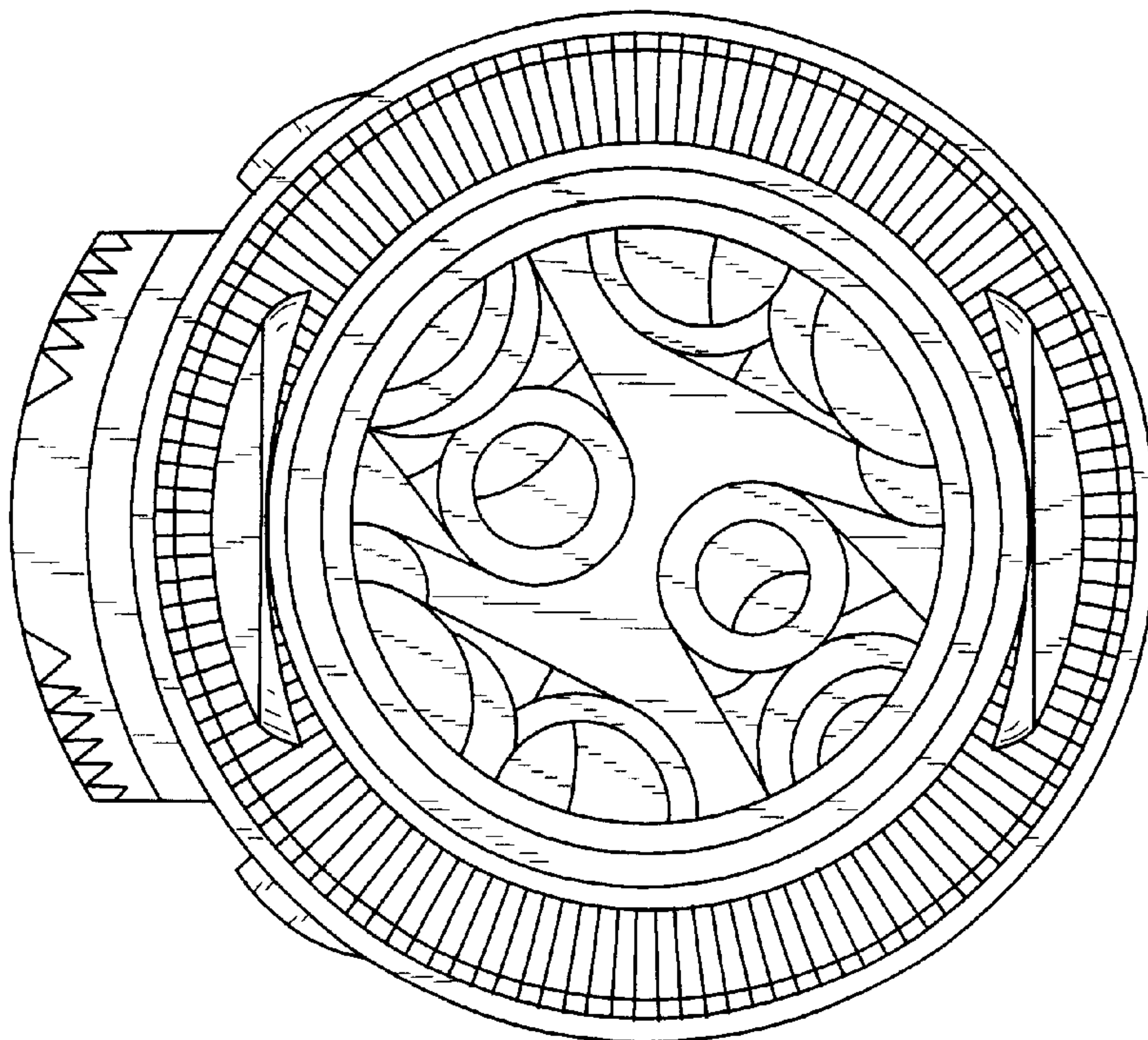


FIG. 5

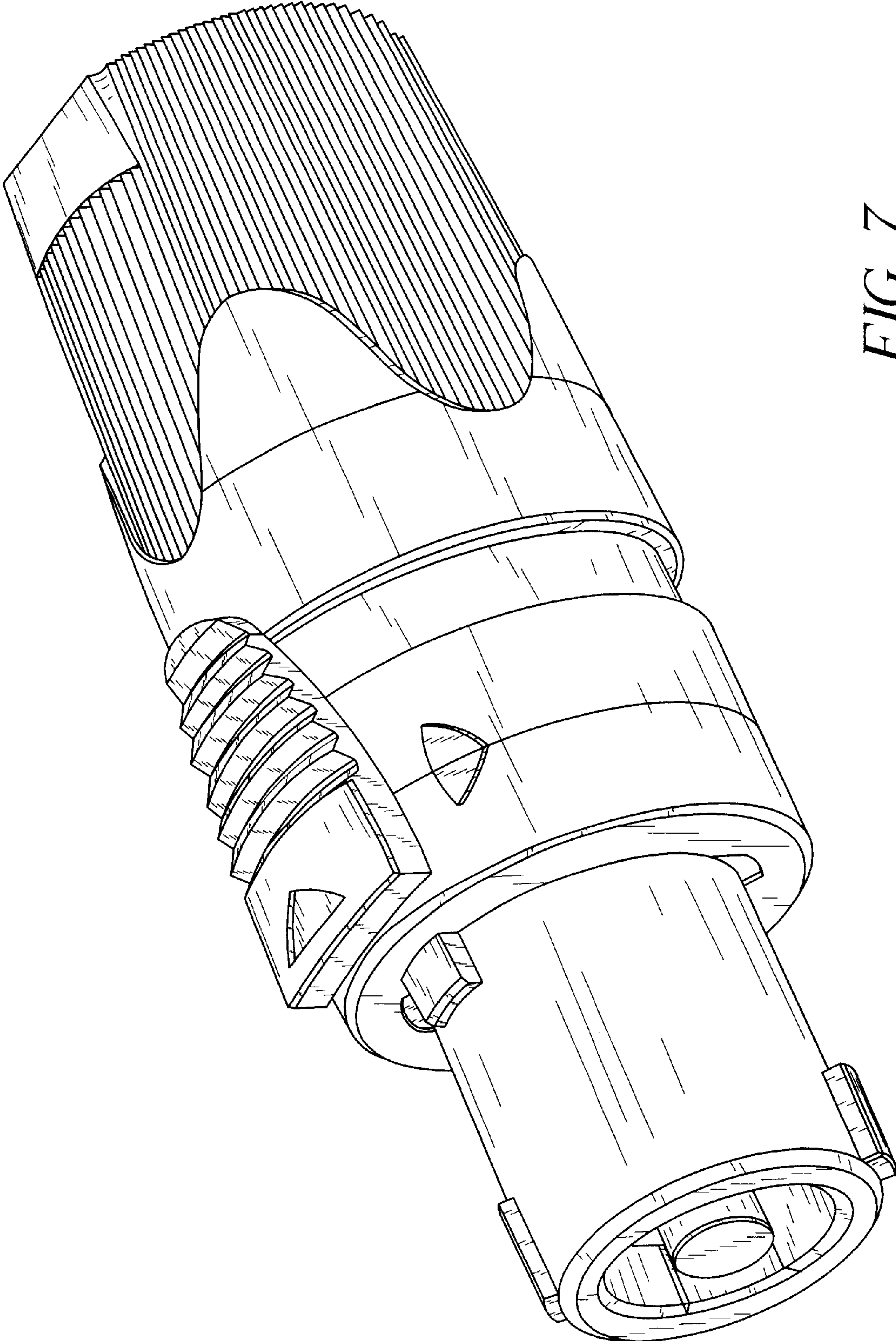


FIG. 7