

US00D501823S

(12) **United States Design Patent** (10) **Patent No.:** **US D501,823 S**
Johnson et al. (45) **Date of Patent:** **** Feb. 15, 2005**

(54) **BATTERY**

(75) Inventors: **Todd W. Johnson**, Wauwatosa, WI (US); **Dennis J. Grzybowski**, New Berlin, WI (US); **Mark A. Kubale**, West Bend, WI (US)

(73) Assignee: **Milwaukee Electric Tool Corporation**, Brookfield, WI (US)

(**) Term: **14 Years**

(21) Appl. No.: **29/171,438**

(22) Filed: **Nov. 22, 2002**

(51) **LOC (7) Cl.** **13-02**

(52) **U.S. Cl.** **D13/107**

(58) **Field of Search** D13/103; 429/96-100

(56) **References Cited**

U.S. PATENT DOCUMENTS

3,786,208 A *	1/1974	Edwards	439/374 X
3,906,369 A	9/1975	Pitman et al.		
D260,886 S	9/1981	Taylor		
D266,501 S	10/1982	Stefanik		
D278,142 S	3/1985	Chan		
D278,426 S	4/1985	Lanci et al.		
D285,554 S	9/1986	Beaumont et al.		
D295,529 S	5/1988	Masaki et al.		
D301,135 S	5/1989	Schappler		
4,845,650 A	7/1989	Meade et al.		
D313,391 S	1/1991	Pudwill		
D321,338 S	11/1991	Sakamoto et al.		
D322,060 S	12/1991	Iino		
5,213,913 A	5/1993	Anthony, III et al.		
D387,728 S	12/1997	Kawakami et al.		
D388,792 S	1/1998	Nykerk		
5,717,571 A *	2/1998	Helot	439/372 X
D398,900 S	9/1998	Roman		
5,902,080 A	5/1999	Kopras		
D412,485 S	8/1999	Kato et al.		

D417,648 S	12/1999	Clowers et al.		
6,155,877 A *	12/2000	Yu et al.	439/607
D450,338 S	11/2001	Hamamura		
D460,413 S	7/2002	Zurwelle et al.		
6,508,313 B1	1/2003	Carney et al.		
6,537,694 B1	3/2003	Sugiura et al.		

FOREIGN PATENT DOCUMENTS

JP 2001143678 7/2000

OTHER PUBLICATIONS

Dantona Industries, Inc. list of tool batteries entitled "New Power Tool Programs from Dantona", dated Sep. 2001. Article entitled "Makita Launches Nickel Metal Hydride", http://www.makita.com/Press_Item_View.asp?id=32, visited Apr. 17, 2002.

(List continued on next page.)

Primary Examiner—Joel Sincavage

(74) *Attorney, Agent, or Firm*—Michael Best & Friedrich, LLP

(57) **CLAIM**

We claim the ornamental design for a battery, as shown and described.

DESCRIPTION

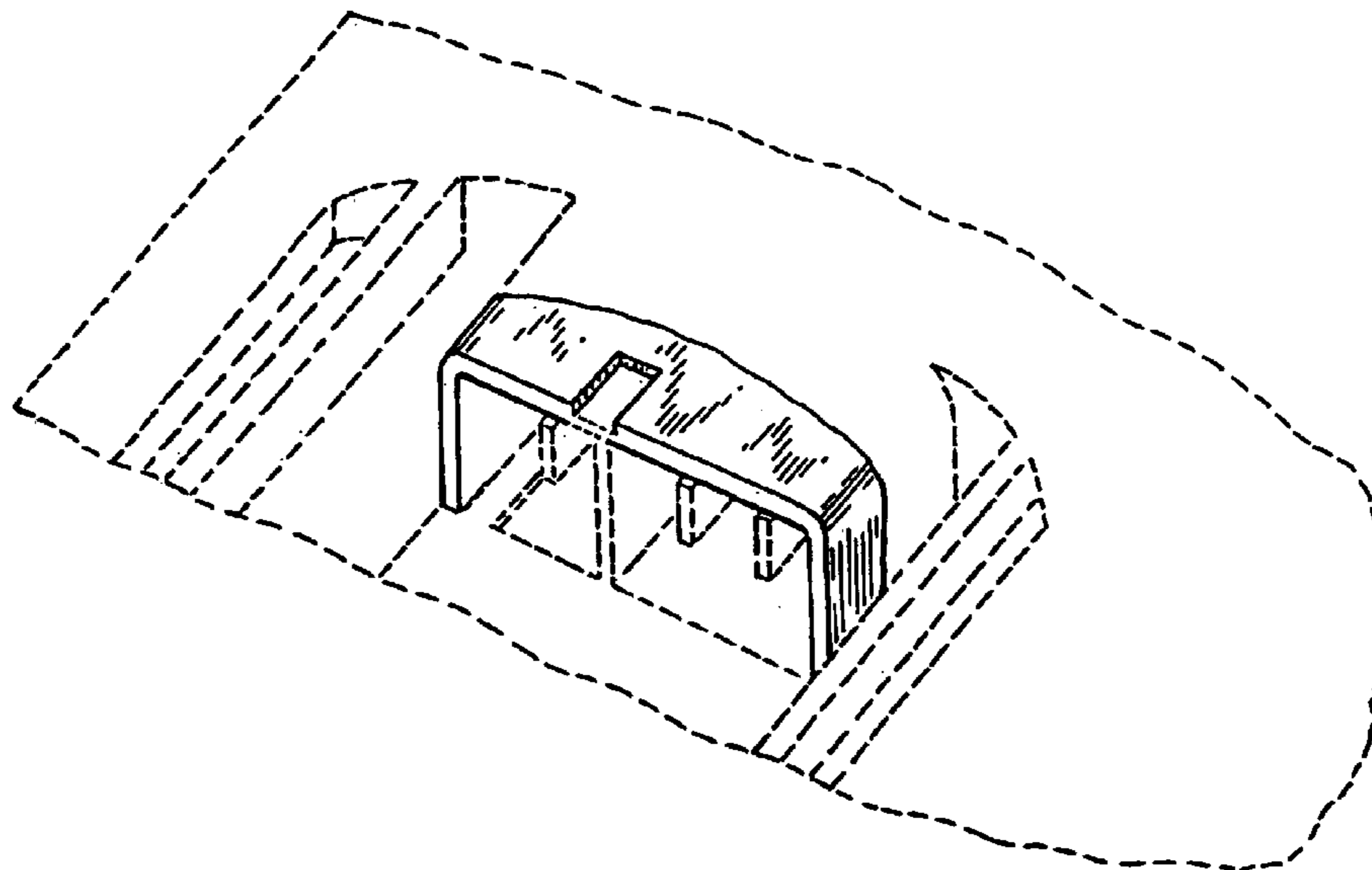
FIG. 1 is a rear perspective view of a battery embodying the invention.

FIG. 2 is a top view of the battery shown in FIG. 1.

FIG. 3 is a rear view of the battery shown in FIG. 1; and, FIG. 4 is an enlarged perspective view of a portion of the battery shown in FIG. 1.

Portions of the housing of the battery and the locking mechanism, are not considered part of the design sought to be patented, and have accordingly been shown in broken lines.

1 Claim, 3 Drawing Sheets



OTHER PUBLICATIONS

Article entitled "Makita's Nickel-Metal Hydride Batteries Reach a New Level", http://www.makita.com/Press_Item_View.asp?id=30, visited Apr. 17, 2002.

Article entitled "1 Hour Charger", http://www.boschtools.com/Tools+and+Accessories/Accessories/acc_specifications.htm?item_no=BC001, visited Apr. 17, 2002.

Article entitled "Professional Cordless Tools", http://www.panasonic.com/commercial_building/power_tools/press/pr8.html, visited Apr. 16, 2002.

Article entitled "'H' Type Nickel Metal Hydride Battery: Improved Low Rate Charge Characteristics at Higher Temperatures", dated Apr. 2002.

* cited by examiner

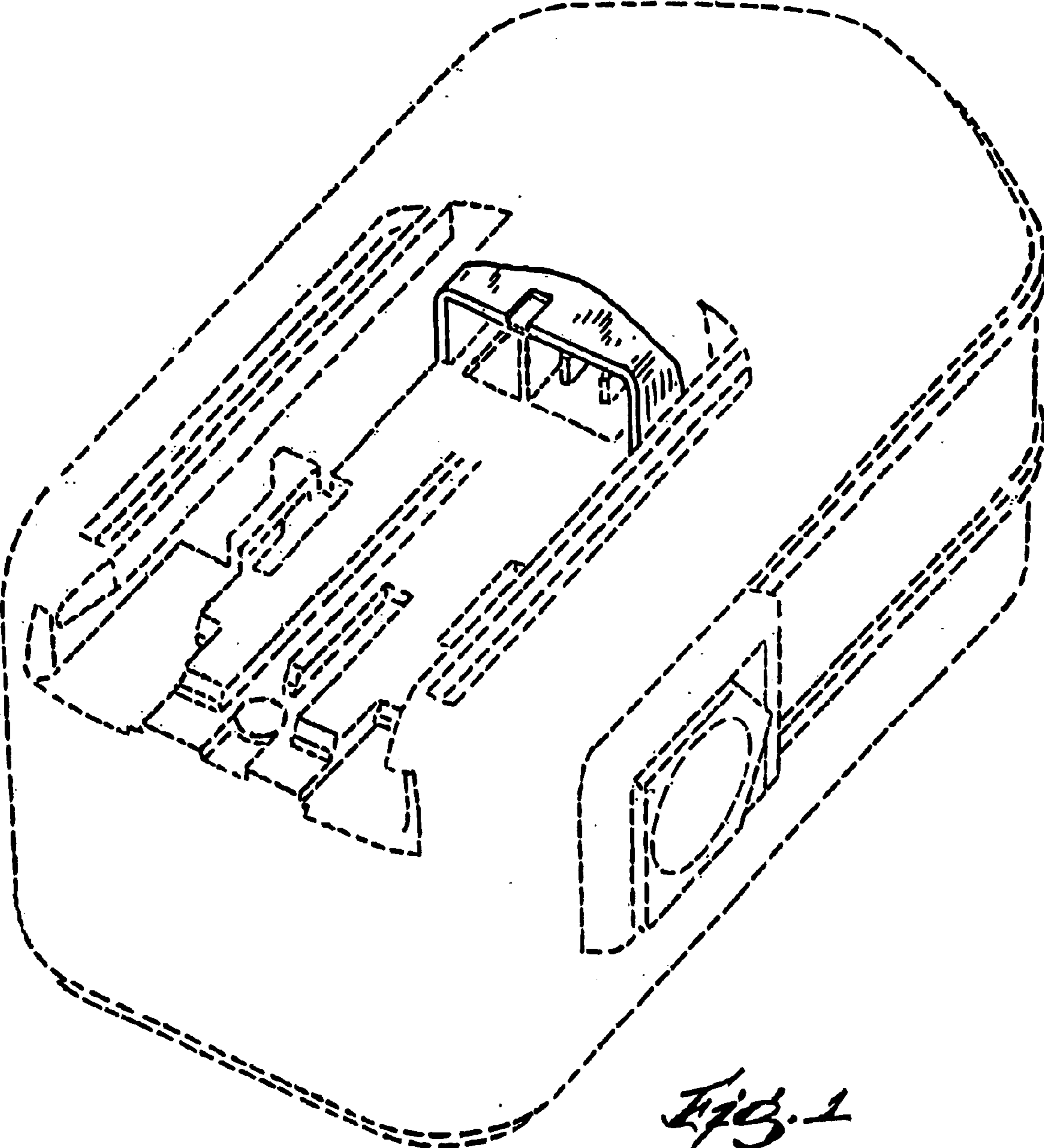


Fig. 1

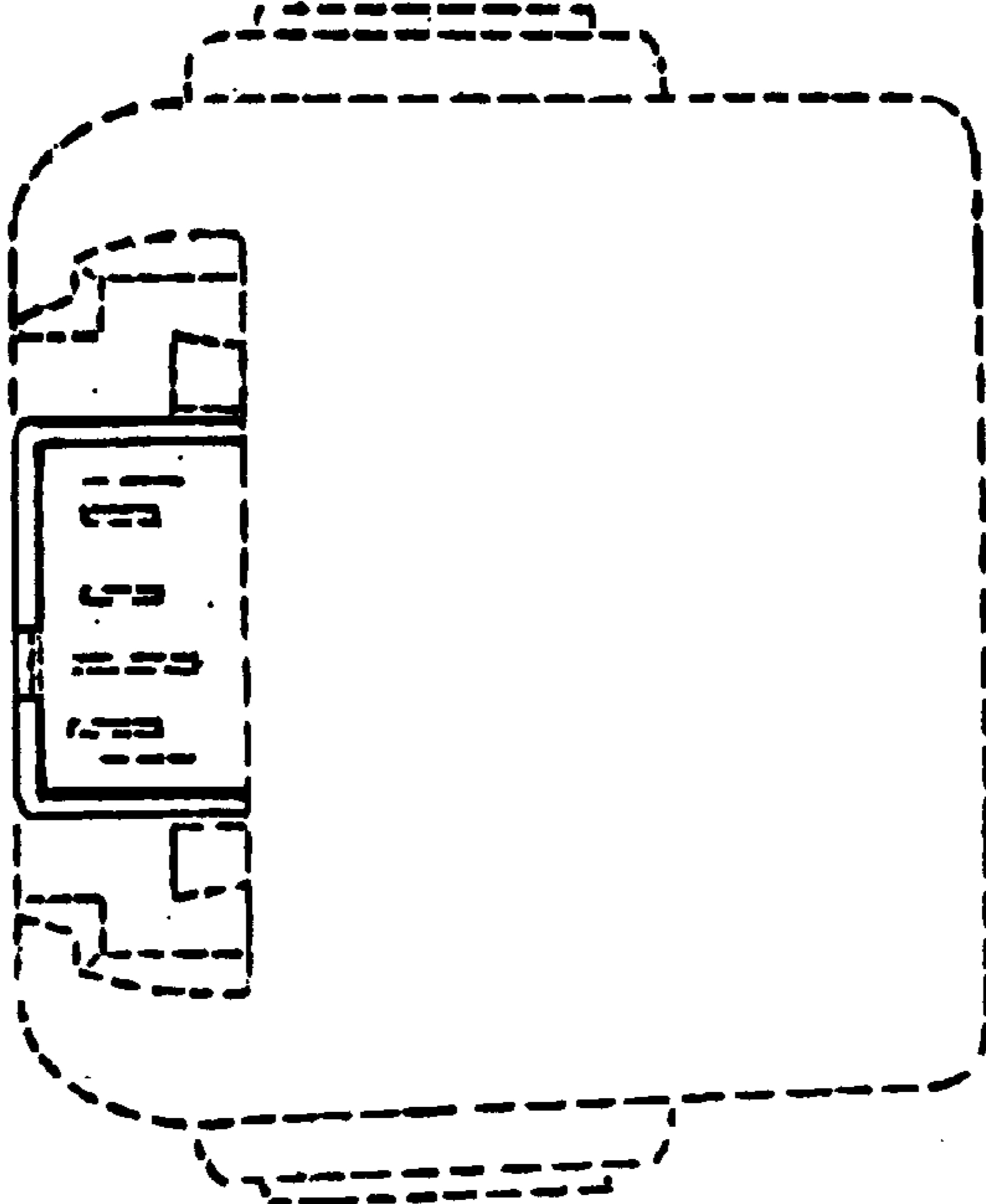


FIG. 3

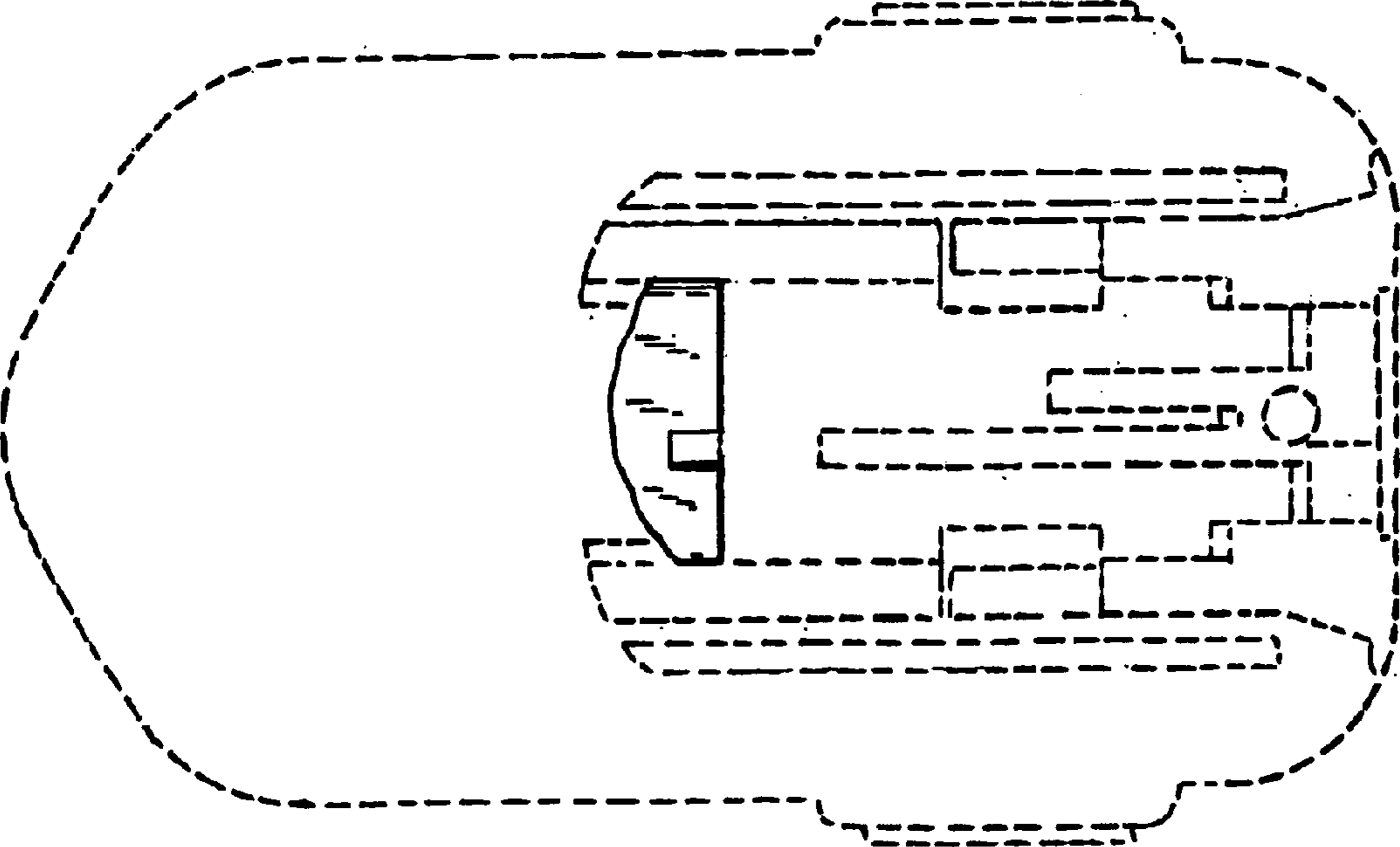


FIG. 2

