

US00D501812S

(12) **United States Design Patent**
Ramelot

(10) **Patent No.:** **US D501,812 S**

(45) **Date of Patent:** **** Feb. 15, 2005**

(54) **EXHAUST SYSTEM**

(76) **Inventor:** **Steve T. Ramelot**, 17933 Toiyabe Cir.,
Fountain Valley, CA (US) 92708

(**) **Term:** **14 Years**

(21) **Appl. No.:** **29/203,919**

(22) **Filed:** **Apr. 21, 2004**

(51) **LOC (7) Cl.** **12-16**

(52) **U.S. Cl.** **D12/194**

(58) **Field of Search** D12/194, 110,
D12/400; D15/5; 60/313, 323; 181/211-212,
227-228, 239, 241, 262-263, 259-260

(56) **References Cited**

U.S. PATENT DOCUMENTS

D199,181 S	*	9/1964	Walker	D12/194
D200,530 S	*	3/1965	Jettinghoff	D12/194
D210,071 S	*	2/1968	Gregg	D12/194
D248,463 S		7/1978	Barnes		
D266,167 S	*	9/1982	Lindbrandt	D15/5
D369,583 S		5/1996	Shirley		
D385,523 S	*	10/1997	Borla	D12/194

D414,452 S	*	9/1999	Verlengiere	D12/194
D435,498 S	*	12/2000	Bassani	D12/194
D454,320 S	*	3/2002	Martin	D12/194
D481,661 S	*	11/2003	James	D12/194
D483,710 S	*	12/2003	James	D12/194

* cited by examiner

Primary Examiner—Stacia Cadmus

(74) *Attorney, Agent, or Firm*—Sedgwick, Detert, Moran &
Arnold LLP; James Yuanxin Li

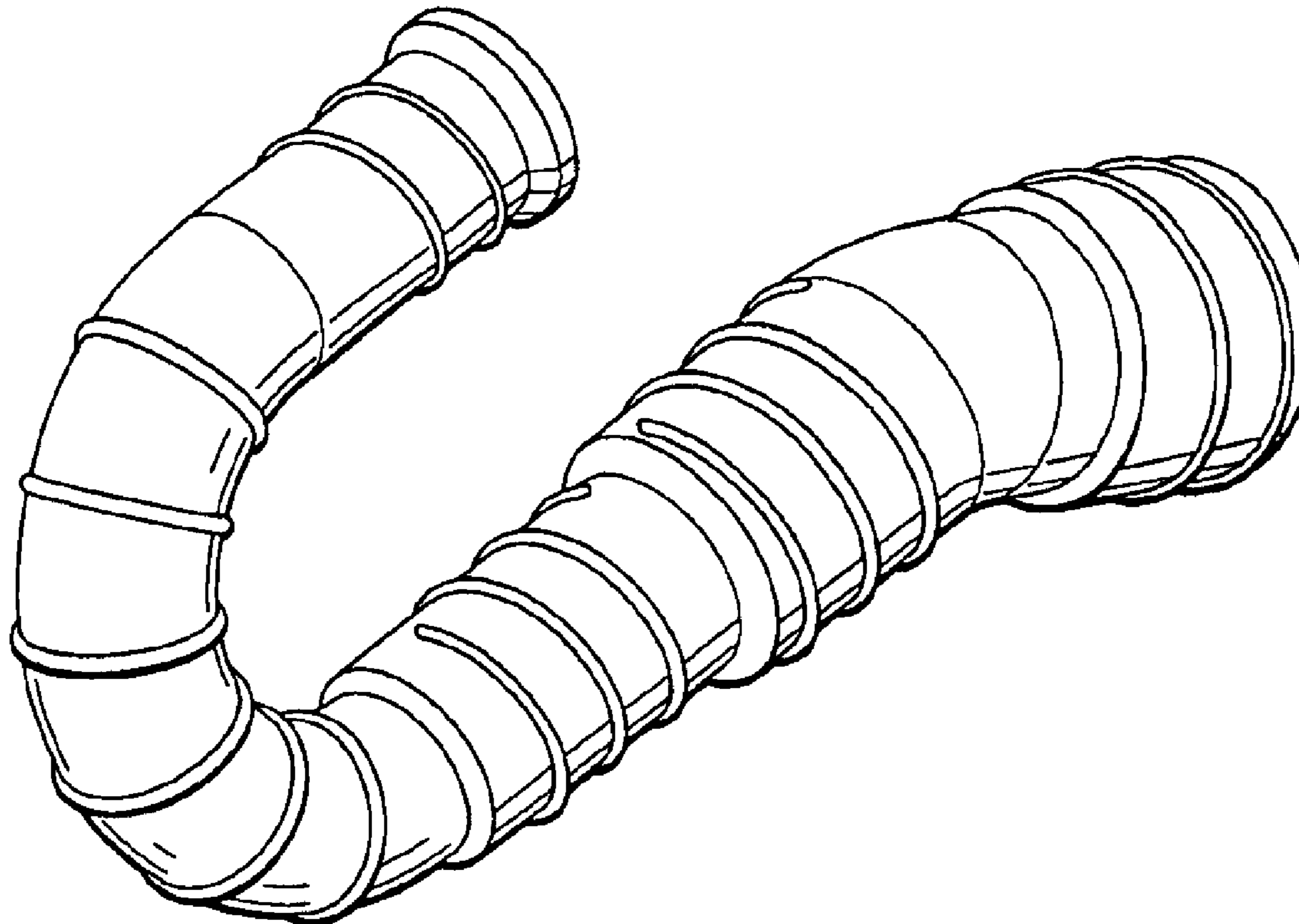
(57) **CLAIM**

The ornamental design for an exhaust system, as shown and described.

DESCRIPTION

FIG. 1 is a front perspective view of an exhaust system incorporating the new design;
FIG. 2 is a bottom plan view thereof;
FIG. 3 is a top plan view thereof;
FIG. 4 is a left side plan view thereof;
FIG. 5 is a right side plan view thereof;
FIG. 6 is a rear elevational view thereof; and,
FIG. 7 is a front elevational view thereof.

1 Claim, 3 Drawing Sheets



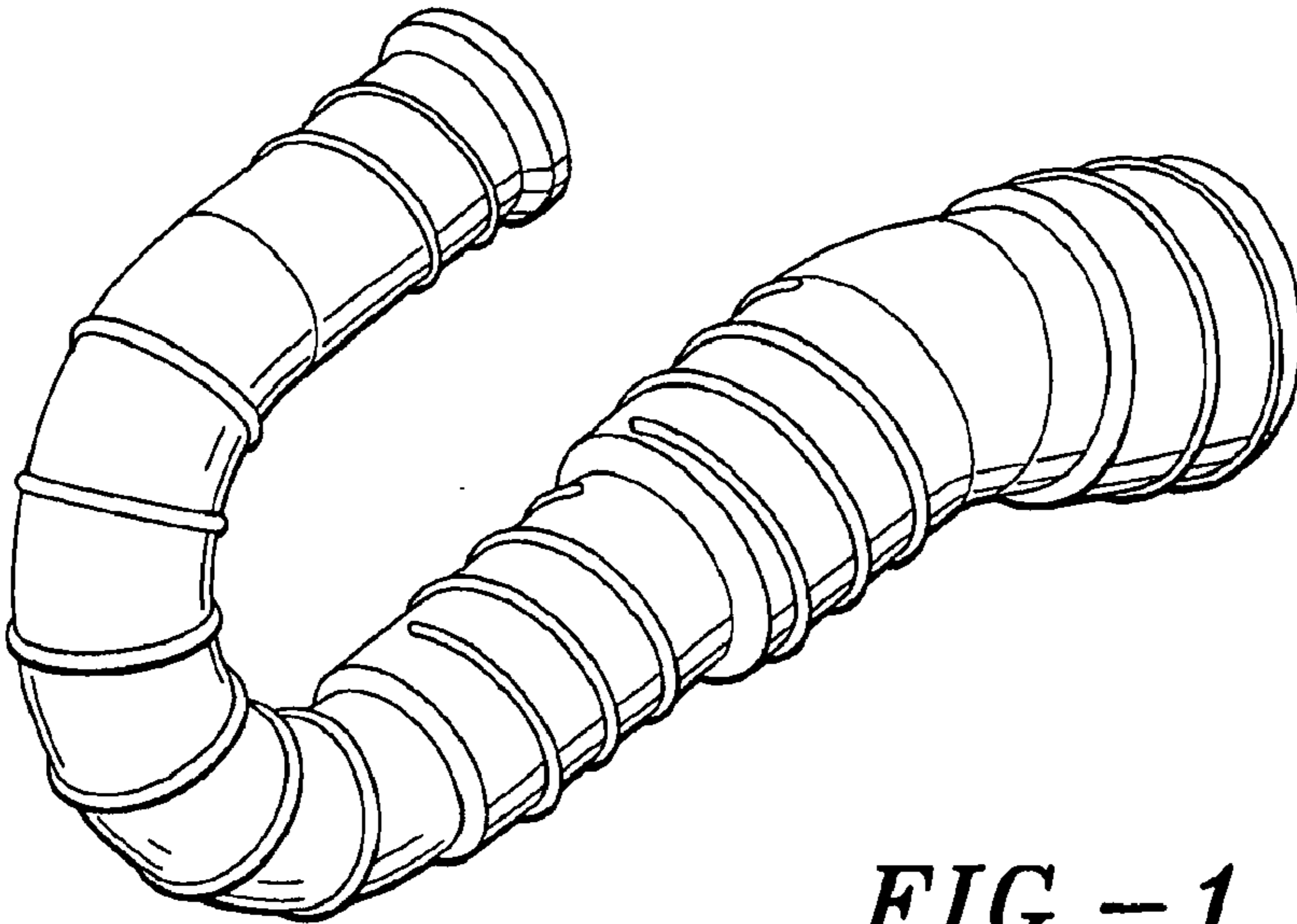


FIG. - 1

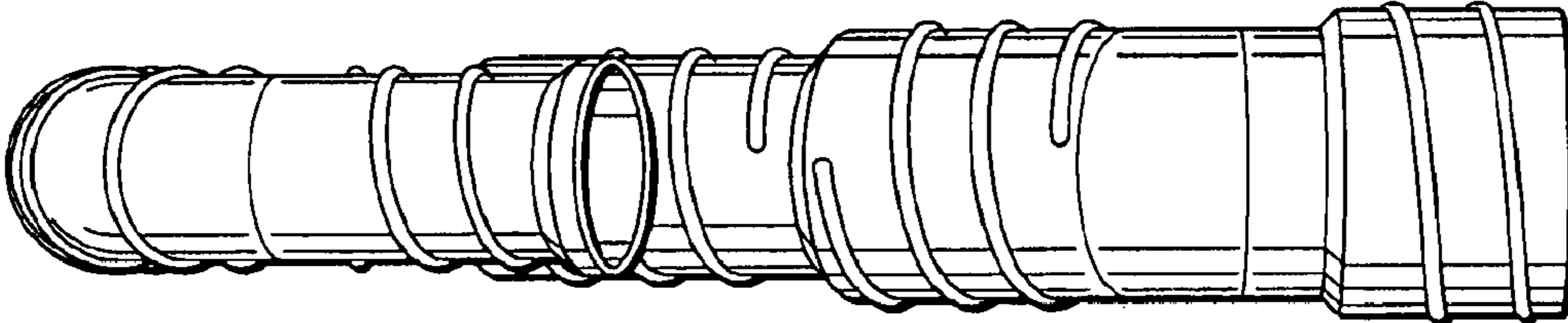


FIG. - 2

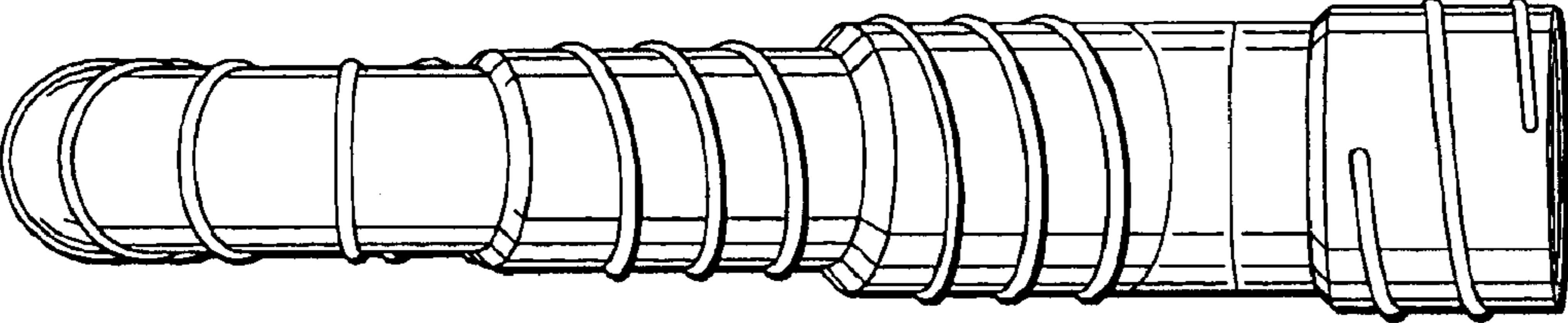


FIG. - 3

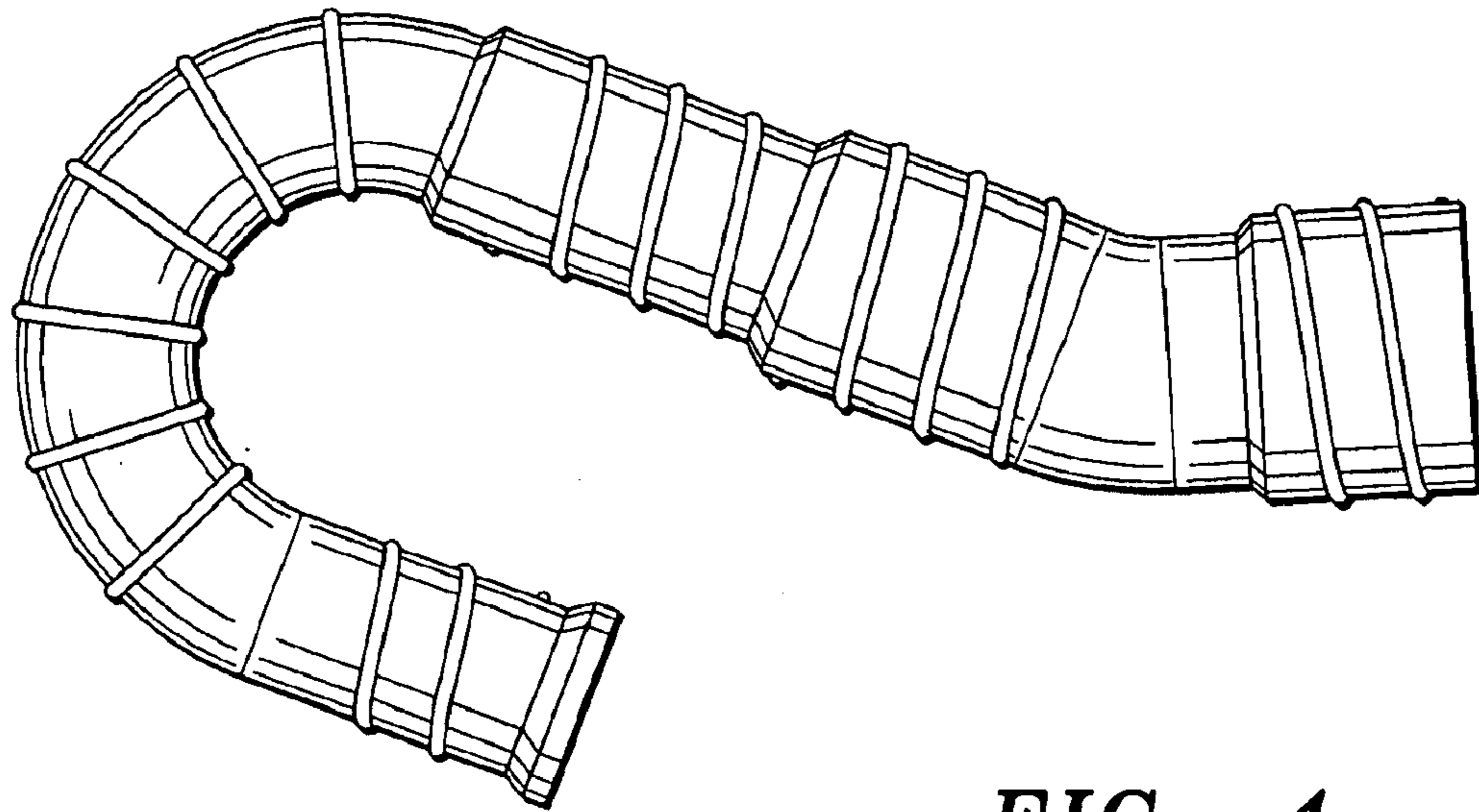


FIG.-4

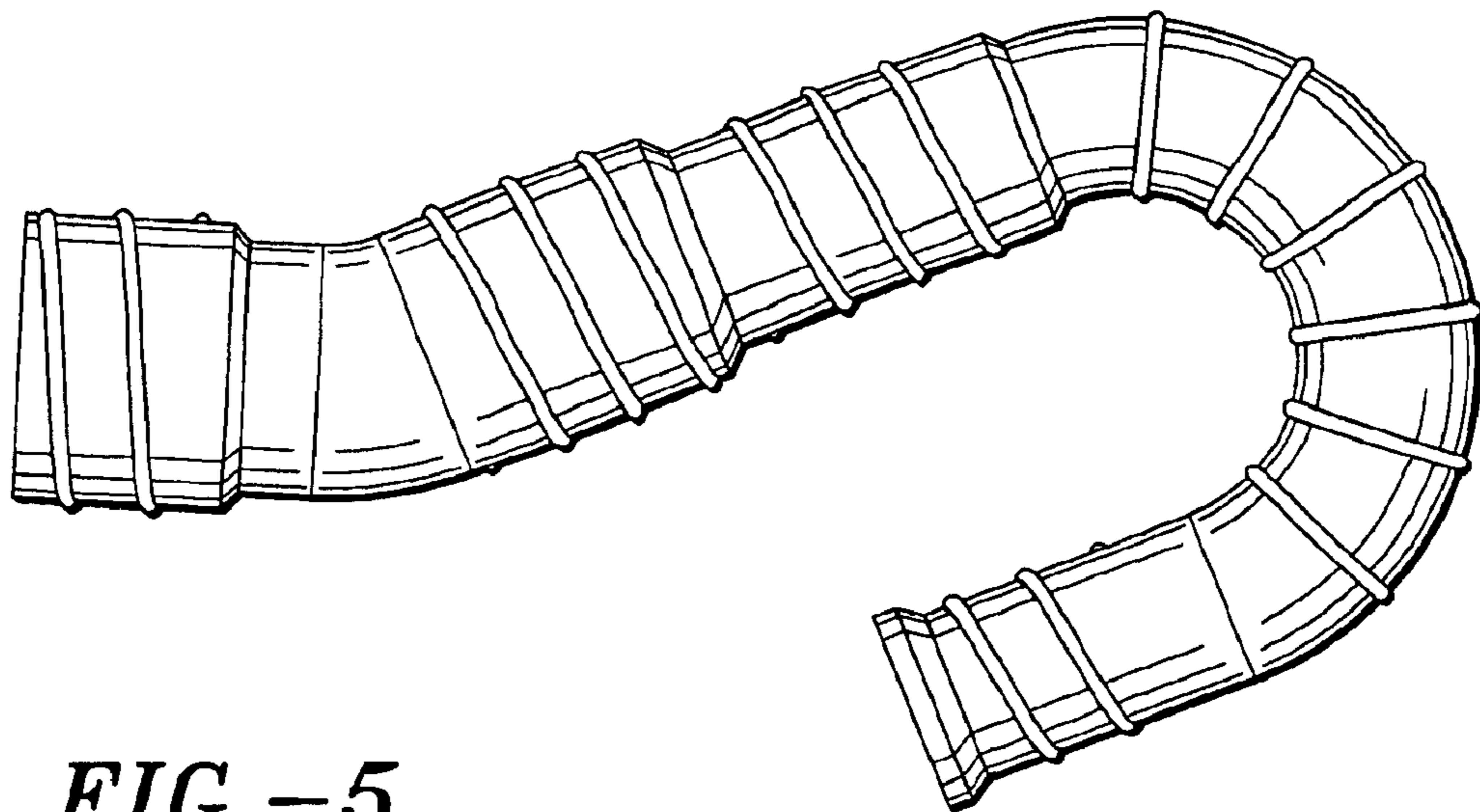


FIG.-5

FIG.-6

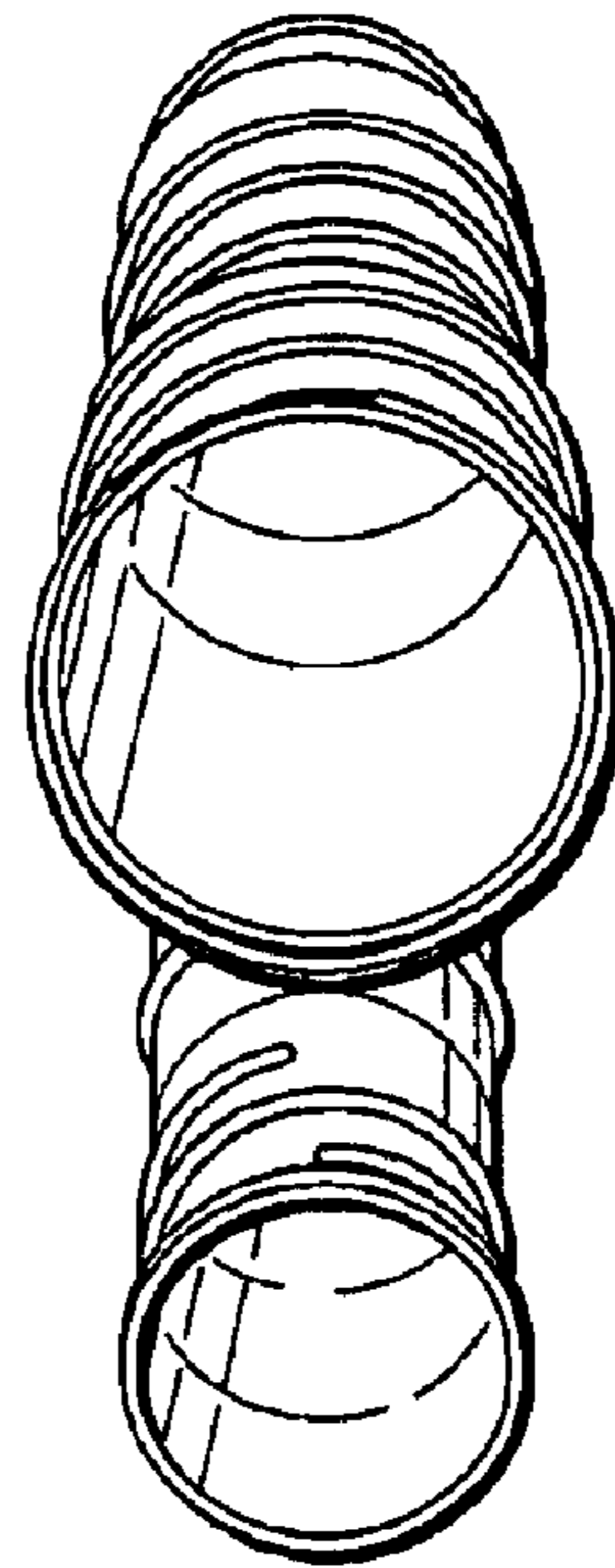


FIG.-7

