

US00D501811S

(12) **United States Design Patent**
Fukuda et al.

(10) **Patent No.:** **US D501,811 S**
(45) **Date of Patent:** **** Feb. 15, 2005**

(54) **INSTRUMENT PANEL FOR AN
AUTOMOBILE**

D470,809 S * 2/2003 Asahi et al. D12/192
D489,301 S * 5/2004 Okonkwo D12/192

(75) Inventors: **Shunsuke Fukuda**, Aichi-ken (JP);
Kazuhiko Komada, Aichi-ken (JP);
Alan Schneider, Irvine, CA (US)

(73) Assignee: **Toyota Jidosha Kabushiki Kaisha (JP)**

(**) Term: **14 Years**

(21) Appl. No.: **29/194,530**

(22) Filed: **Nov. 25, 2003**

(51) **LOC (7) Cl.** **12-16**

(52) **U.S. Cl.** **D12/192**

(58) **Field of Search** D12/192; 180/90;
280/750-752; 296/190-191, 70; D10/46,
102, 98, 122-127

(56) **References Cited**

U.S. PATENT DOCUMENTS

D285,915 S * 9/1986 Luthé et al. D12/192
D433,362 S * 11/2000 Wyszogrod et al. D12/192
D439,211 S * 3/2001 Pfeiffer D12/192
D440,193 S * 4/2001 Pfeiffer D12/192
D455,691 S * 4/2002 Okonkwo D12/192
D469,391 S * 1/2003 Pfeiffer et al. D12/192

OTHER PUBLICATIONS

Toyota Caldina, Brochure of Caldina, Sep. 2002.
Nissan Fairlady Z, Automotive Guidebook of Japan vol. 49,
Oct. 29, 2002, p. 97.

* cited by examiner

Primary Examiner—Stacia Cadmus

(74) *Attorney, Agent, or Firm*—Saidman DesignLaw Group

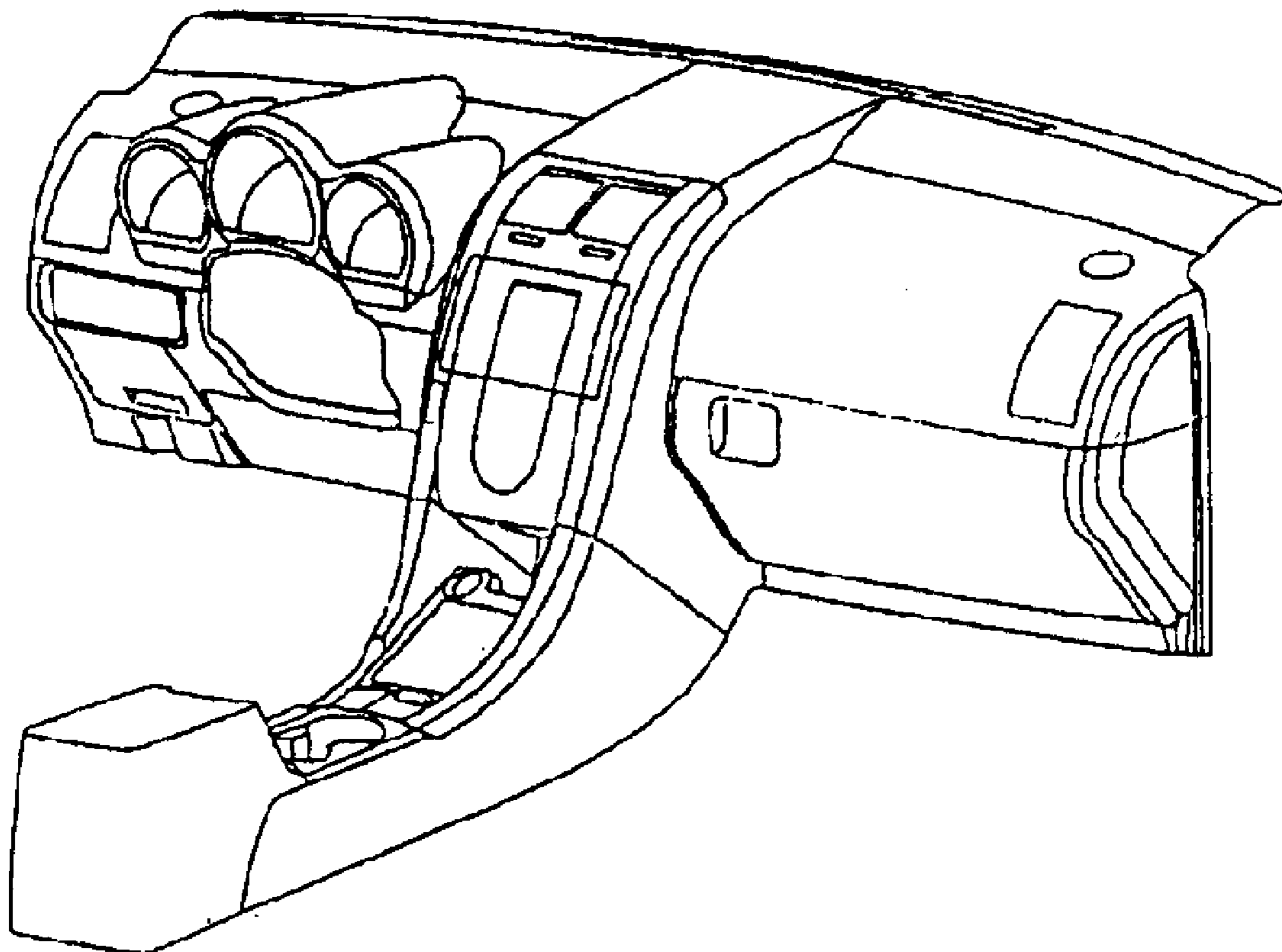
(57) **CLAIM**

The ornamental design for an instrument panel for an
automobile, as shown and described.

DESCRIPTION

FIG. 1 is a perspective view of an instrument panel for an
automobile showing our new design;
FIG. 2 is a front view thereof;
FIG. 3 is a rear view thereof;
FIG. 4 is a top view thereof;
FIG. 5 is a bottom view thereof;
FIG. 6 is a left-side view thereof; and,
FIG. 7 is a right-side view thereof.

1 Claim, 4 Drawing Sheets



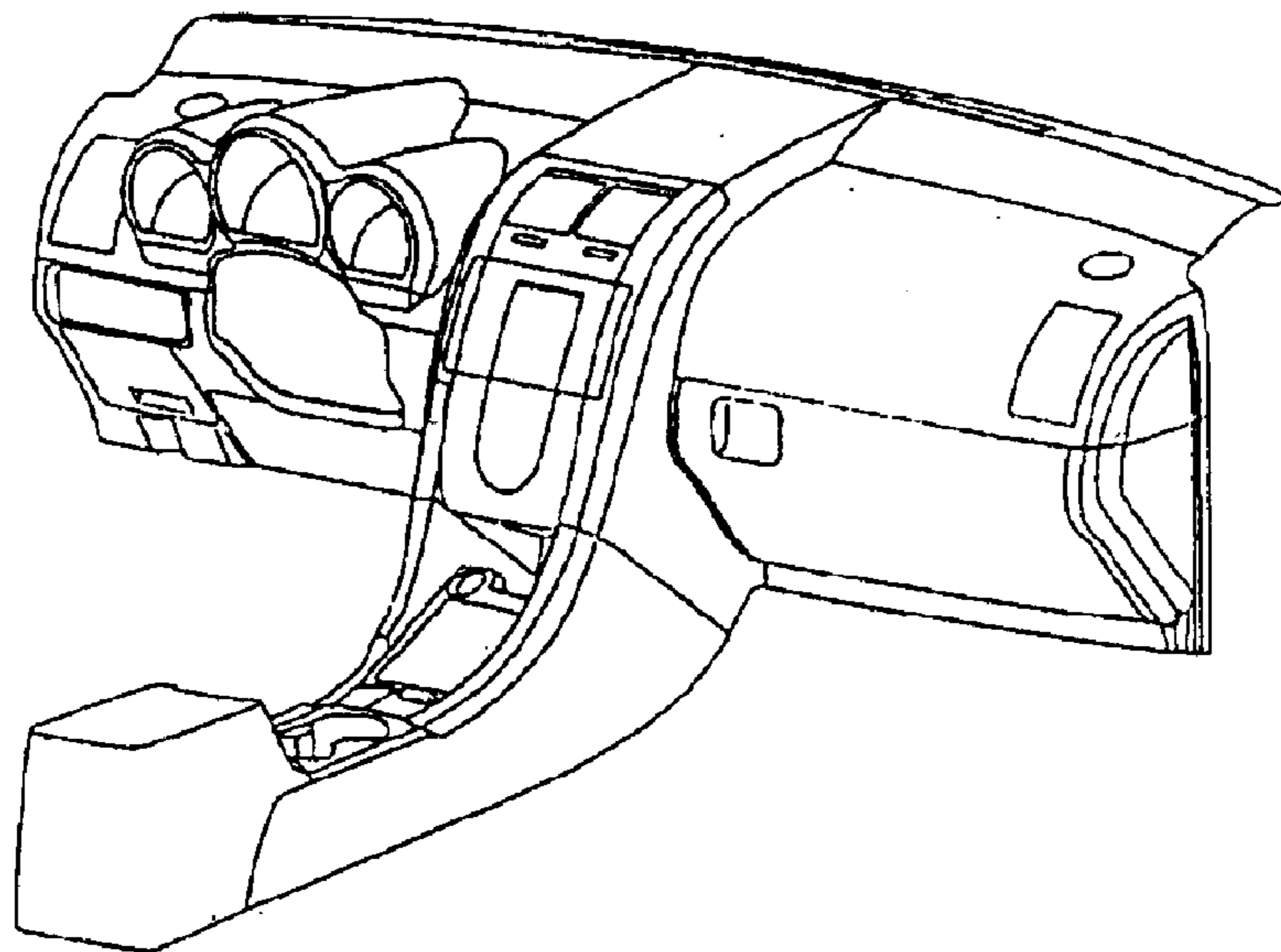


FIG. 1

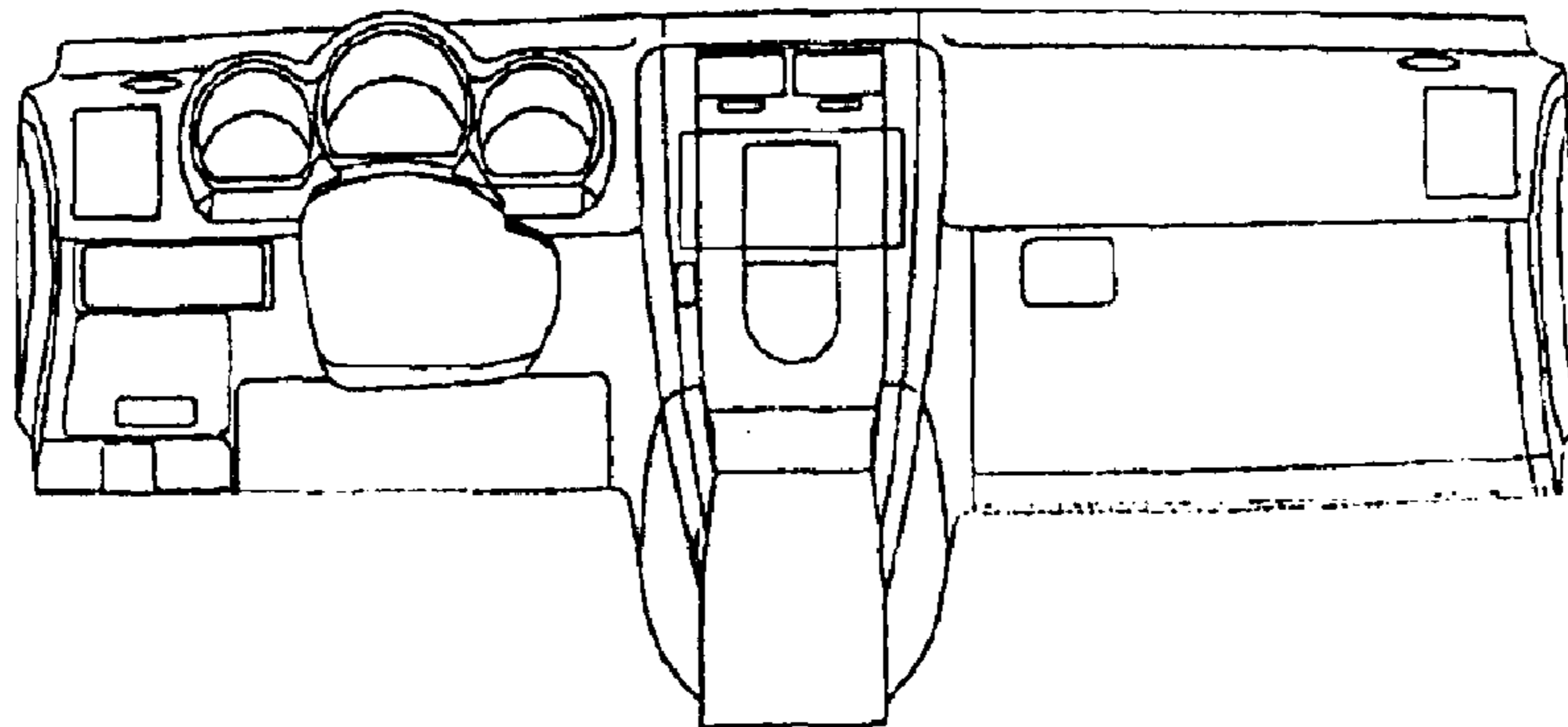


FIG. 2

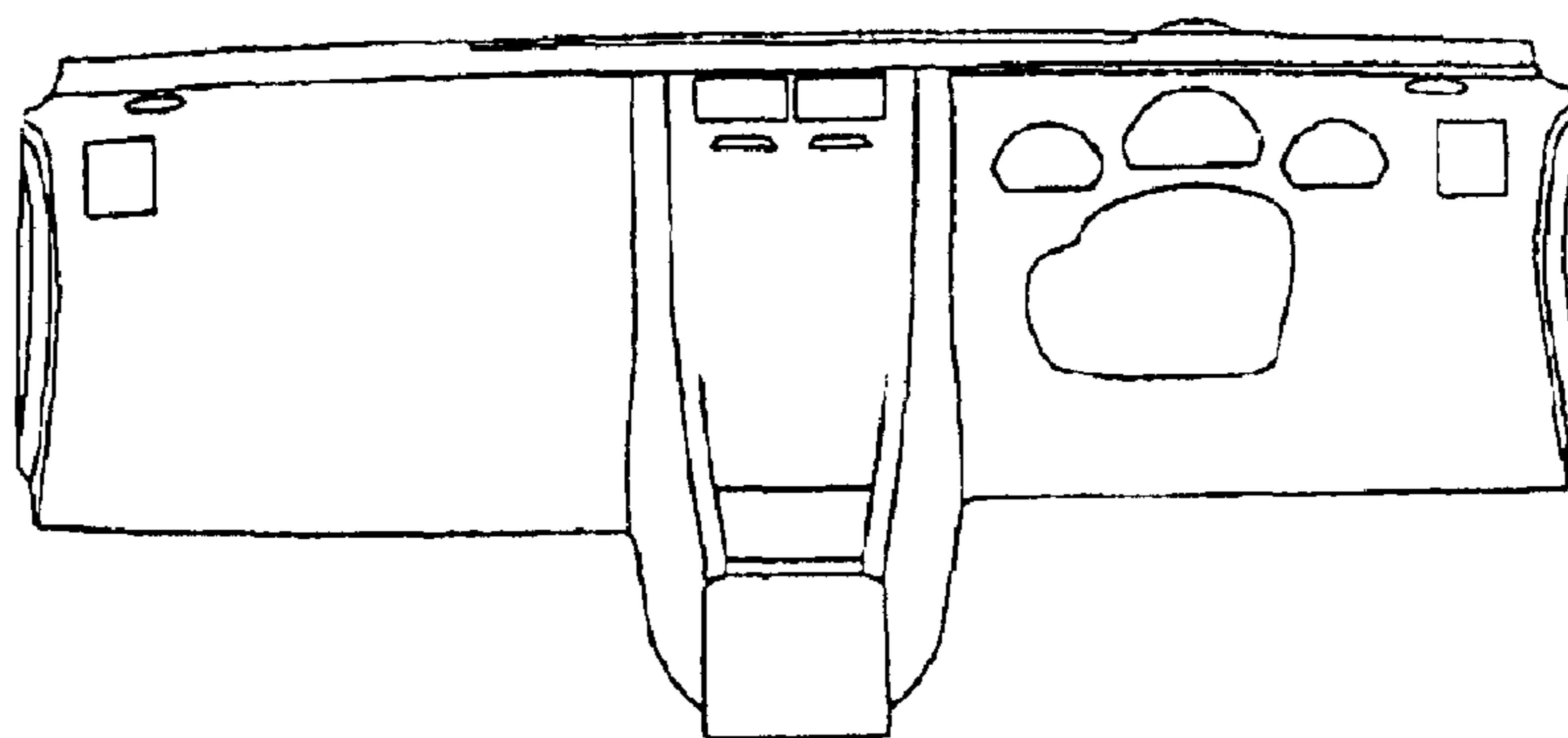


FIG. 3

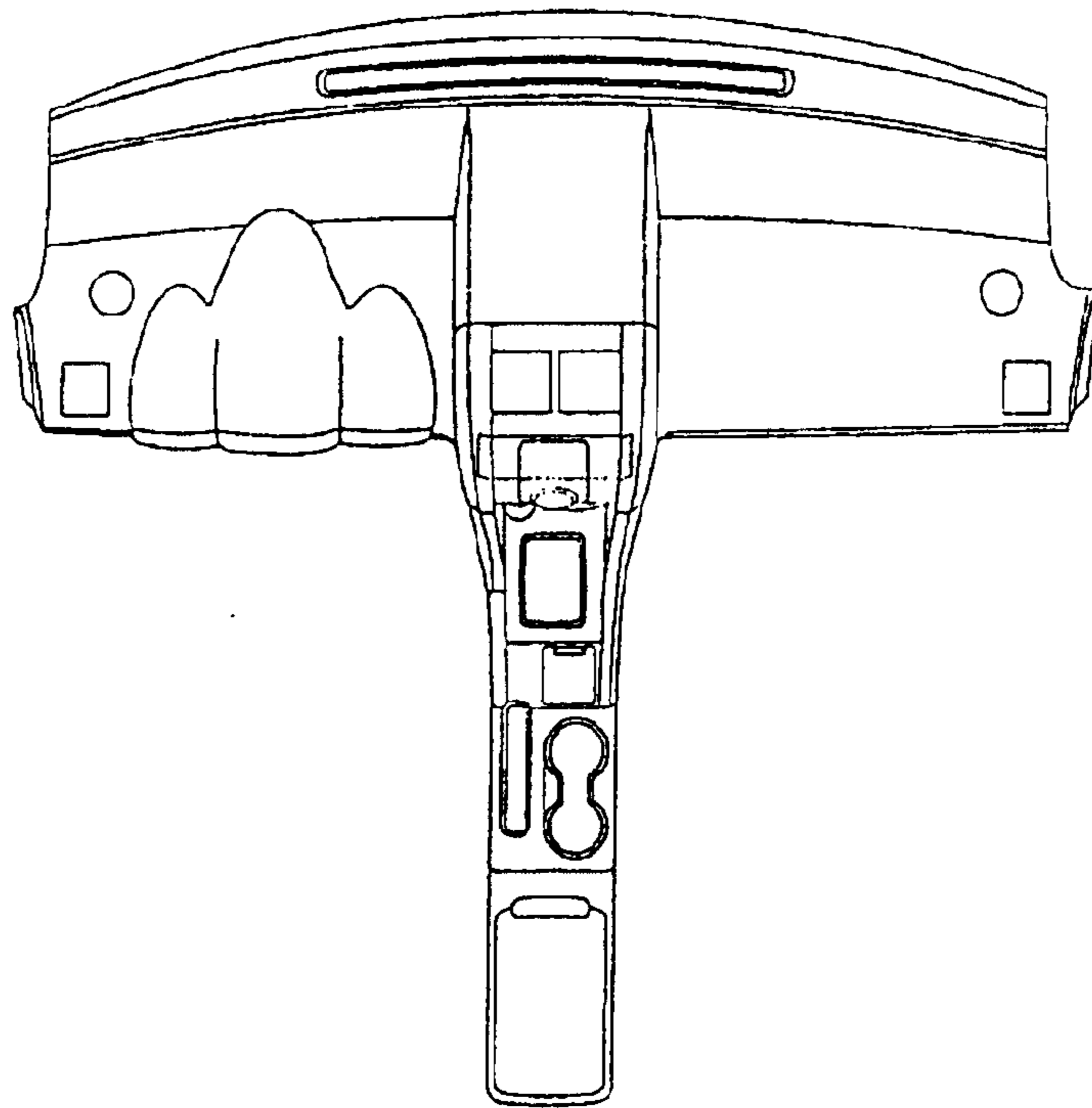


FIG. 4

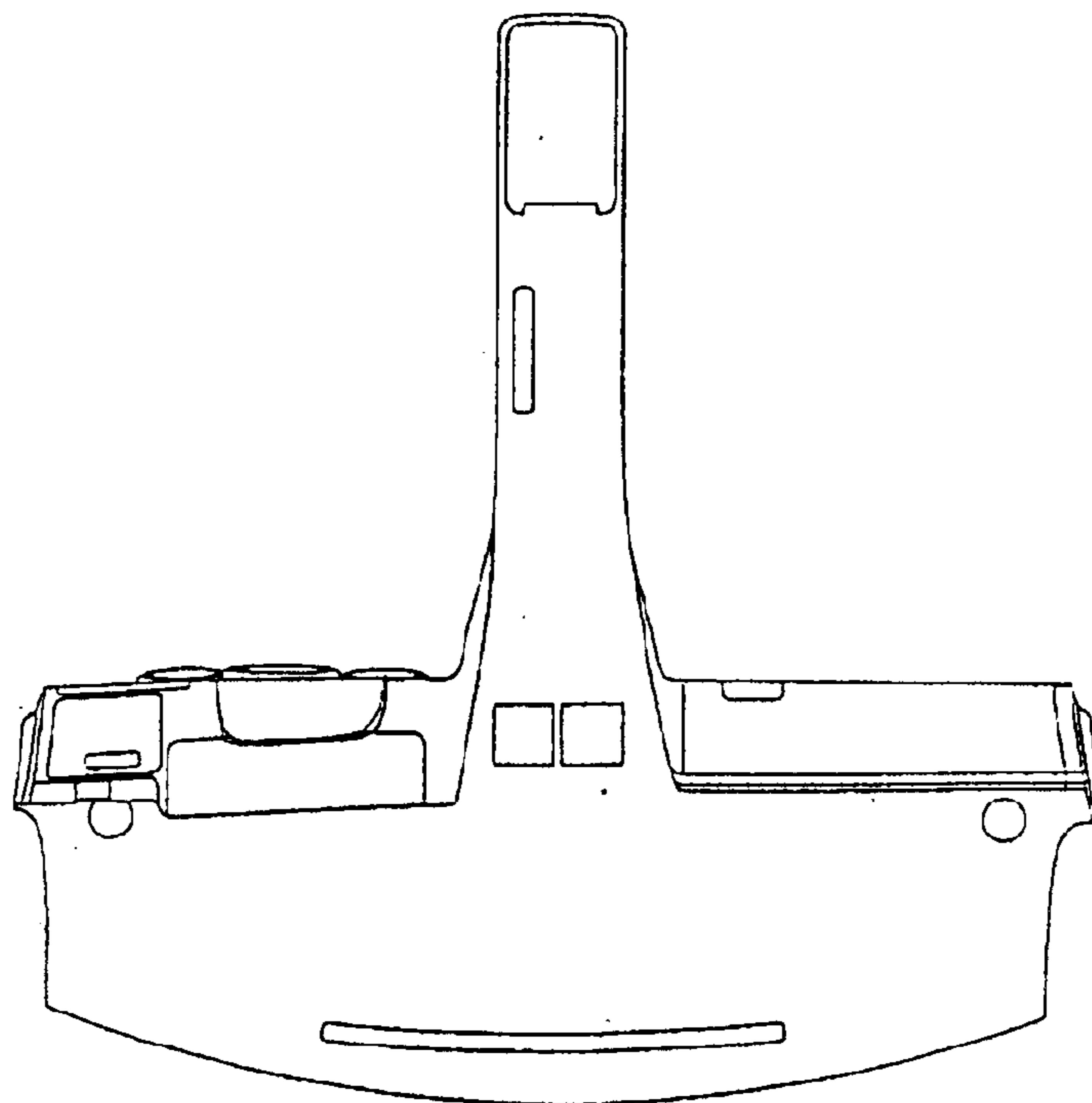


FIG. 5

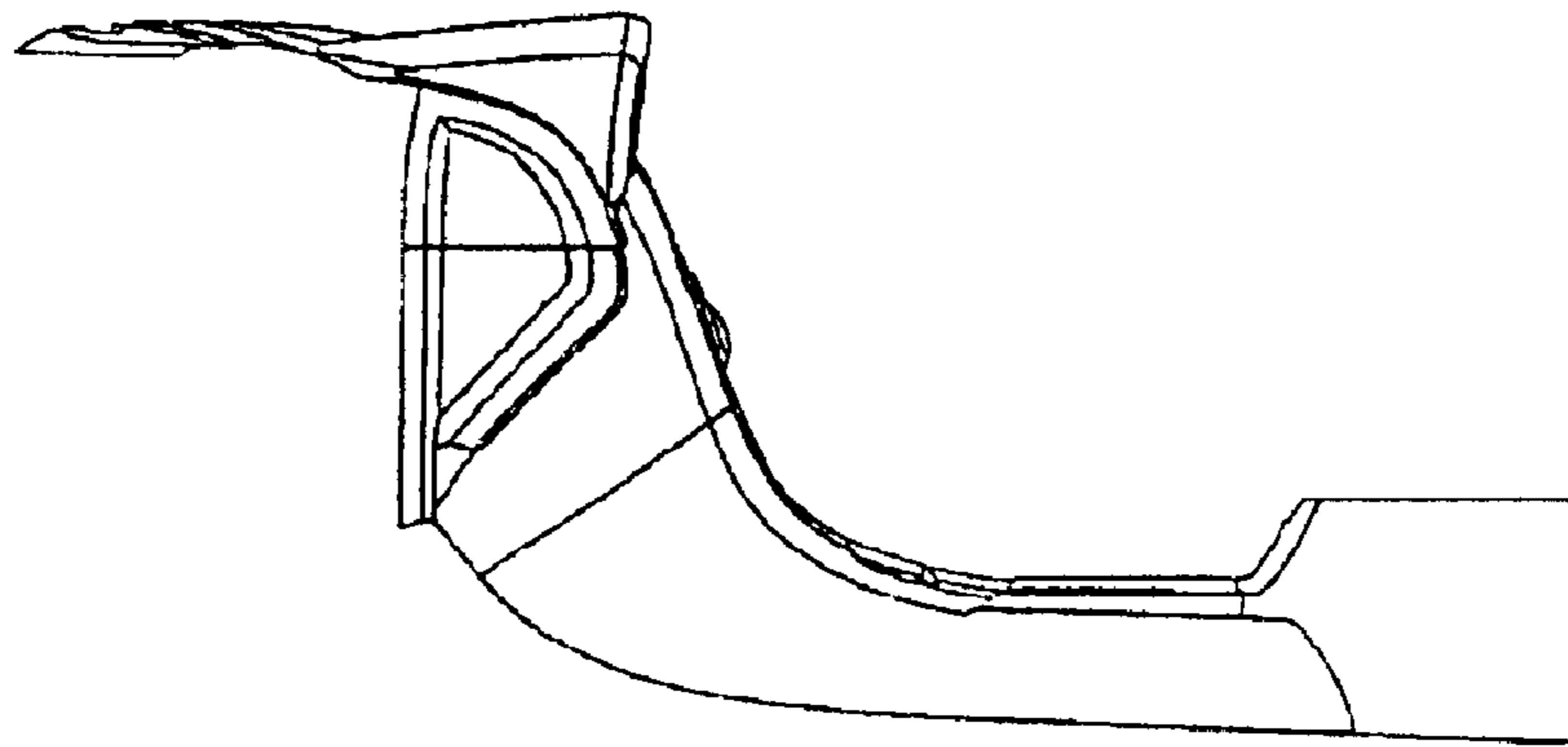


FIG. 6

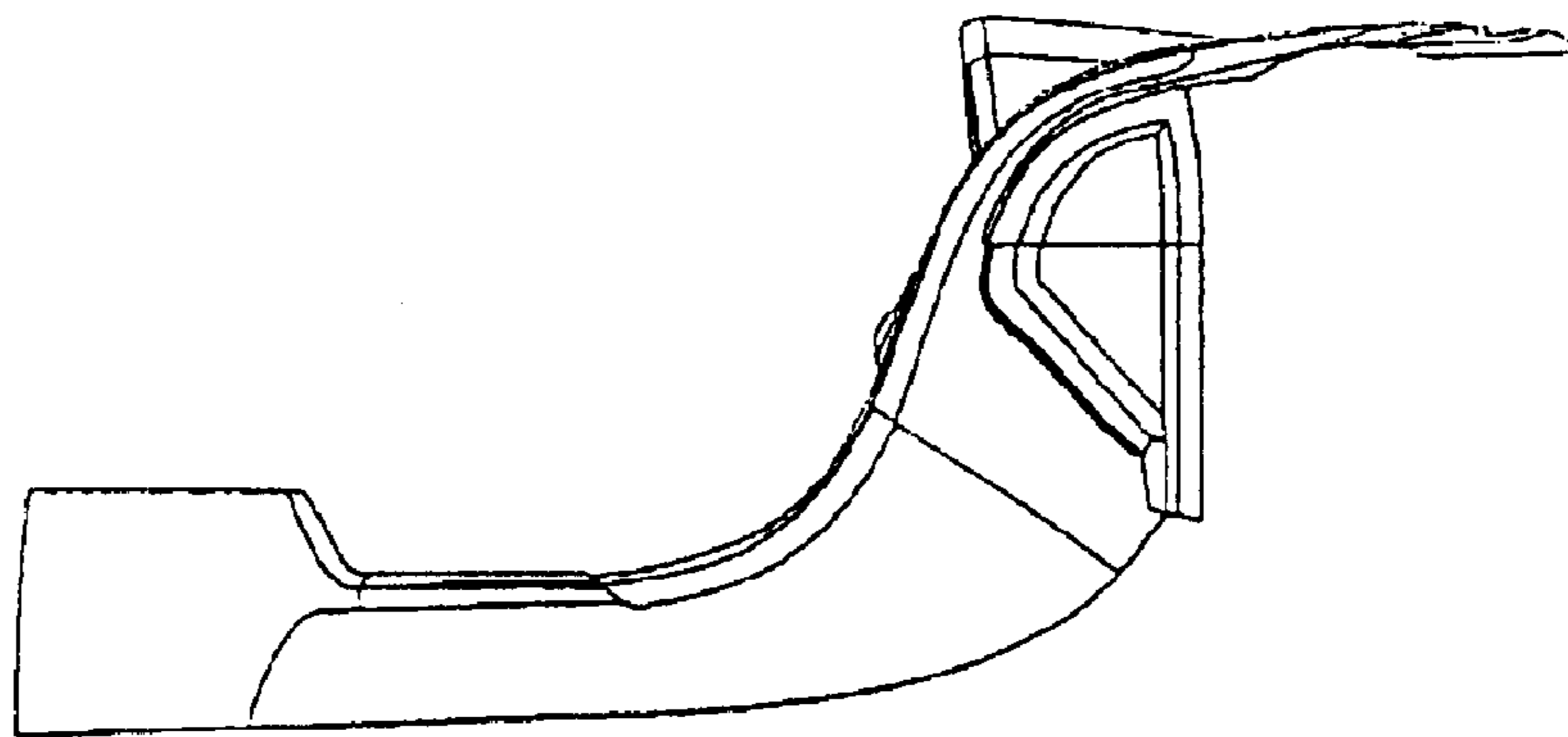


FIG. 7