

US00D501810S

(12) **United States Design Patent** (10) **Patent No.:** **US D501,810 S**
Ballou et al. (45) **Date of Patent:** **** Feb. 15, 2005**

(54) **DECORATIVE BUMPER**

(75) Inventors: **Daniel B. Ballou**, Salem, MA (US);
David S. McCue, Manchester, MA
(US); **Adam P. Stevens**, York, ME
(US)

(73) Assignee: **McCue Corporation**, Salem, MA (US)

(**) Term: **14 Years**

(21) Appl. No.: **29/207,782**

(22) Filed: **Jun. 18, 2004**

(51) **LOC (7) Cl.** **12-16**

(52) **U.S. Cl.** **D12/169**

(58) **Field of Search** D12/169, 196,
D12/190, 90-92, 171, 100; 296/180.1, 180.2;
293/102, 113, 115, 120

(56) **References Cited**

U.S. PATENT DOCUMENTS

- D311,894 S * 11/1990 Hensley et al. D12/169
- D319,616 S * 9/1991 Thompson et al. D12/196
- D324,017 S * 2/1992 Malmgren et al. D12/169
- D327,242 S * 6/1992 Falck et al. D12/169
- D402,603 S * 12/1998 Witkowski D12/169

* cited by examiner

Primary Examiner—Melody N. Brown
(74) *Attorney, Agent, or Firm*—Lahive & Cockfield, LLP

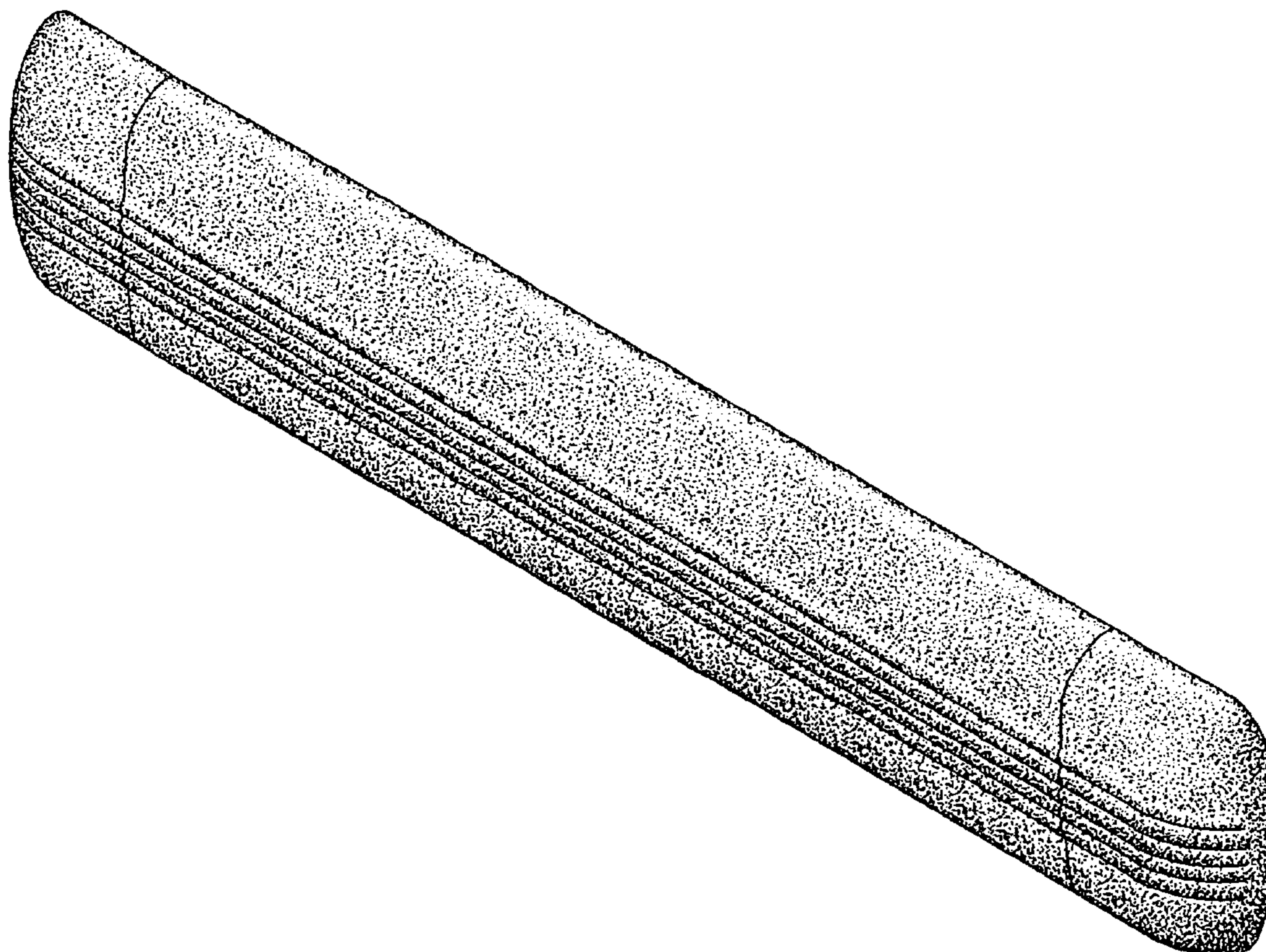
(57) **CLAIM**

The ornamental design for a decorative bumper, as shown and described.

DESCRIPTION

FIG. 1 is a perspective view of a decorative bumper according to our new design;
 FIG. 2 is a front view thereof;
 FIG. 3 is a top view thereof;
 FIG. 4 is an end view thereof;
 FIG. 5 is a perspective view of a second embodiment of a decorative bumper according to our new design;
 FIG. 6 is a front view thereof;
 FIG. 7 is a top view thereof;
 FIG. 8 is an end view thereof;
 FIG. 9 is a perspective view of a third embodiment of a decorative bumper according to our new design;
 FIG. 10 is a front view thereof;
 FIG. 11 is a top view thereof;
 FIG. 12 is an end view thereof; and,
 FIG. 13 is a perspective view of the decorative bumper shown in use mounted on a surface having a corner.

1 Claim, 10 Drawing Sheets



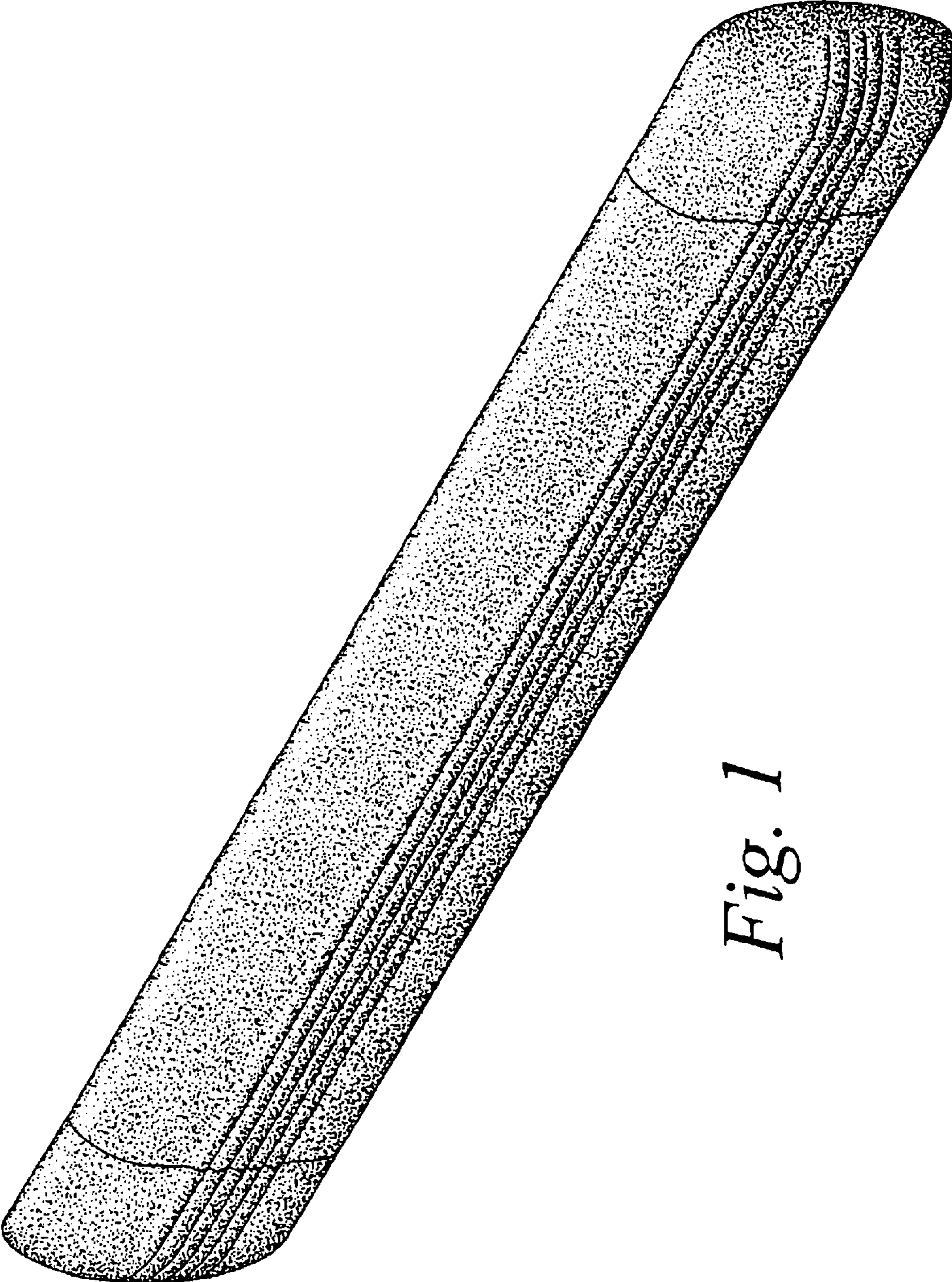


Fig. 1

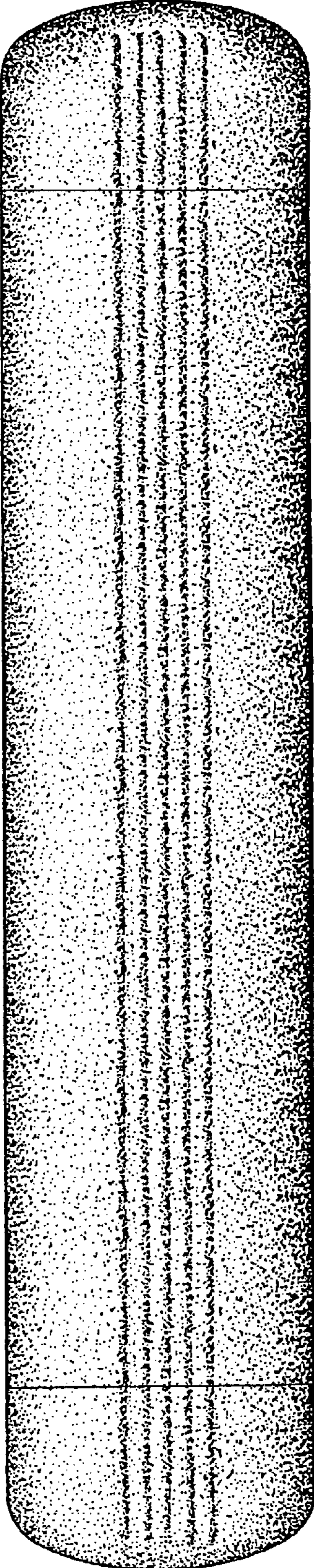


Fig. 2

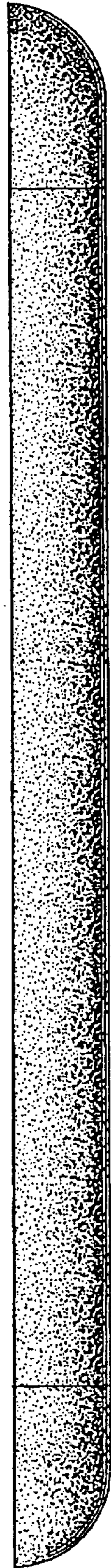


Fig. 3

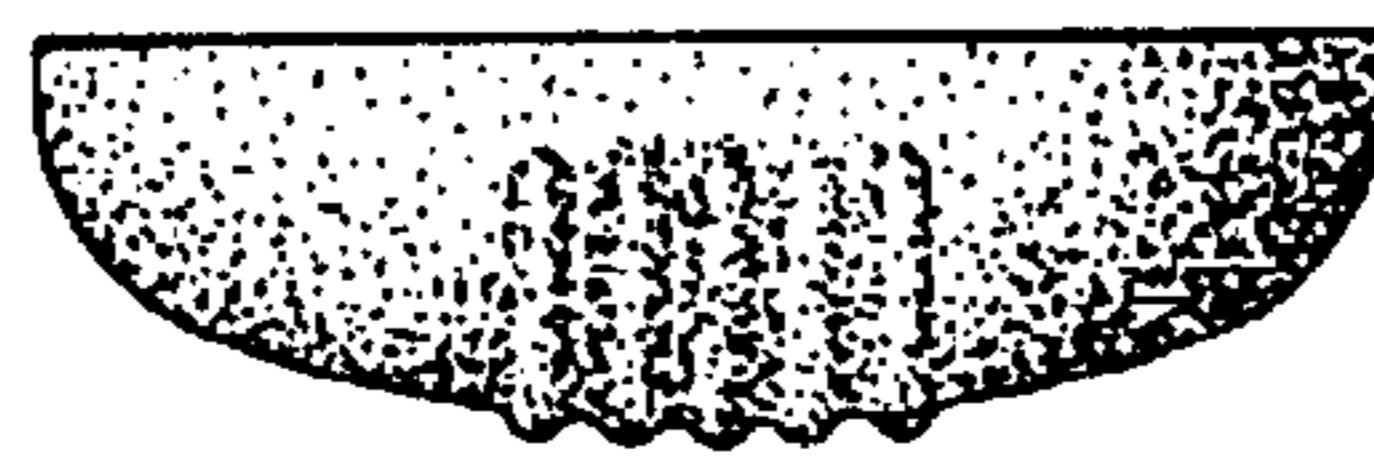


Fig. 4

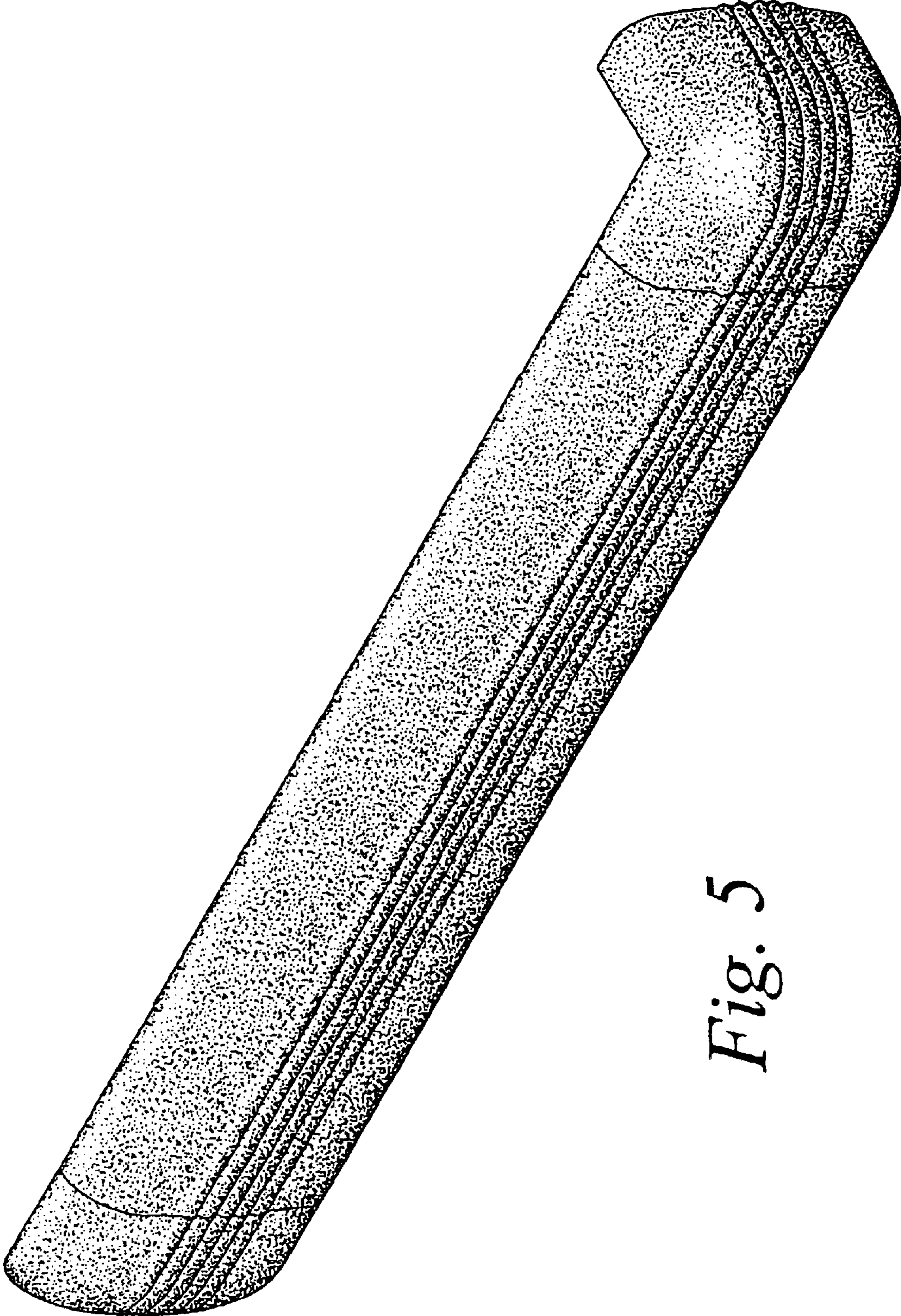


Fig. 5

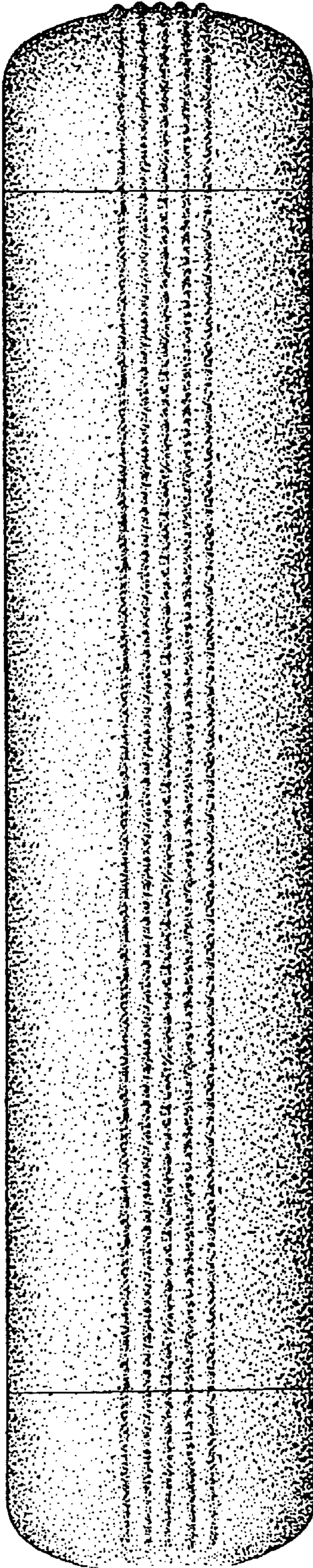


Fig. 6

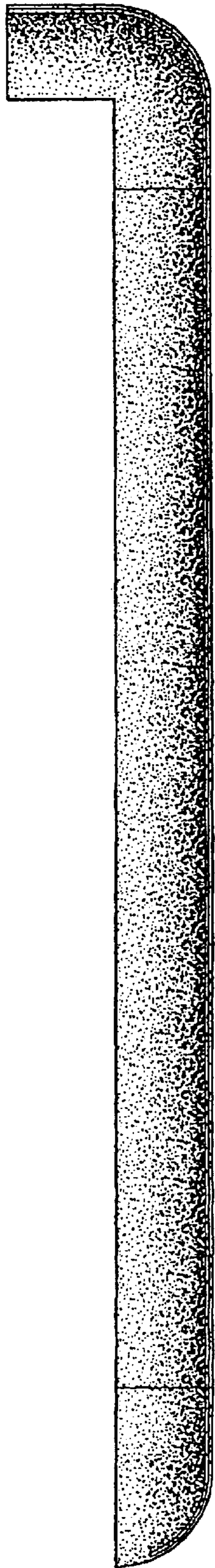


Fig. 7

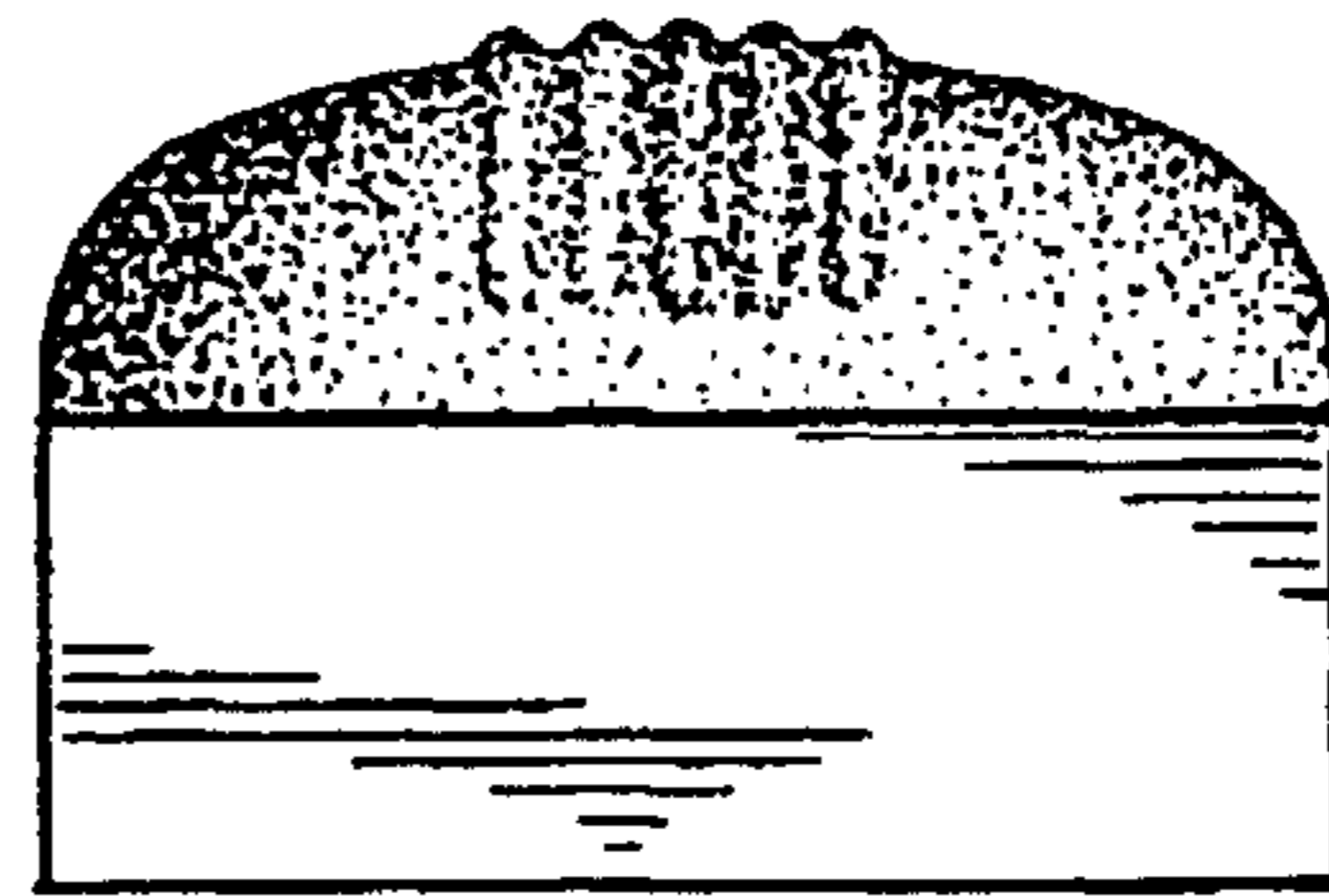


Fig. 8

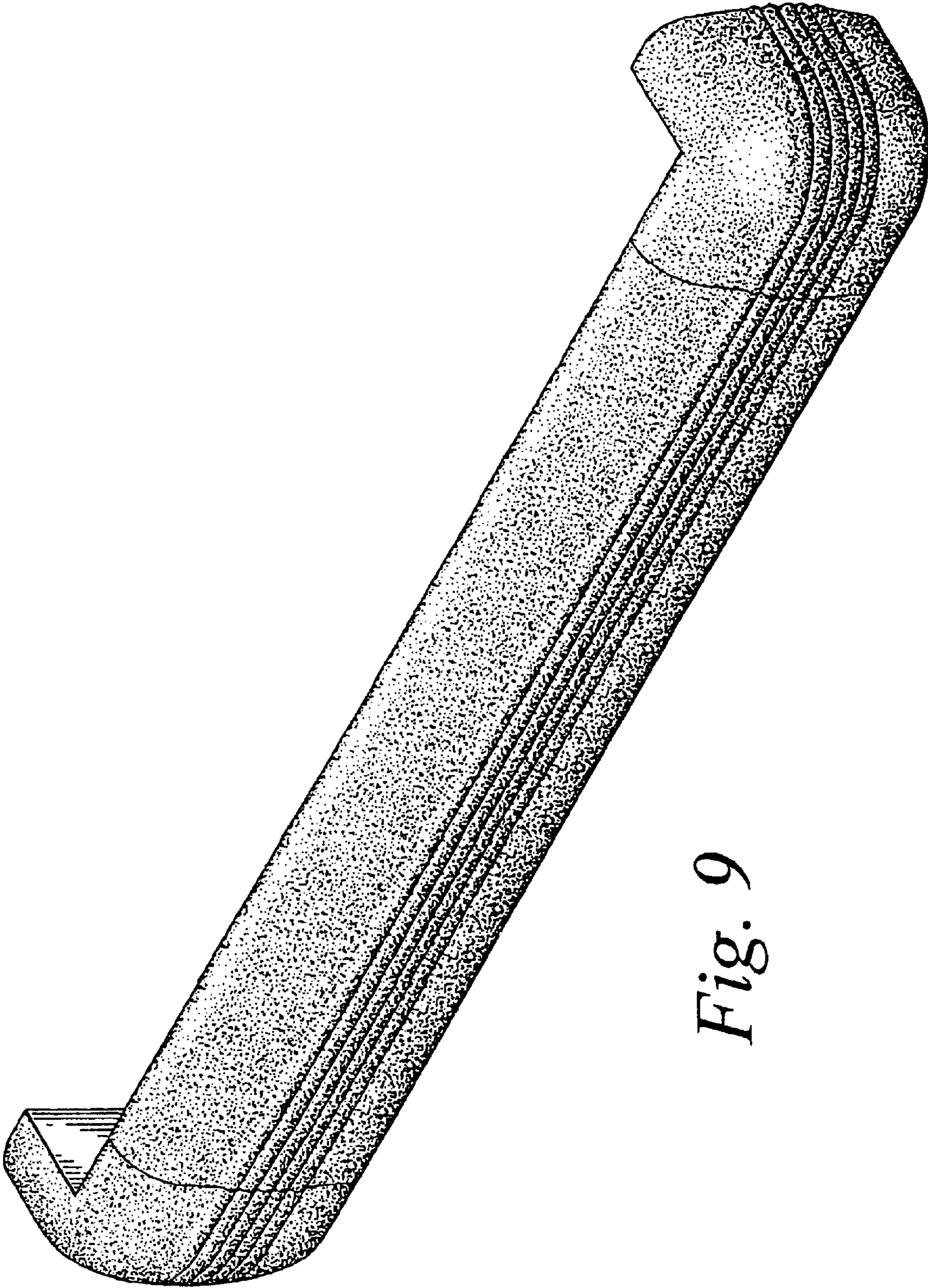


Fig. 9

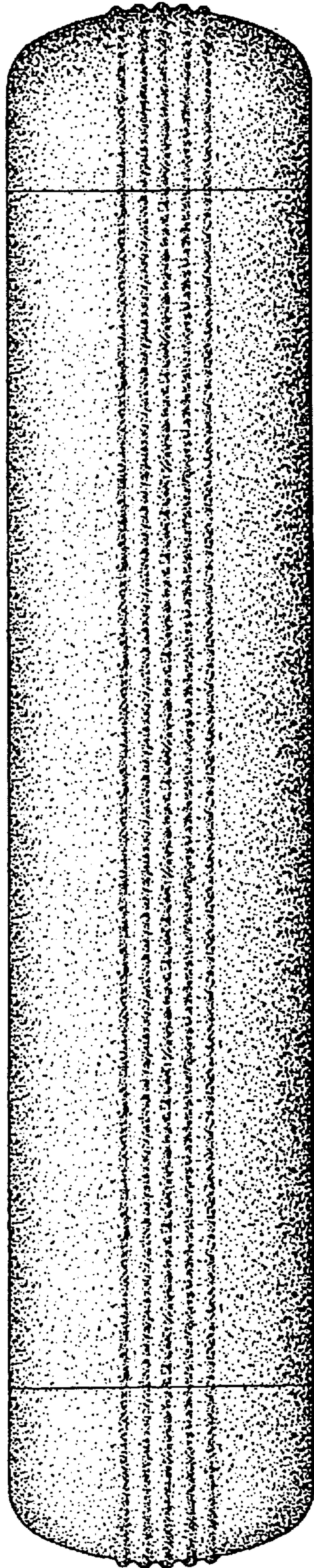


Fig. 10

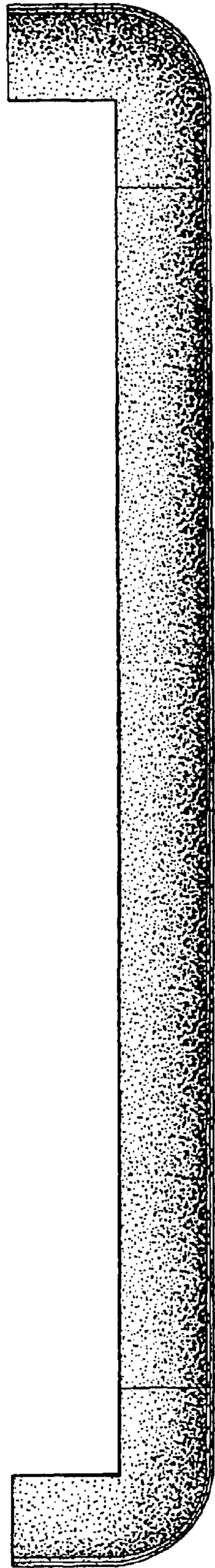


Fig. 11

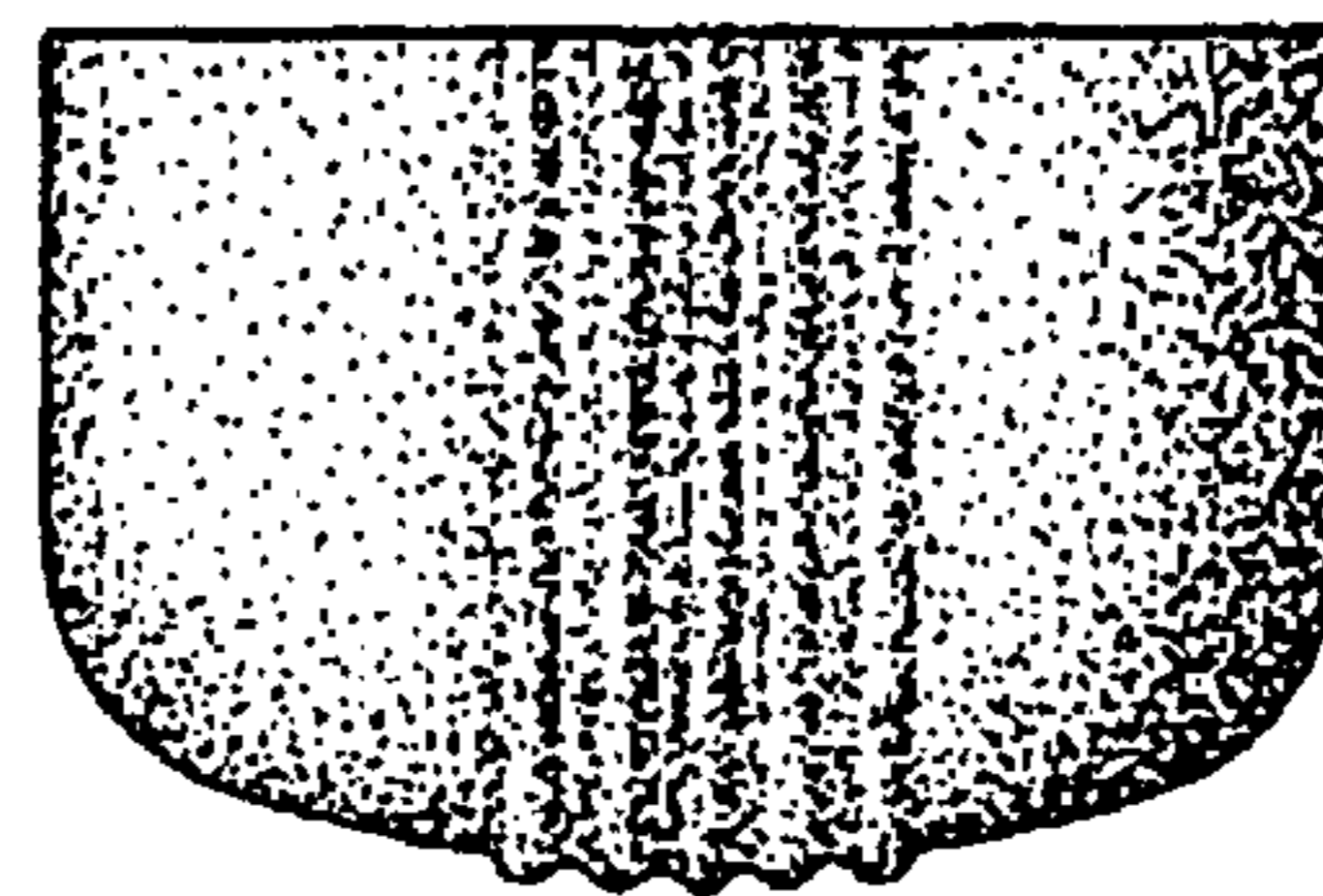


Fig. 12

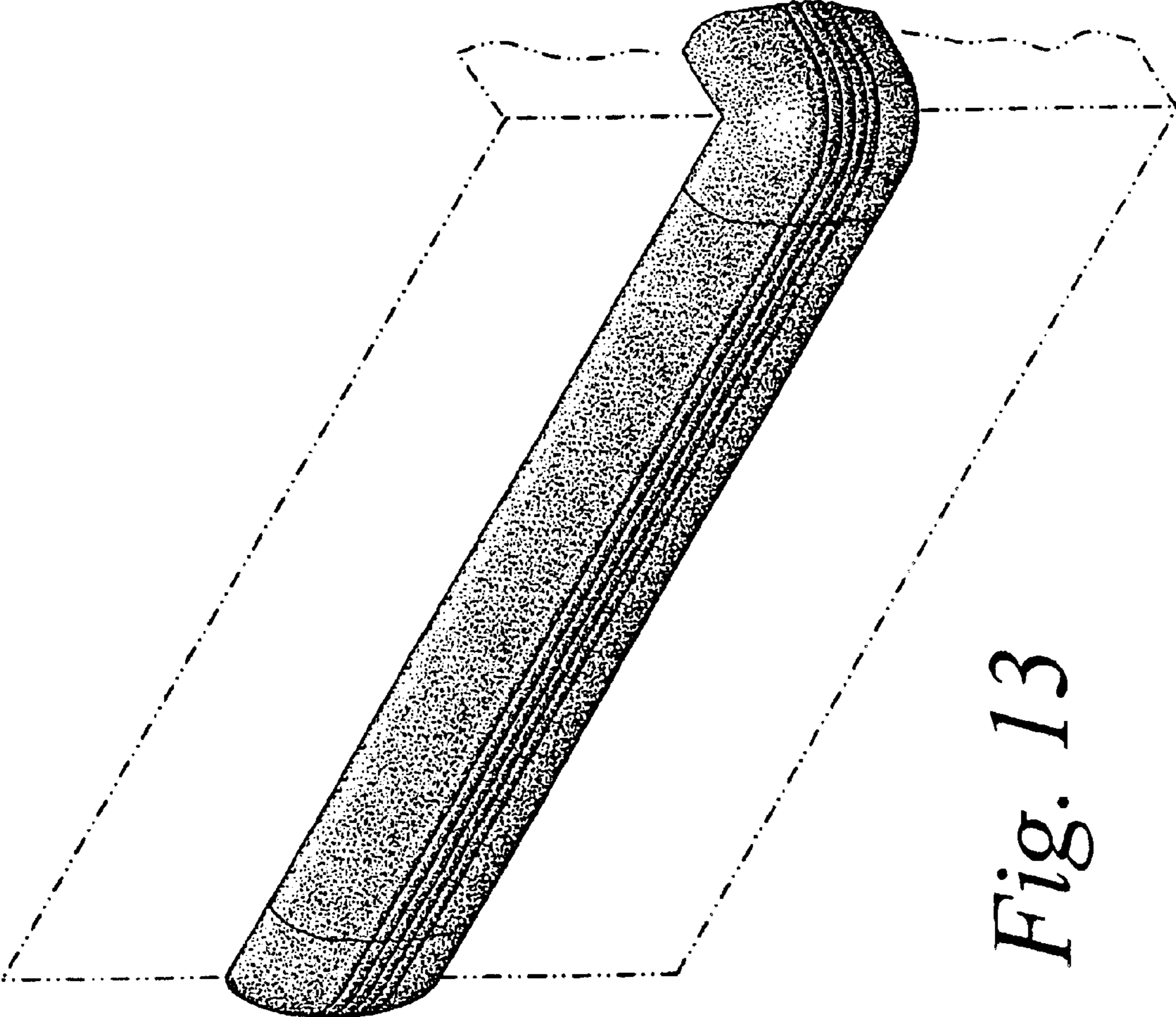


Fig. 13