

US00D501807S

(12) **United States Design Patent**
Williamson

(10) **Patent No.:** **US D501,807 S**

(45) **Date of Patent:** **** *Feb. 15, 2005**

(54) **PATIENT CARRIER**

D401,191 S * 11/1998 Gagnon D12/131

(76) Inventor: **William P. Williamson**, 7513 State Hwy. 243, Kaufman, TX (US) 75142

* cited by examiner

Primary Examiner—Marcus A. Jackson

(*) Notice: This patent is subject to a terminal disclaimer.

(57) **CLAIM**

(**) Term: **14 Years**

We claim the ornamental design for the patient carrier, as shown and described.

(21) Appl. No.: **29/141,490**

DESCRIPTION

(22) Filed: **May 7, 2001**

(51) **LOC (7) Cl.** **12-12**

(52) **U.S. Cl.** **D12/131**

(58) **Field of Search** D12/128-133;
280/246, 250.1, 304.1; 180/6.5, 65.1, 65.6,
907, 908; 297/DIG. 4

FIG. 1 is a frontward perspective view of a patient carrier showing our new design;

FIG. 2 is a rearward perspective view thereof;

FIG. 3 is a top plan view thereof;

FIG. 4 is a bottom plan view thereof;

FIG. 5 is a right side elevational view thereof, the left side elevational view being the same as the right side elevational view; and,

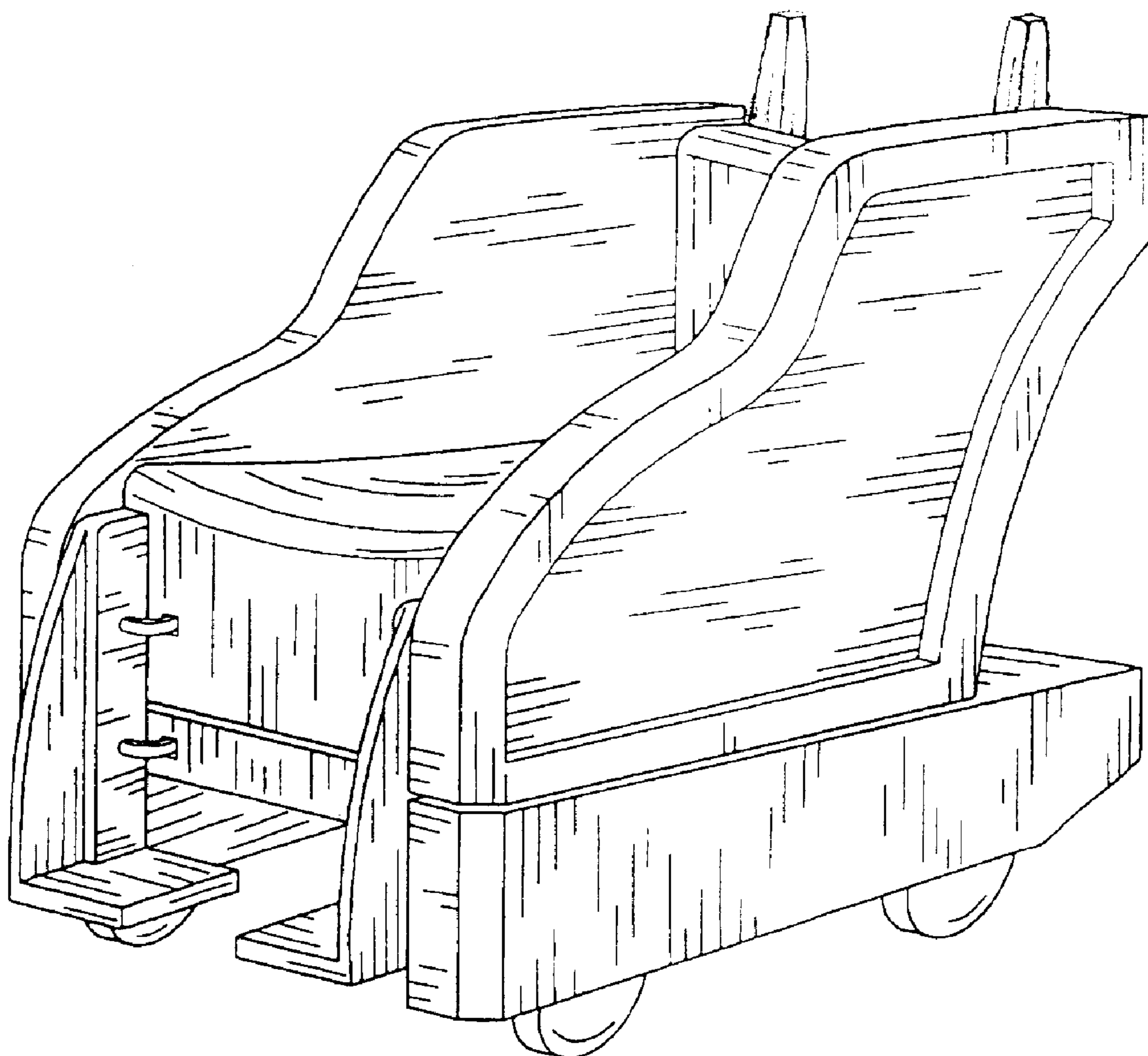
FIG. 6 is a rear elevational view.

(56) **References Cited**

U.S. PATENT DOCUMENTS

D341,556 S * 11/1993 Jarke D12/131

1 Claim, 4 Drawing Sheets



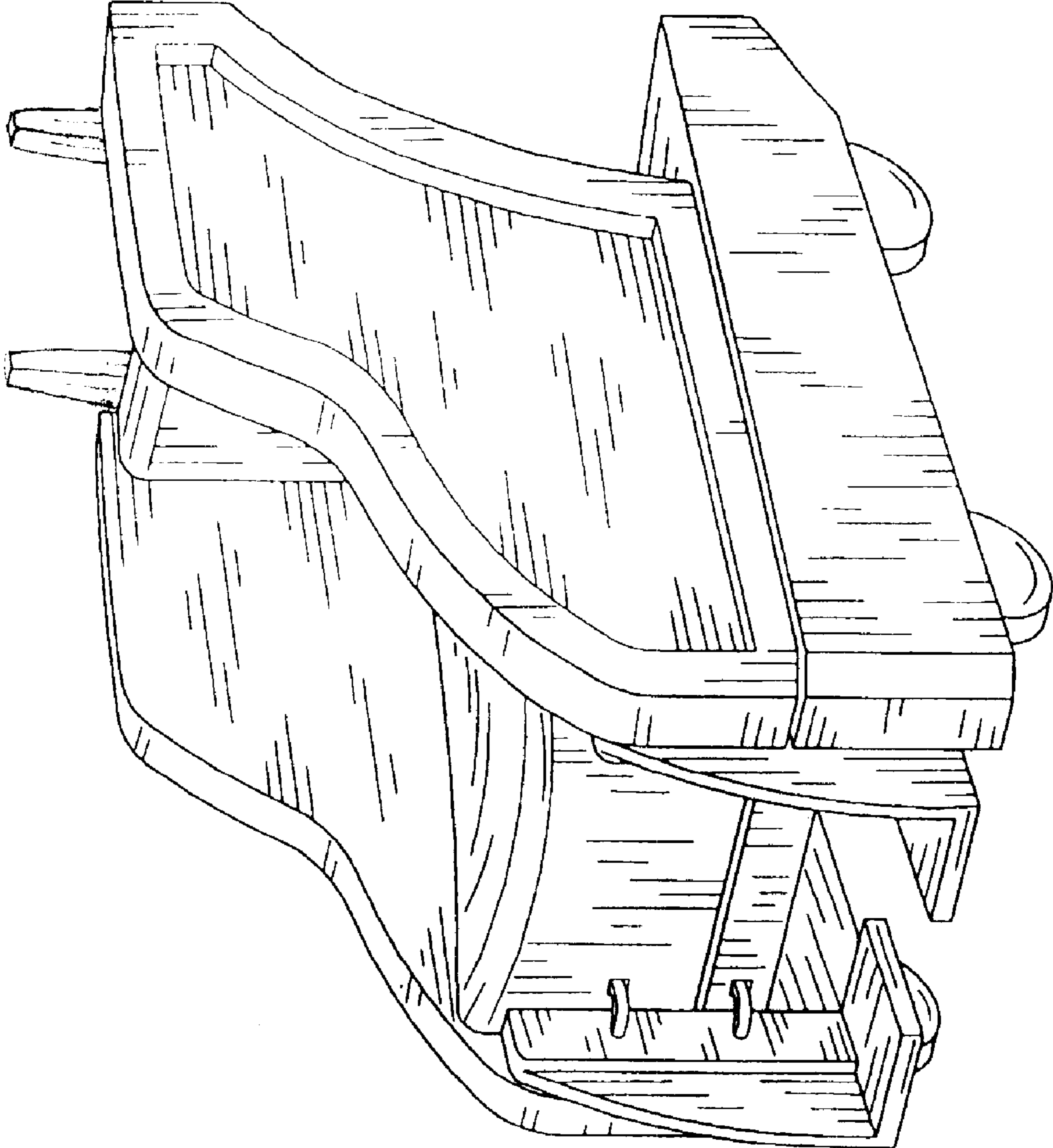


FIG. 1

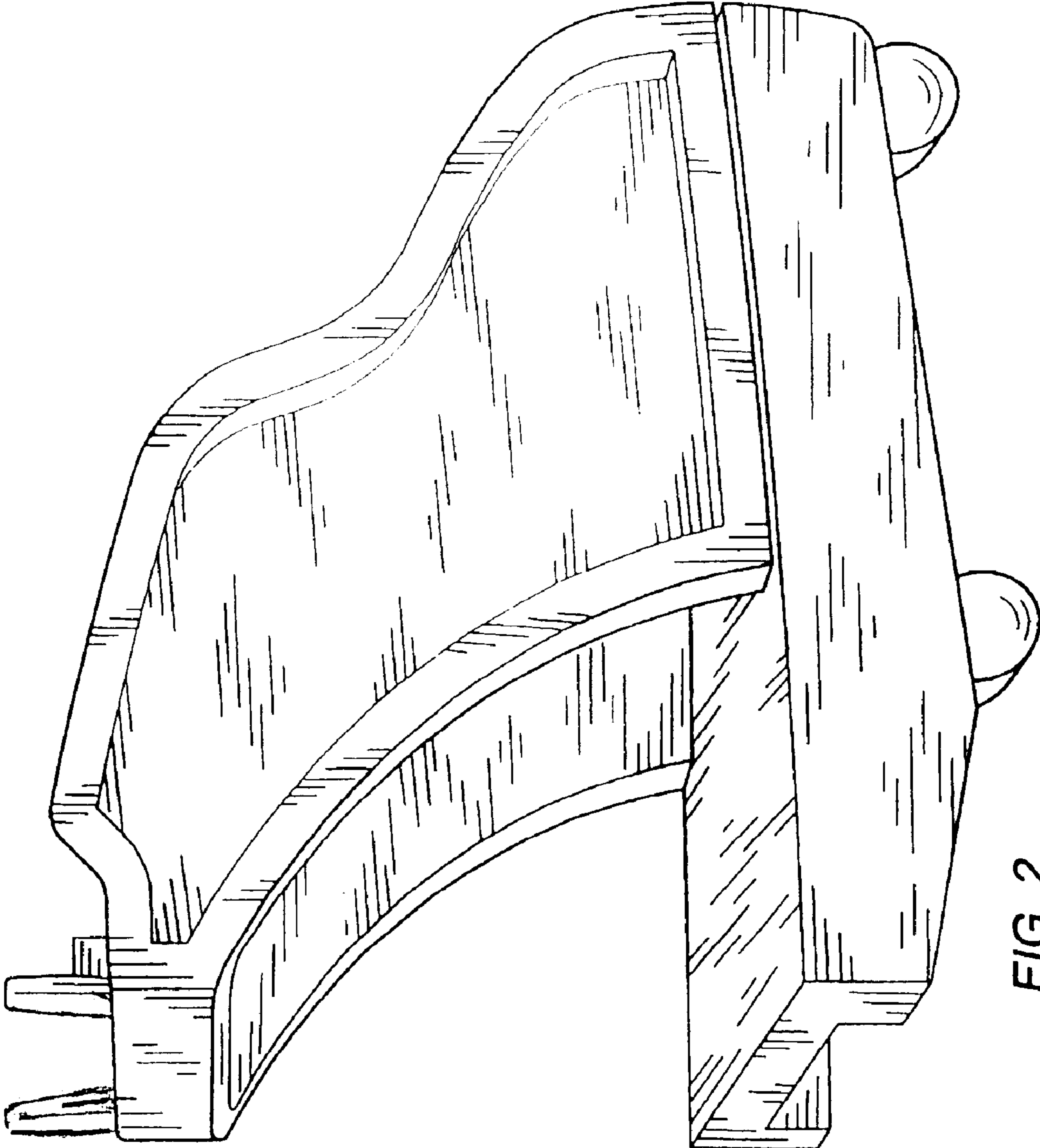


FIG. 2

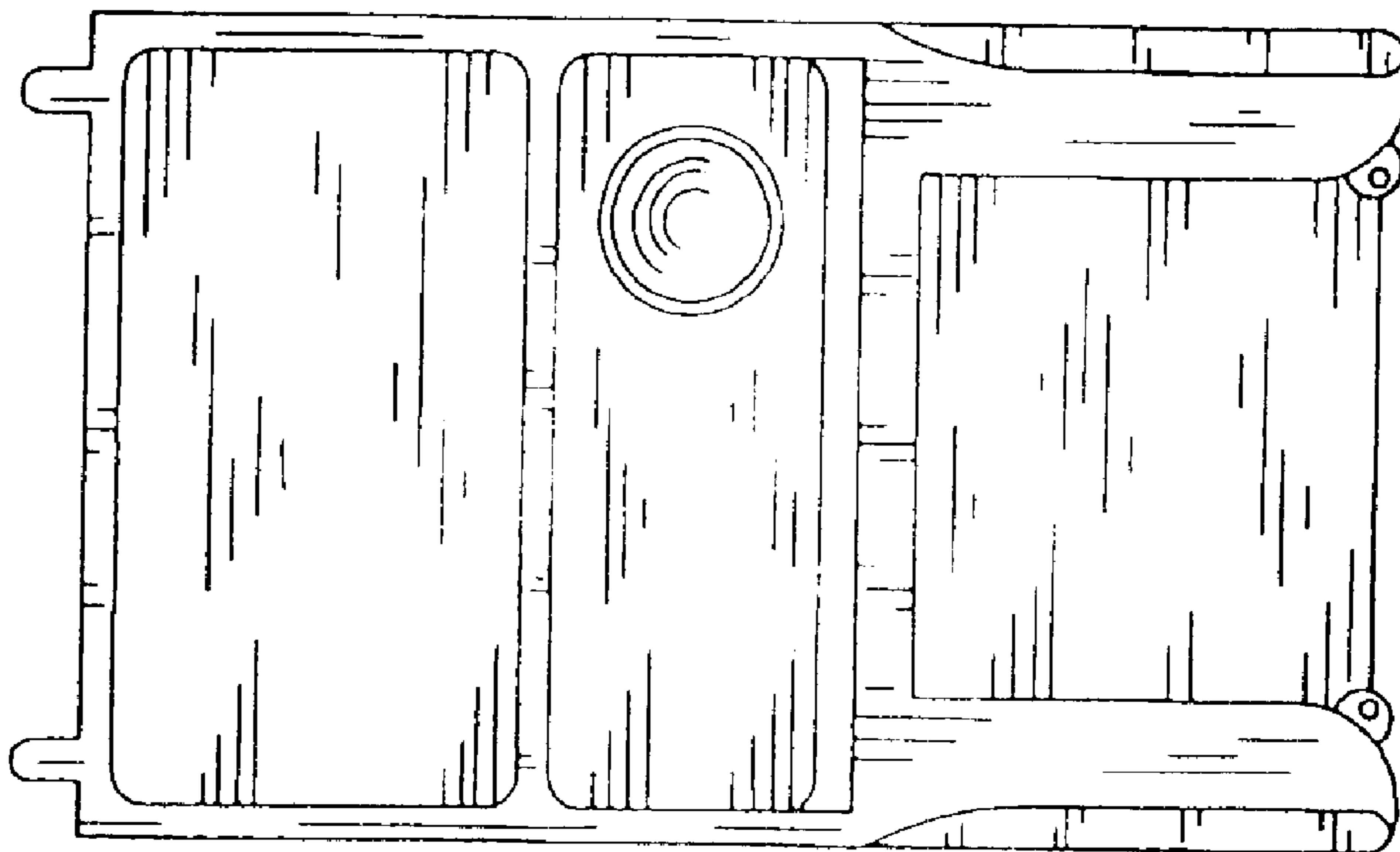


FIG. 3

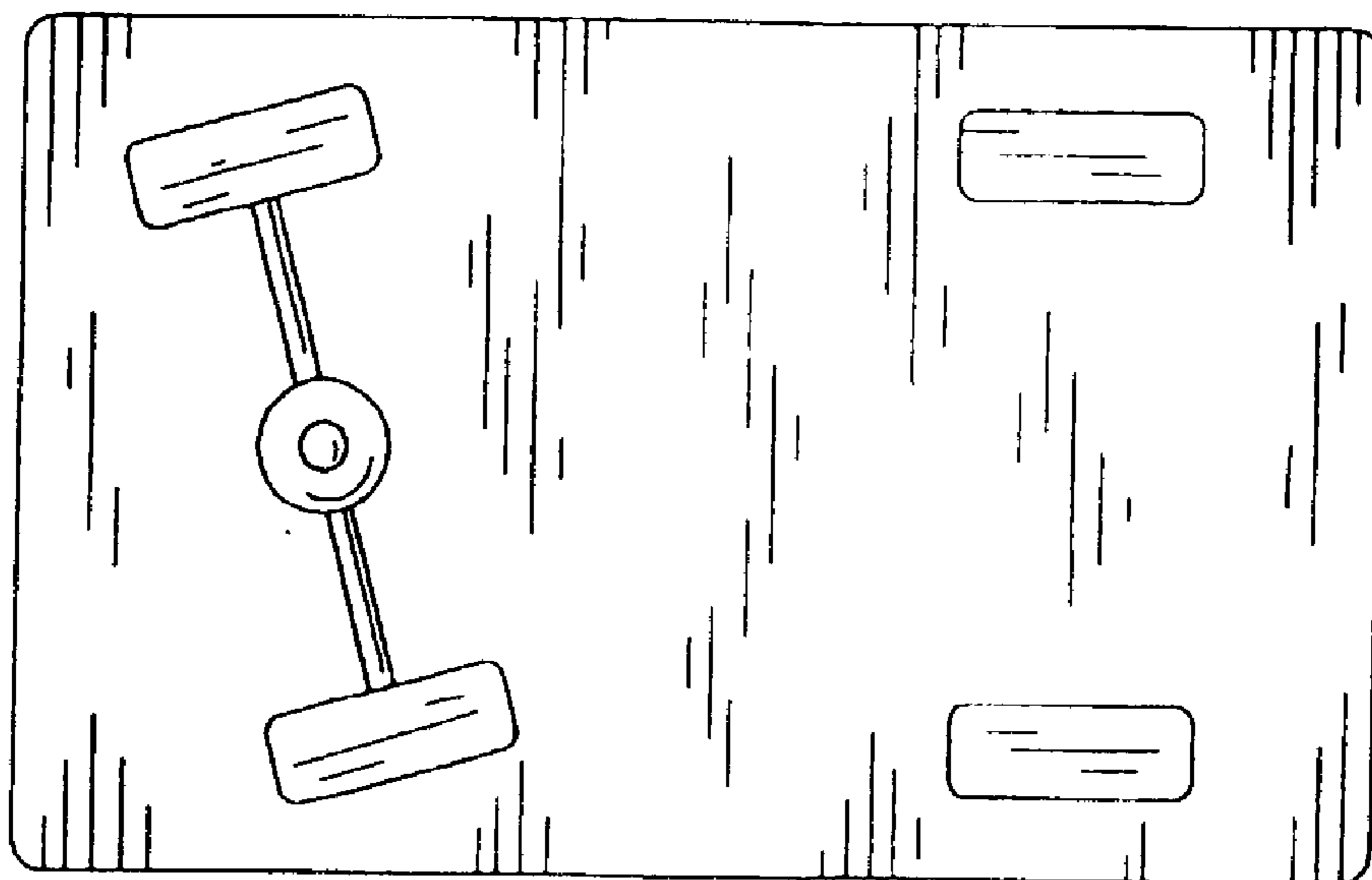


FIG. 4

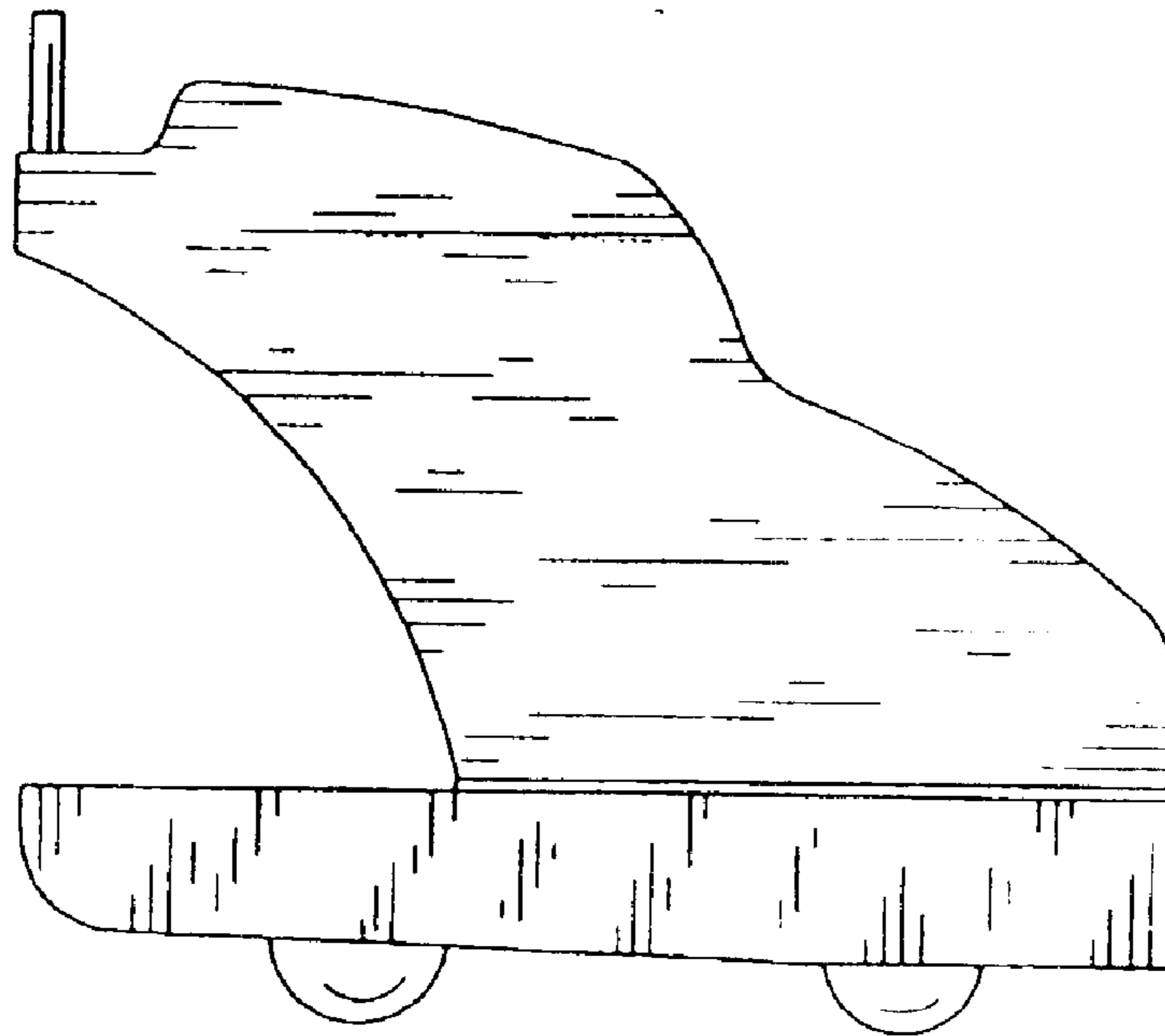


FIG. 5

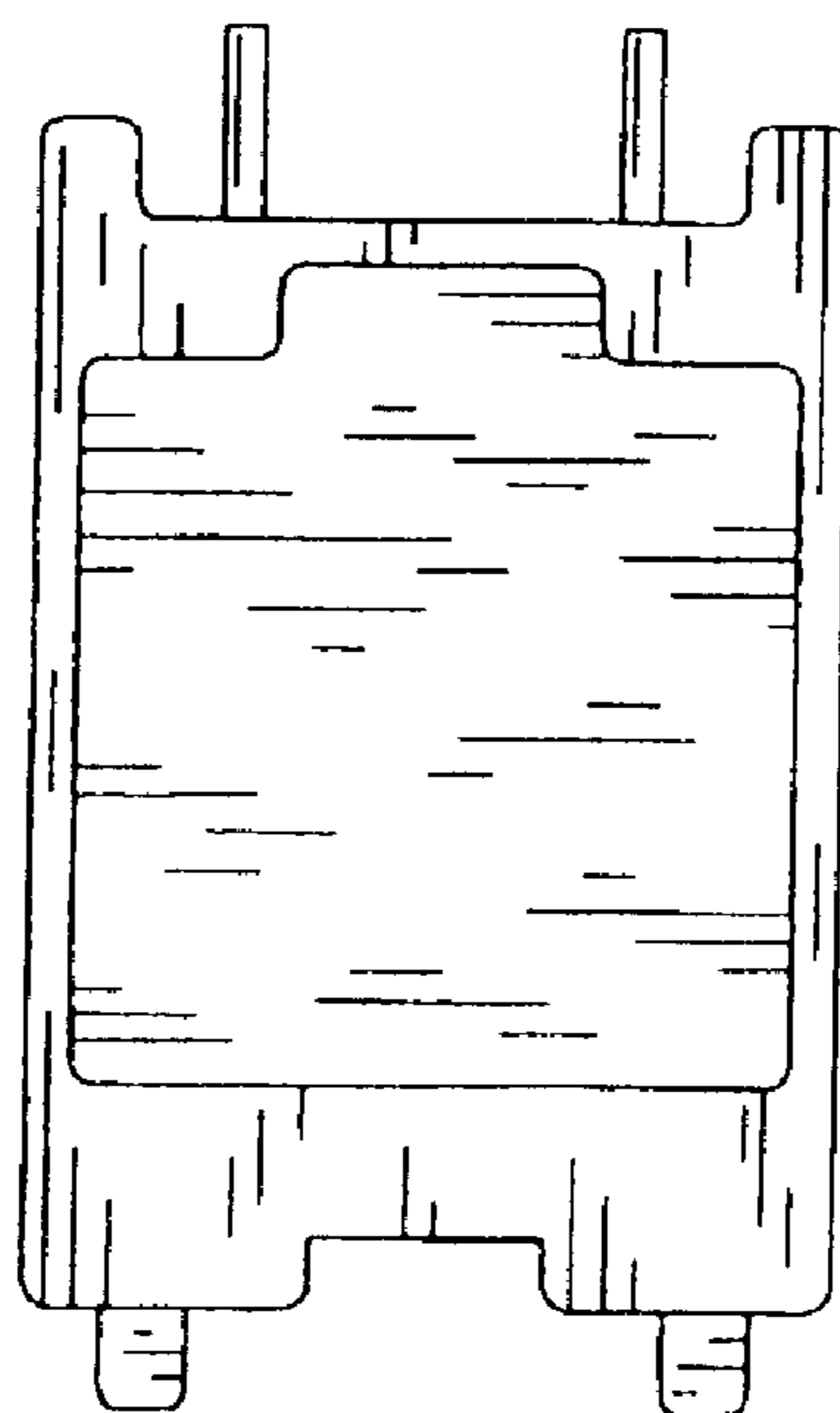


FIG. 6