



US00D501804S

(12) **United States Design Patent**
Tamura et al.

(10) **Patent No.:** **US D501,804 S**
(45) **Date of Patent:** **** Feb. 15, 2005**

(54) **SPEEDOMETER FOR A MOTORCYCLE**

4,848,154 A * 7/1989 Panzica 73/493
5,437,185 A * 8/1995 Panzica 73/493
6,546,807 B2 * 4/2003 Carrick 73/866.3

(75) Inventors: **Kenji Tamura, Wako (JP); Masamoto Ito, Wako (JP)**

* cited by examiner

(73) Assignee: **Honda Giken Kogyo Kabushiki Kaisha, Tokyo (JP)**

Primary Examiner—Antoine D Davis
(74) *Attorney, Agent, or Firm*—Birch, Stewart, Kolasch & Birch, LLP

(**) Term: **14 Years**

(57) **CLAIM**

(21) Appl. No.: **29/176,241**

The ornamental design for, speedometer for a motorcycle, as shown and described.

(22) Filed: **Feb. 21, 2003**

(30) **Foreign Application Priority Data**

Aug. 22, 2002 (JP) 2002-022420

DESCRIPTION

(51) **LOC (7) Cl.** **10-04**

(52) **U.S. Cl.** **D10/98**

(58) **Field of Search** D10/97-98; 73/493,
73/489, 866.3; 116/62.4, 280, 300

FIG. 1 is a front elevation view of speedometer for a motorcycle, showing our new design;
FIG. 2 is a rear elevation view thereof;
FIG. 3 is a top plan view thereof;
FIG. 4 is a bottom plan view of thereof;
FIG. 5 is a right side elevation view thereof;
FIG. 6 is a left side elevation view thereof;
FIG. 7 is a perspective view 1 thereof; and,
FIG. 8 is a perspective view 2 thereof.

(56) **References Cited**

U.S. PATENT DOCUMENTS

D279,975 S * 8/1985 Akira et al. D12/192

1 Claim, 4 Drawing Sheets

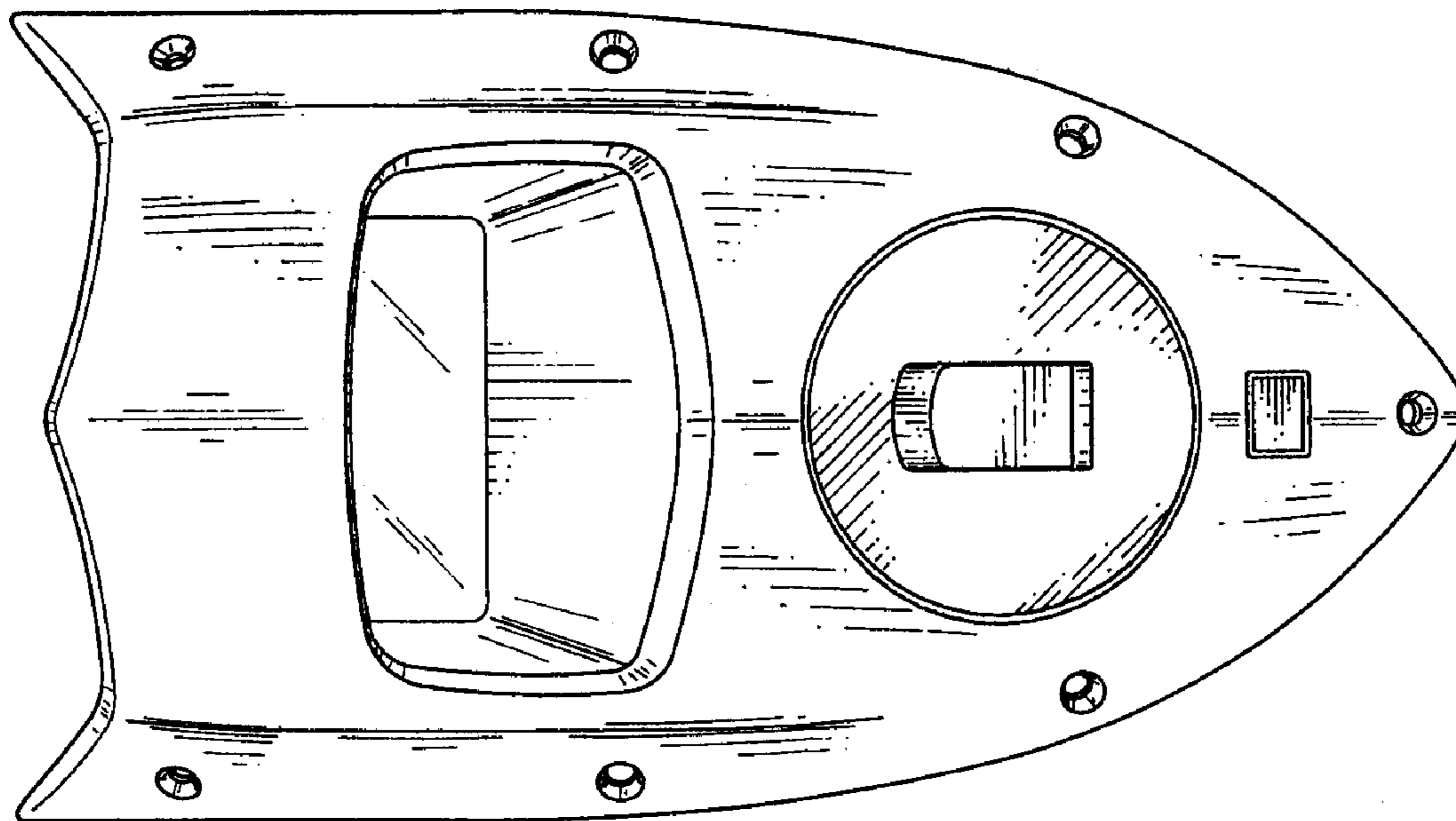


FIG. 1

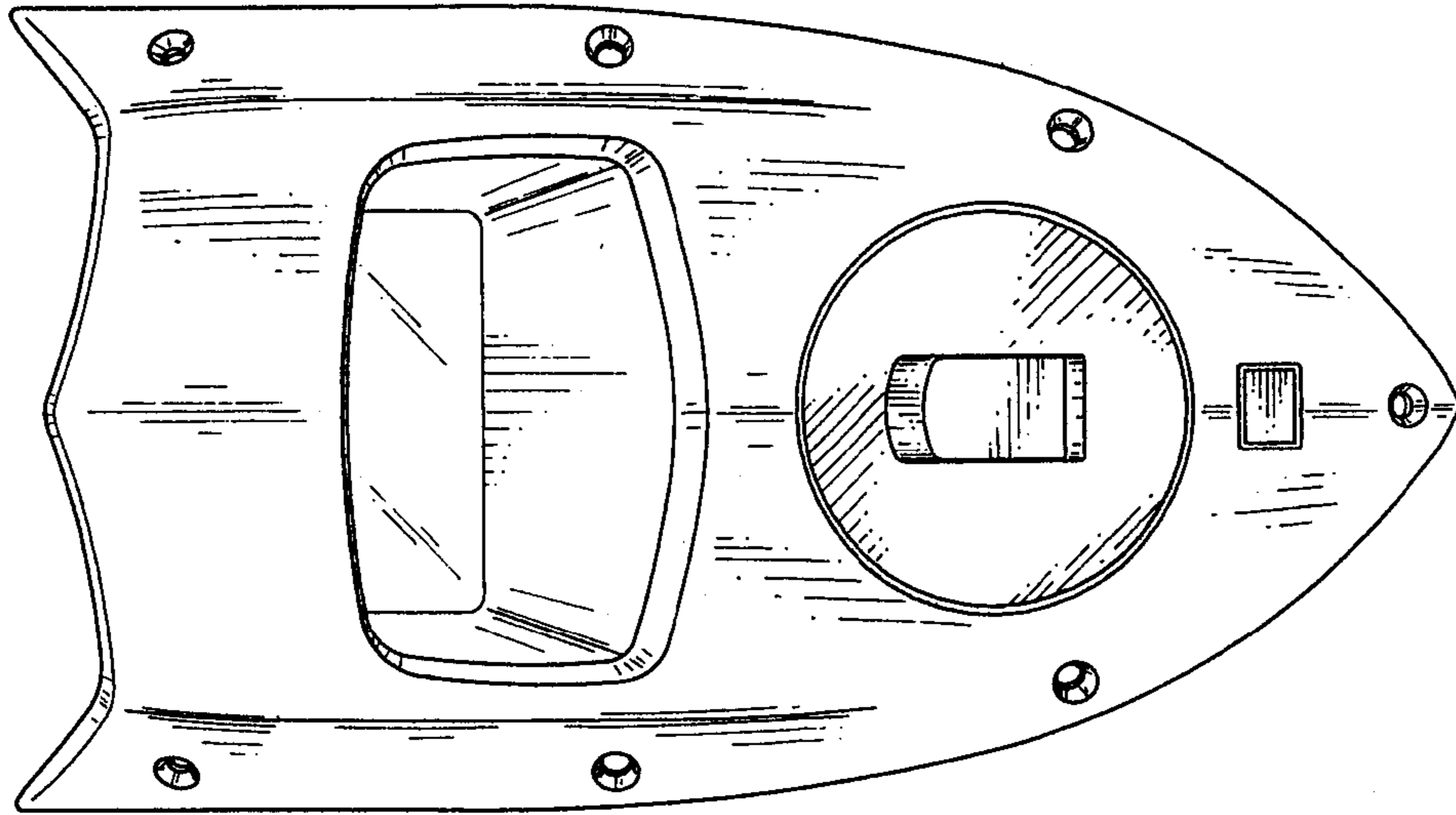


FIG. 2

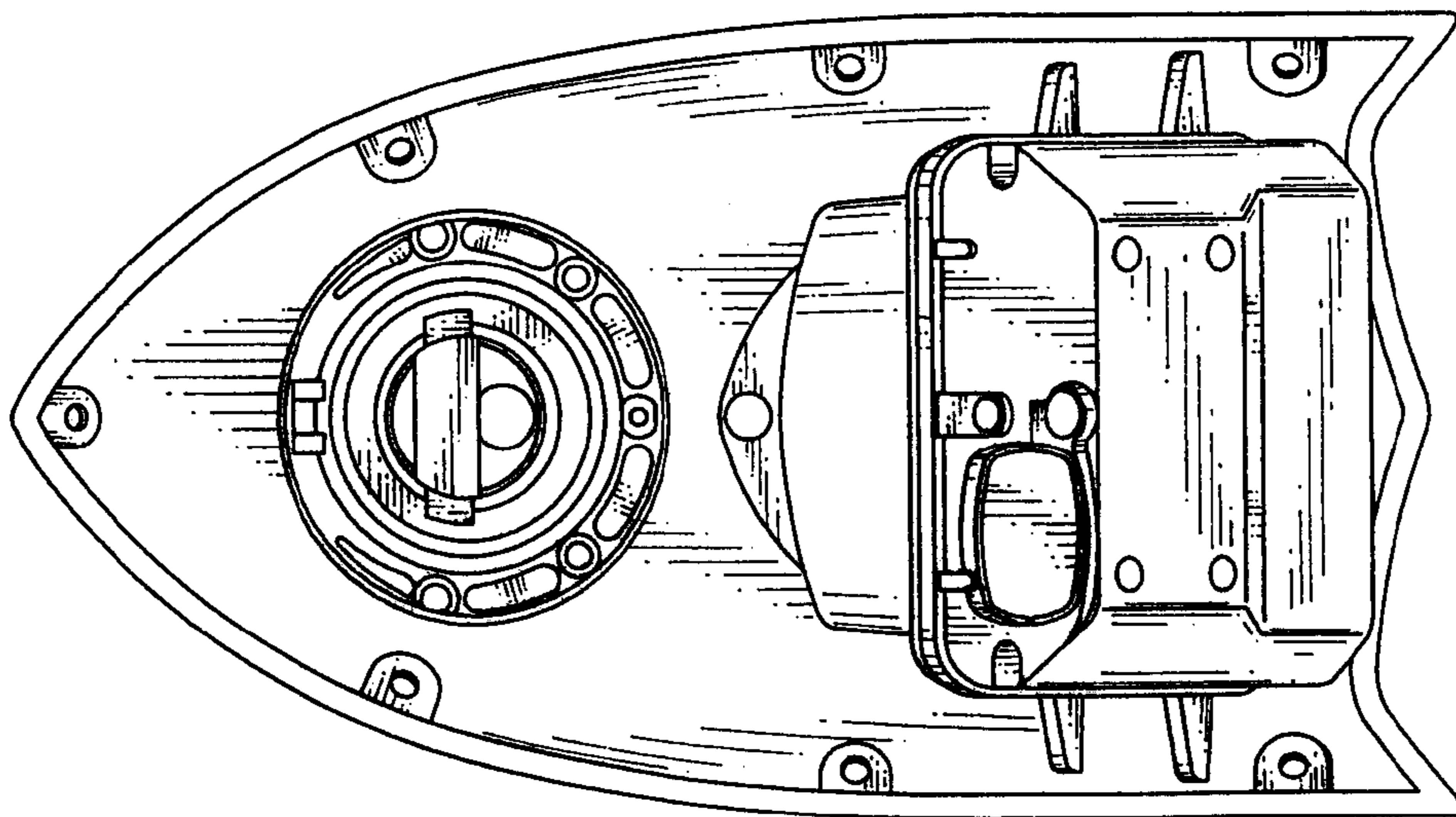


FIG. 3

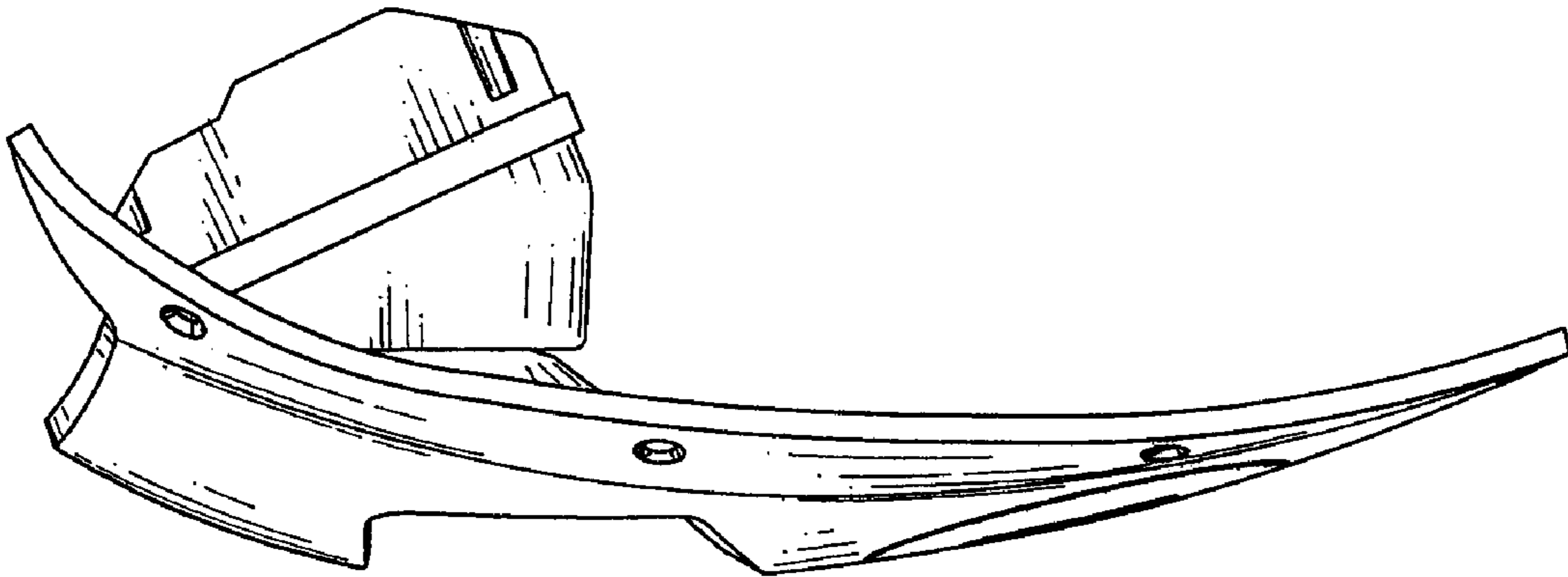
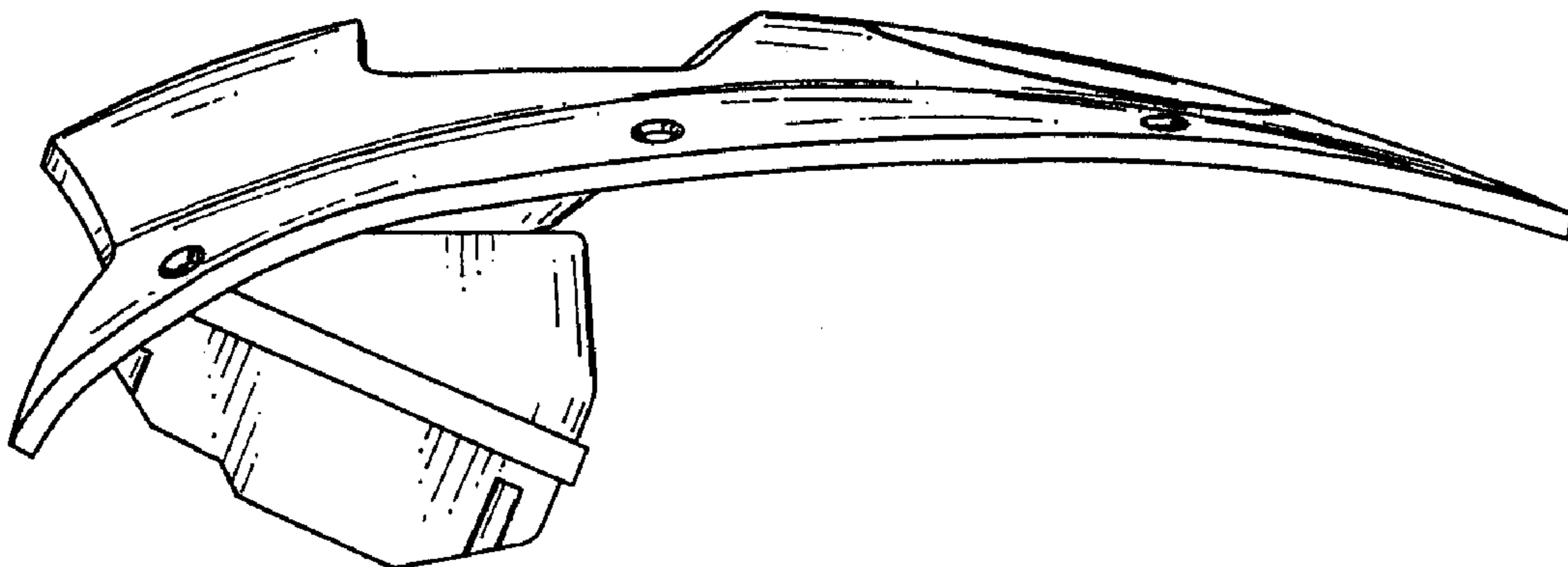
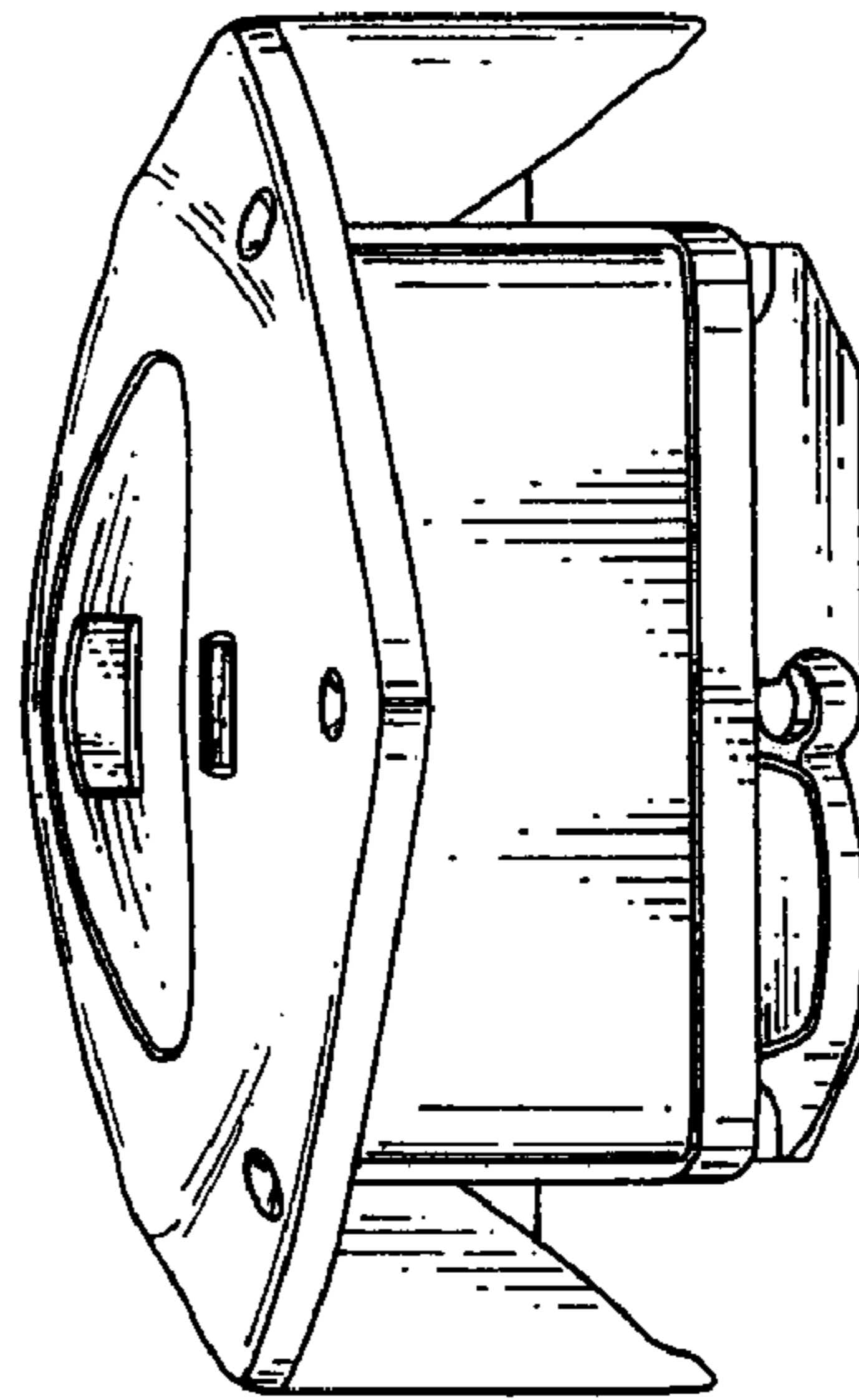


FIG. 4



F I G. 5



F I G. 6

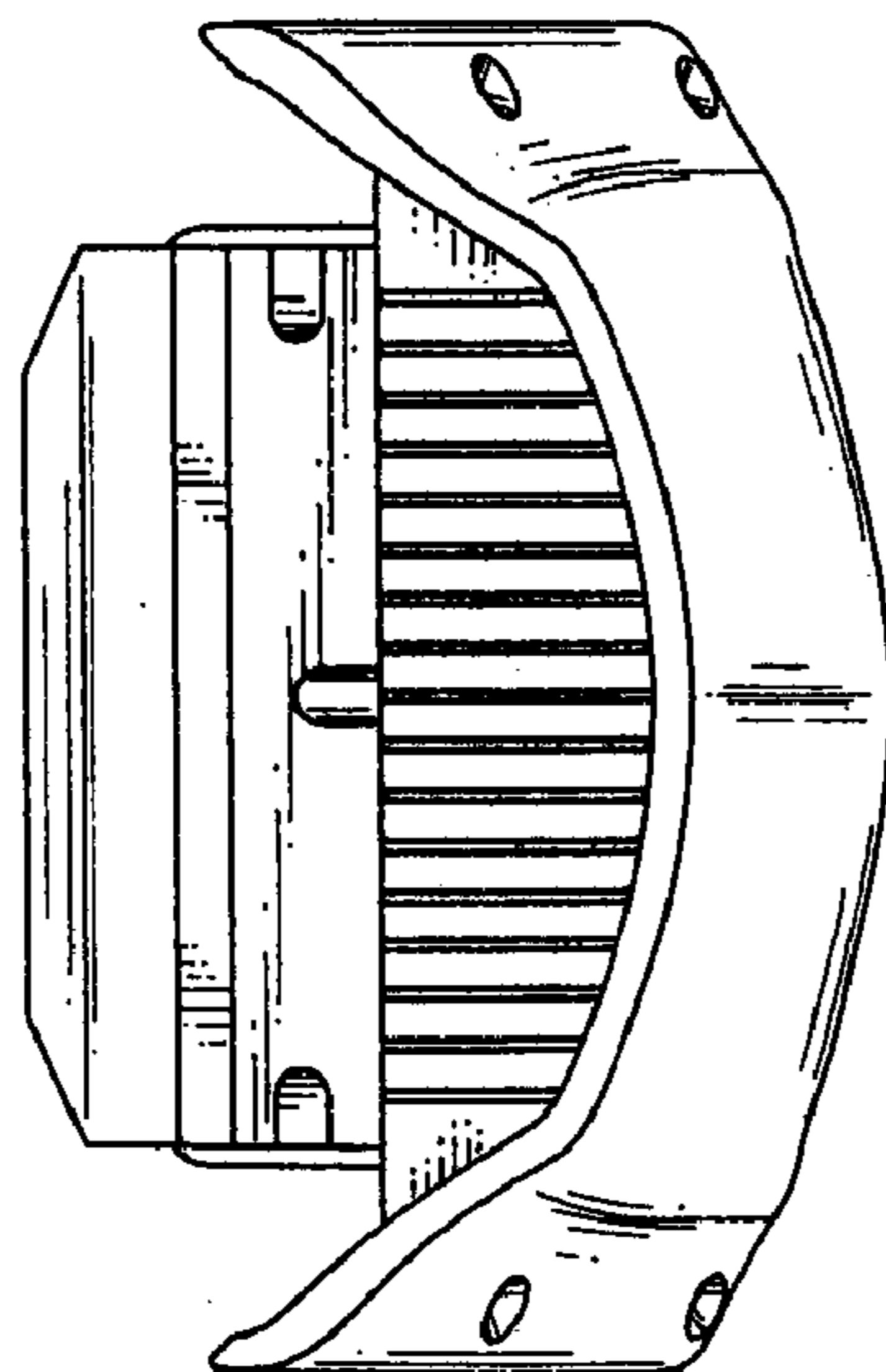


FIG. 7

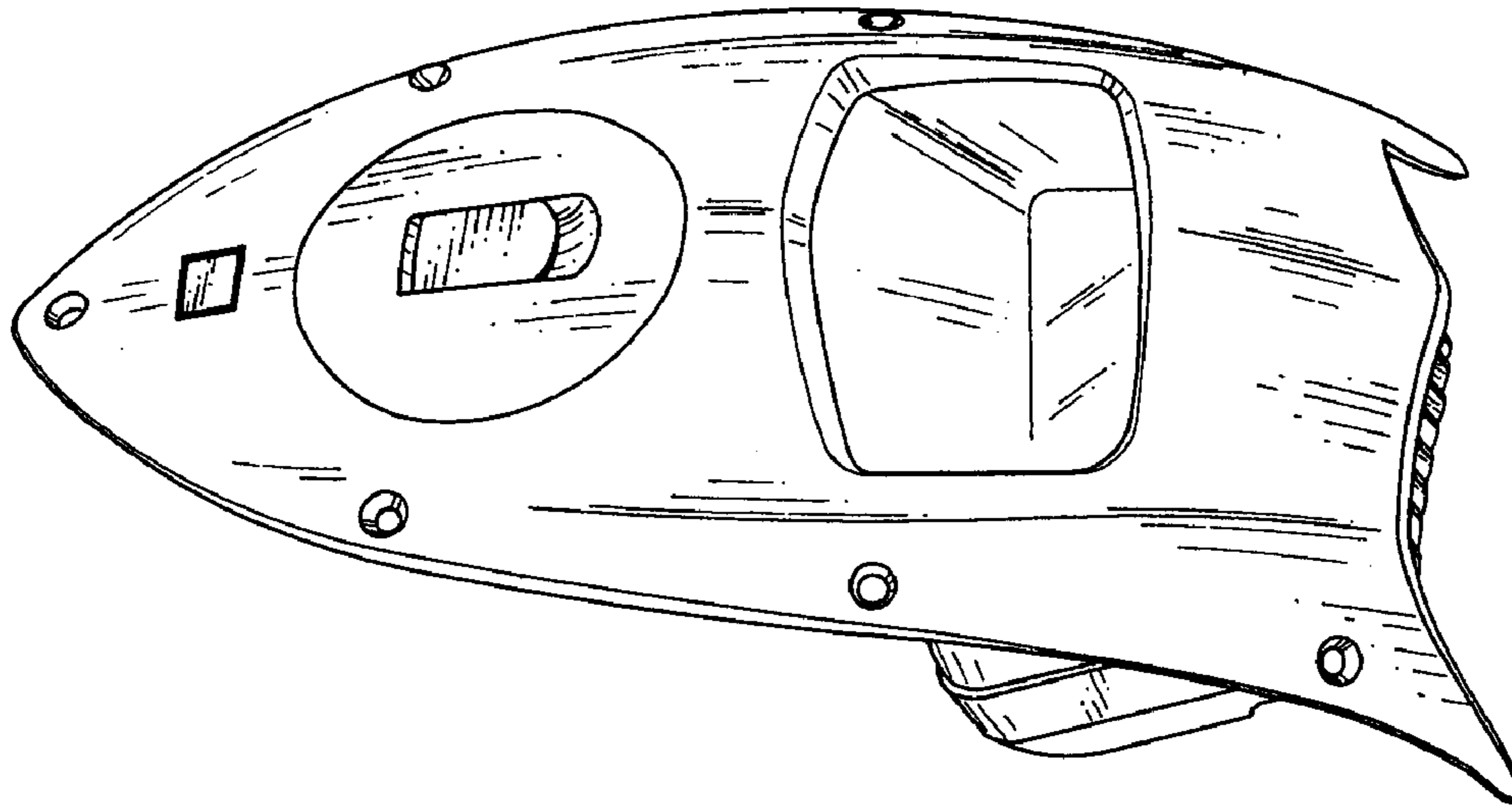


FIG. 8

