

US00D501803S

(12) **United States Design Patent**  
**Platzek**

(10) **Patent No.:** **US D501,803 S**  
(45) **Date of Patent:** **\*\* Feb. 15, 2005**

(54) **VISCOMETER**

6,745,135 B2 \* 6/2004 Keilty et al. .... 702/45

(75) Inventor: **Wolfgang Platzek**, Karlsruhe (DE)

\* cited by examiner

(73) Assignee: **Thermo Electron (Karlsruhe) GmbH**,  
Karlsruhe (DE)

*Primary Examiner*—Antoine D. Davis  
(74) *Attorney, Agent, or Firm*—Paul Vincent

(\*\*) Term: **14 Years**

(57) **CLAIM**

The ornamental design for the viscometer, as shown.

(21) Appl. No.: **29/193,433**

**DESCRIPTION**

(22) Filed: **Nov. 12, 2003**

(30) **Foreign Application Priority Data**

May 17, 2003 (DE) ..... 4 03 03 638

(51) **LOC (7) Cl.** ..... **10-04**

(52) **U.S. Cl.** ..... **D10/96**

(58) **Field of Search** ..... D10/96; 73/54.35,  
73/54.01, 1.16, 1.31, 9-10; 702/35-40,  
45-55

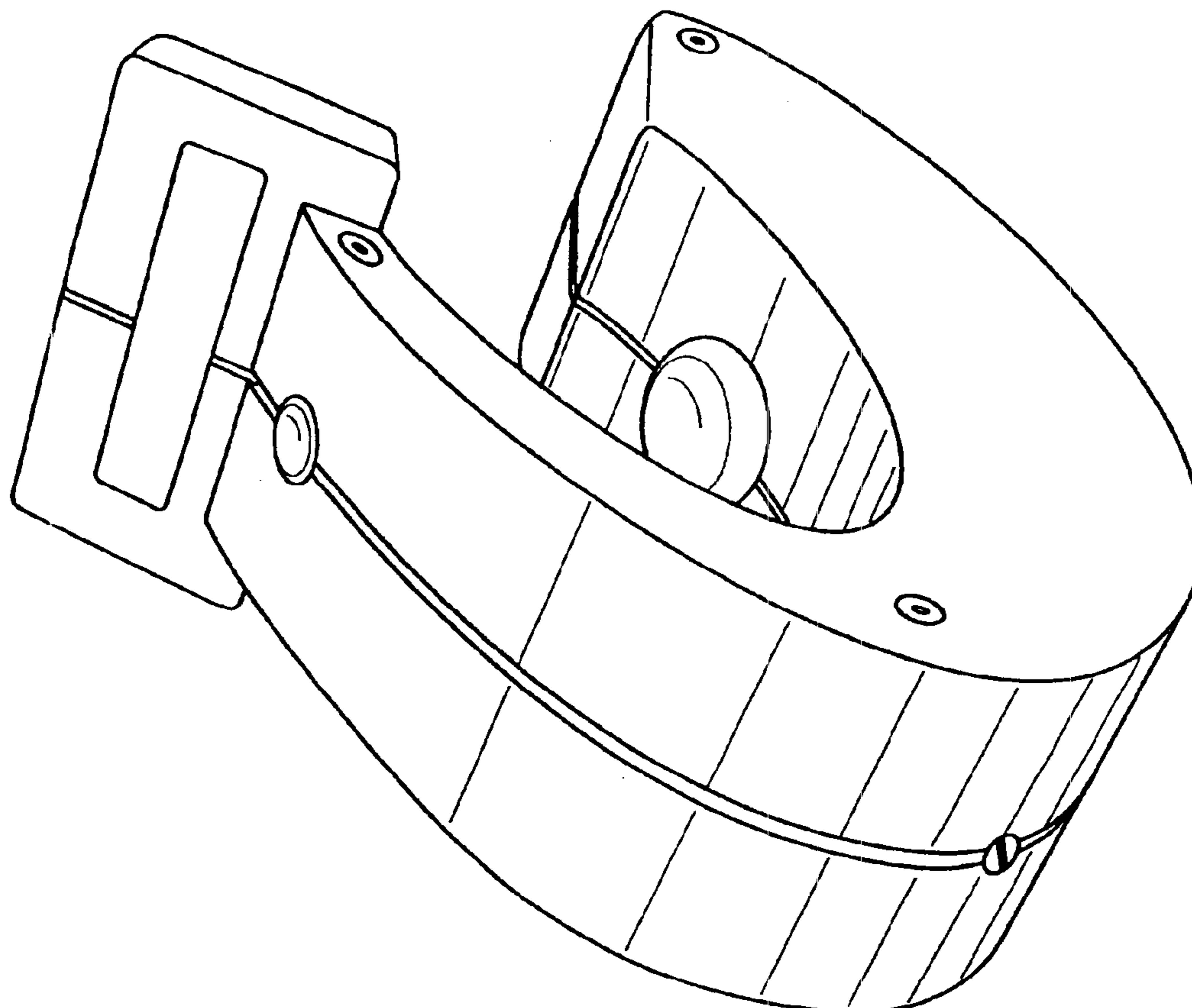
FIG. 1 shows a perspective view of a first embodiment of the viscometer in accordance with the invention;  
FIG. 2 shows a right-side view of the first embodiment of the viscometer in accordance with FIG. 1.  
FIG. 3 shows a left-side view of the first embodiment of the viscometer in accordance with FIGS. 1 and 2;  
FIG. 4 shows a perspective view of a second embodiment of the viscometer in accordance with the invention;  
FIG. 5 shows a right-side view of the second embodiment of the viscometer in accordance with FIG. 4; and,  
FIG. 6 shows a left-side view of the second embodiment of the viscometer in accordance with FIGS. 4 and 5.

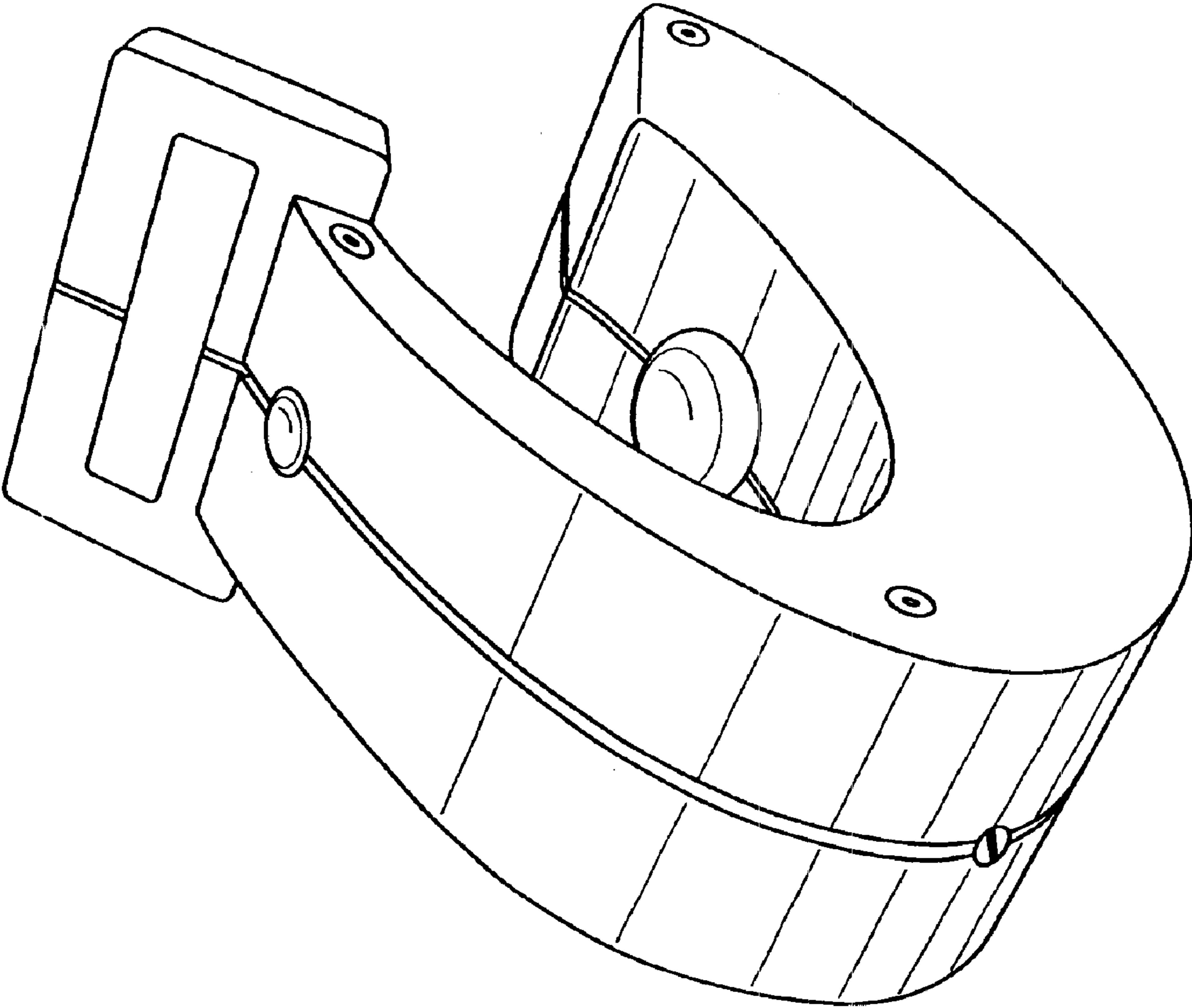
(56) **References Cited**

**U.S. PATENT DOCUMENTS**

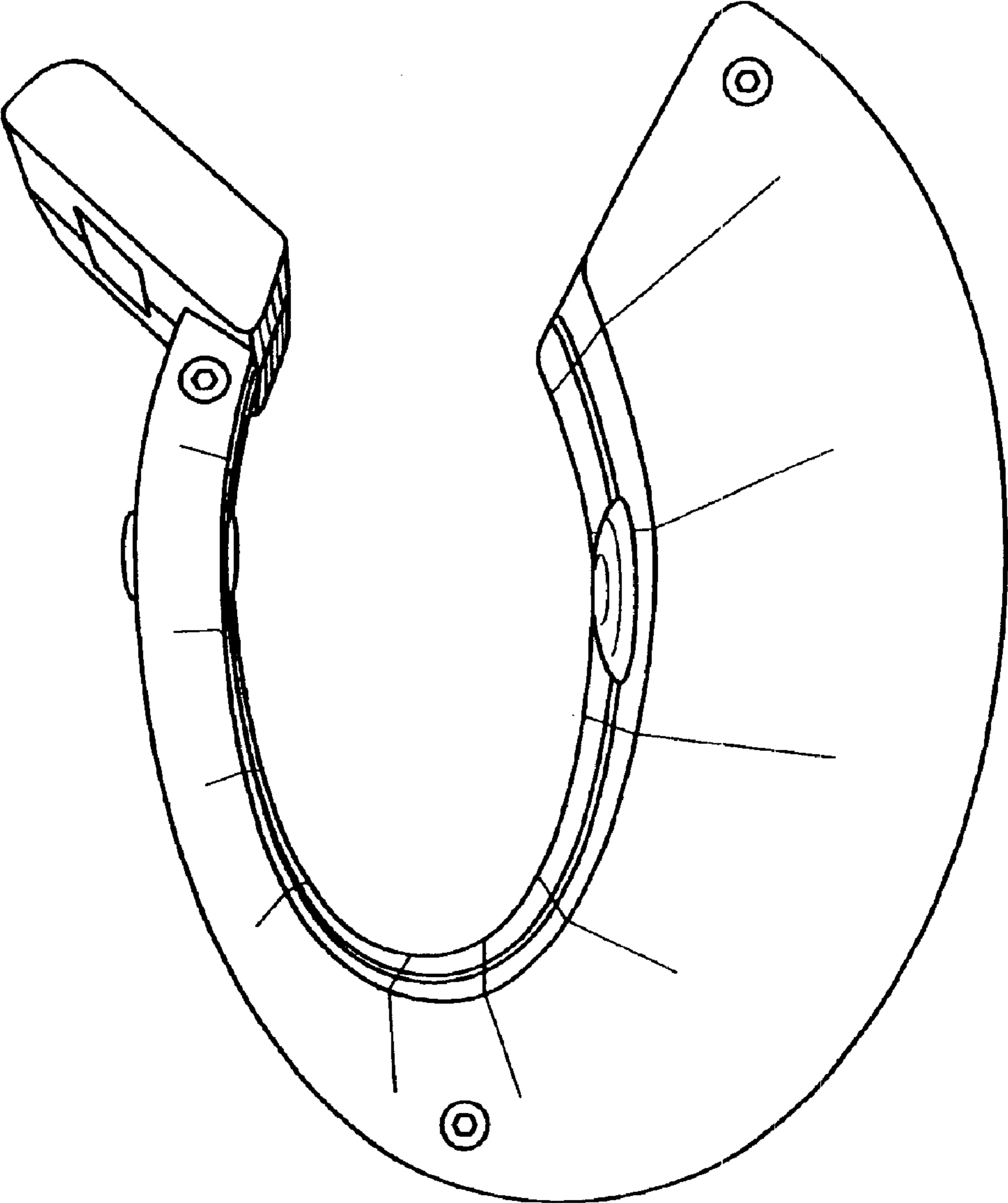
6,412,338 B2 \* 7/2002 Boyle et al. .... 73/54.34

**1 Claim, 6 Drawing Sheets**

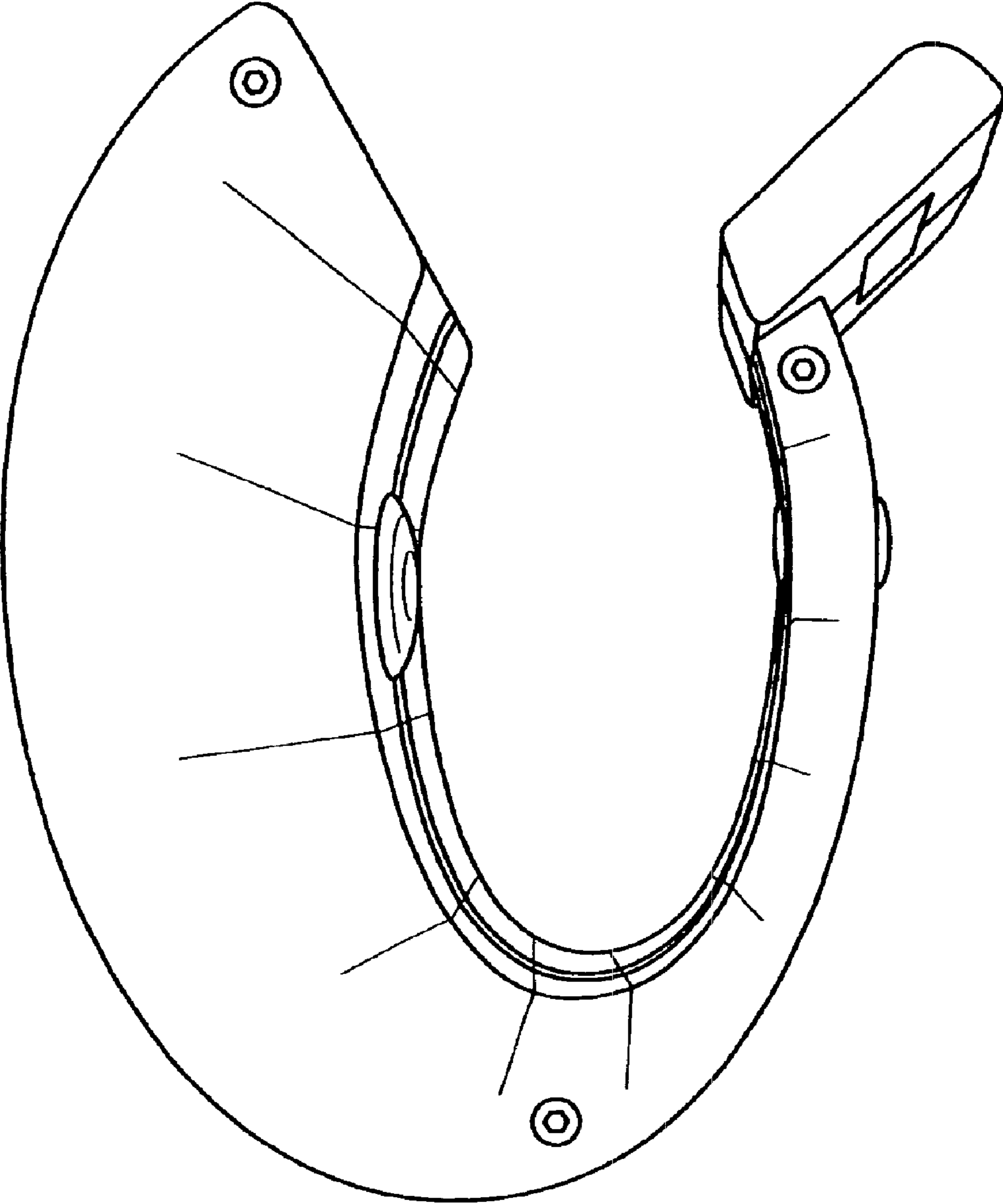




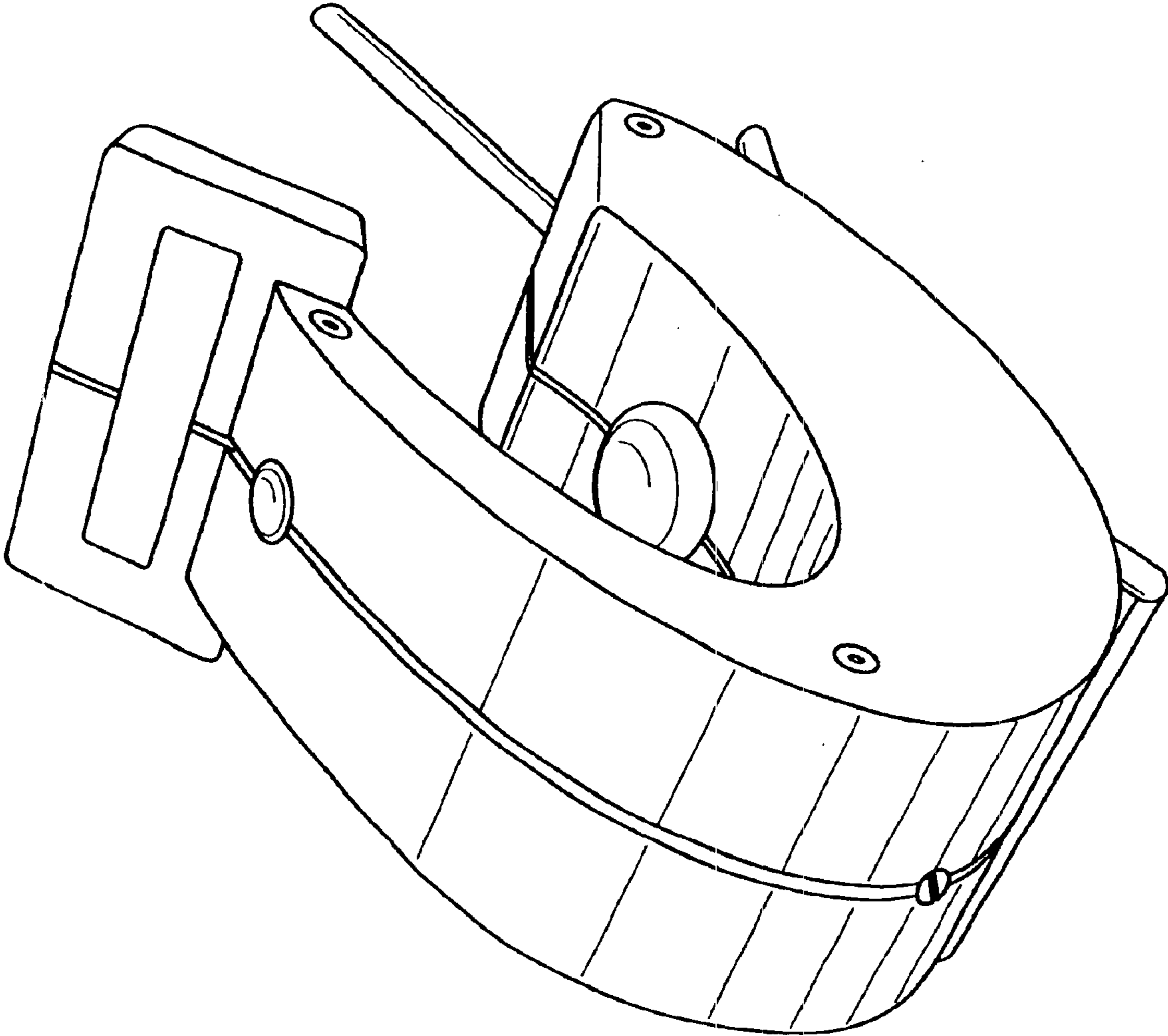
**Fig. 1**



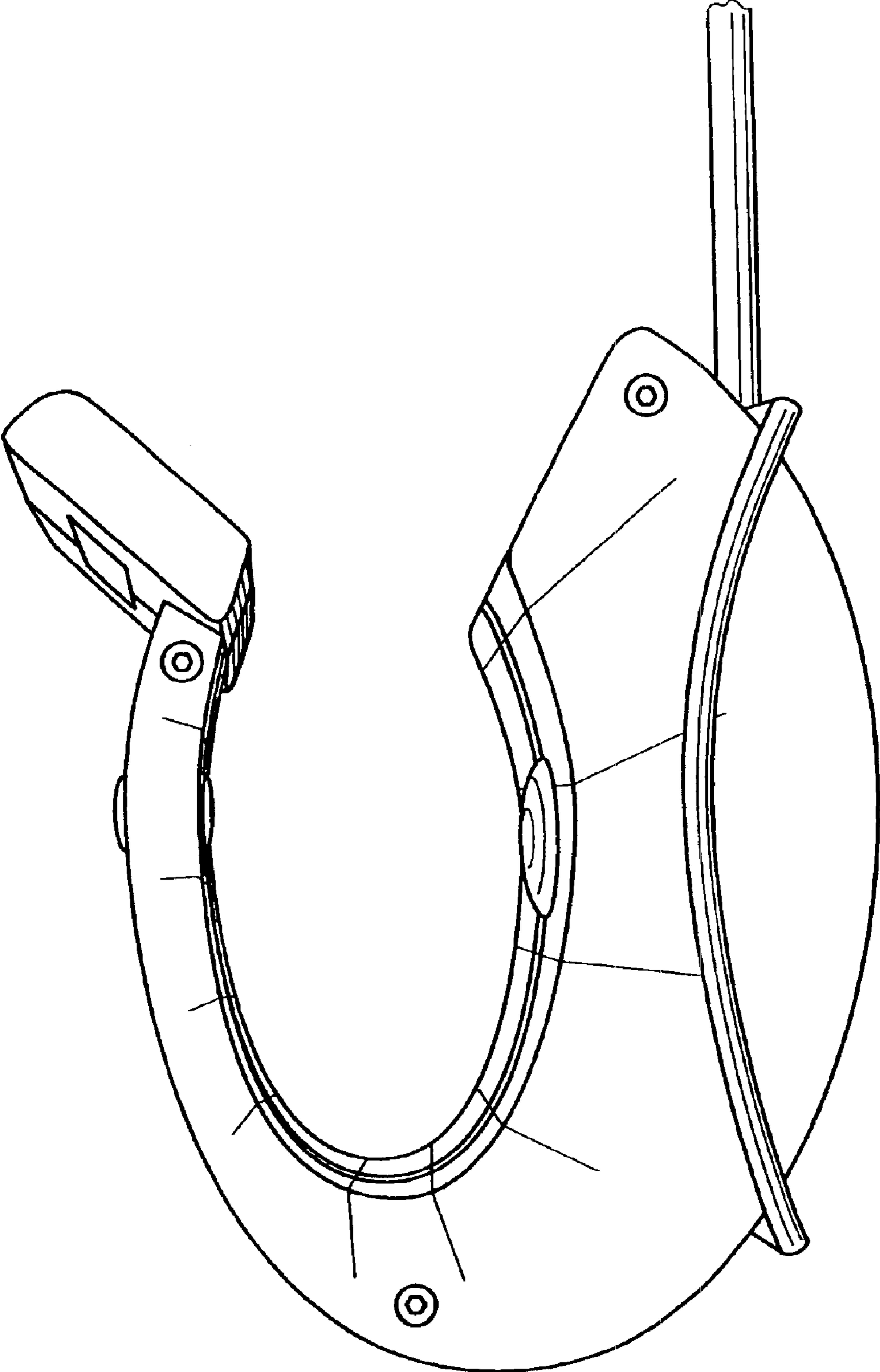
**Fig. 2**



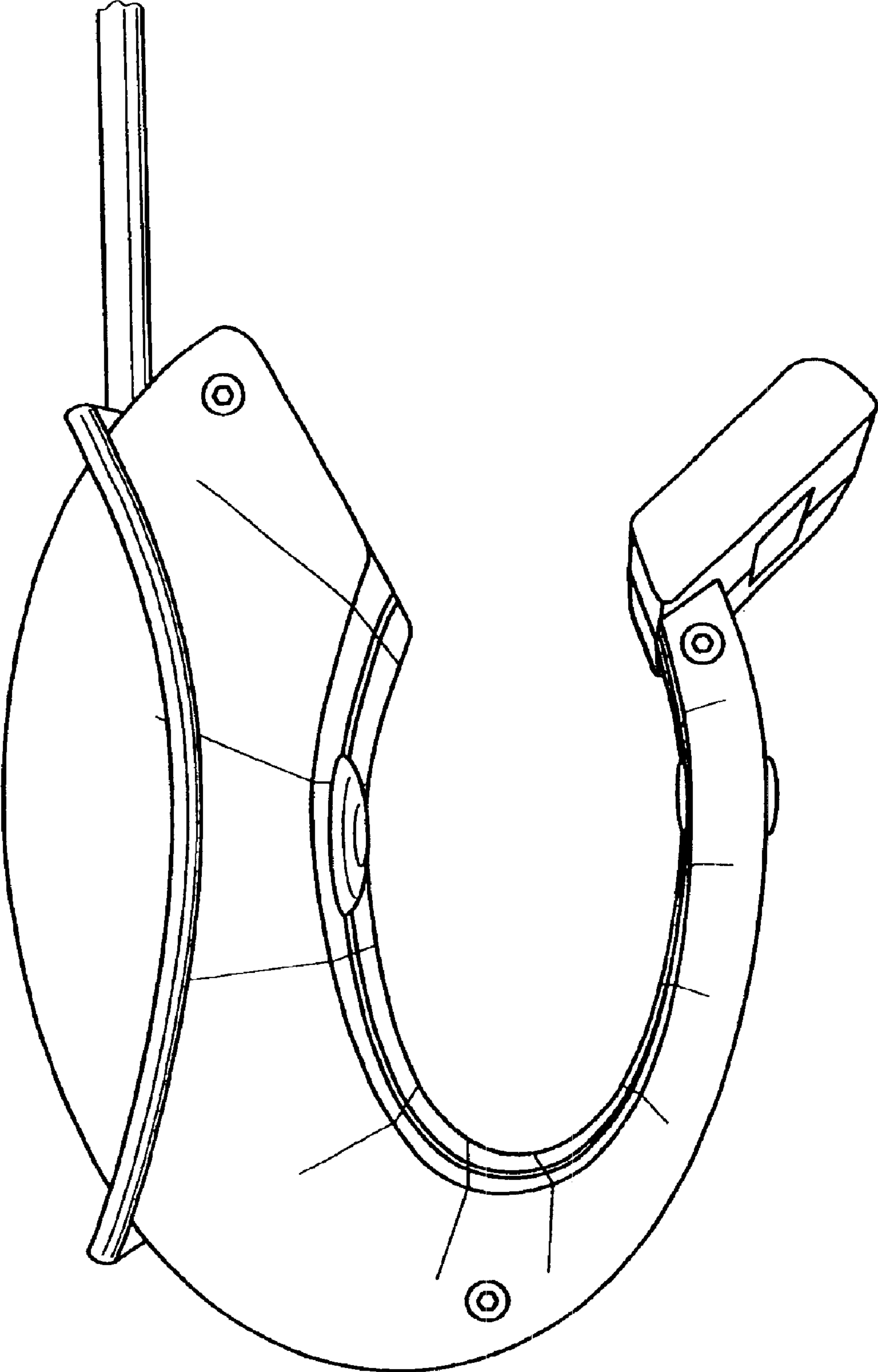
**Fig. 3**



**Fig. 4**



**Fig. 5**



**Fig. 6**