

US00D501802S

(12) **United States Design Patent** (10) **Patent No.:** **US D501,802 S**  
**Sandor** (45) **Date of Patent:** **\*\* Feb. 15, 2005**

(54) **SAMPLE CELL**

(75) Inventor: **John L. Sandor**, North Haven, CT (US)

(73) Assignee: **RIC Investments, Inc.**, Wilmington, DE (US)

(\*\*) Term: **14 Years**

(21) Appl. No.: **29/197,122**

(22) Filed: **Jan. 9, 2004**

**Related U.S. Application Data**

(62) Division of application No. 29/172,165, filed on Dec. 6, 2002, now Pat. No. Des. 490,332.

(51) **LOC (7) Cl.** ..... **10-81**

(52) **U.S. Cl.** ..... **D10/81**

(58) **Field of Search** ..... D10/81; 250/343, 250/341.3; 356/325, 411, 434, 437

(56) **References Cited**

**U.S. PATENT DOCUMENTS**

- 5,831,742 A 11/1998 Watson et al.
- 6,061,141 A 5/2000 Goldenberg et al.
- 6,150,661 A 11/2000 McCaul et al.
- 2004/0065835 A1 \* 4/2004 Rich et al. .... 250/343

\* cited by examiner

*Primary Examiner*—Antoine D. Davis

(74) *Attorney, Agent, or Firm*—Michael W. Haas

(57) **CLAIM**

The ornamental design for a sample cell, as shown and described.

**DESCRIPTION**

FIG. 1 is a rear perspective view of an embodiment of a sample cell according to our new design;

FIG. 2 is a front perspective view of the sample cell shown in FIG. 1;

FIG. 3 is a front elevational view of the sample cell shown in FIG. 1;

FIG. 4 is a rear elevational view of the sample cell shown in FIG. 1;

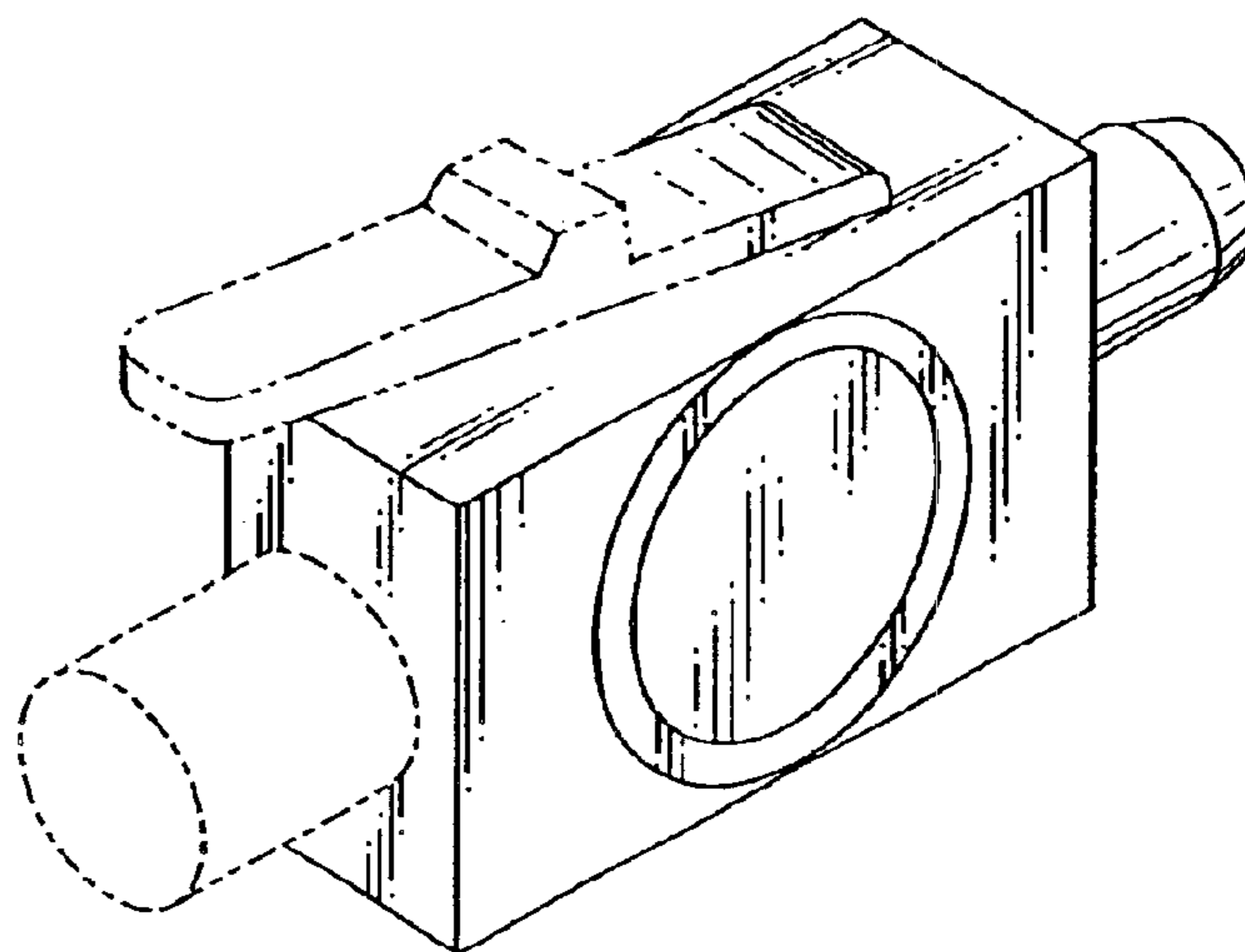
FIG. 5 is a top plan view of the sample cell shown in FIG. 1;

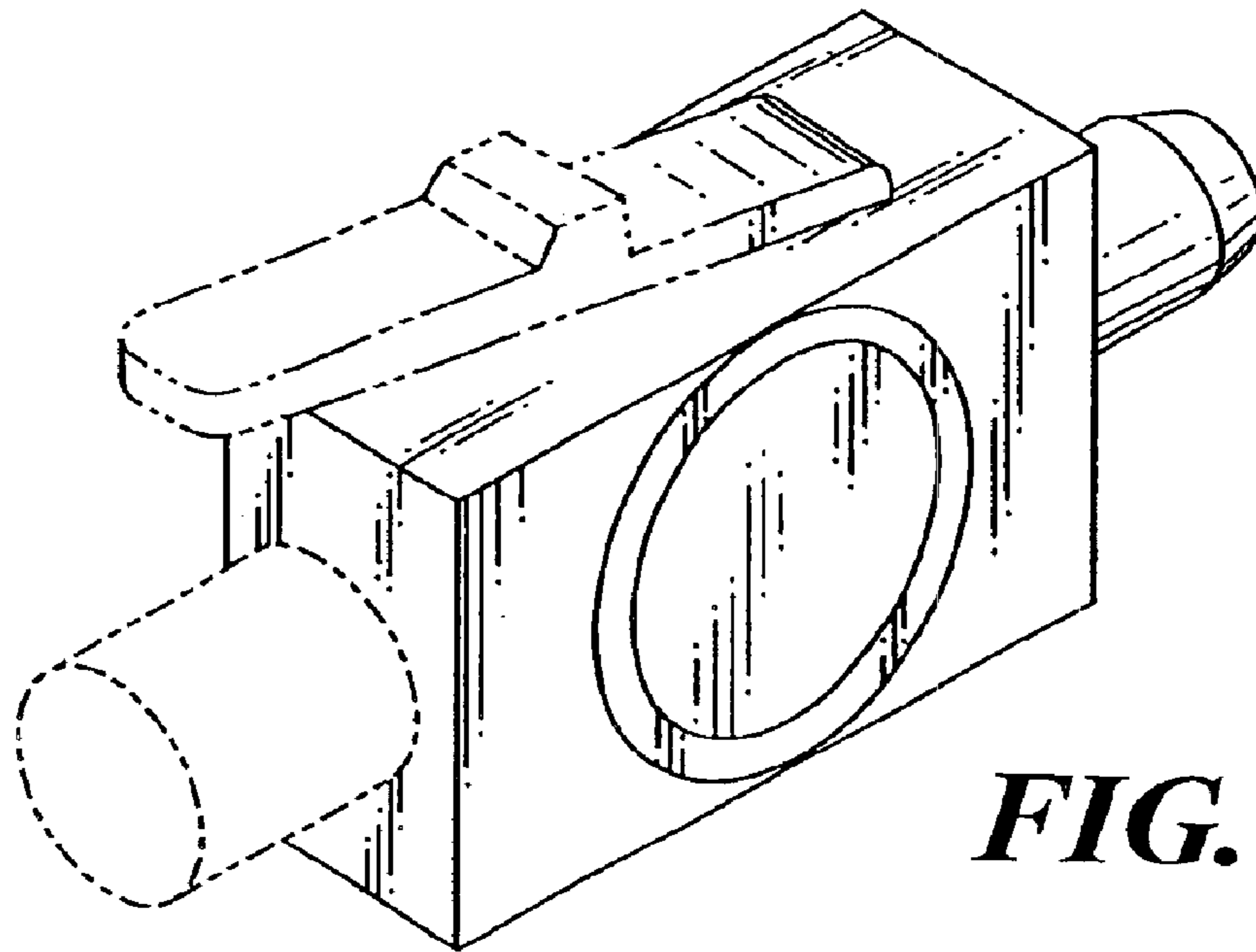
FIG. 6 is a bottom plan view of the sample cell shown in FIG. 1; and,

FIG. 7 is a right side elevational view of the sample shown in FIG. 1, the left side elevational view being similar thereto.

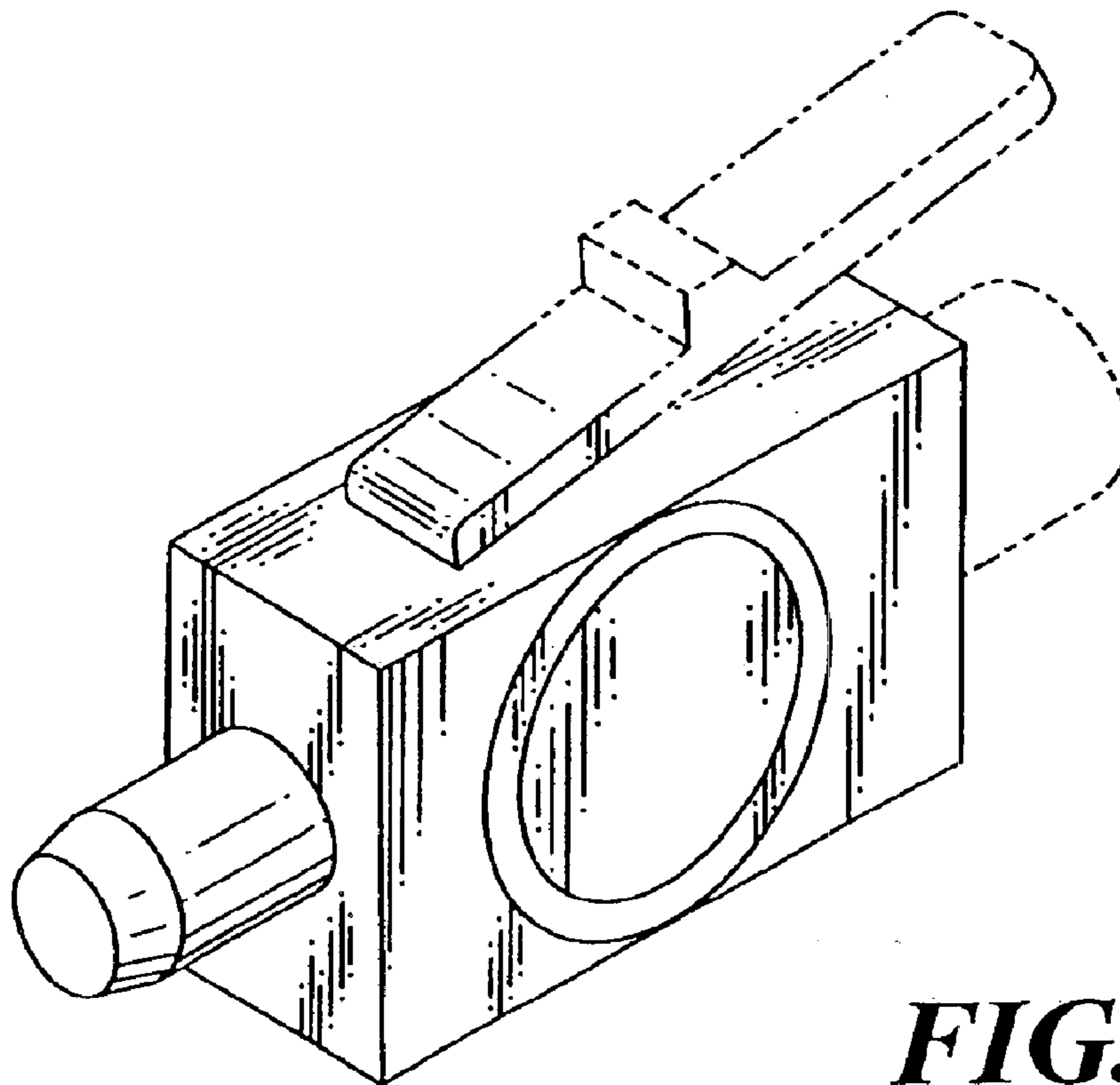
The portions drawn in broken lines are shown for illustrative purposes only and form no part of the claimed design.

**1 Claim, 3 Drawing Sheets**

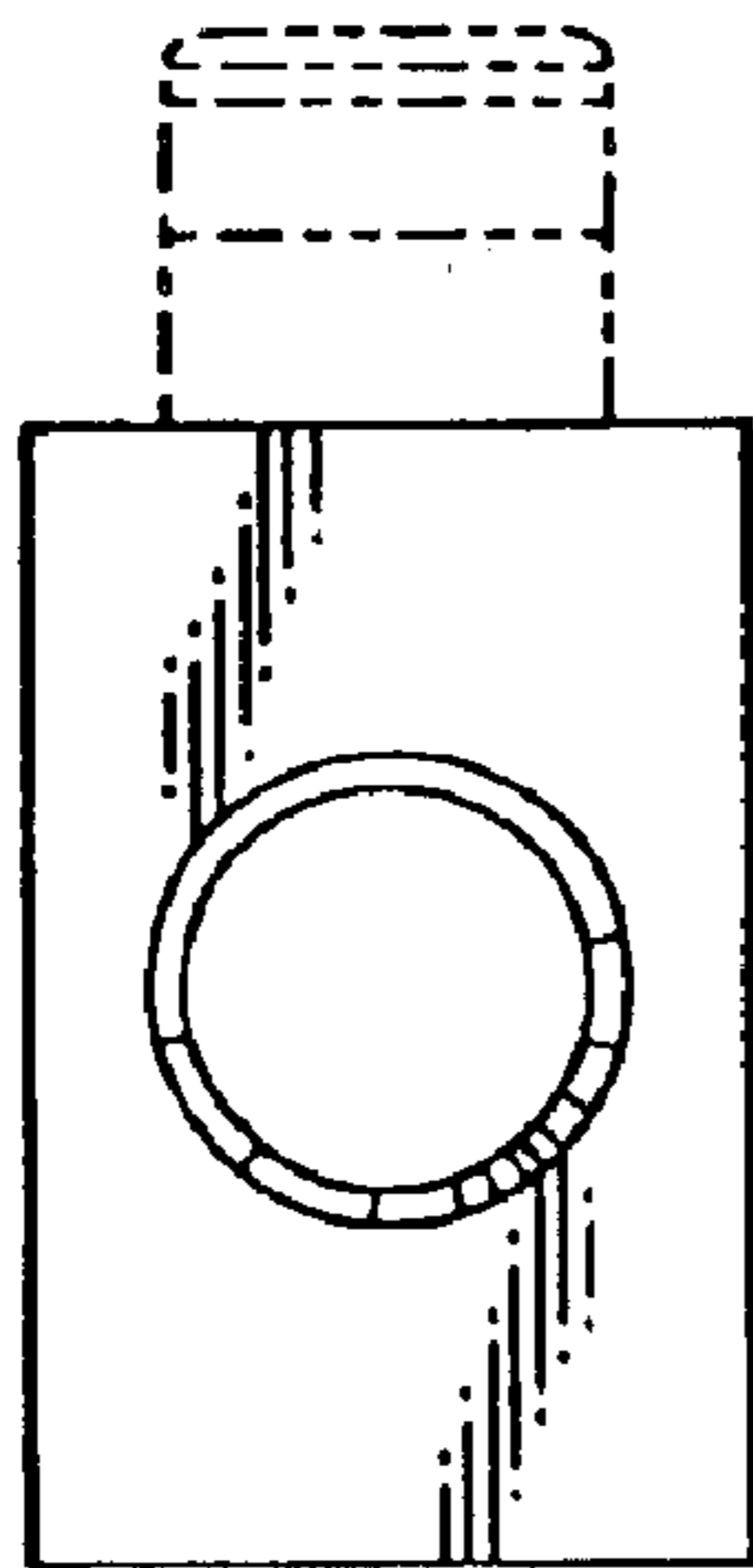




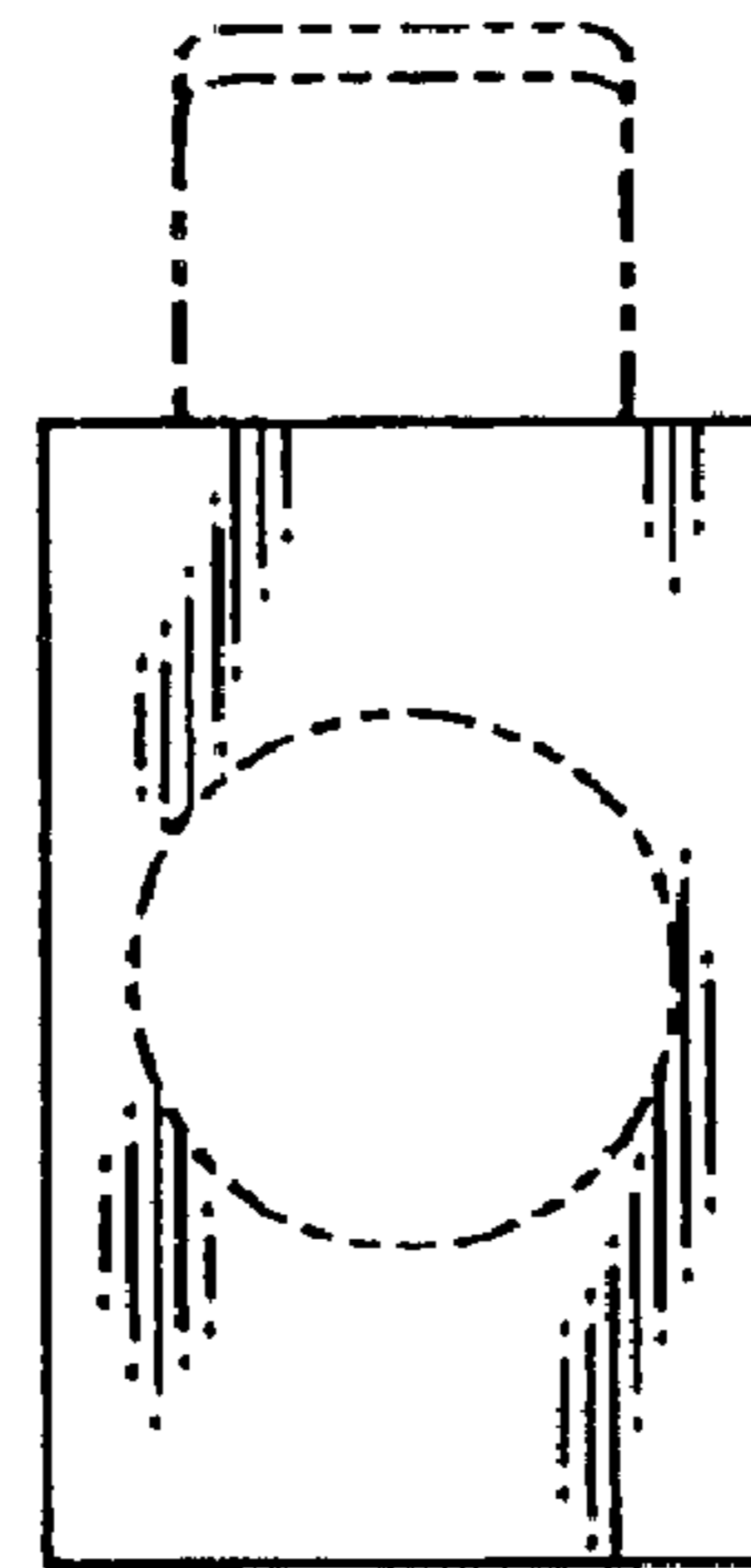
**FIG. 1**



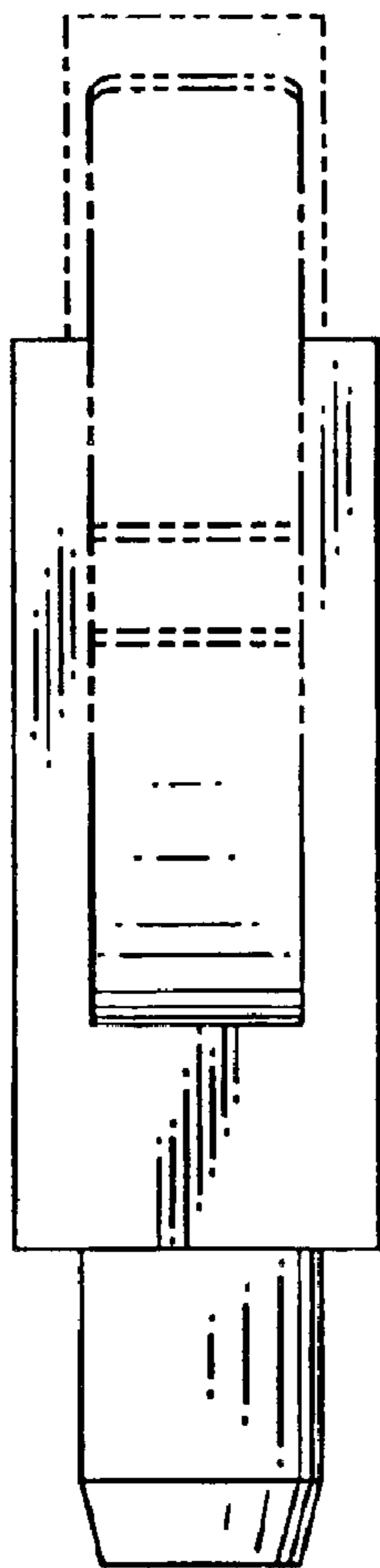
**FIG. 2**



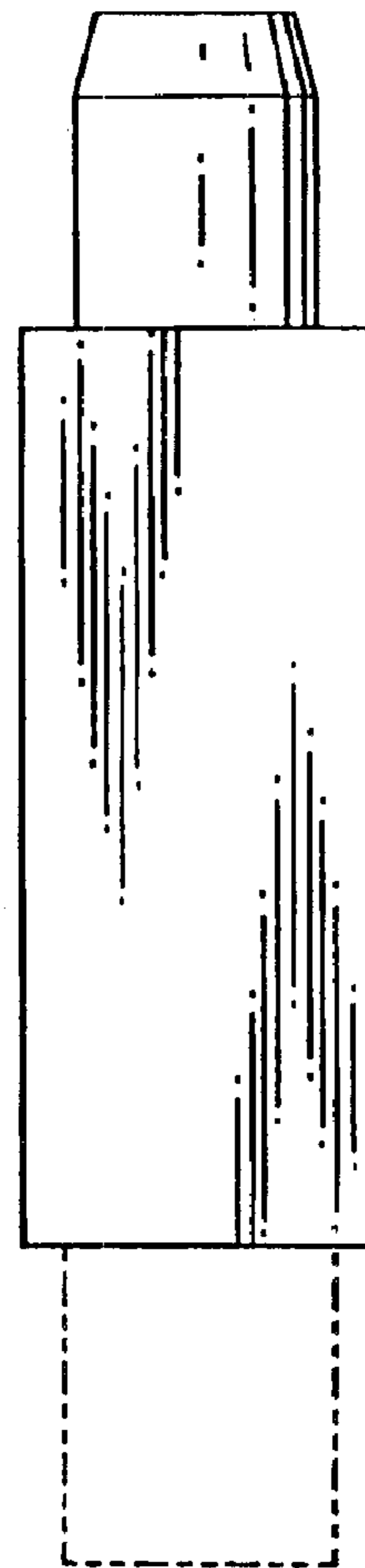
**FIG. 3**



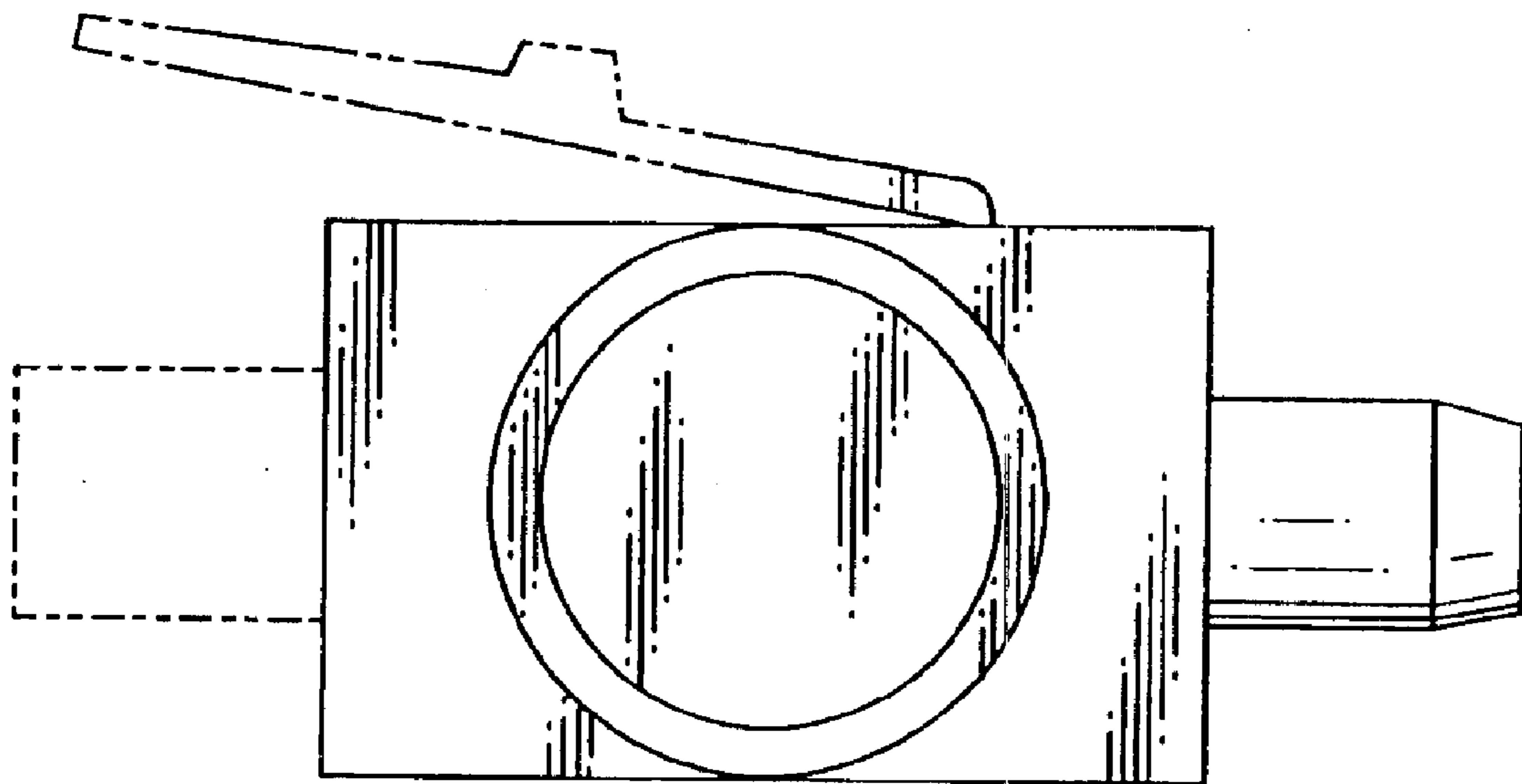
**FIG. 4**



**FIG 5**



**FIG 6**



***FIG. 7***