

US00D501793S

(12) **United States Design Patent** (10) **Patent No.:** **US D501,793 S**  
**Carmichael et al.** (45) **Date of Patent:** **\*\* Feb. 15, 2005**

(54) **CONTAINER**

(75) Inventors: **Gary H. Carmichael**, Des Plaines, IL  
(US); **Peter Privert**, Naperville, IL  
(US)

(73) Assignee: **Kraft Foods Holdings, Inc.**, Northfield,  
IL (US)

(\*\*) Term: **14 Years**

(21) Appl. No.: **29/174,574**

(22) Filed: **Jan. 21, 2003**

(51) **LOC (7) Cl.** ..... **09-01**

(52) **U.S. Cl.** ..... **D9/503; D9/538**

(58) **Field of Search** ..... D9/500, 502-504,  
D9/516, 530, 537-539, 557-558, 529; 215/381-384,  
396, 398, 400; 220/660, 669, 675; 222/210,  
212-213

(56) **References Cited**

**U.S. PATENT DOCUMENTS**

- D19,417 S \* 11/1889 Estes ..... D9/503
- D44,463 S \* 8/1913 Ackerman ..... D9/502
- D187,811 S \* 5/1960 Heppenstall ..... D7/597
- D202,003 S \* 8/1965 Douglas ..... D9/503
- D248,373 S \* 7/1978 Allen ..... D9/503
- D266,649 S \* 10/1982 Plewes et al. .... D9/503
- D277,550 S \* 2/1985 Campbell et al. .... D9/500

- D292,492 S \* 10/1987 Ross et al. .... D9/453
- D312,964 S \* 12/1990 Carmine et al. .... D9/528
- D328,248 S \* 7/1992 Ruff ..... D9/503 X
- D408,689 S \* 4/1999 Kato ..... D7/608
- D445,689 S \* 7/2001 McCutchan ..... D9/503
- D474,651 S \* 5/2003 Ward ..... D9/529 X

\* cited by examiner

*Primary Examiner*—Philip S. Hyder

*Assistant Examiner*—Carol Rademaker

(74) *Attorney, Agent, or Firm*—Fitch, Even, Tabin &  
Flannery

(57) **CLAIM**

The ornamental design for a container, as shown and described.

**DESCRIPTION**

FIG. 1 is a perspective view of a container showing our new design;

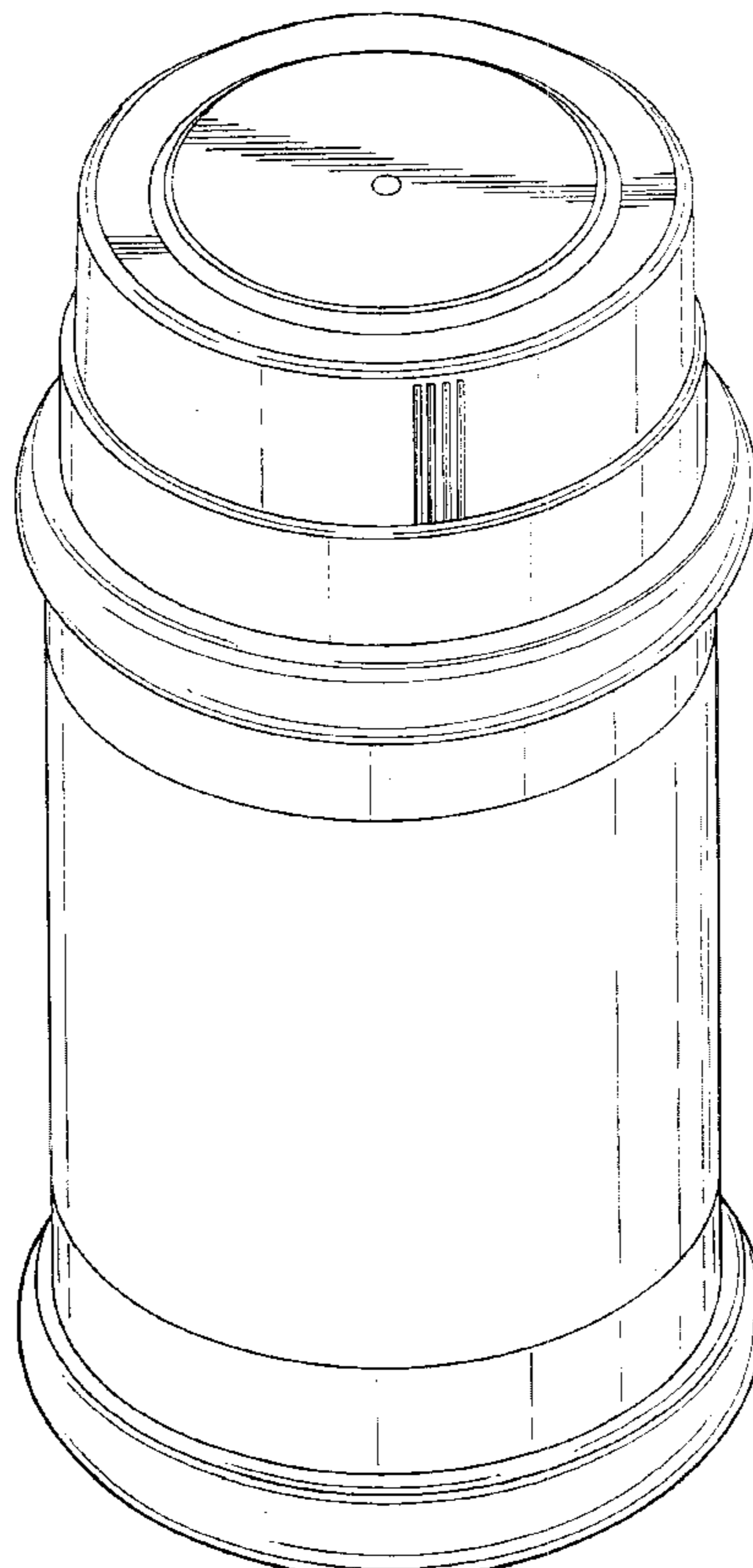
FIG. 2 is a front elevational view thereof, the rear elevational view being a mirror image;

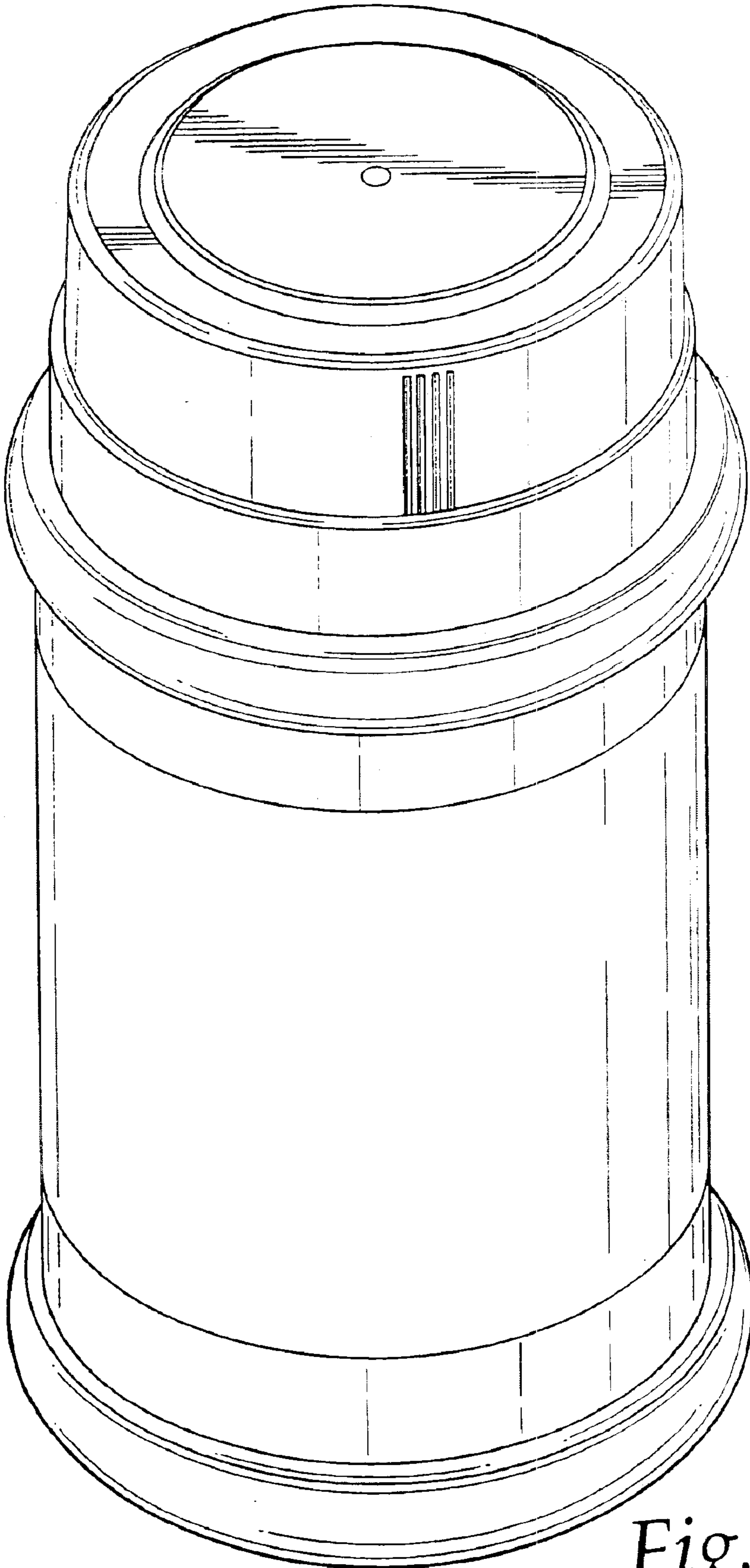
FIG. 3 is a right side view thereof, the left side view being a mirror image; and,

FIG. 4 is a top plan view thereof.

Portions of the container are shown in broken lines for illustrative purposes only and form no part of the claimed design. The bottom of the container is not claimed.

**1 Claim, 3 Drawing Sheets**





*Fig. 1*

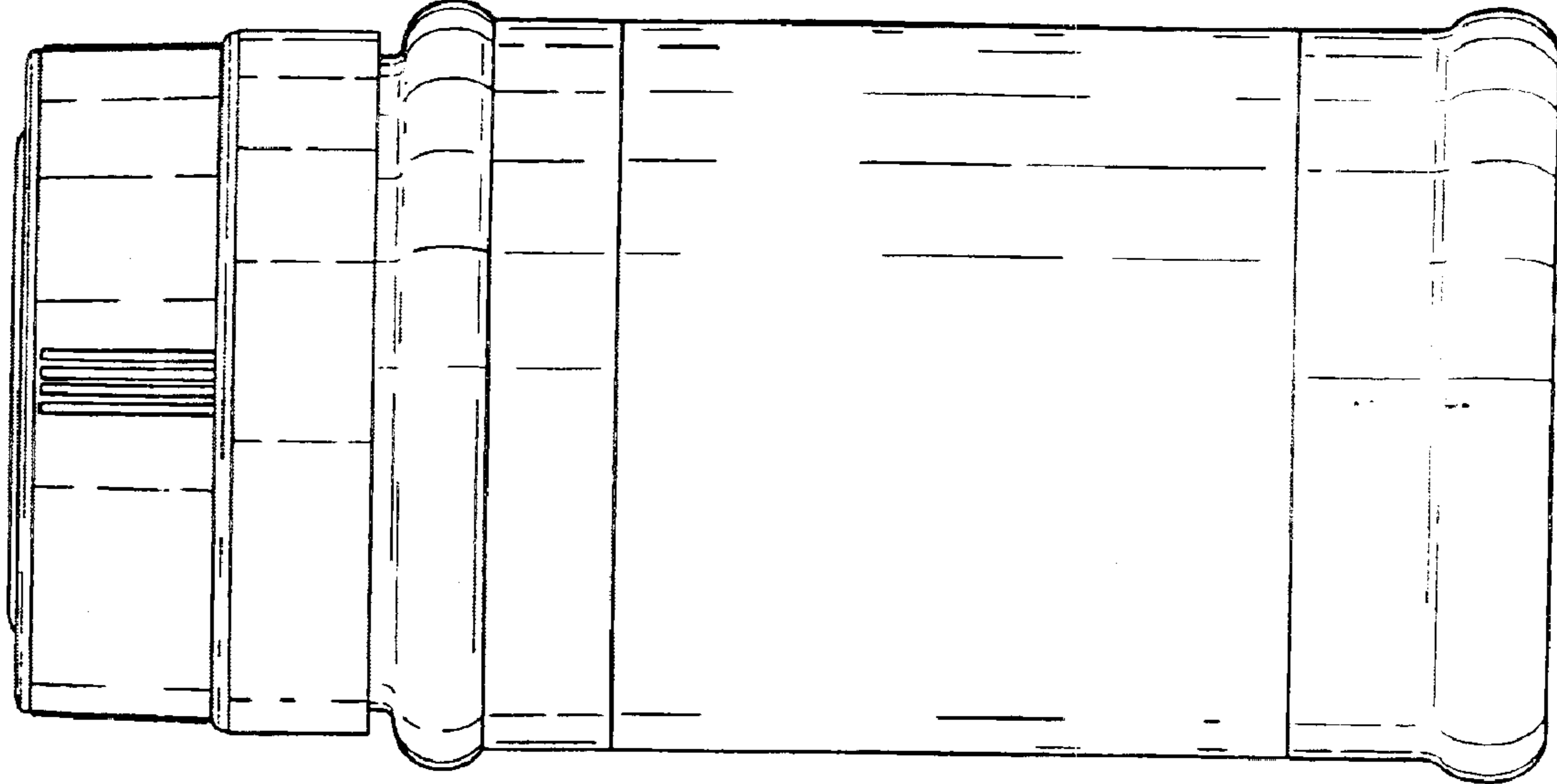


Fig. 3

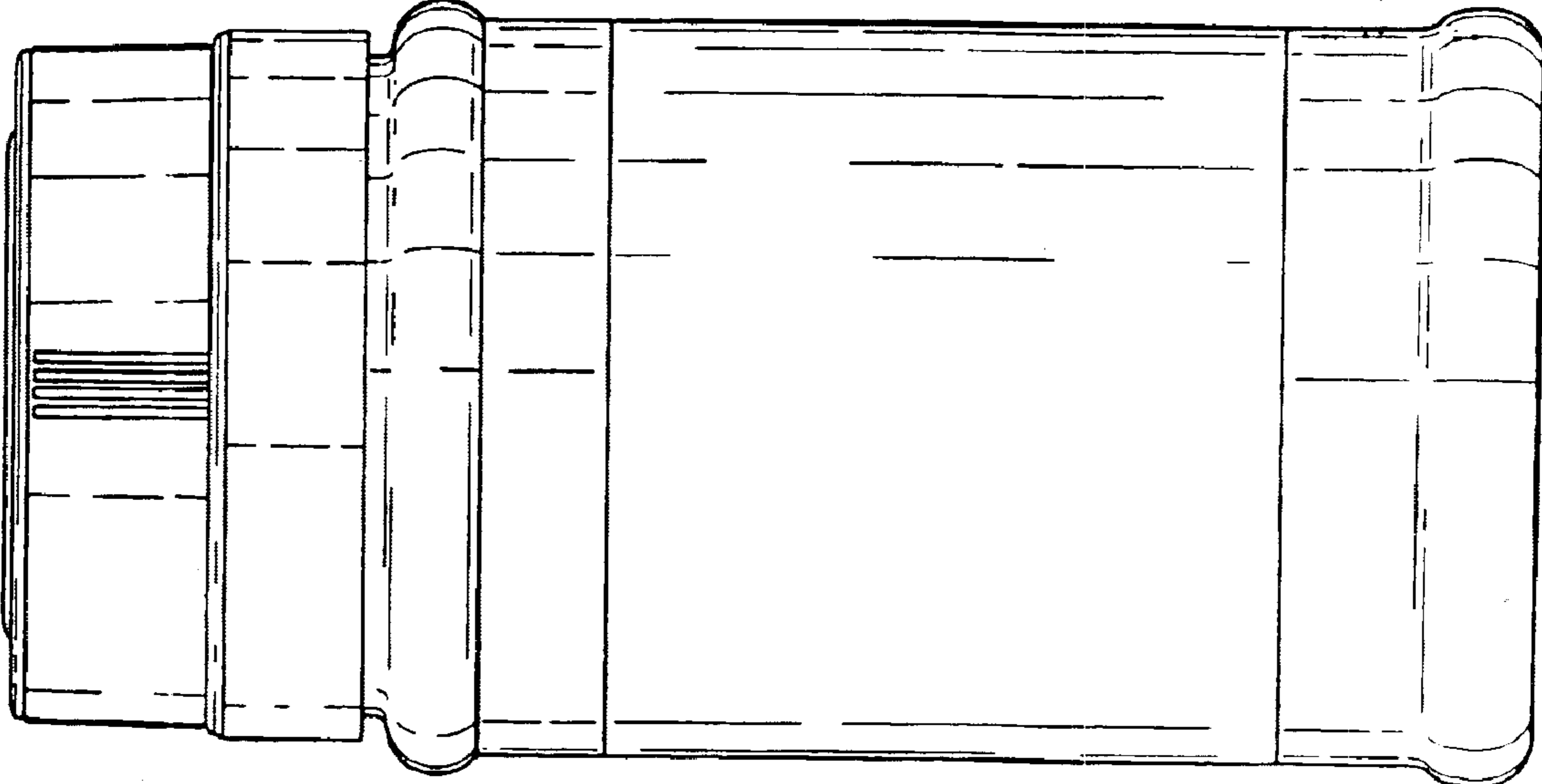


Fig. 2

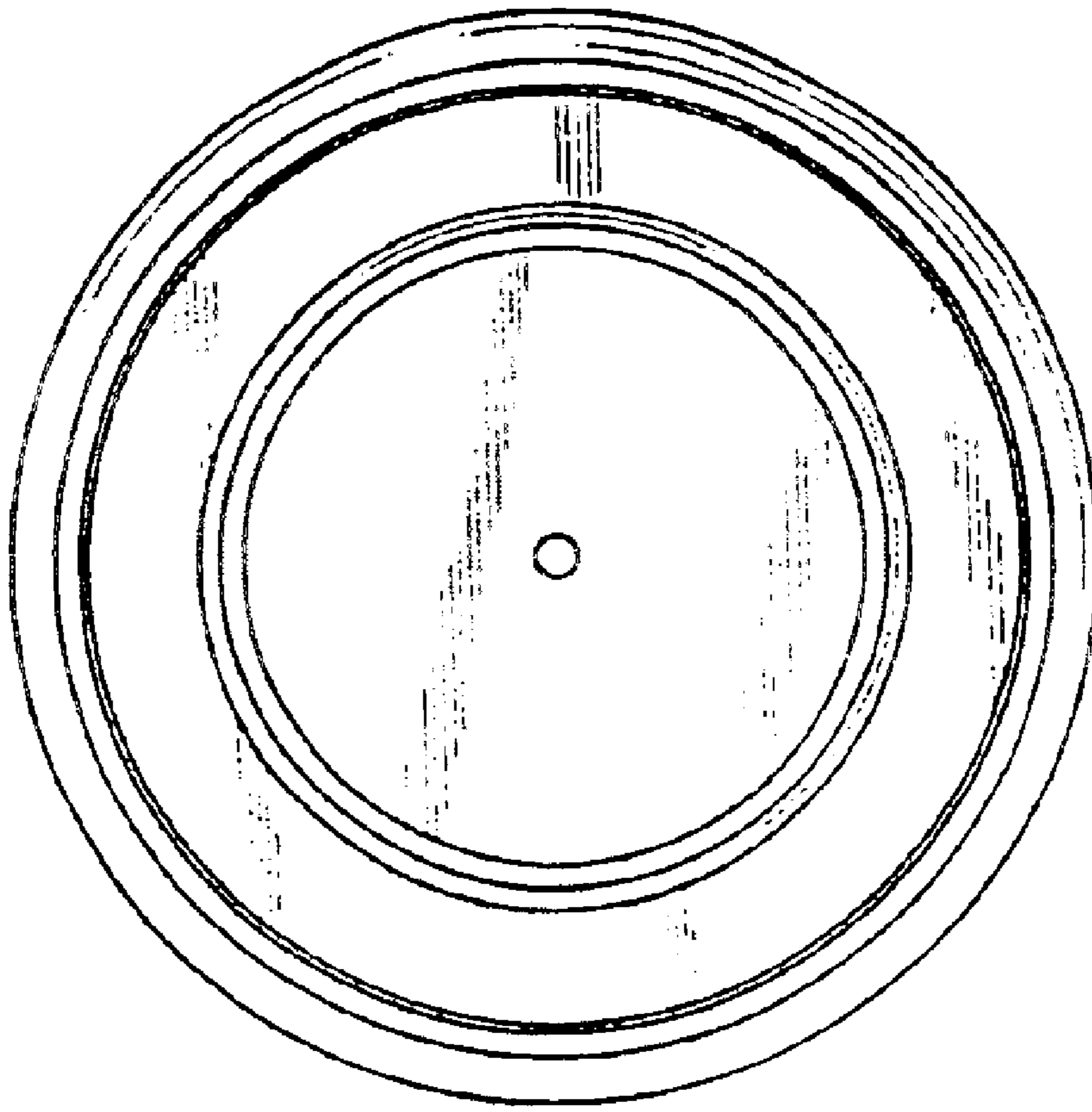


Fig. 4