

US00D501790S

(12) **United States Design Patent**
Feibelman

(10) **Patent No.:** **US D501,790 S**
(45) **Date of Patent:** **** Feb. 15, 2005**

(54) **DISPLAY HANGER WITH BLISTER PACK**

(75) Inventor: **Jeffrey A. Feibelman**, Providence, RI (US)

(73) Assignee: **Display Technologies, Inc.**, Johnston, RI (US)

(**) Term: **14 Years**

(21) Appl. No.: **29/174,577**

(22) Filed: **Jan. 21, 2003**

(51) **LOC (7) Cl.** **09-03**

(52) **U.S. Cl.** **D9/415; D9/456**

(58) **Field of Search** D9/414, 415, 418,
D9/337, 456; 206/461-471, 495, 806, 775-779,
763-769

4,997,153 A	3/1991	Feibelman	
5,197,596 A	3/1993	Garganese	
D342,894 S	* 1/1994	DiDomenico D9/415
5,409,105 A	4/1995	Appelbaum et al.	
5,460,269 A	10/1995	Bayer	
5,540,324 A	7/1996	Knapp	
D441,646 S	* 5/2001	Adkins D9/415
D456,249 S	* 4/2002	Pearson et al. D9/415
6,386,368 B1	5/2002	Pirro	
6,409,019 B1	6/2002	Hornsby et al.	

* cited by examiner

Primary Examiner—Louis S. Zarfaz

Assistant Examiner—Gregory Andoll

(74) *Attorney, Agent, or Firm*—Bowditch & Dewey, LLP

(57) **CLAIM**

The ornamental design for a display hanger with blister pack, as shown and described.

(56) **References Cited**

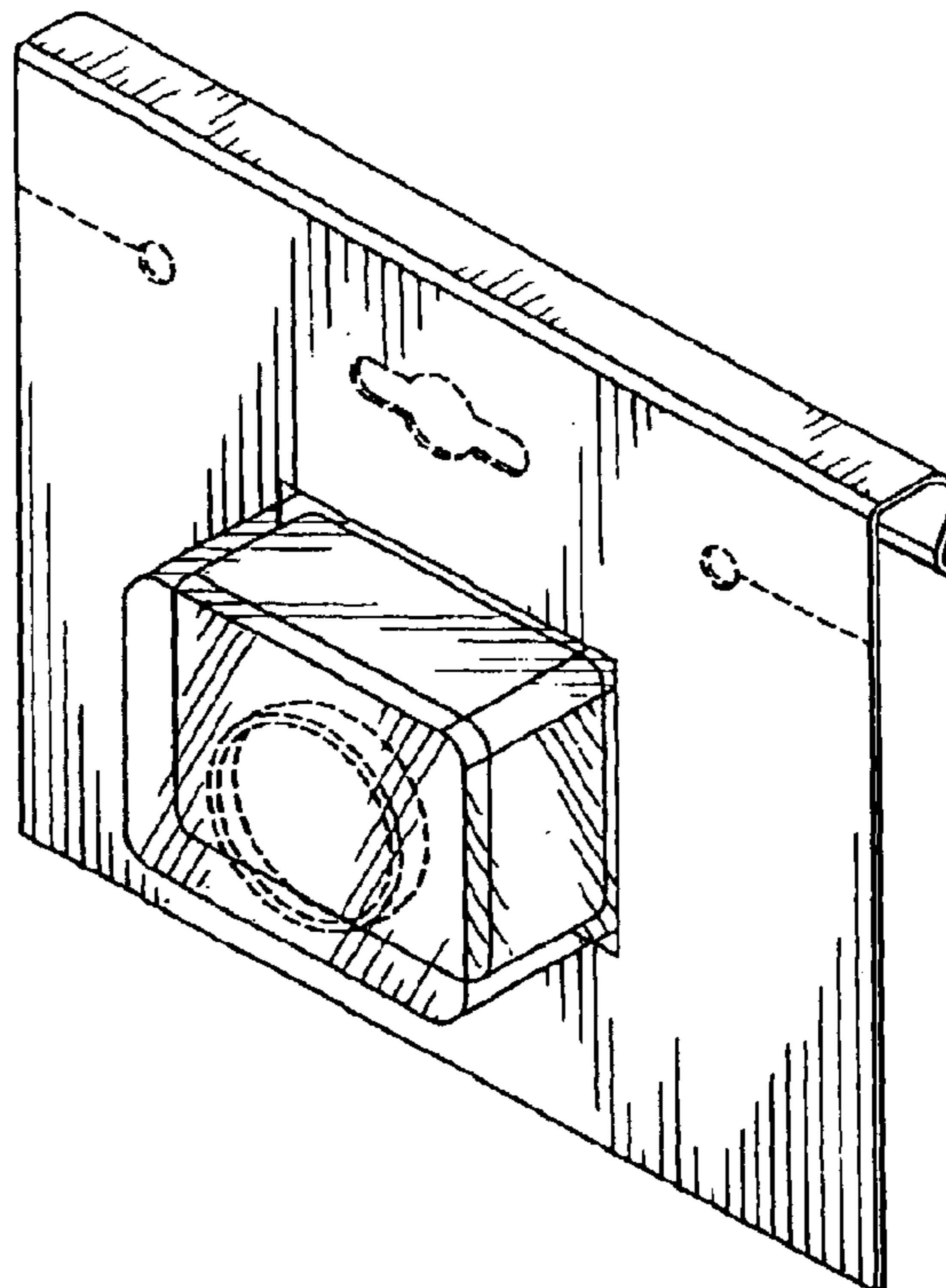
U.S. PATENT DOCUMENTS

3,173,540 A	3/1965	Lapides	
D211,448 S	* 6/1968	Seiferth D9/415
D211,449 S	* 6/1968	Seiferth D9/415
D234,294 S	* 2/1975	Gorman D9/415
D241,750 S	* 10/1976	Samming D9/415
4,016,972 A	4/1977	Szamborski	
4,091,927 A	5/1978	Lunsford	
4,175,660 A	11/1979	Feibelman	
4,466,534 A	8/1984	Dunn	
4,697,705 A	10/1987	Garganese	
D293,769 S	* 1/1988	Gilardone, Jr. D9/415
D306,561 S	* 3/1990	Lee D9/415

DESCRIPTION

FIG. 1 is a perspective view of a display hanger with blister pack showing my new design;
FIG. 2 is a front elevational view thereof;
FIG. 3 is a rear elevational view thereof;
FIG. 4 is a top plan view thereof;
FIG. 5 is a bottom plan view thereof;
FIG. 6 is a left side elevational view thereof; and,
FIG. 7 is a right side elevational view thereof.
The portions shown in broken lines are included for illustrative purposes only and form no part of the claimed design.

1 Claim, 3 Drawing Sheets



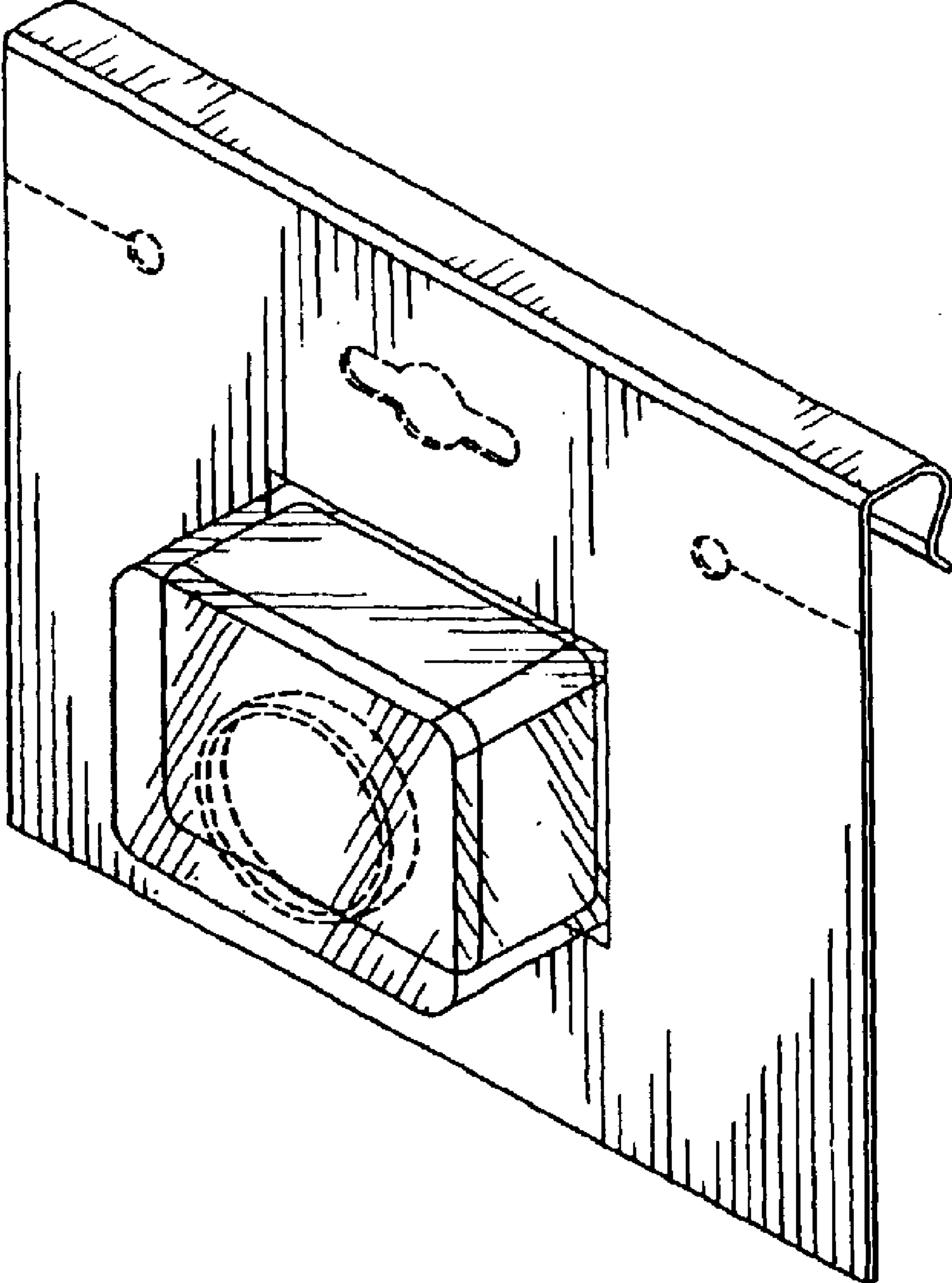


FIG. 1

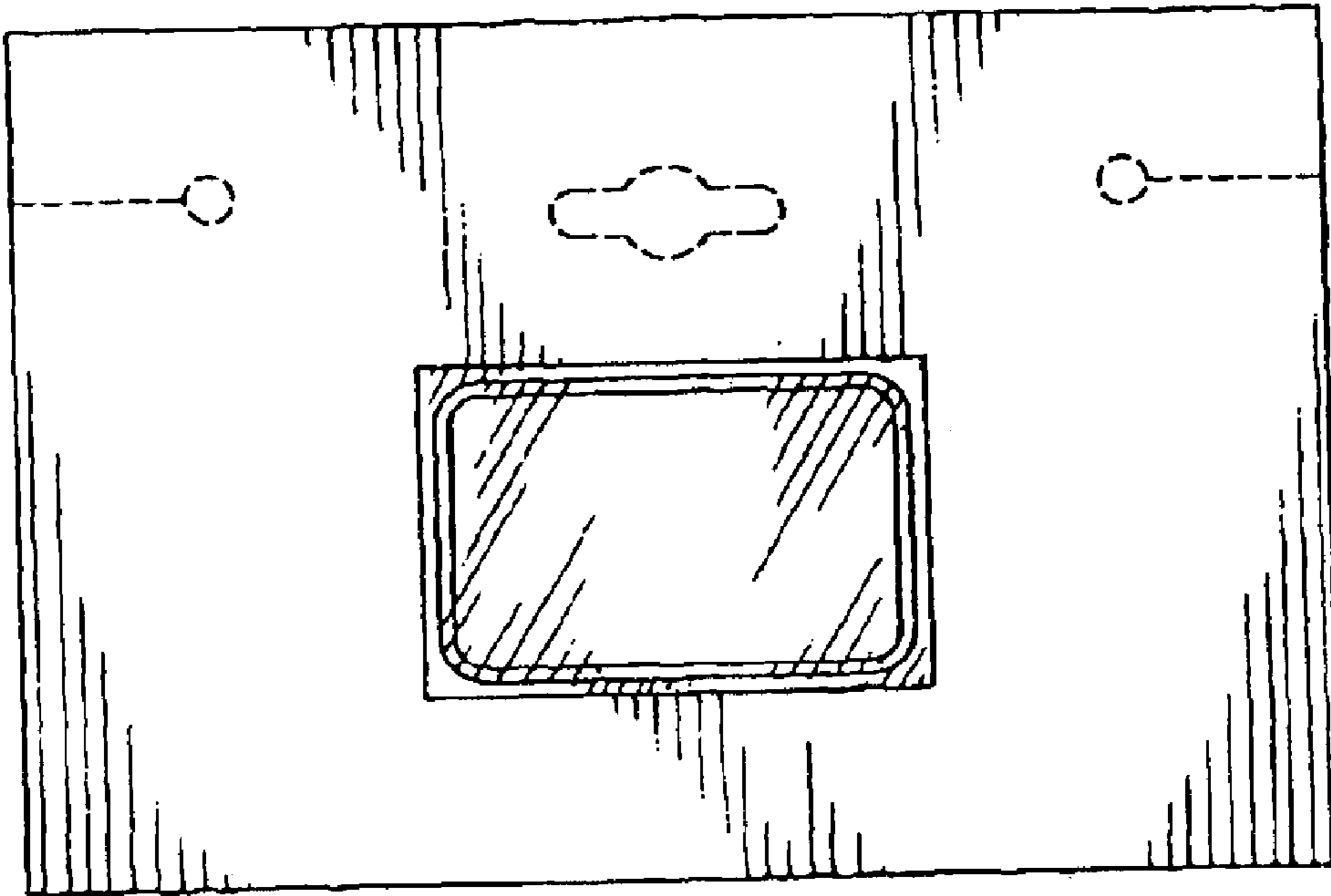


FIG. 2

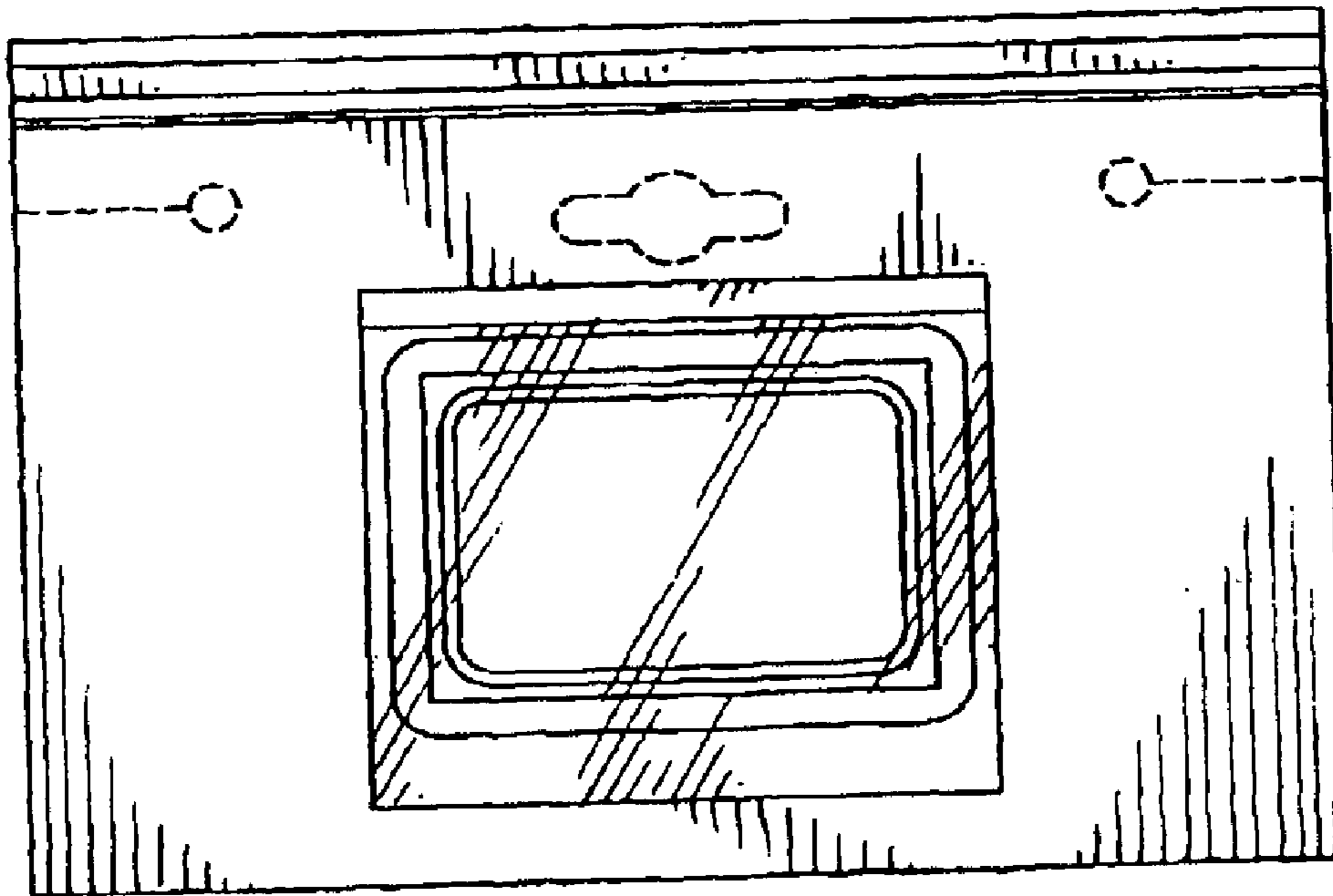


FIG. 3



FIG. 4

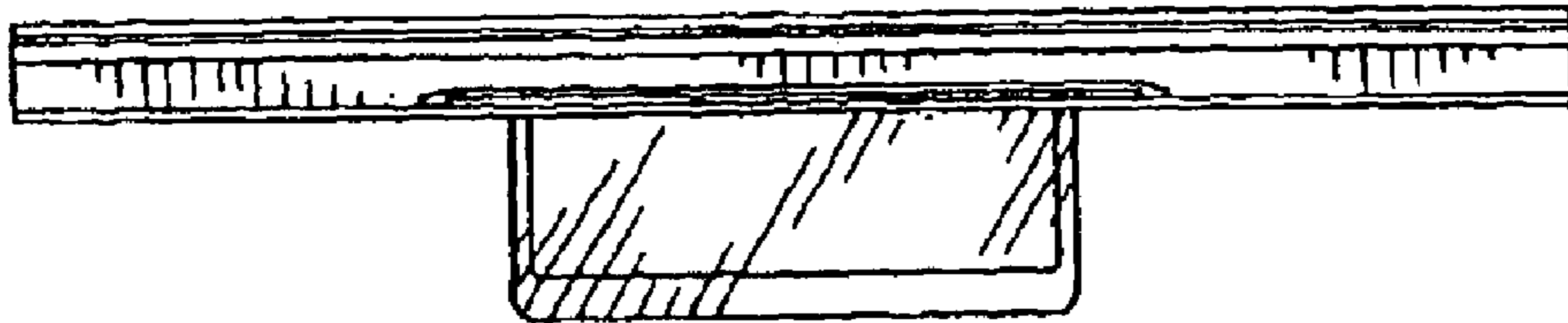


FIG. 5

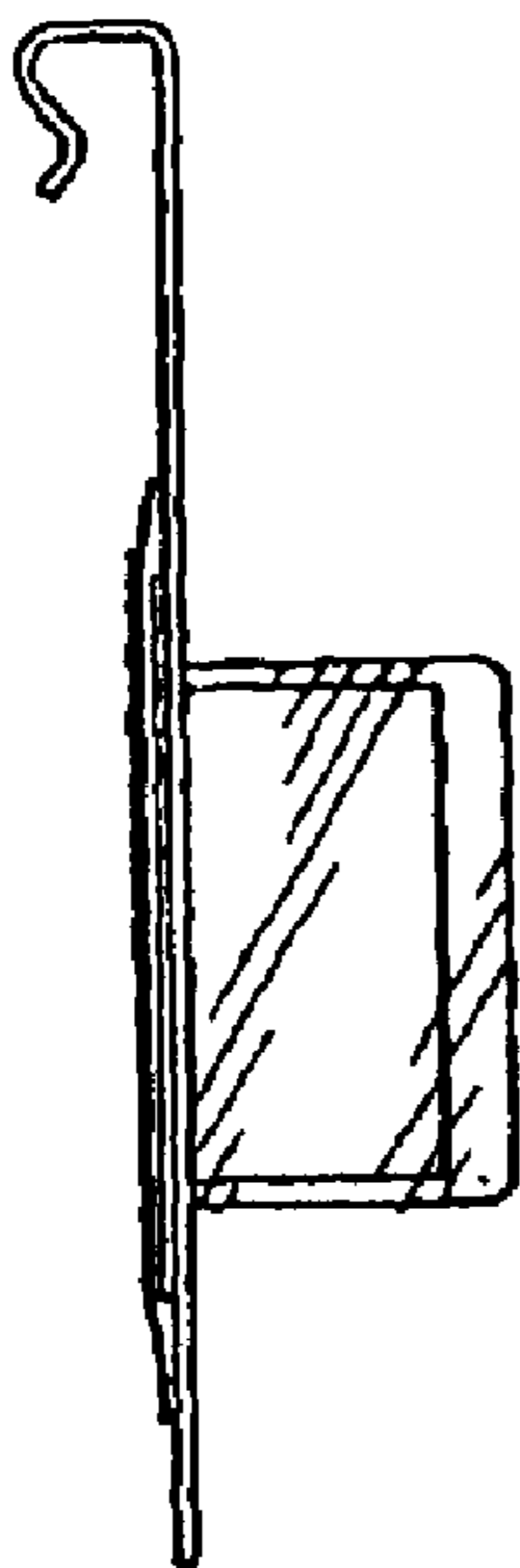


FIG. 6

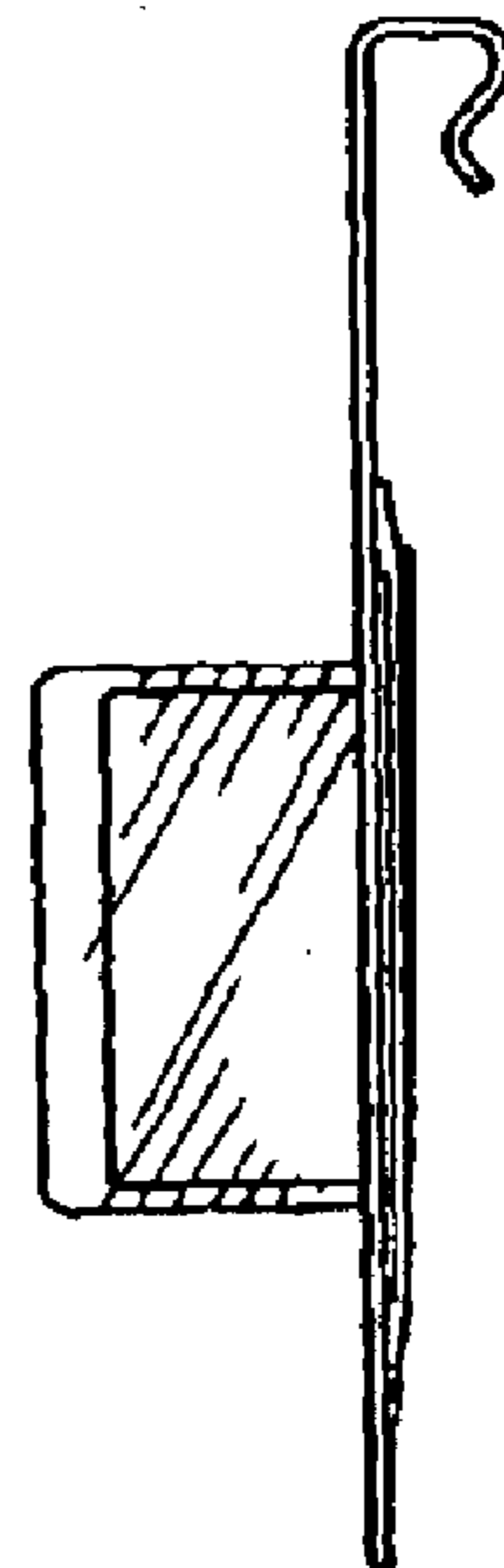


FIG. 7