

US00D501788S

(12) **United States Design Patent**
Richardson et al.

(10) **Patent No.:** **US D501,788 S**
(45) **Date of Patent:** **** Feb. 15, 2005**

(54) **STACKABLE HOSE REEL WITH ELEVATED CRANK**

D418,270 S * 12/1999 Tisbo et al. D34/24
6,386,473 B1 * 5/2002 Vitaletti 242/403.1

(75) Inventors: **Jed Richardson**, Batavia, IL (US);
Torrence Anderson, Overland Park, KS (US)

* cited by examiner

Primary Examiner—Joel A. Sincavage
Assistant Examiner—Elizabeth Albert
(74) *Attorney, Agent, or Firm*—McHale & Slavin, P.A.

(73) Assignee: **Suncast Corporation**, Batavia, IL (US)

(**) Term: **14 Years**

(57) **CLAIM**

The ornamental design for a stackable hose reel with elevated crank, as shown and described.

(21) Appl. No.: **29/195,484**

(22) Filed: **Dec. 12, 2003**

DESCRIPTION

(51) **LOC (7) Cl.** **08-05**

(52) **U.S. Cl.** **D8/359; D34/24**

(58) **Field of Search** D8/358, 359; D34/24,
D34/26; 137/355.16, 355.26, 355.27; 242/378,
378.1, 379, 379.2, 395, 398, 403.1, 405,
405.1, 405.3, 406, 407

FIG. 1 is a perspective view of the stackable hose reel with elevated crank of the instant invention, depicted in a folded position;

FIG. 2 is a left side view thereof;

FIG. 3 is a front elevation view thereof;

FIG. 4 is a right side view thereof;

FIG. 5 is a rear view thereof;

FIG. 6 is a top view thereof;

FIG. 7 is a bottom view thereof; and,

FIG. 8 perspective view with one hose reel stacked on top of a second hose reel.

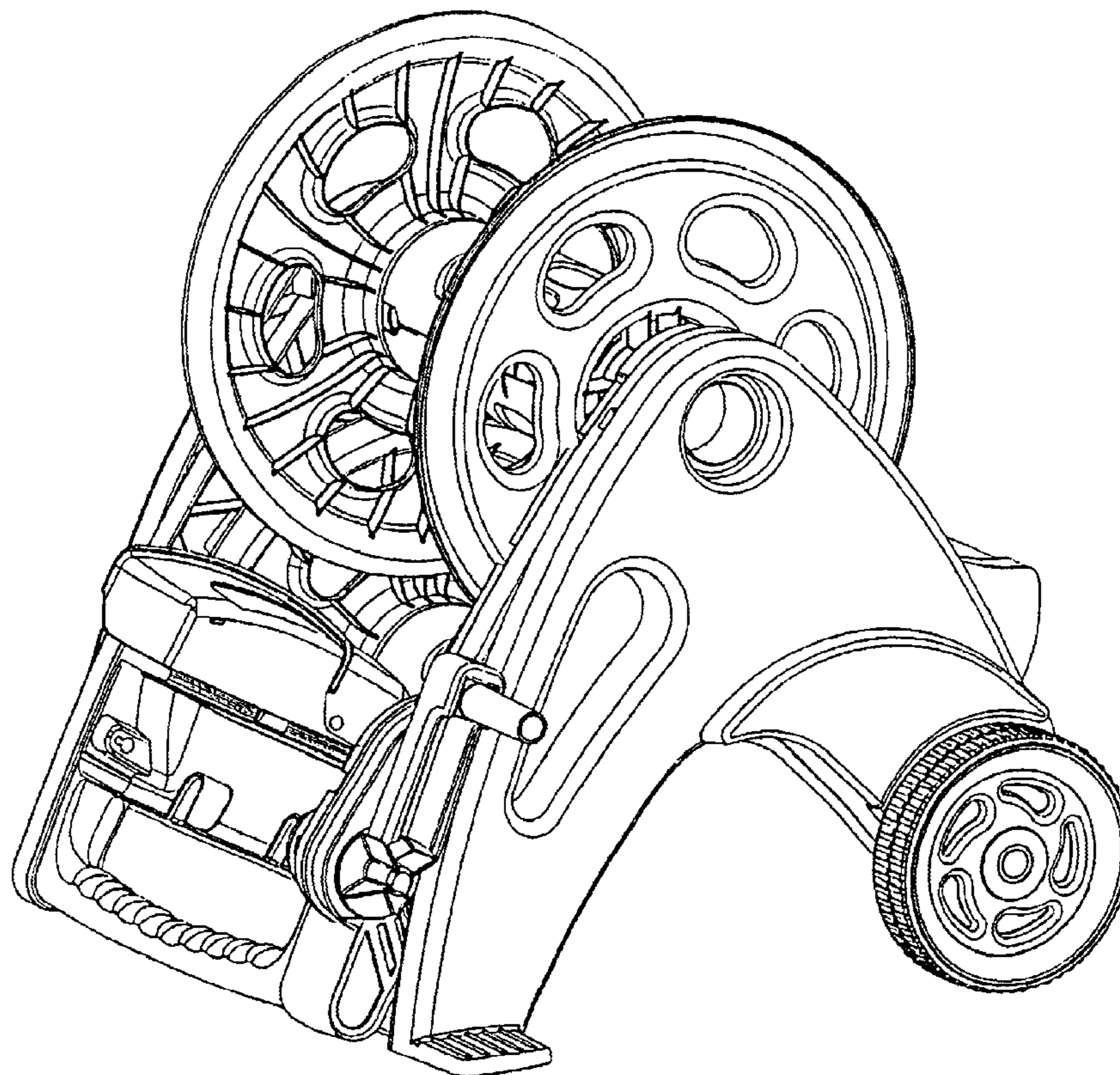
The broken lines showing environment in the drawings are for illustrative purposes only and form no part of the claimed design.

(56) **References Cited**

U.S. PATENT DOCUMENTS

D349,039 S * 7/1994 Goodman et al. D8/359
D352,149 S * 11/1994 Nelson et al. D34/26
D390,315 S * 2/1998 Spear et al. D34/24
D409,813 S * 5/1999 Tisbo et al. D34/24
5,988,552 A * 11/1999 Tisbo et al. 242/403.1
D417,538 S * 12/1999 Tisbo et al. D34/24

1 Claim, 8 Drawing Sheets



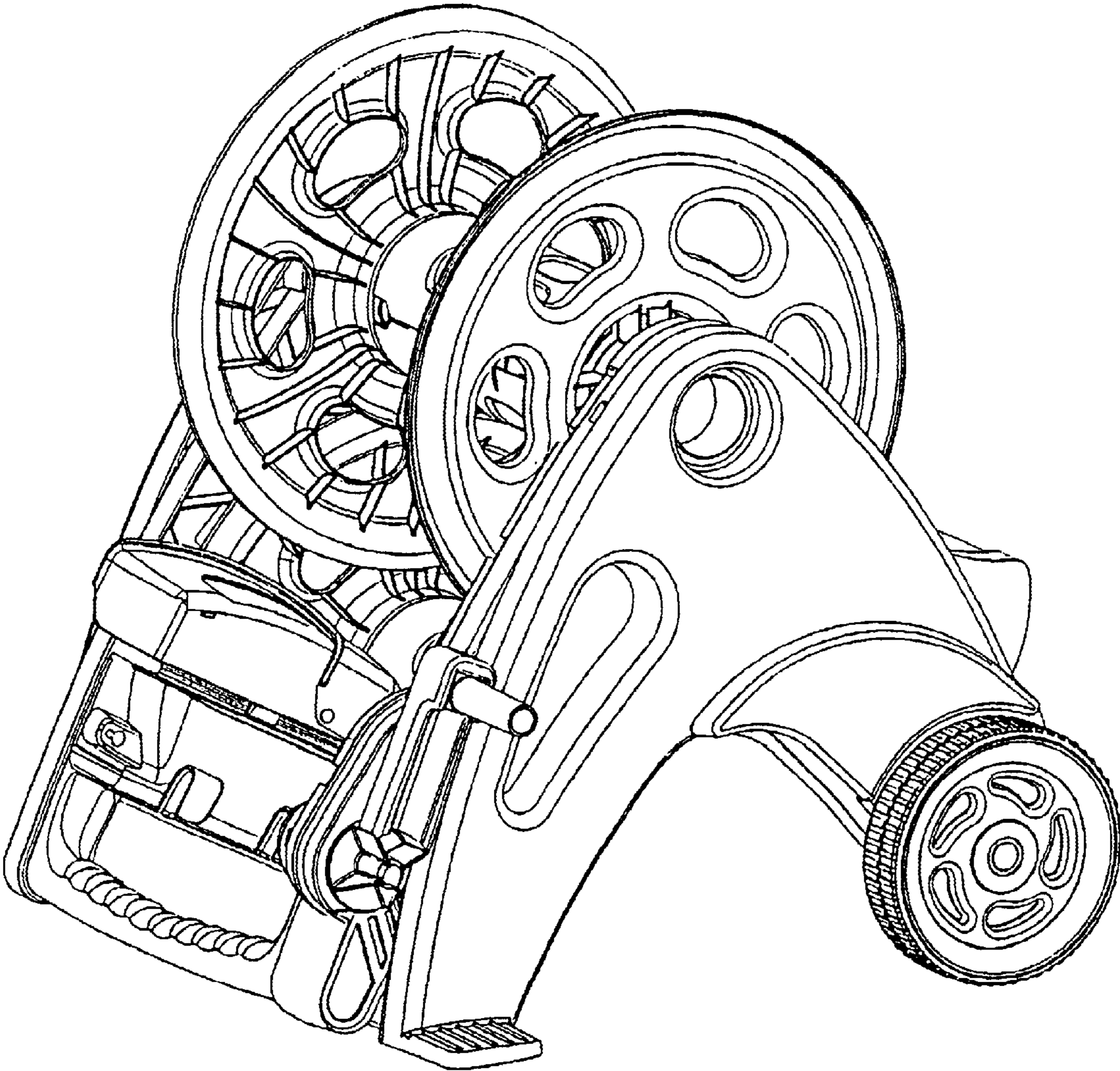


FIGURE 1

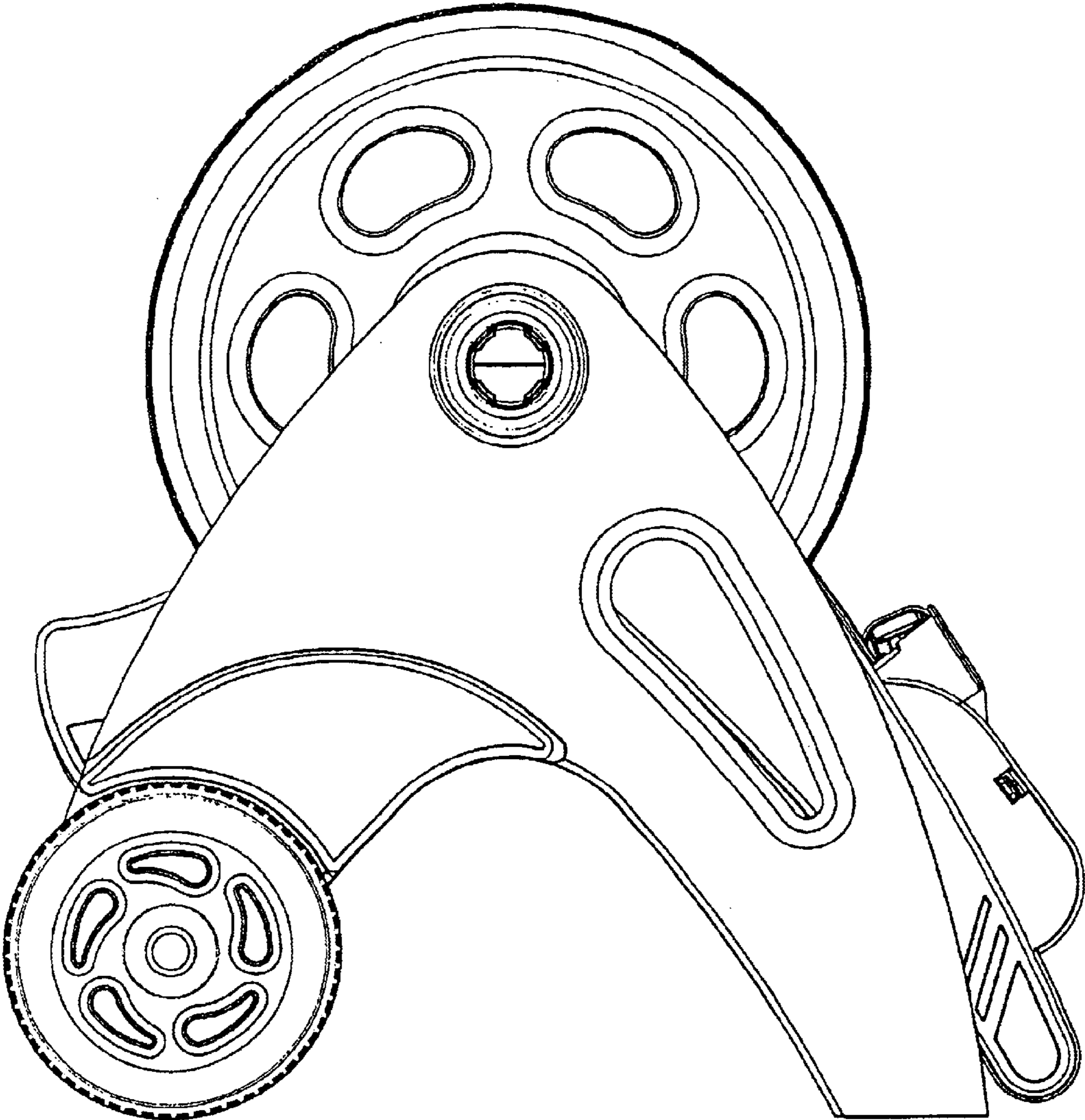


FIGURE 2

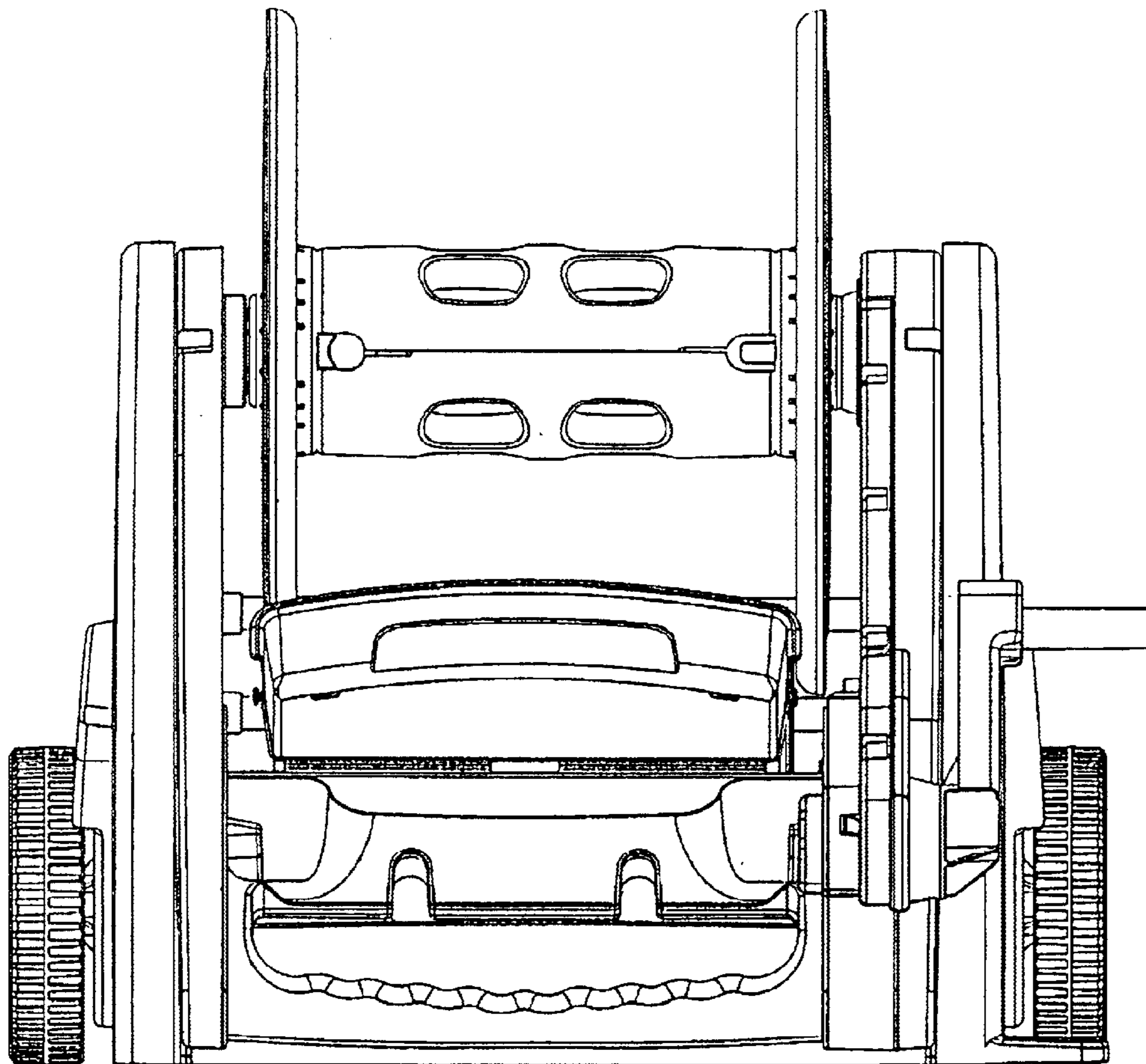


FIGURE 3

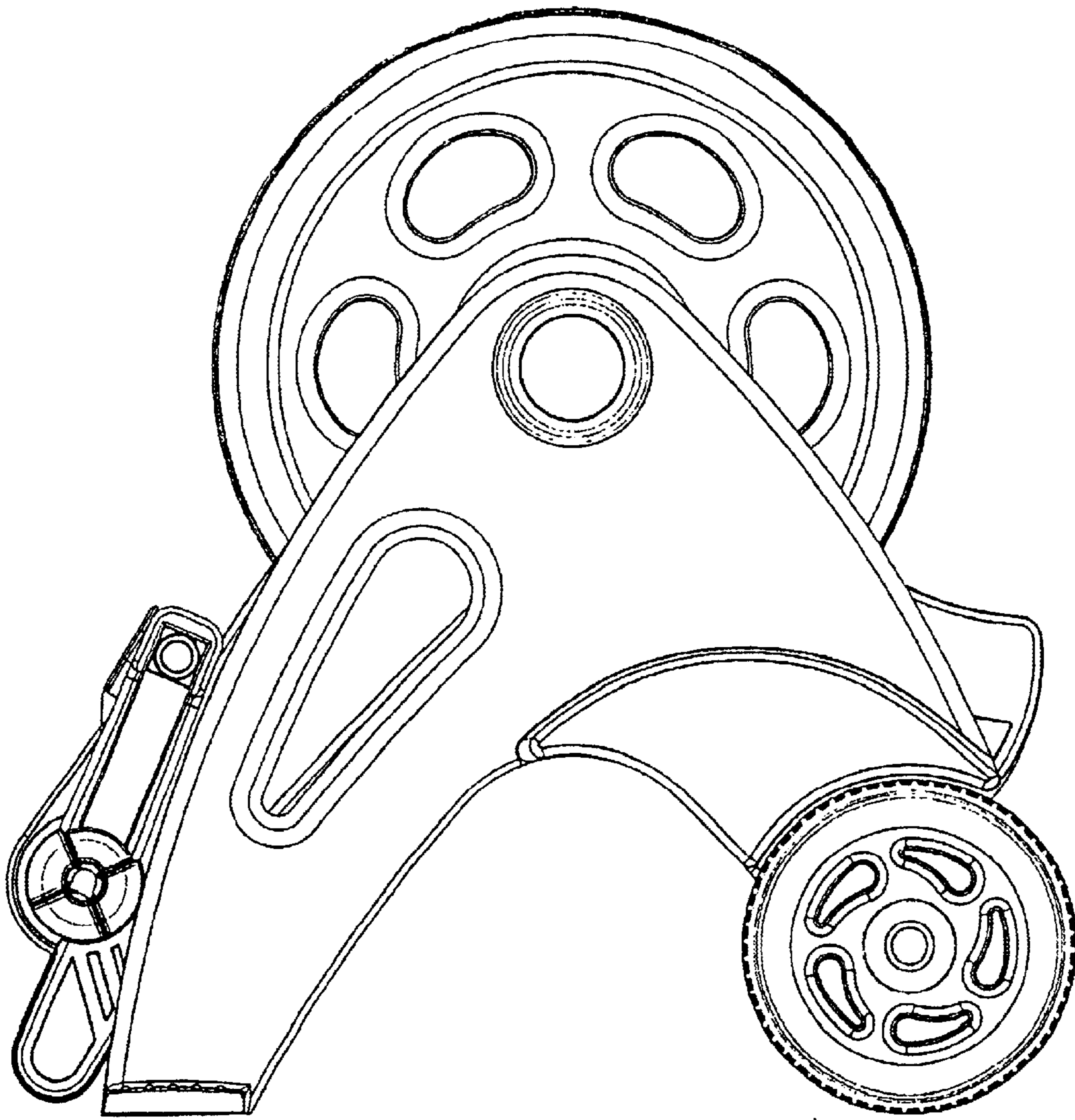


FIGURE 4

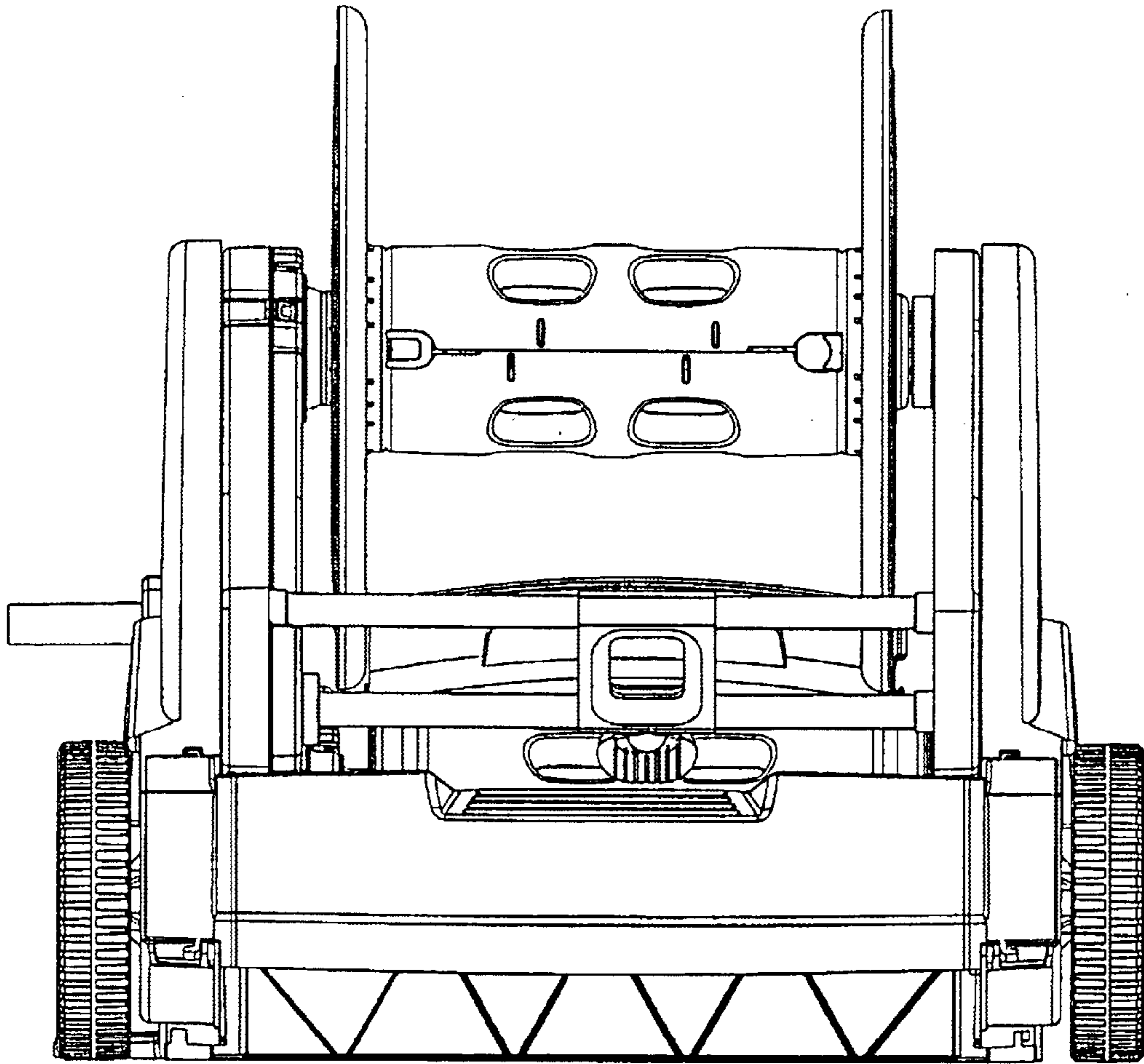


FIGURE 5

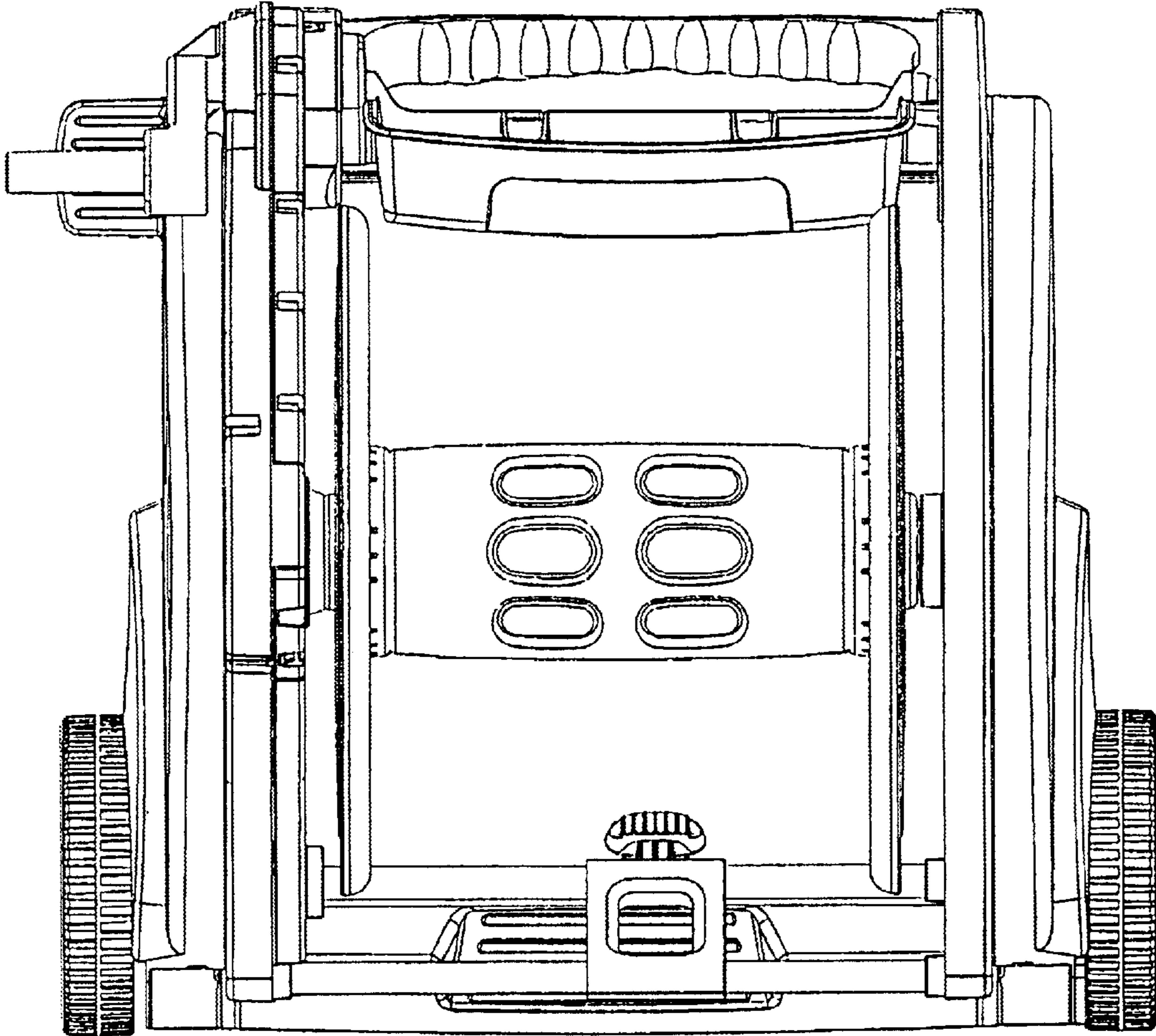


FIGURE 6

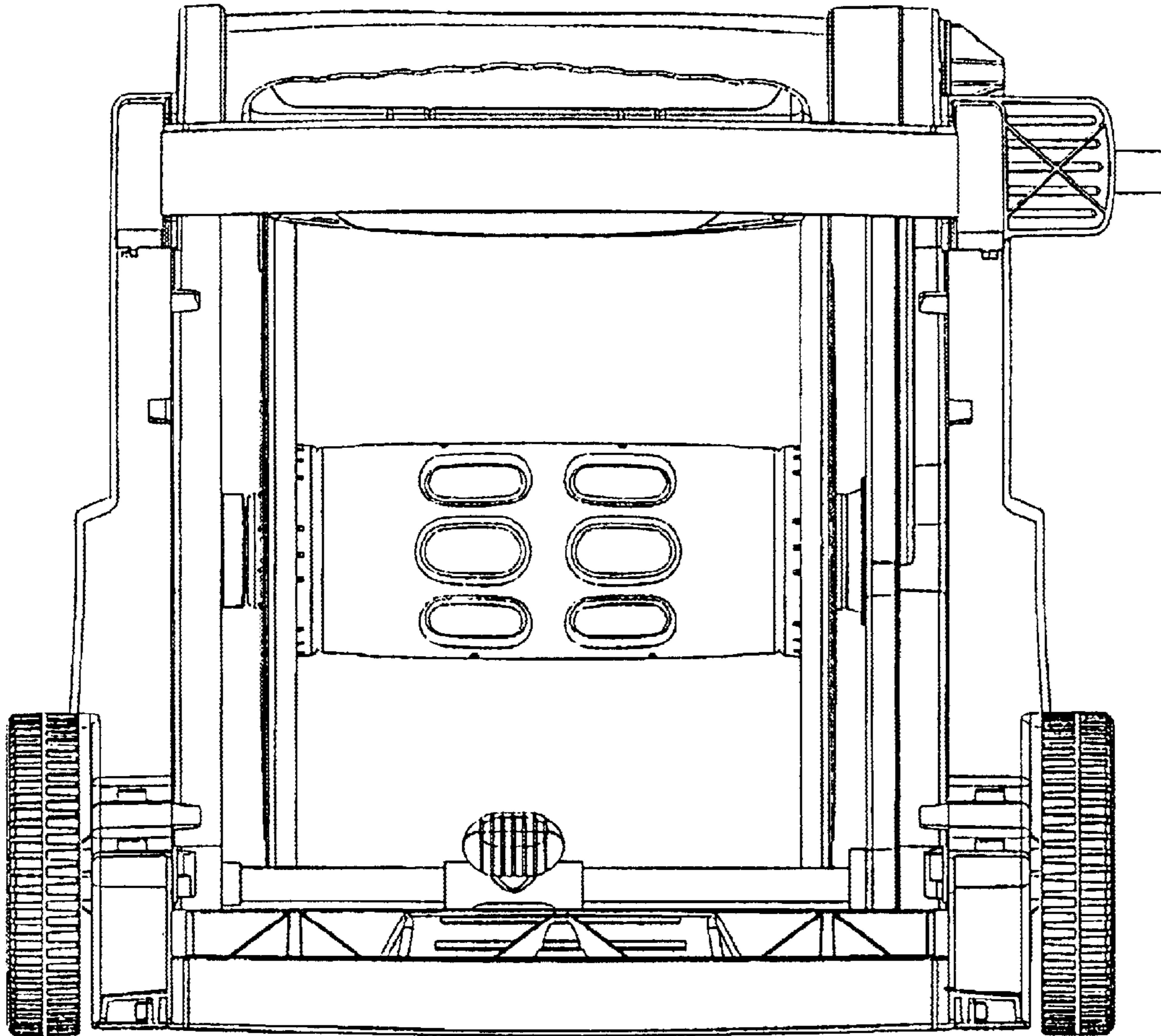


FIGURE 7

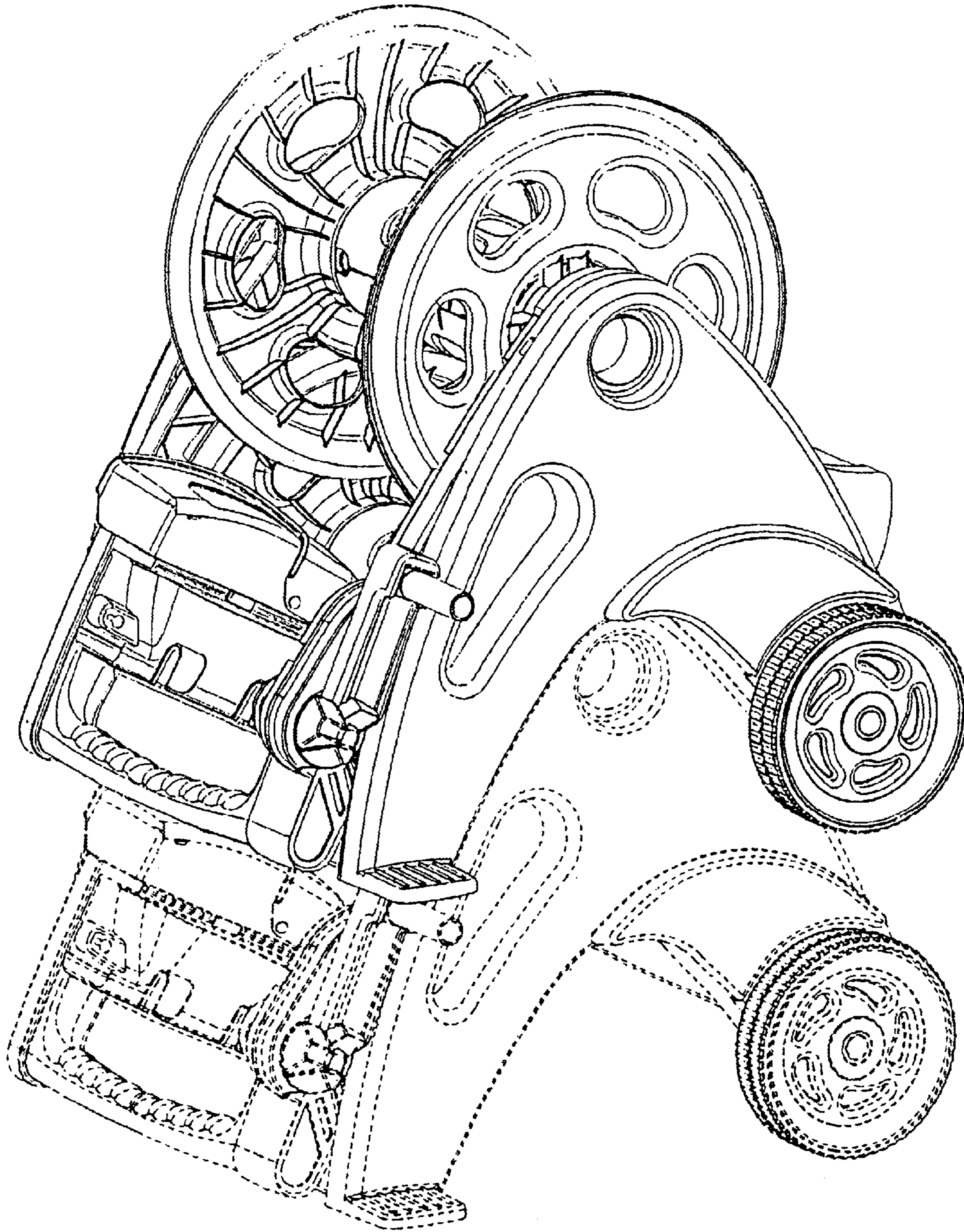


FIGURE 8