

US00D501787S

(12) **United States Design Patent**
Kelleghan

(10) **Patent No.:** **US D501,787 S**
(45) **Date of Patent:** **** Feb. 15, 2005**

(54) **SEA TURTLE SHAPED CARABINER**

D495,587 S * 9/2004 Kelleghan D8/356

(75) **Inventor:** **Brian James Kelleghan**, Longmont,
CO (US)

* cited by examiner

(73) **Assignee:** **Bison Designs, L.L.C.**, Longmont, CO
(US)

Primary Examiner—Joel A. Sincavage
Assistant Examiner—Elizabeth Albert

(**) **Term:** **14 Years**

(74) *Attorney, Agent, or Firm*—Margaret Polson; Patent
Law Offices of Rick Martin, P.C.

(21) **Appl. No.:** **29/197,758**

(57) **CLAIM**

(22) **Filed:** **Jan. 19, 2004**

The ornamental design for a sea turtle shaped carabiner, as
shown and described.

(51) **LOC (7) Cl.** **08-05**

DESCRIPTION

(52) **U.S. Cl.** **D8/356**

FIG. 1 is a top or bottom plan view, which are mirror images,
of my new design for a sea turtle shaped carabiner.

(58) **Field of Search** D1/106, 107, 126;
D8/333, 356, 367; D11/133, 134, 157, 211;
24/588.1, 588.11, 598.2, 598.3, 599.1, 599.5,
599.6, 599.9, 600.1; 294/82.19, 82.2; 428/13,
542.4, 542.6

FIG. 2 is a right side elevation view of the carabiner shown
in FIG. 1.

FIG. 3 is a left side elevation view of the carabiner shown
in FIG. 1.

(56) **References Cited**

U.S. PATENT DOCUMENTS

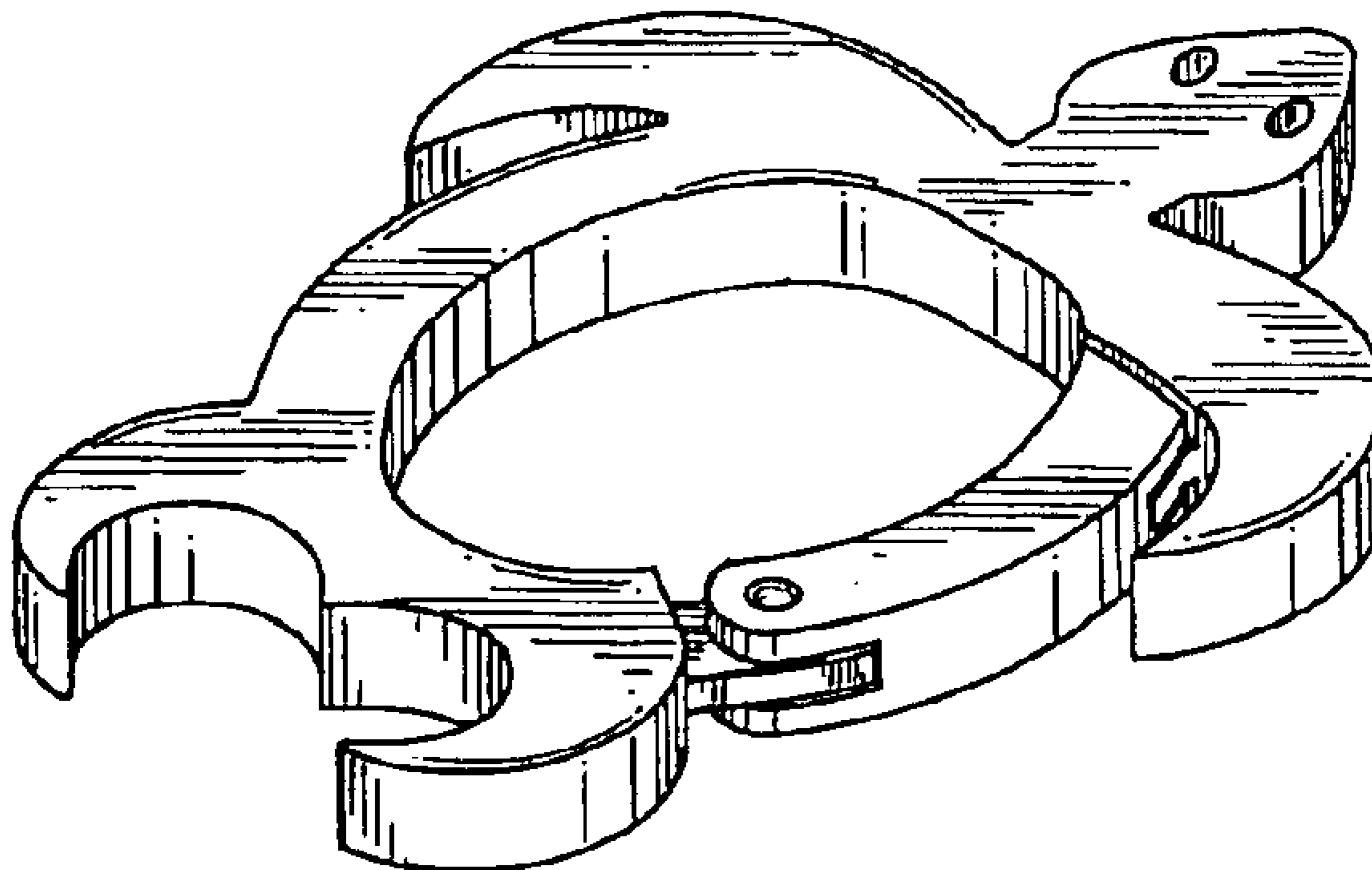
- D343,943 S * 2/1994 Mottur et al. D1/111
- D392,594 S * 3/1998 Akins et al. D11/158
- 6,082,035 A * 7/2000 Groff 43/2
- D476,218 S 6/2003 Kelleghan
- D488,973 S * 4/2004 Kelleghan D8/38

FIG. 4 is a front elevation view of the carabiner shown in
FIG. 1.

FIG. 5 is a rear elevation view of the carabiner shown in
FIG. 1; and,

FIG. 6 is a top perspective view of the carabiner shown in
FIG. 1.

1 Claim, 1 Drawing Sheet



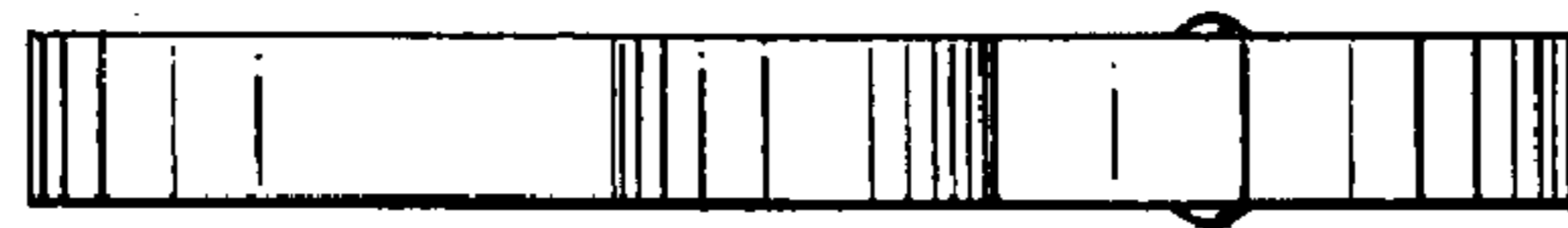


FIG. 4

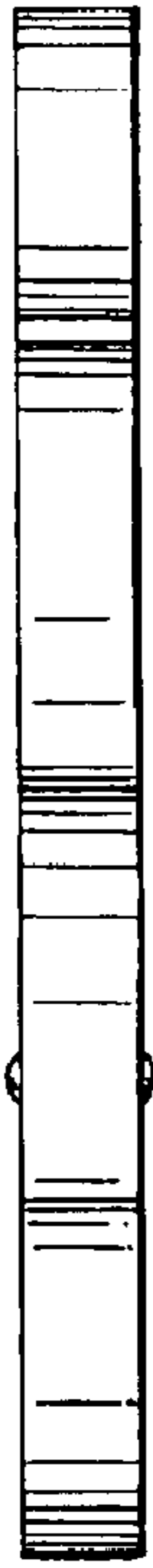


FIG. 2

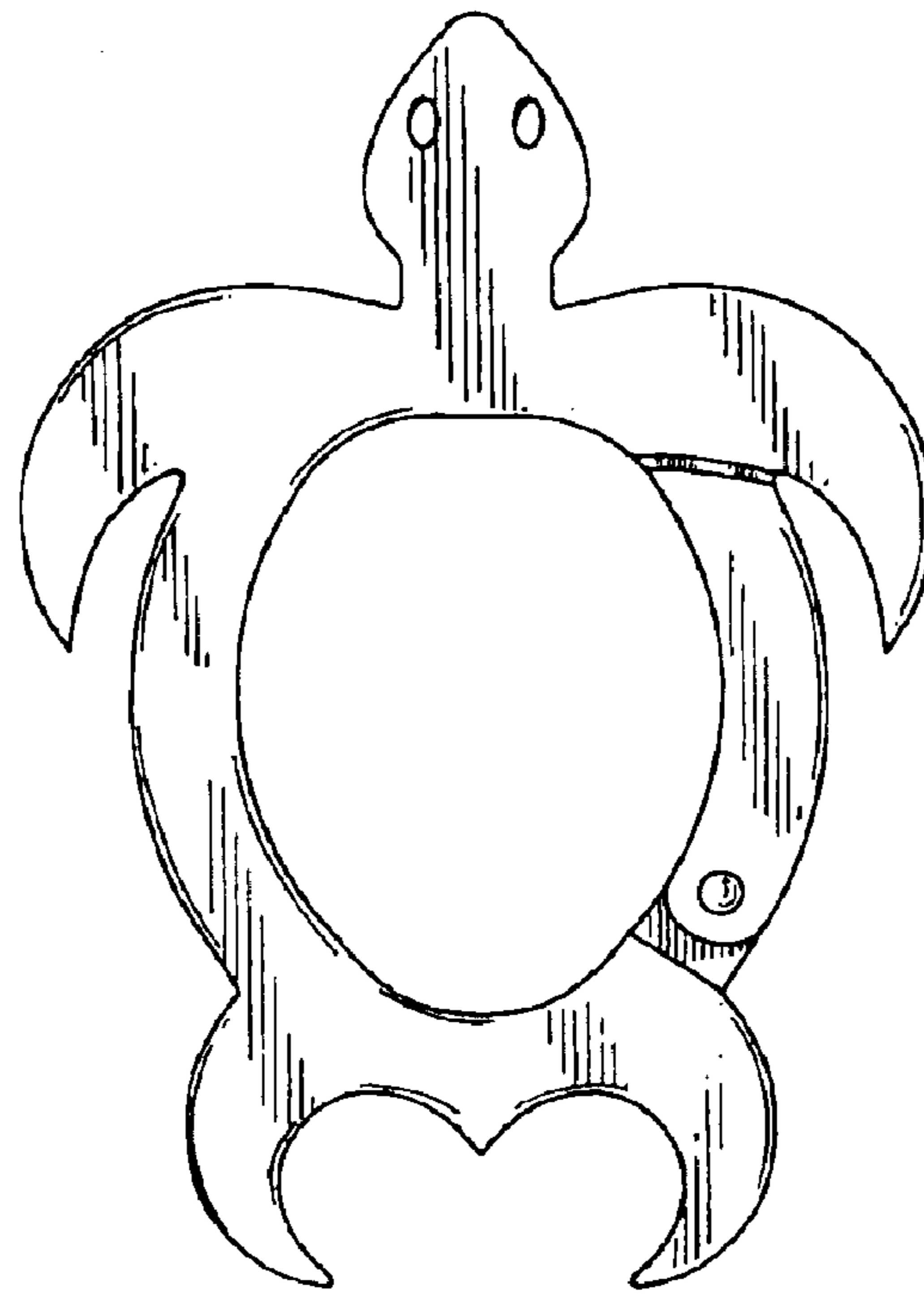


FIG. 1



FIG. 3



FIG. 5

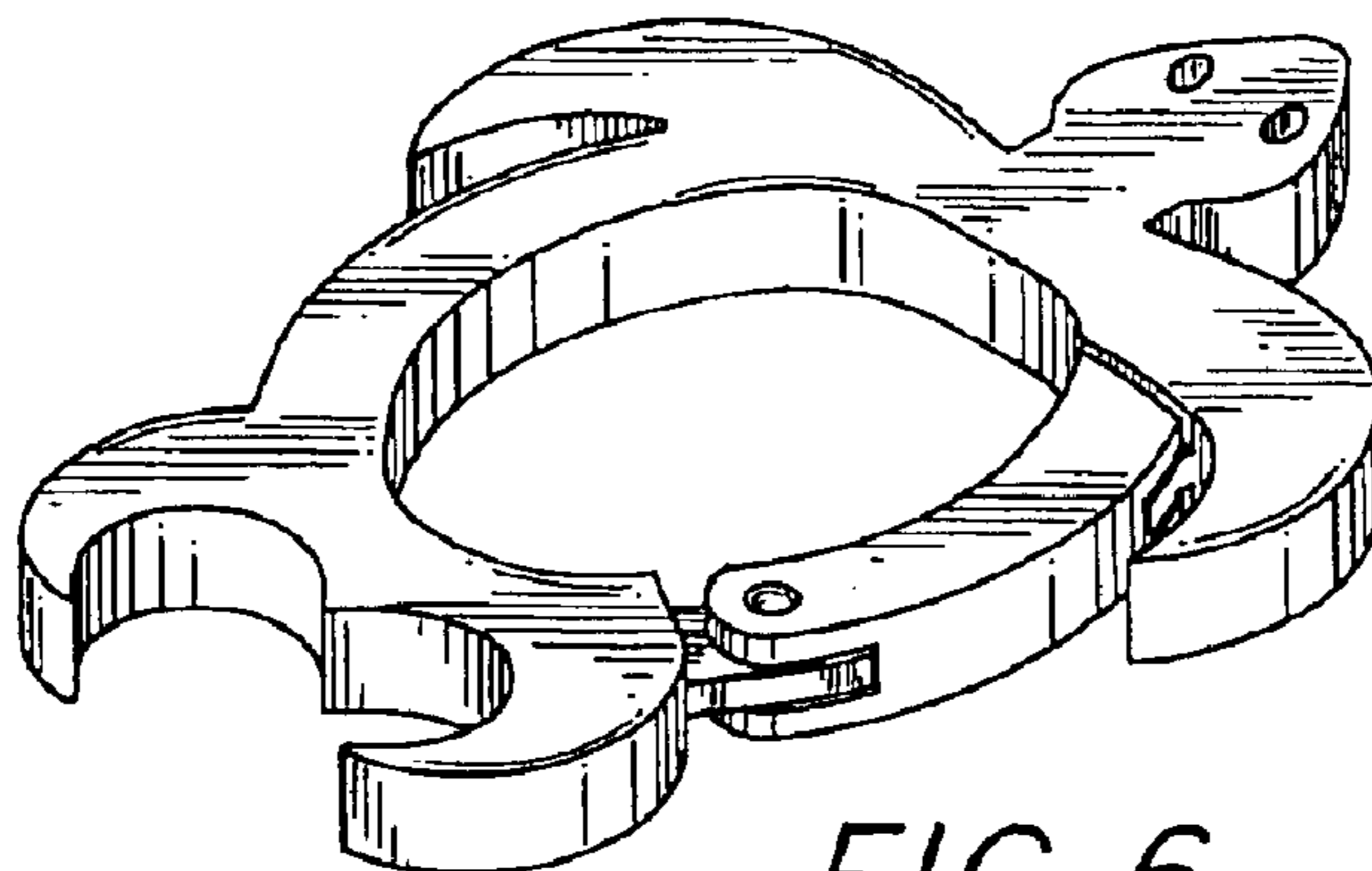


FIG. 6