

US00D501786S

(12) **United States Design Patent**  
**Zambon et al.**

(10) **Patent No.: US D501,786 S**

(45) **Date of Patent: \*\* Feb. 15, 2005**

(54) **BRACKET FOR SHAKLELESS PADLOCK**

6,050,114 A \* 4/2000 Park ..... 70/2  
D452,134 S \* 12/2001 Johns ..... D8/345  
6,327,878 B1 \* 12/2001 Levenson ..... 70/14

(76) Inventors: **Michael Zambon**, 22020 S. Howell  
Dr., New Lenox, IL (US) 60451;  
**Michael Stanton**, 14408 W. Edison Dr.,  
Unit A, New Lenox, IL (US) 60451

\* cited by examiner

*Primary Examiner*—Prabhakar Deshmukh  
(74) *Attorney, Agent, or Firm*—Leydig, Voit & Mayer

(\*\*) Term: **14 Years**

(57) **CLAIM**

(21) Appl. No.: **29/193,961**

The ornamental design for a bracket for shakleless padlock,  
substantially as shown and described.

(22) Filed: **Nov. 17, 2003**

**DESCRIPTION**

(51) **LOC (7) Cl.** ..... **08-07**

(52) **U.S. Cl.** ..... **D8/344; D8/343**

(58) **Field of Search** ..... D8/330, 331, 343,  
D8/344, 334, 346; 70/14, 18, 19, 20, 32–34,  
51–56; 292/205, 184, 45, 54, 340; 403/384,  
386, 396, 399

FIG. 1 is a top, front and right perspective view of a bracket  
for shakleless padlock showing our new design, shown in an  
assembled position;

FIG. 2 is an exploded perspective view thereof;

FIG. 3 is a front elevational view of the door mount portion  
of the bracket of FIG. 1;

FIG. 4 is a top plan view thereof;

FIG. 5 is a side elevational view thereof;

FIG. 6 is a back elevational view of the backing plate portion  
of the bracket of FIG. 1, the front view of the plate being the  
same;

FIG. 7 is a top plan view thereof;

FIG. 8 is a side plan view thereof;

FIG. 9 is a side plan view of the lower base mount portion  
of the bracket of FIG. 1;

FIG. 10 is a top plan view thereof; and,

FIG. 11 is an end plan view thereof.

The broken lines are for illustrative purpose only and form  
no part of the claimed design. The door mount (FIGS. 3–5)  
the backing plate (FIGS. 6–8) and lower base mount (FIGS.  
9–11) portions of the design are shown separately for clarity.

(56) **References Cited**

**U.S. PATENT DOCUMENTS**

3,570,283	A	*	3/1971	Males	.....	70/14
3,769,821	A		11/1973	Randel		
4,345,448	A		8/1982	Solomon		
4,569,545	A	*	2/1986	Hartmann et al.	.....	292/281
4,754,626	A		7/1988	Siegel		
4,781,043	A	*	11/1988	Loeffler	.....	70/54
4,852,920	A	*	8/1989	DeForrest, Sr.	.....	292/205
4,896,518	A		1/1990	Appelgren		
4,955,215	A	*	9/1990	Eremita	.....	70/18
D319,964	S		9/1991	Johns		
5,127,244	A		7/1992	Myers		
5,544,505	A		8/1996	McIntosh et al.		
D373,902	S	*	9/1996	Wang	.....	D3/318
D374,739	S	*	10/1996	Blanton	.....	D26/138
5,732,575	A	*	3/1998	Kaveney	.....	70/2

**1 Claim, 5 Drawing Sheets**

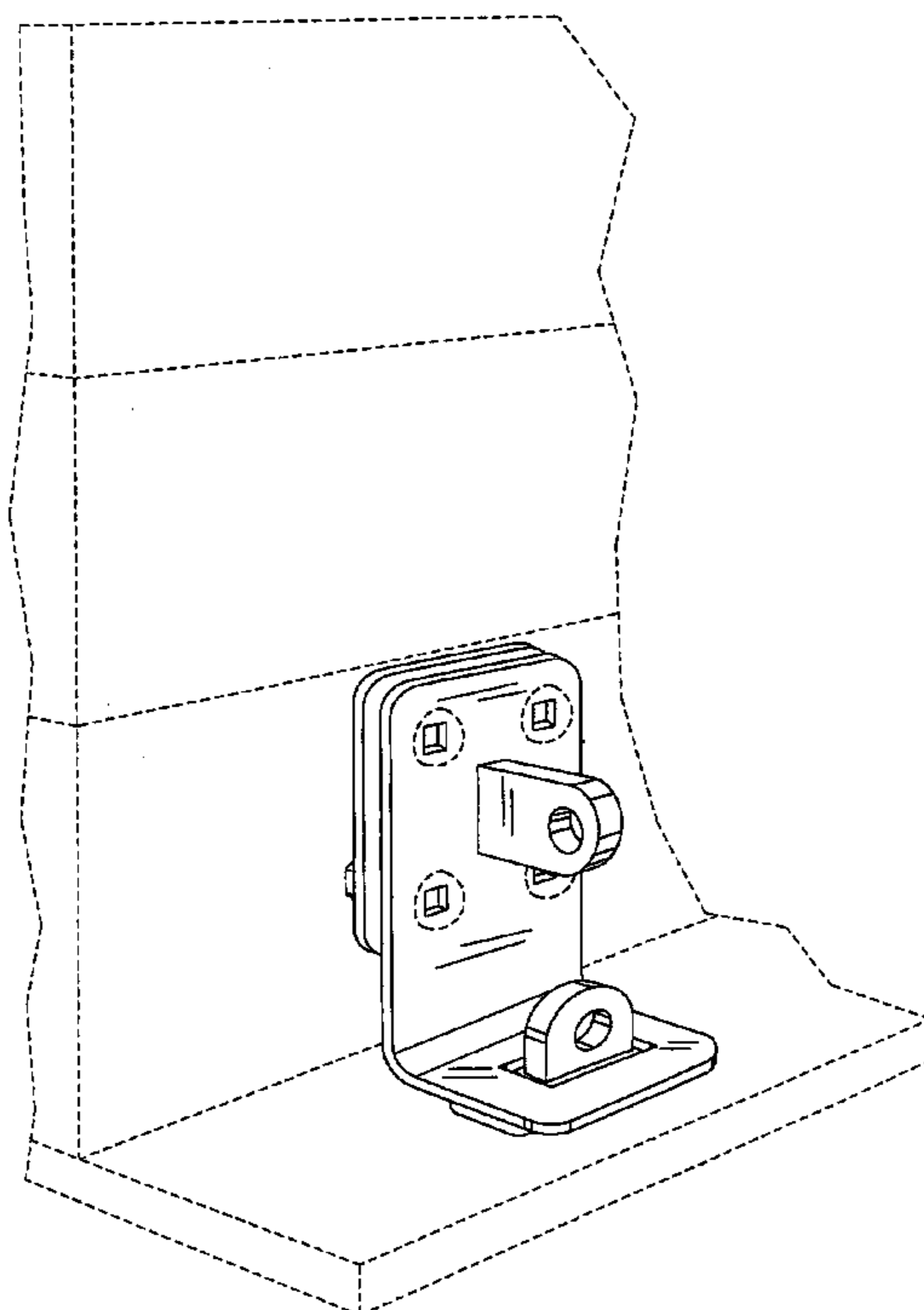


FIG. 1

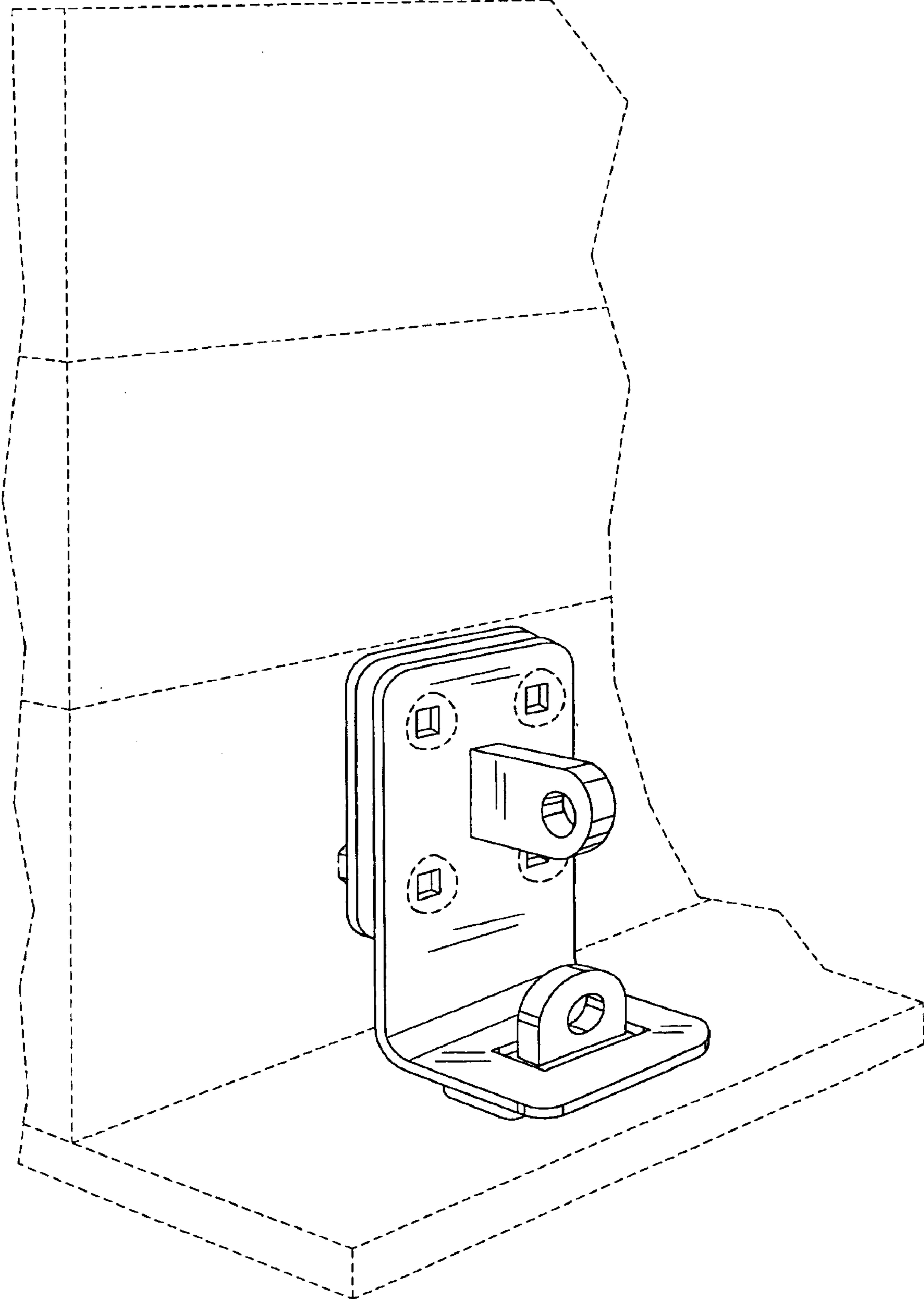


FIG. 2

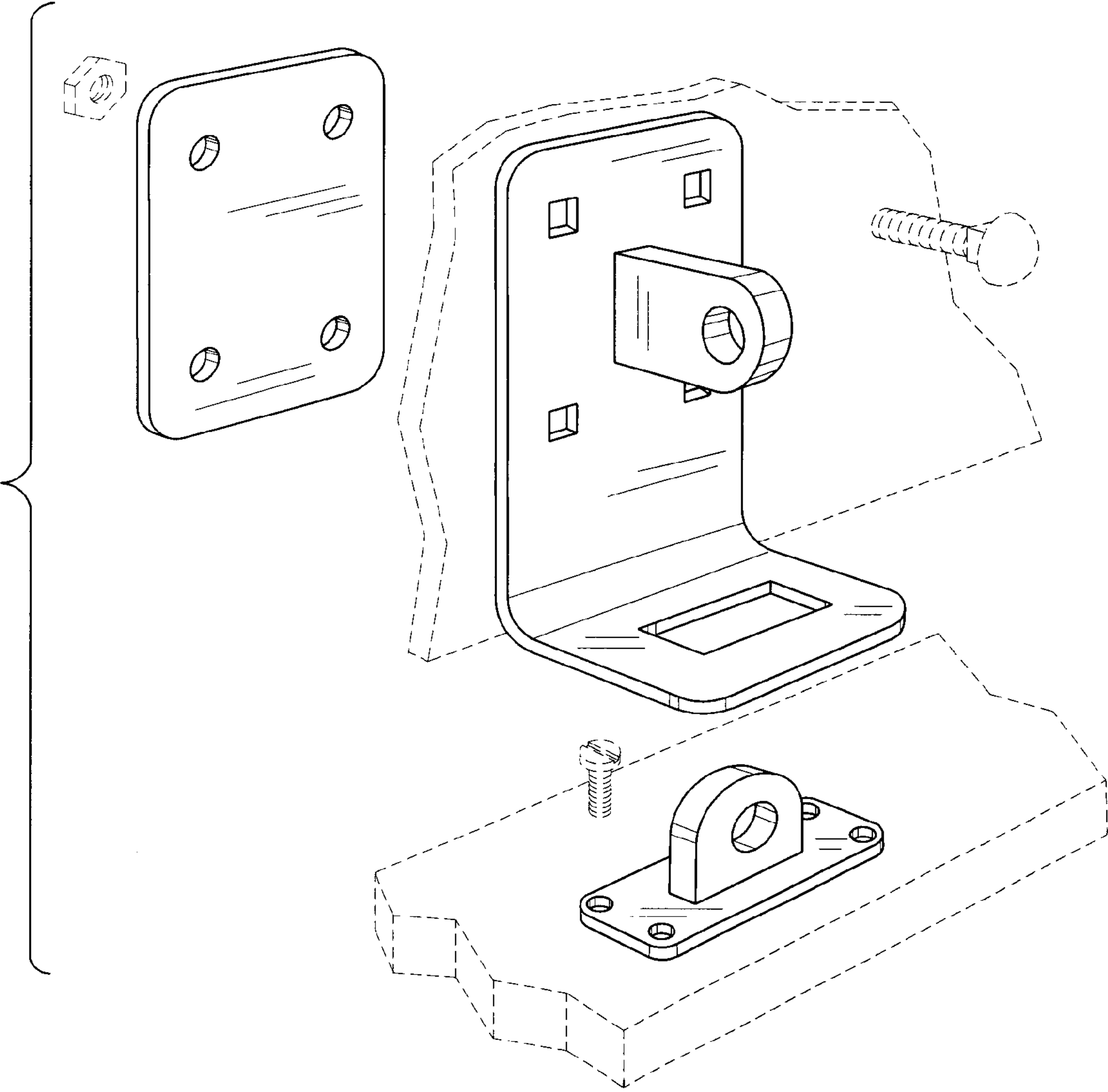


FIG. 4

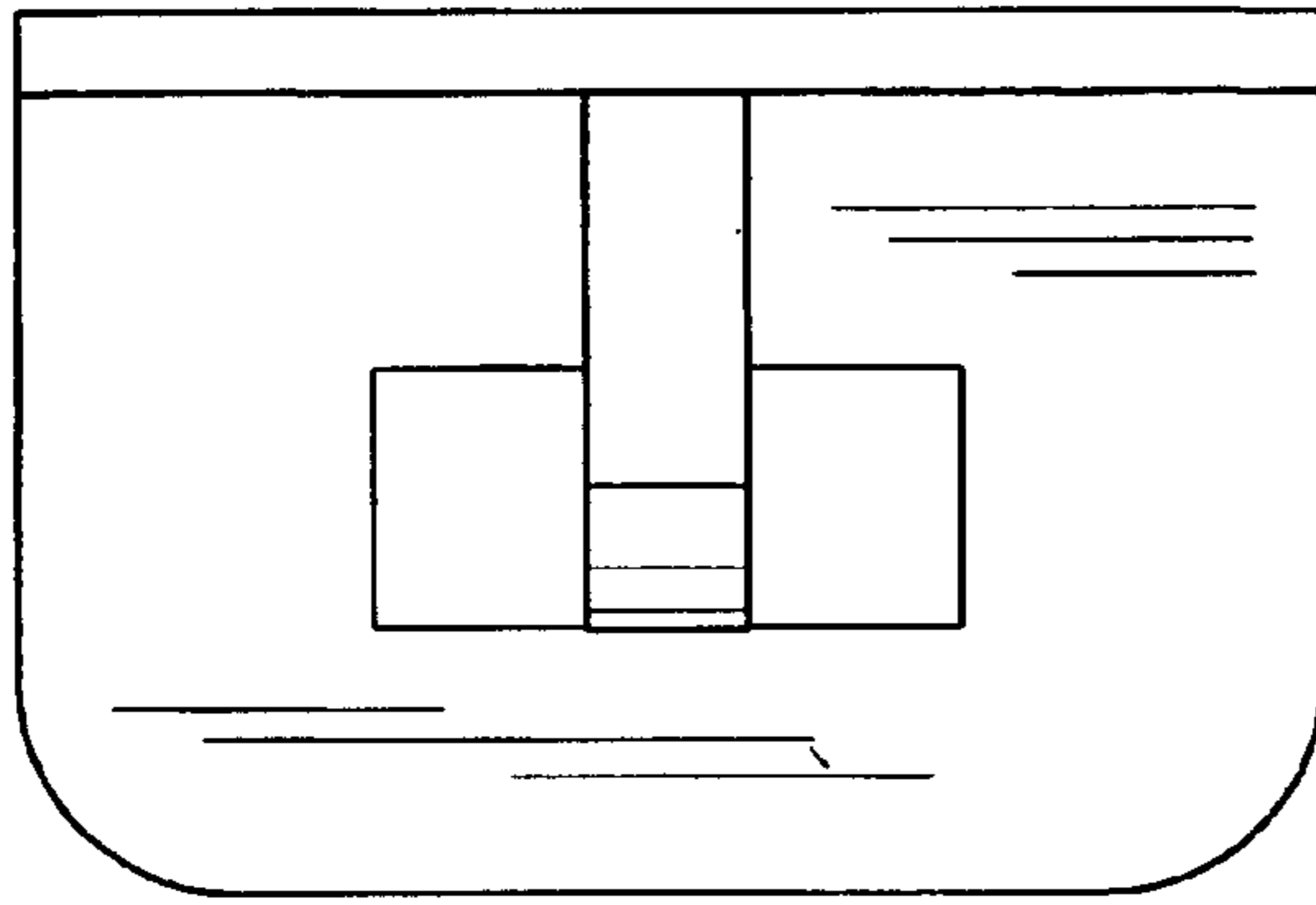


FIG. 3

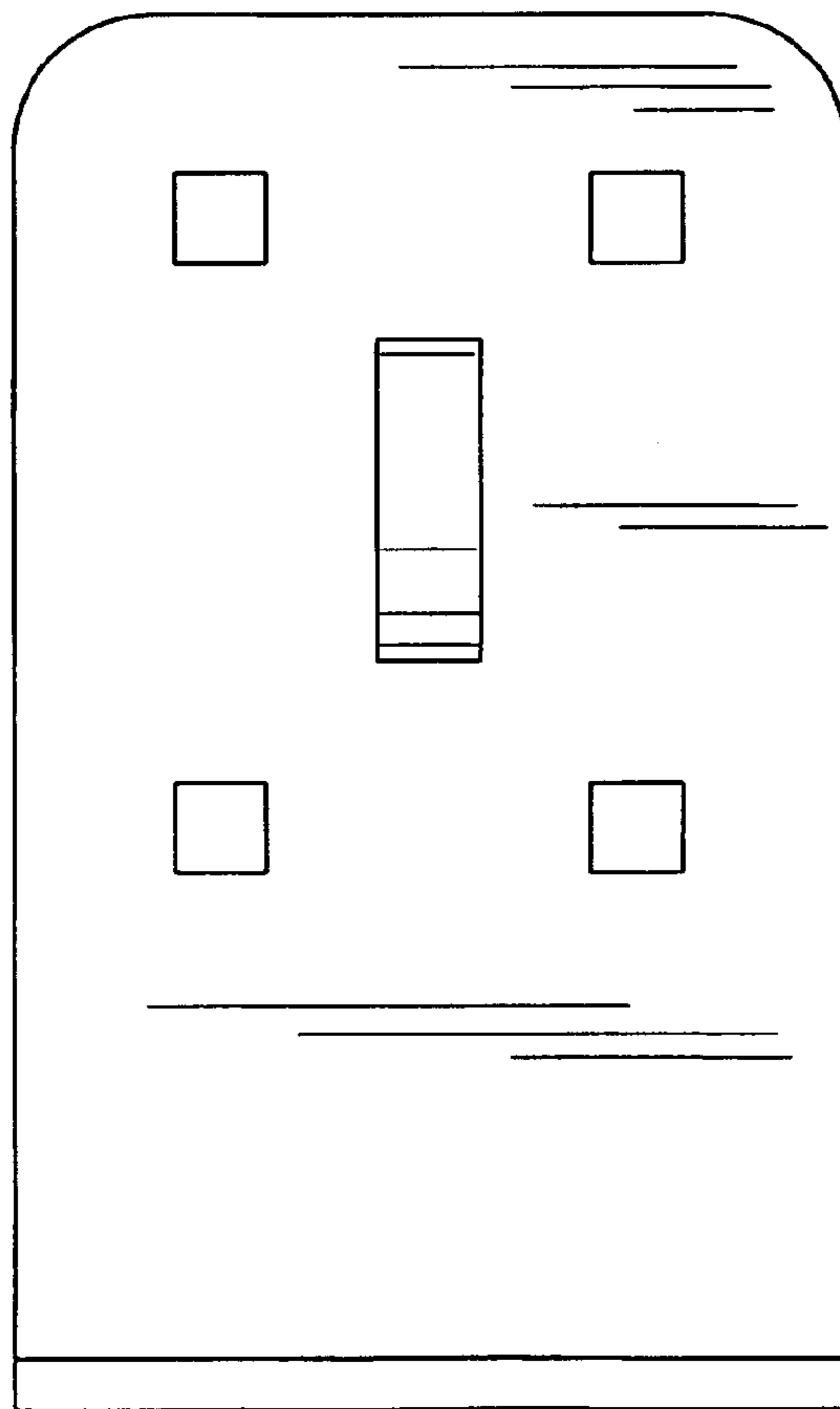


FIG. 5

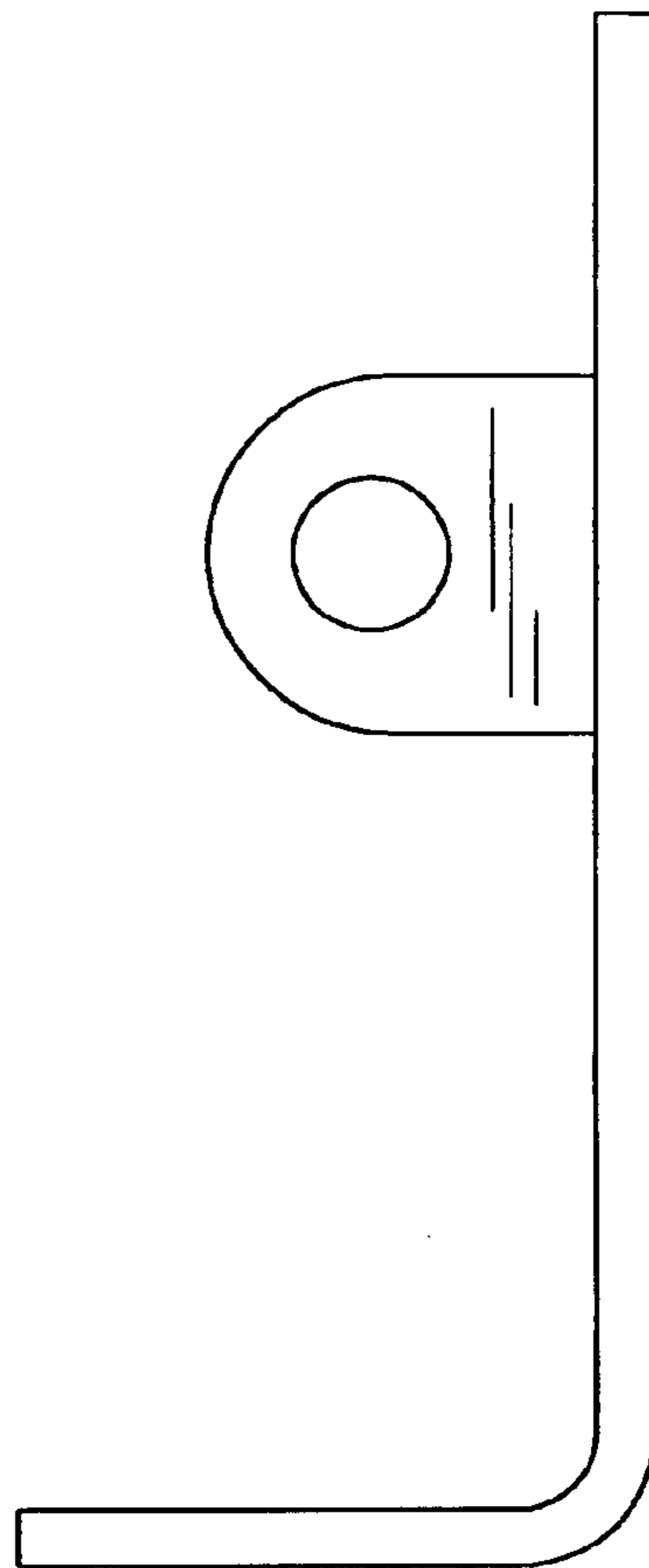


FIG. 7



FIG. 6

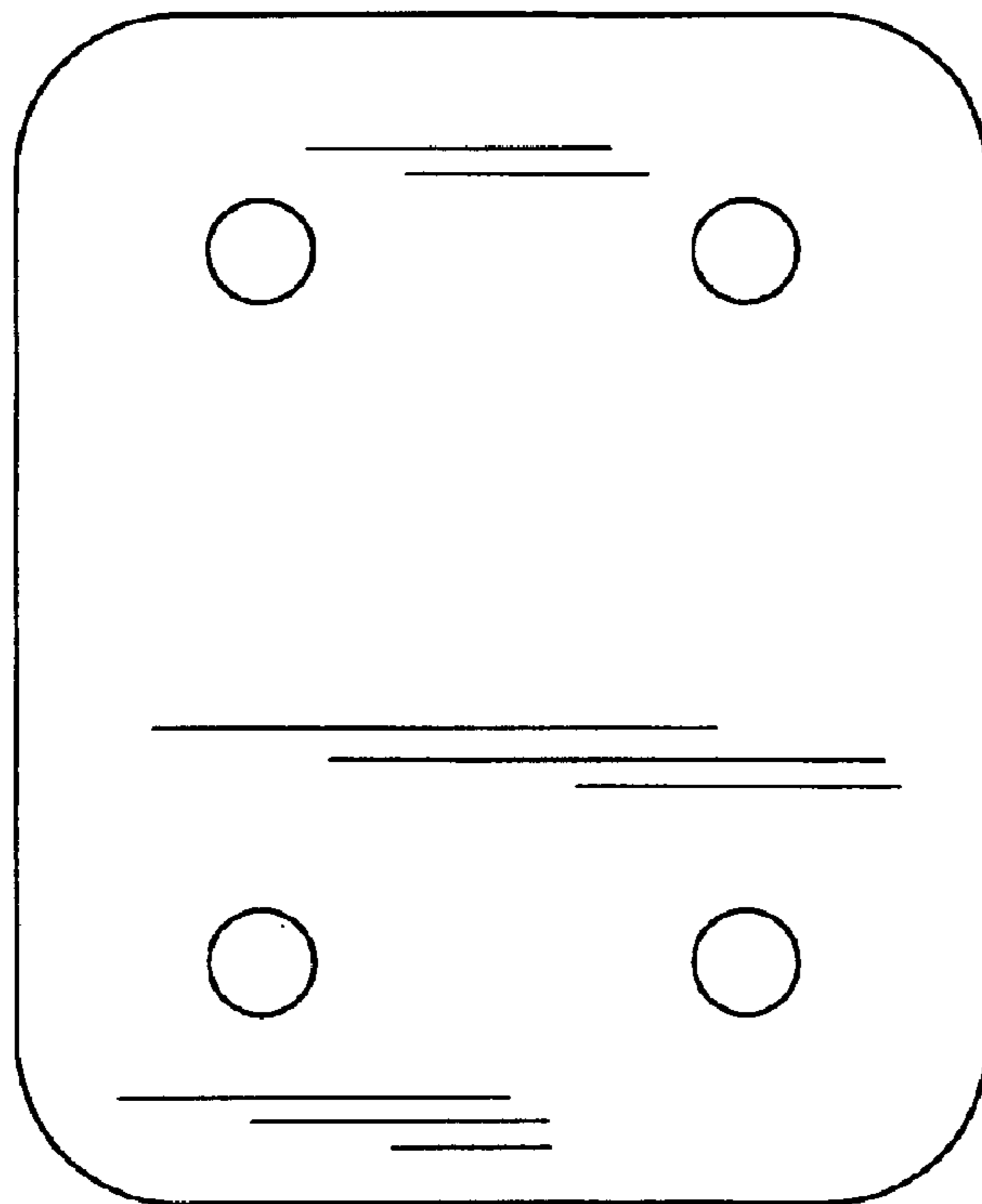


FIG. 8



FIG. 10

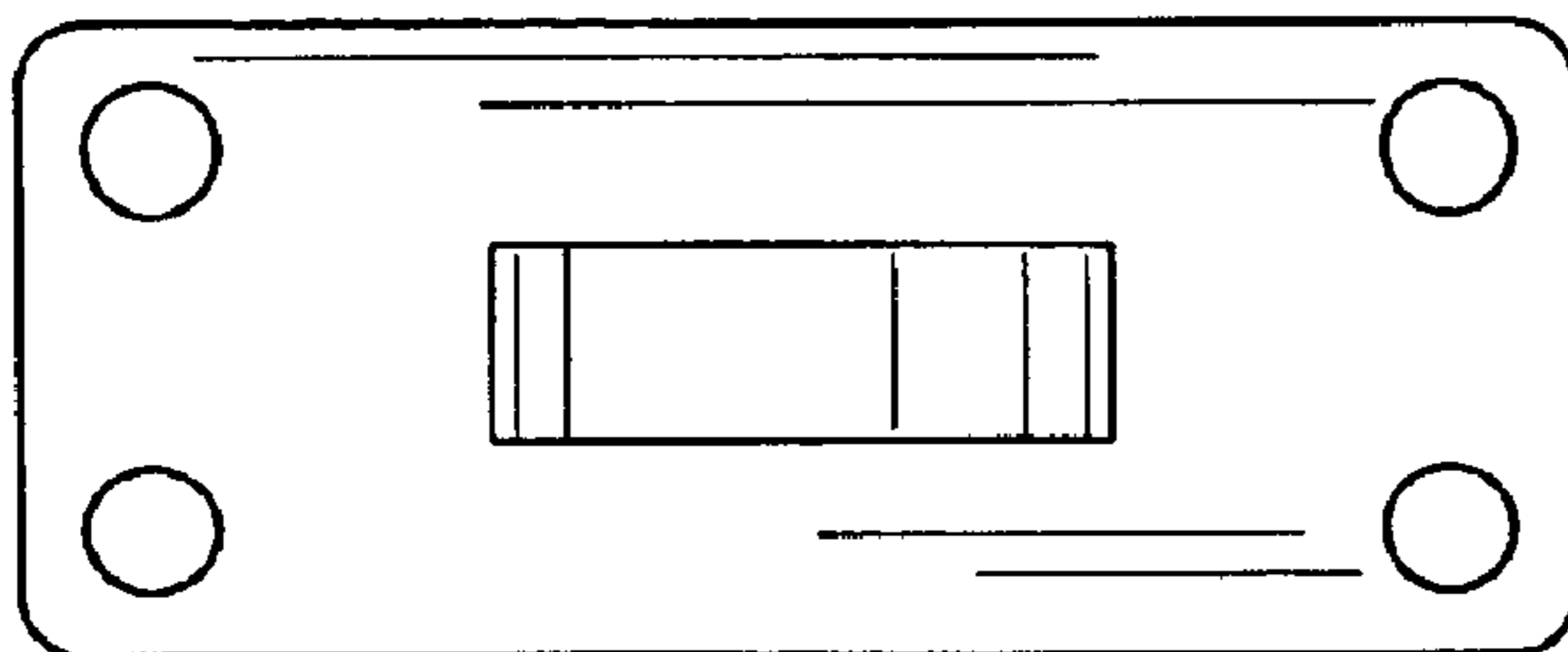


FIG. 9

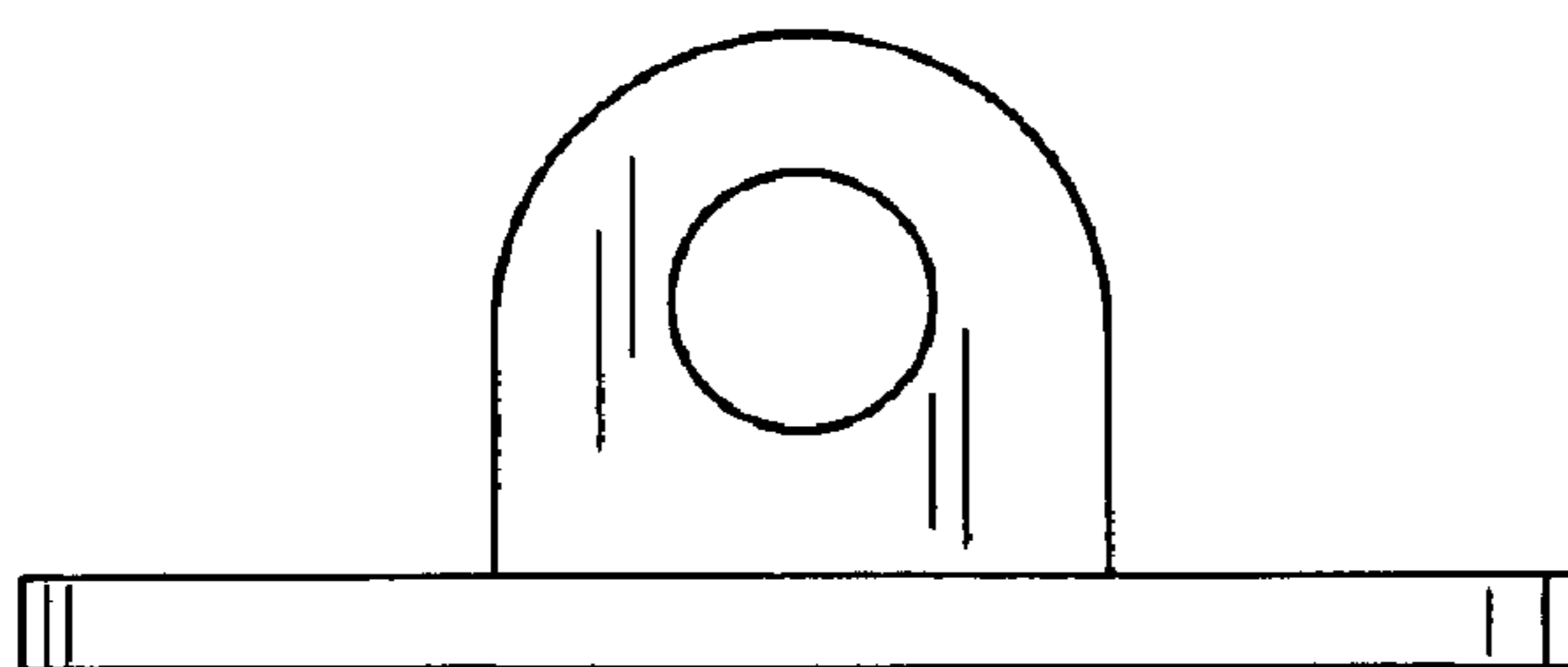


FIG. 11

