



US00D501783S

(12) **United States Design Patent** (10) **Patent No.:** **US D501,783 S**  
**Marzolf et al.** (45) **Date of Patent:** **\*\* Feb. 15, 2005**

(54) **OPERATING HANDLE FOR A CLOSURE ELEMENT**

(75) Inventors: **Ricci L. Marzolf**, New Hampton, IA (US); **Craig Helton**, Charles City, IA (US); **Christopher Lane**, New Hampton, IA (US)

(73) Assignee: **Tri/Mark Corporation**, New Hampton, IA (US)

(\*\*) Term: **14 Years**

(21) Appl. No.: **29/181,636**

(22) Filed: **May 13, 2003**

(51) **LOC (7) Cl.** ..... **08-06**

(52) **U.S. Cl.** ..... **D8/300**; D8/302

(58) **Field of Search** ..... D8/300-302, 315-320;  
70/104, 129; 292/336.3, 150, 153, 175;  
16/412, 418, 438, 445; D12/190

(56) **References Cited**

**U.S. PATENT DOCUMENTS**

|              |   |        |                    |       |           |
|--------------|---|--------|--------------------|-------|-----------|
| D162,504 S   | * | 3/1951 | Adkinson           | ..... | D8/320    |
| D338,608 S   | * | 8/1993 | Martin et al.      | ..... | D8/302    |
| D367,633 S   | * | 3/1996 | Monette et al.     | ..... | D12/190   |
| D389,722 S   | * | 1/1998 | Blom               | ..... | D8/319    |
| D453,100 S   | * | 1/2002 | Finkelstein et al. | ..... | D8/302    |
| 6,363,577 B1 | * | 4/2002 | Spitzley           | ..... | 292/336.3 |

D461,391 S \* 8/2002 Houdek et al. .... D8/320

\* cited by examiner

*Primary Examiner*—Paula A. Greene

(74) *Attorney, Agent, or Firm*—Wood, Phillips, Katz, Clark & Mortimer

(57) **CLAIM**

The ornamental design of a operating handle for a closure element, as shown and described.

**DESCRIPTION**

FIG. 1 is a front, top, and side perspective view of my operating handle for a closure element design;

FIG. 2 is an elevation view of my operating handle for a closure element design from the side opposite that in FIG. 1;

FIG. 3 is plan view of my operating handle for a closure element design;

FIG. 4 is an elevation view of my operating handle for a closure element design from the same side as in FIG. 1;

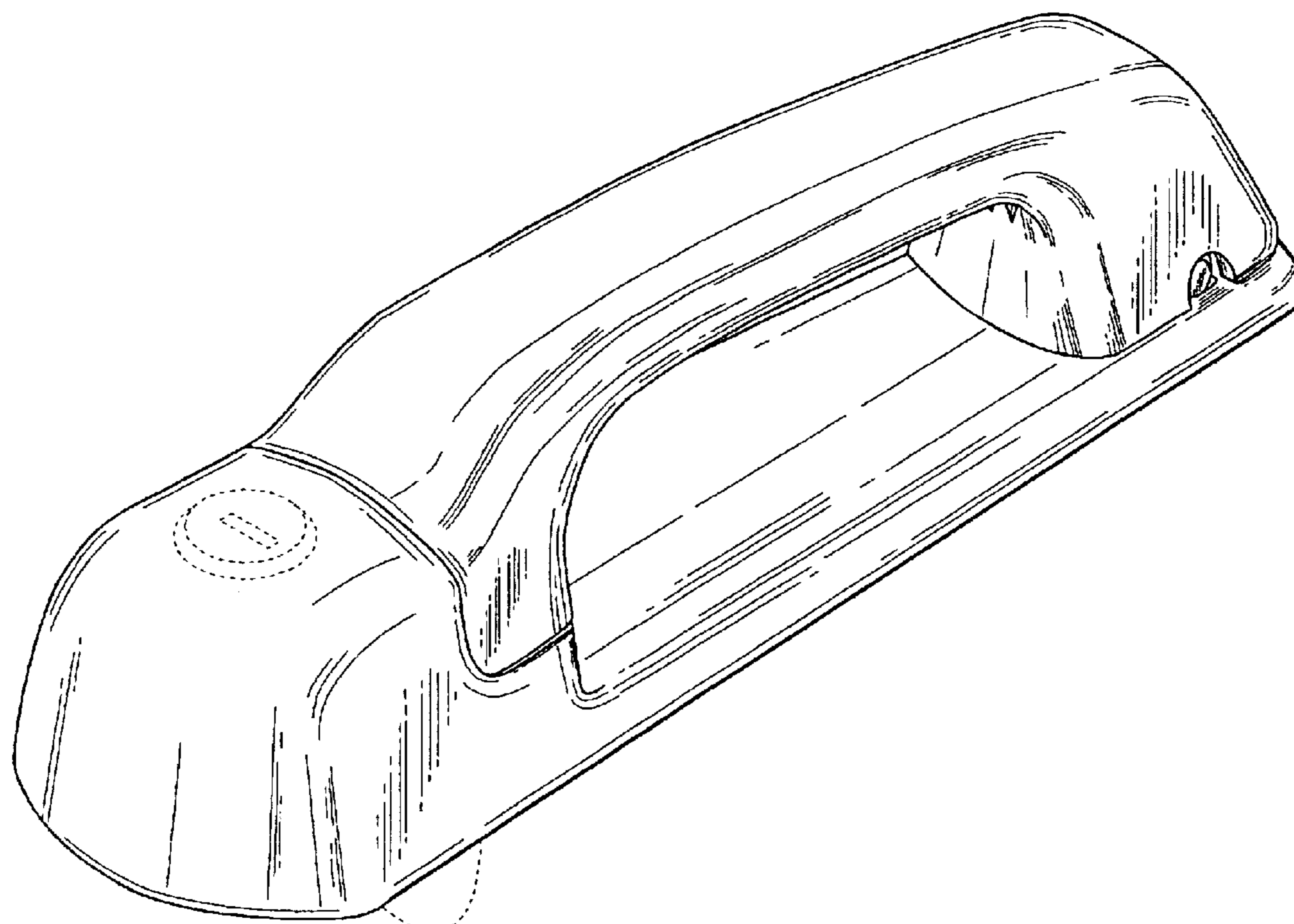
FIG. 5 is a bottom view of my operating handle for a closure element design;

FIG. 6 is a front elevation view of my operating handle for a closure element design; and,

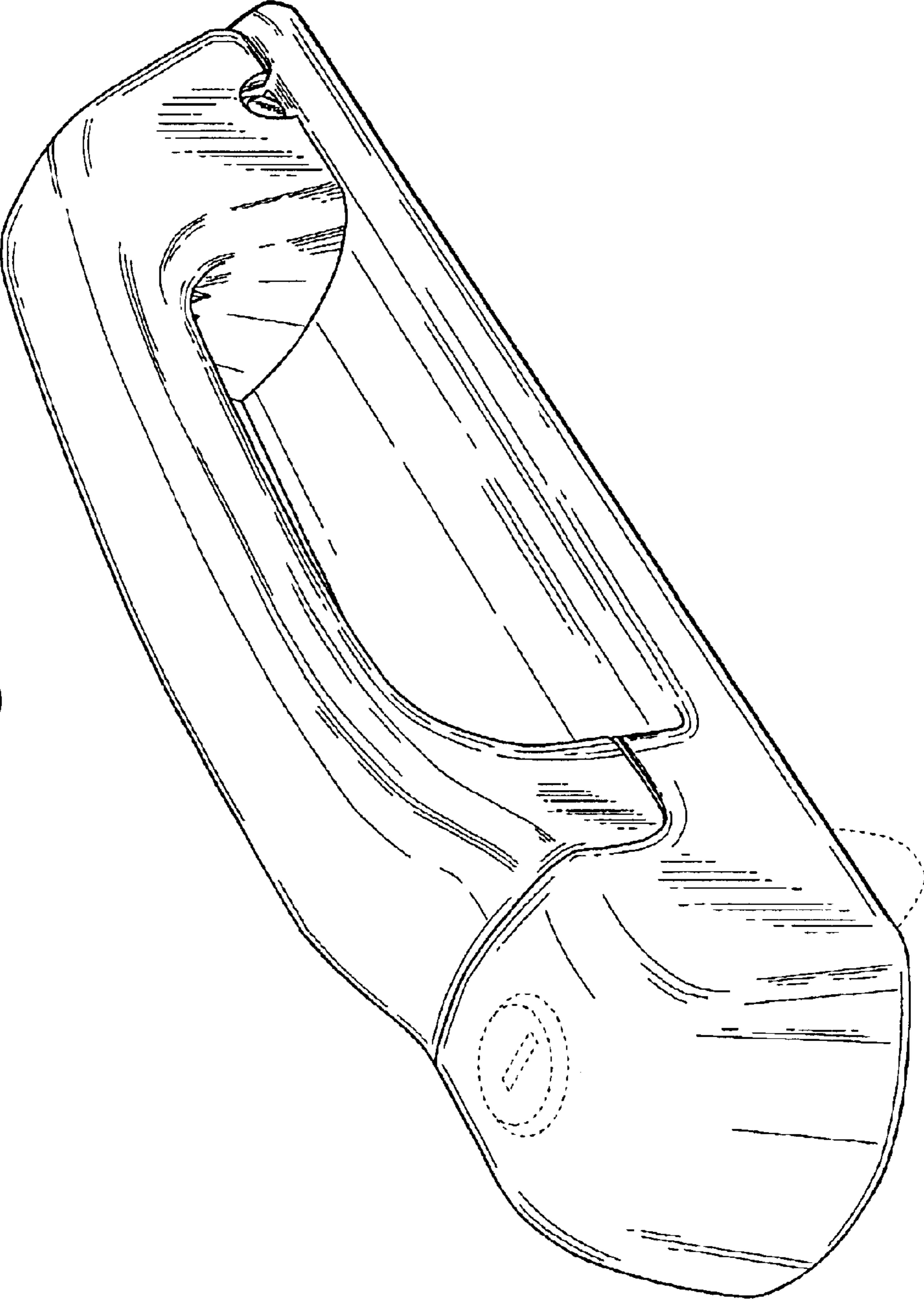
FIG. 7 is a rear elevation view of my operating handle for a closure element design.

The broken lines are for illustrative purposes only and forms no part of the claimed design.

**1 Claim, 4 Drawing Sheets**



*Fig. 1*



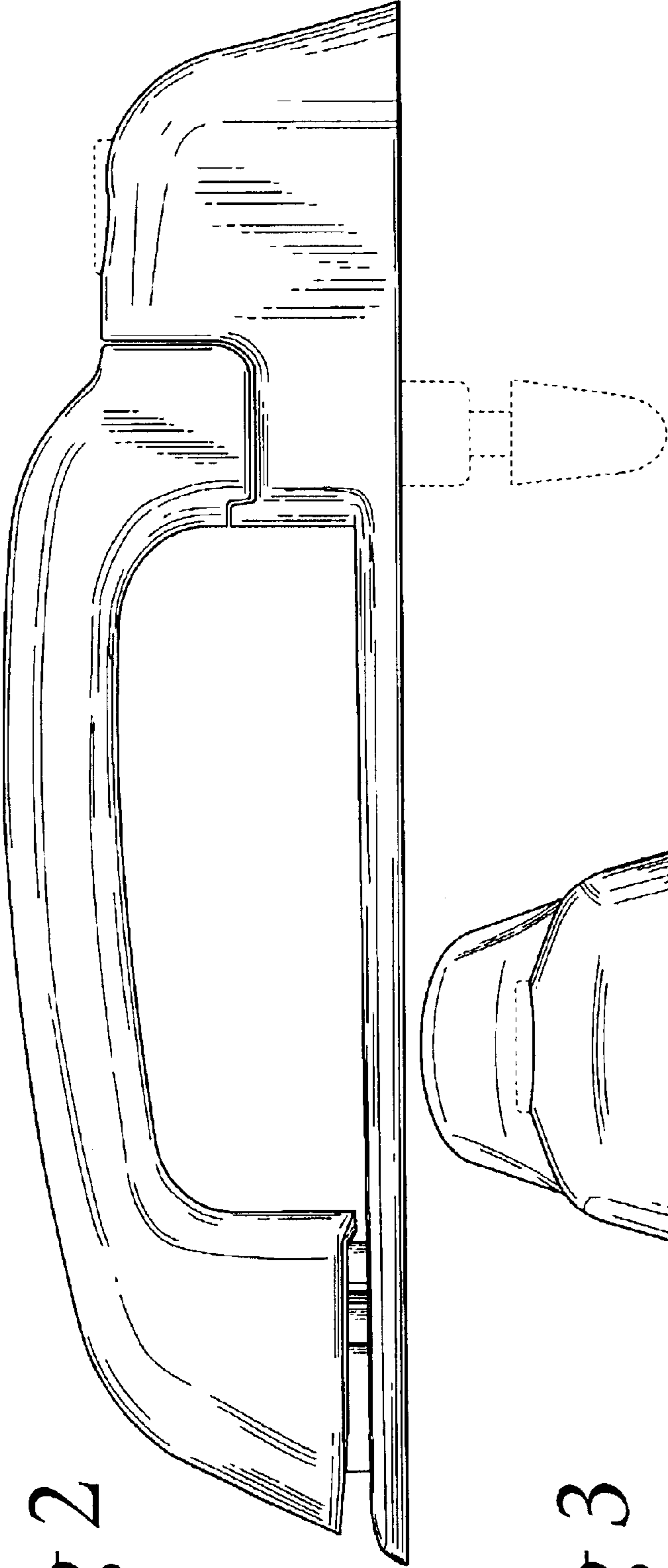


Fig 2

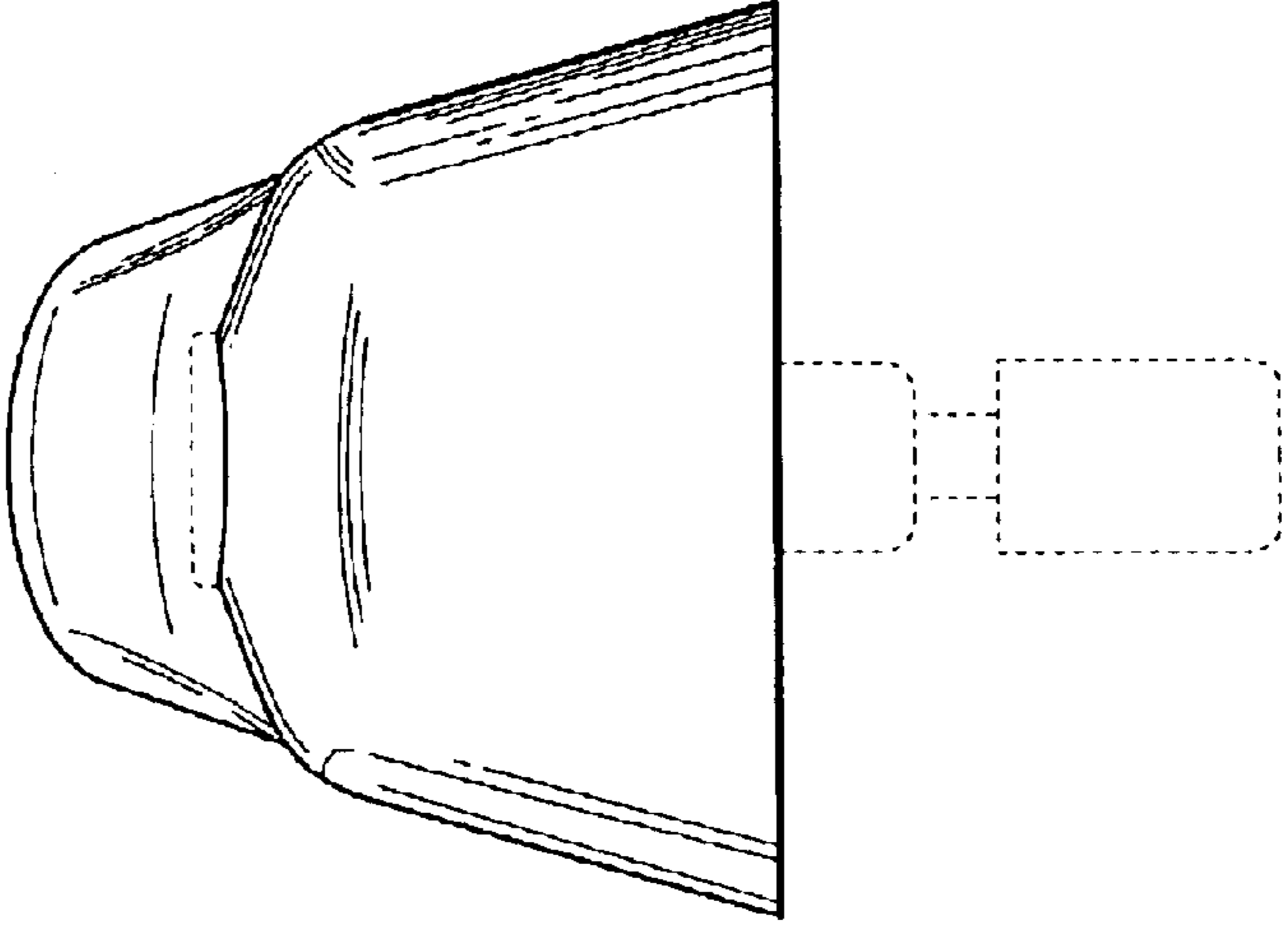


Fig 3



Fig 4

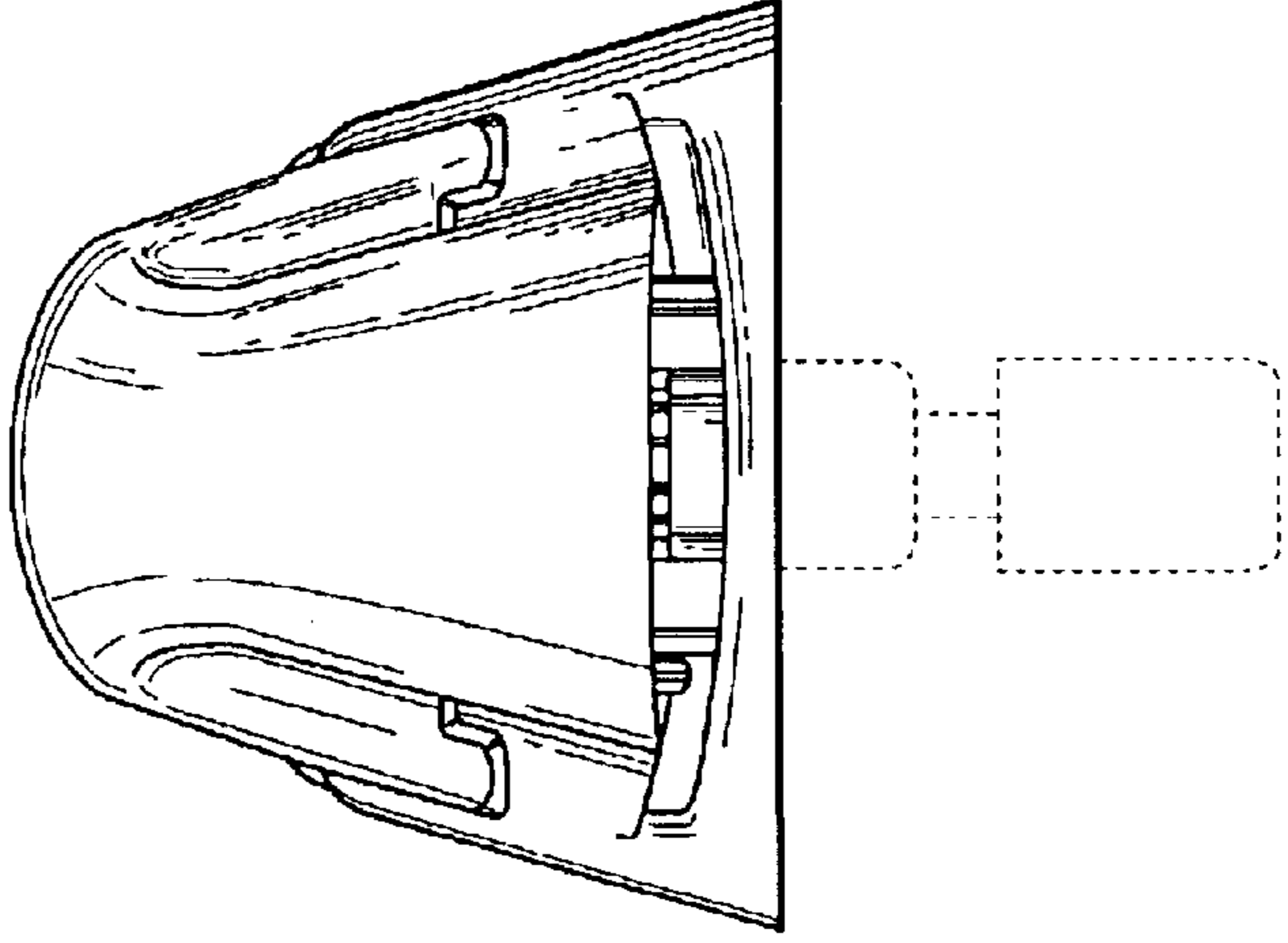


Fig 5



Fig. 6

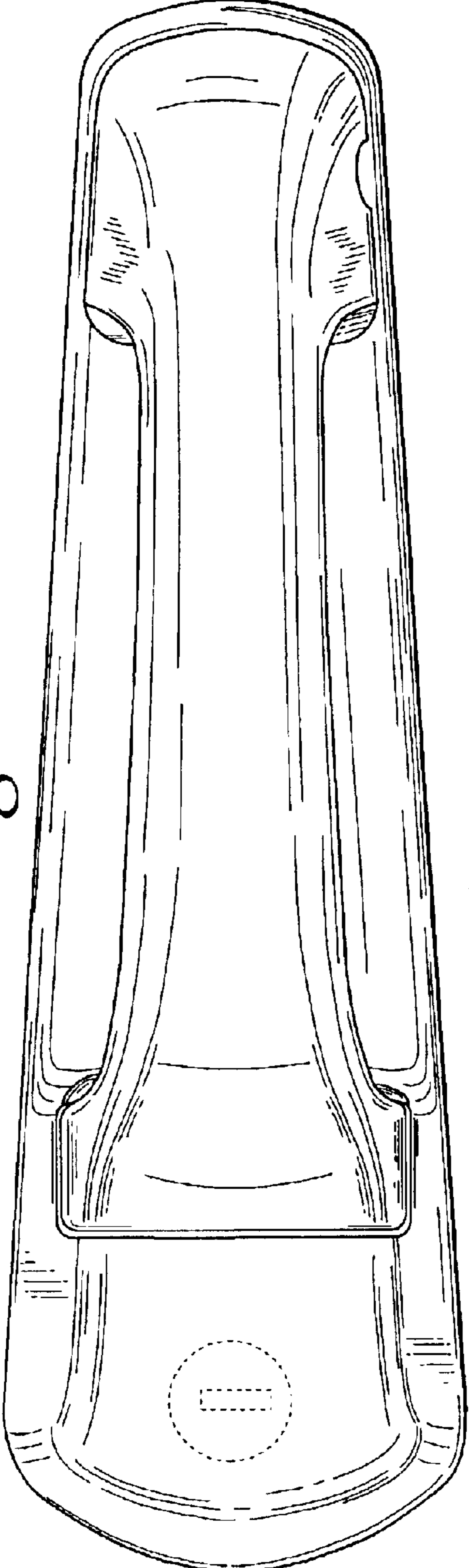


Fig. 7

