



US00D501782S

(12) **United States Design Patent**  
**Ping**

(10) **Patent No.:** **US D501,782 S**

(45) **Date of Patent:** **\*\* Feb. 15, 2005**

- (54) **UTILITY KNIFE**
- (75) **Inventor:** **Qiu Jian Ping**, Hangzhou (CN)
- (73) **Assignee:** **Great Neck Saw Manufacturers, Inc.**,  
Mineola, NY (US)
- (\*\*) **Term:** **14 Years**
- (21) **Appl. No.:** **29/196,601**
- (22) **Filed:** **Dec. 31, 2003**

- 4,347,665 A 9/1982 Glesser
- 4,442,600 A 4/1984 Felix-Salichow
- 4,570,341 A 2/1986 Konneker
- 4,604,805 A 8/1986 Krieger
- 4,665,615 A 5/1987 Martinez
- 4,669,188 A 6/1987 Evrell
- 4,719,700 A 1/1988 Taylor, Jr.
- 4,805,303 A 2/1989 Gibbs
- 4,811,486 A 3/1989 Cunningham
- 4,920,644 A 5/1990 La Gattuta
- 4,936,014 A 6/1990 Shaanan et al.
- 5,044,079 A 9/1991 Gibbs
- 5,095,624 A 3/1992 Ennis
- 5,125,157 A 6/1992 Howard
- 5,400,509 A 3/1995 Collins
- 5,511,310 A 4/1996 Sessions

**Related U.S. Application Data**

- (63) Continuation-in-part of application No. 29/181,557, filed on May 13, 2003, now Pat. No. Des. 495,939.
- (51) **LOC (7) Cl.** ..... **08-03**
- (52) **U.S. Cl.** ..... **D8/99**
- (58) **Field of Search** ..... D8/98, 99, 105;  
30/154, 155, 156, 157, 158, 159, 160, 161,  
162, 330

(List continued on next page.)

**FOREIGN PATENT DOCUMENTS**

CN 02-2-88379.7 12/2002

*Primary Examiner*—Philip S. Hyder  
(74) *Attorney, Agent, or Firm*—Joseph J. Previto

(56) **References Cited**

**U.S. PATENT DOCUMENTS**

- 97,154 A 11/1869 Barnard
- 493,075 A 3/1893 Evertz
- 515,045 A 2/1894 Bultzingslowen
- 584,077 A 6/1897 Jackson
- 596,096 A 12/1897 Watts
- 988,068 A 3/1911 Beardsley
- 1,362,142 A 12/1920 Rohrer
- 1,444,324 A 2/1923 Brooks
- 1,706,251 A 3/1929 Perry
- 2,134,973 A 11/1938 Harwell
- 2,265,775 A 12/1941 McNamara
- 2,284,128 A 5/1942 Bush
- 2,523,575 A 9/1950 Kassel
- 2,914,850 A 12/1959 Kuhl
- 2,980,996 A 4/1961 Beran
- 3,306,297 A 2/1967 Voorhees
- 3,568,315 A 3/1971 Smith
- 4,017,969 A 4/1977 Stonebraker
- 4,040,181 A 8/1977 Johnson
- 4,261,104 A 4/1981 Cuscovitch

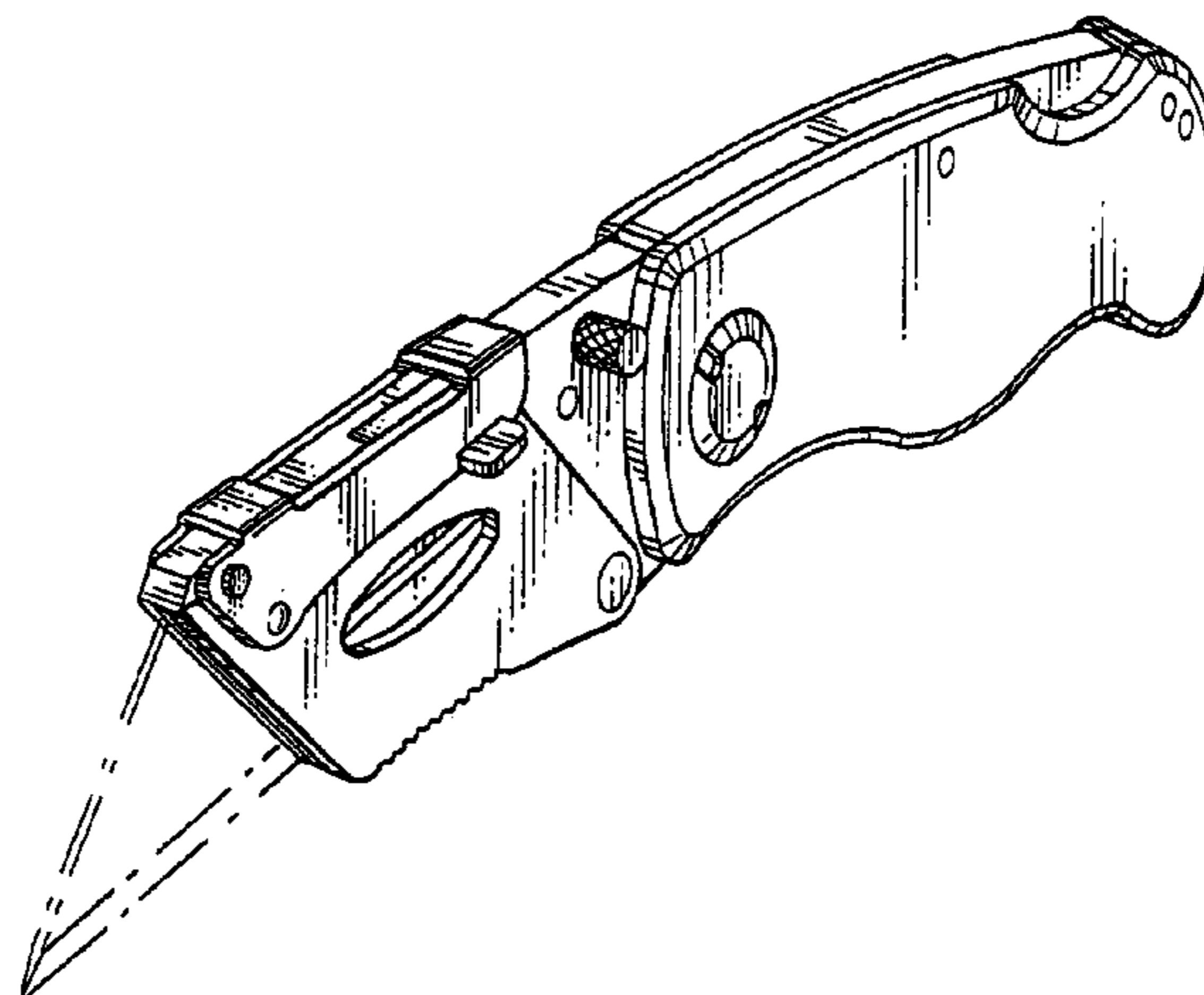
(57) **CLAIM**

The ornamental design for a utility knife, as shown and described.

**DESCRIPTION**

FIG. 1 is a perspective view of my new design showing it in an unfolded position.  
 FIG. 2 is a top view thereof.  
 FIG. 3 is a side view thereof.  
 FIG. 4 is a front view thereof.  
 FIG. 5 is a rear view thereof.  
 FIG. 6 is a bottom view thereof.  
 FIG. 7 is another side view thereof.  
 FIG. 8 is a side view thereof showing it in a partially folded position; and,  
 FIG. 9 is a side view thereof showing it in a folded position.  
 The broken line showing of the blade is for illustrative purposes only and forms no part of the claimed design.

**1 Claim, 4 Drawing Sheets**



# US D501,782 S

Page 2

---

## U.S. PATENT DOCUMENTS

D373,062 S *	8/1996	Neron .....	D8/99	6,256,887 B1	7/2001	Osborne	
5,769,094 A	6/1998	Jenkins, Jr.		6,256,888 B1	7/2001	Shuen	
5,826,340 A	10/1998	Hull		6,263,581 B1	7/2001	Forte	
5,909,930 A	6/1999	Ragland		6,354,007 B1	3/2002	Scarla	
5,966,816 A	10/1999	Roberson		6,370,778 B1	4/2002	Conable	
5,979,059 A	11/1999	Leatherman		6,487,740 B2	12/2002	Seber	
D422,479 S *	4/2000	Pardue .....	D8/99	D474,669 S *	5/2003	Onion .....	D8/99
6,170,104 B1	1/2001	Seber		D494,437 S *	8/2004	Scarla .....	D8/99
6,170,158 B1	1/2001	Daily		D495,939 S *	9/2004	Ping .....	D8/99
D437,767 S *	2/2001	Van Deursen .....	D8/99	2002/0059730 A1	5/2002	Flavigny	

\* cited by examiner

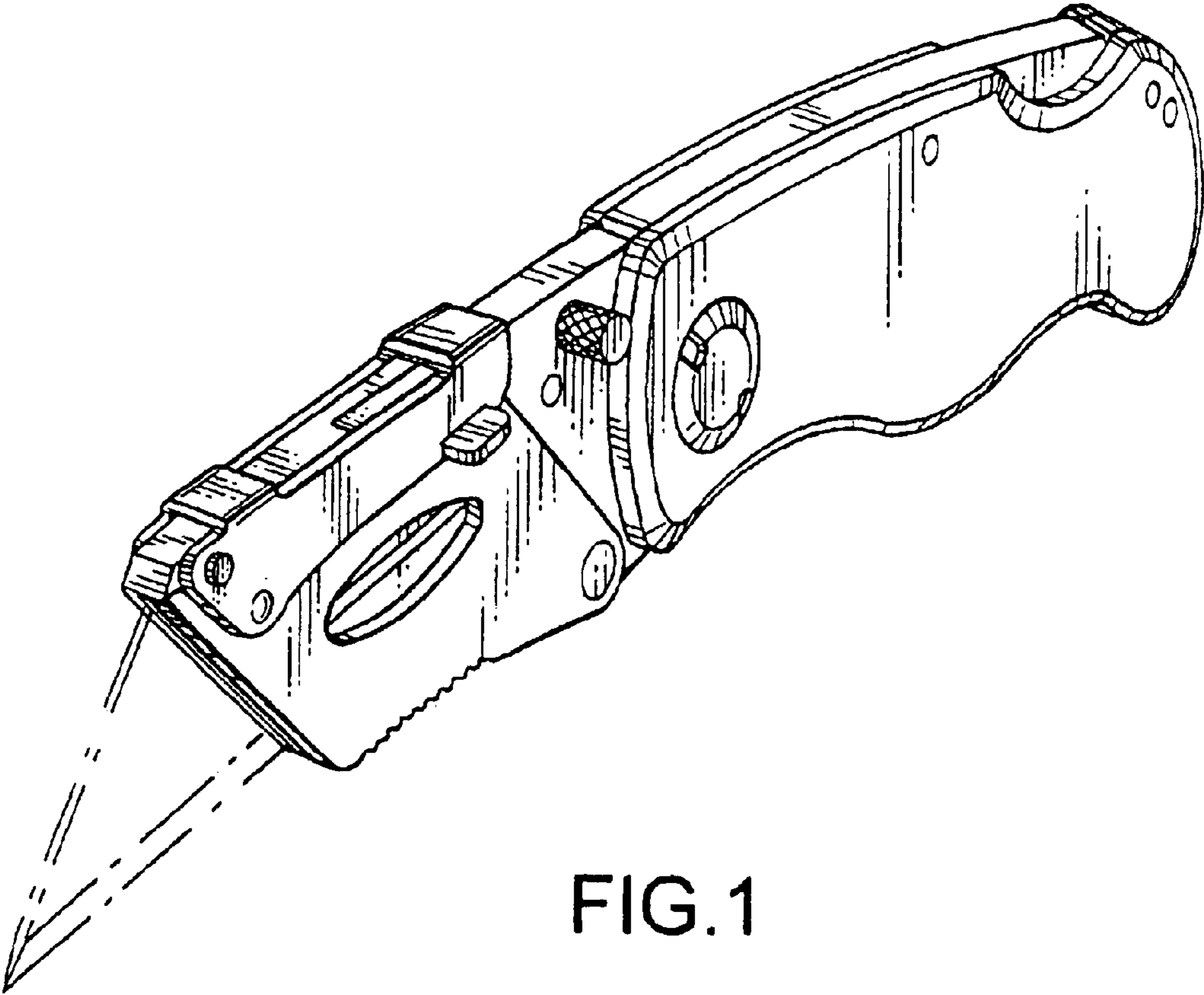


FIG. 1

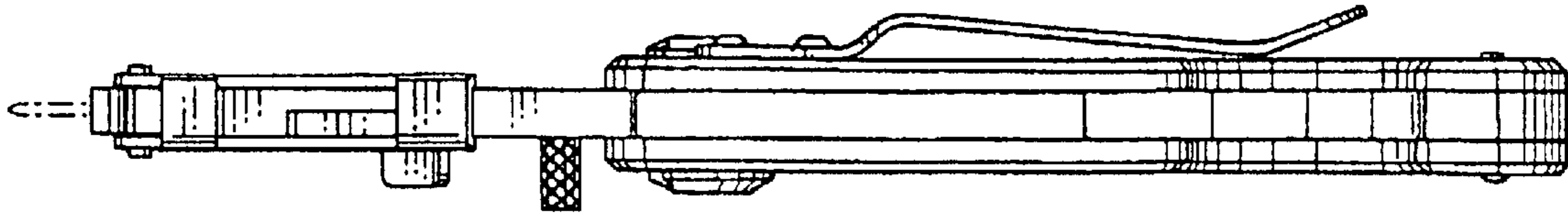


FIG. 2

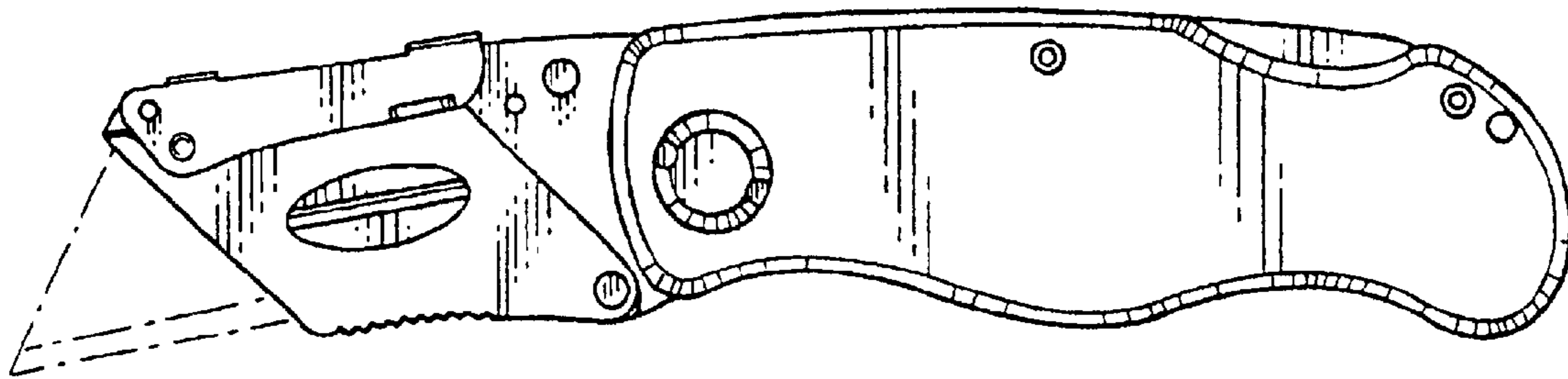


FIG. 3

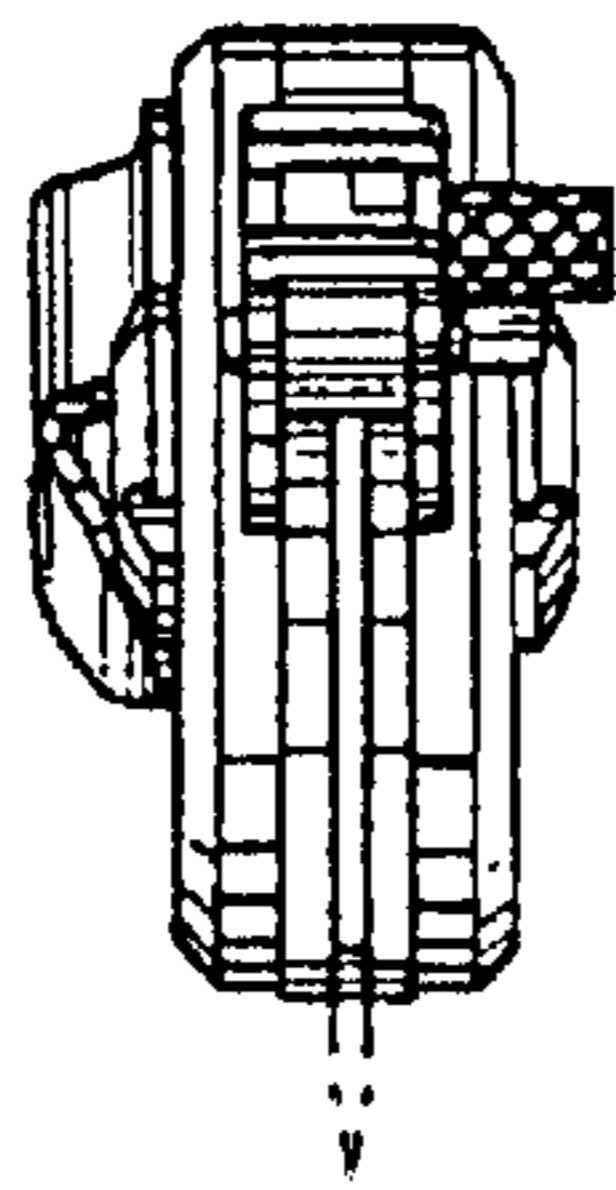


FIG. 4

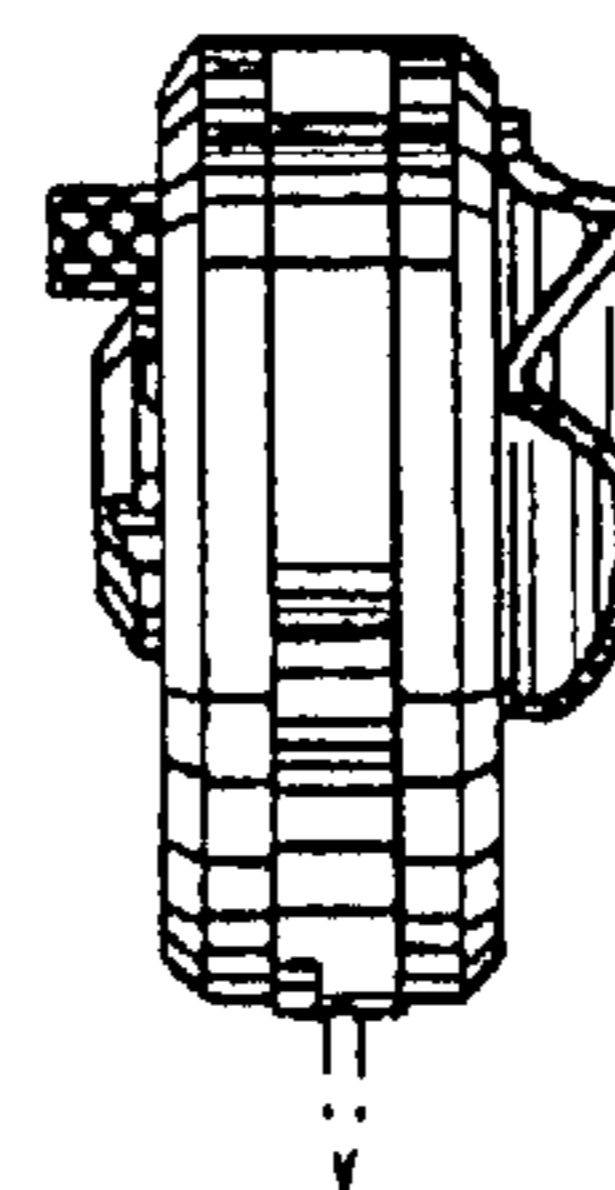


FIG. 5

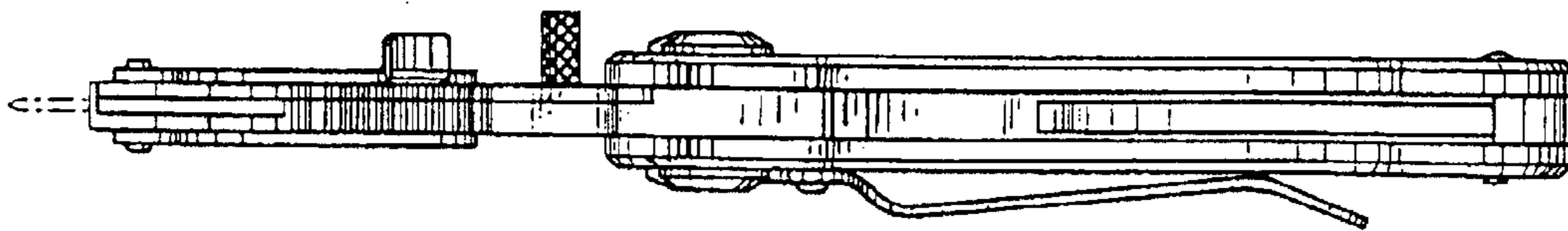


FIG. 6

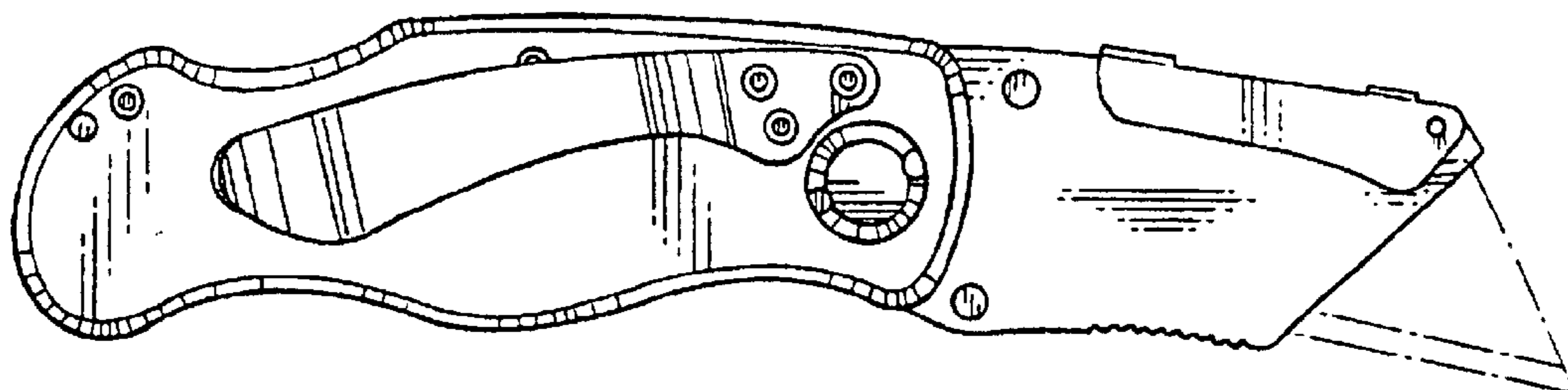


FIG. 7

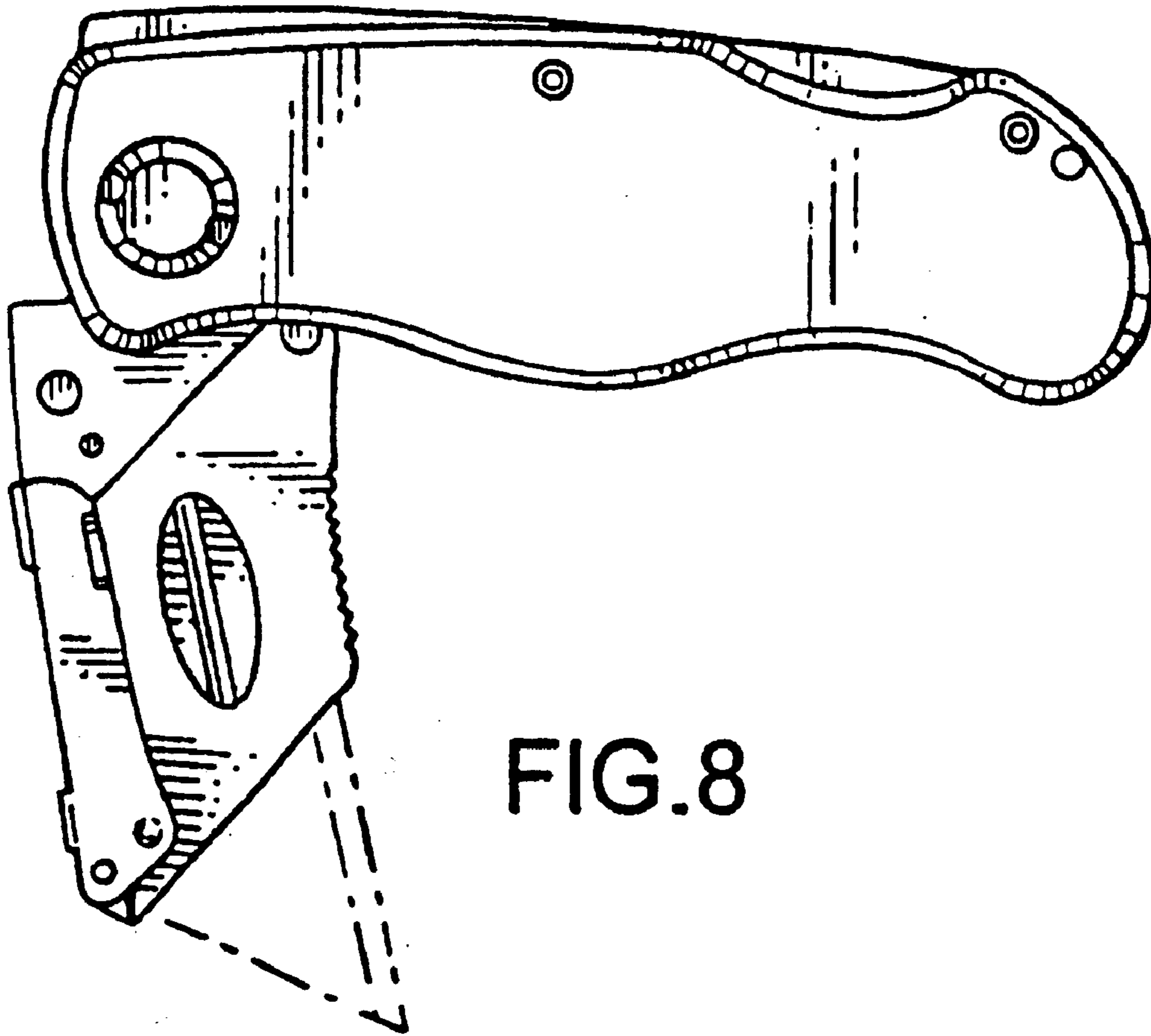


FIG. 8

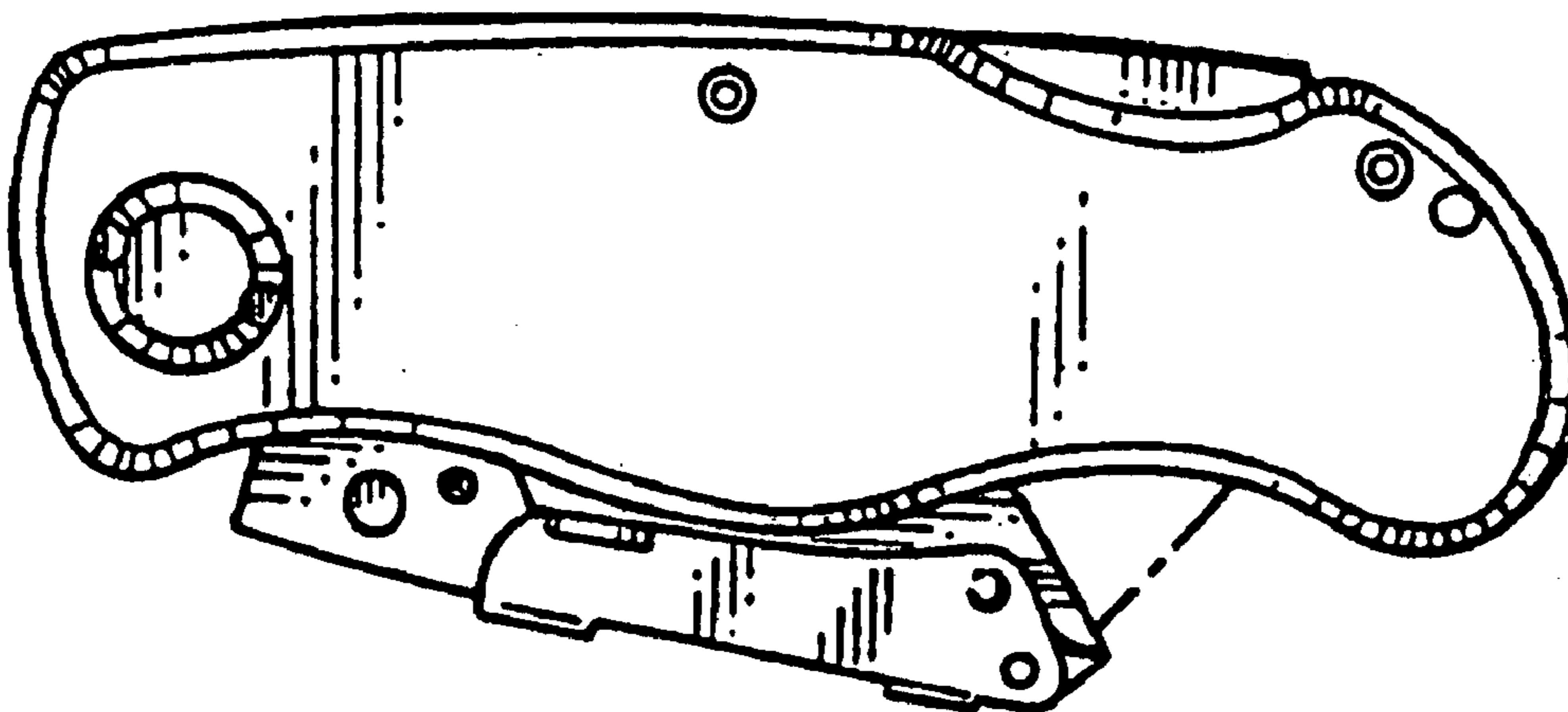


FIG. 9