

US00D501780S

(12) **United States Design Patent** (10) **Patent No.:** **US D501,780 S**  
**Thomas et al.** (45) **Date of Patent:** **\*\* Feb. 15, 2005**

(54) **SAW HANDLE**  
 (75) Inventors: **Rickey J. Thomas**, Manchester, MD  
 (US); **Robert Welsh**, Hunt Valley, MD  
 (US)  
 (73) Assignee: **Black & Decker Inc.**, Newark, DE  
 (US)  
 (\*\*) Term: **14 Years**

D251,964 S \* 5/1979 Breger ..... D8/97  
 4,180,110 A 12/1979 Tauscher  
 D259,328 S 5/1981 Covey ..... D8/97  
 D269,848 S 7/1983 Covey ..... D8/97  
 4,630,368 A 12/1986 Izzi, Sr. .... 30/289  
 D310,318 S 9/1990 Backman ..... D8/95  
 D321,119 S 10/1991 Ciccone, III et al. .... D8/97  
 D403,224 S \* 12/1998 Martin et al. .... D8/96  
 D405,673 S 2/1999 Bidstrup et al. .... D8/97  
 6,070,330 A \* 6/2000 Phelon et al. .... 30/513  
 D428,321 S \* 7/2000 Ranieri et al. .... D8/96  
 D455,628 S \* 4/2002 Douglas ..... D8/96

(21) Appl. No.: **29/176,833**  
 (22) Filed: **Feb. 27, 2003**

\* cited by examiner

(51) **LOC (7) Cl.** ..... **08-03**  
 (52) **U.S. Cl.** ..... **D8/97**  
 (58) **Field of Search** ..... D8/95, 96, 97,  
 D8/98, 107; 30/506, 507, 508, 509, 511,  
 512, 513, 514, 517, 522

*Primary Examiner*—Philip S. Hyder  
 (74) *Attorney, Agent, or Firm*—Harness, Dickey & Pierce  
 P.L.C.

(57) **CLAIM**

The ornamental design for a saw handle, as shown and described.

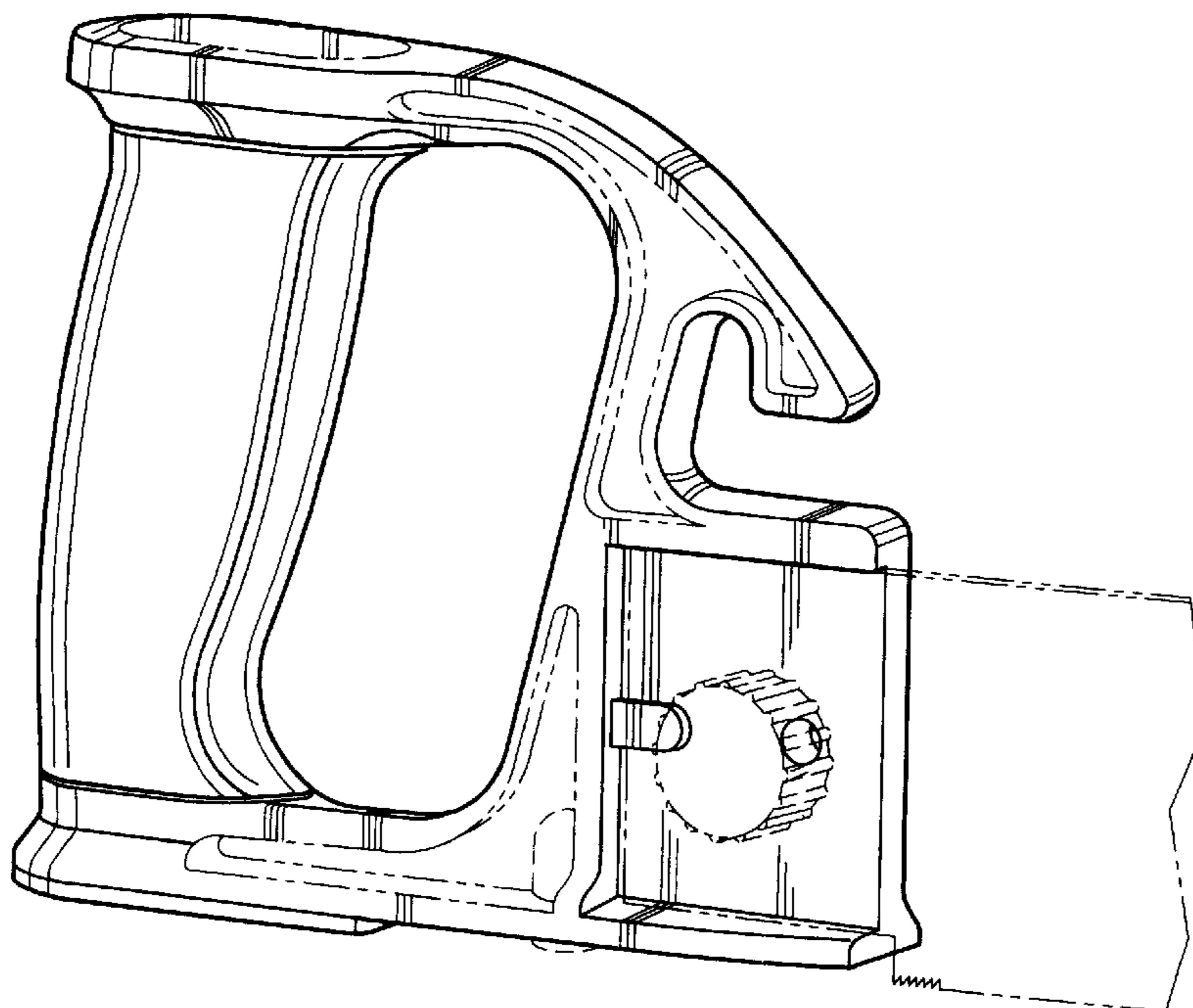
(56) **References Cited**  
 U.S. PATENT DOCUMENTS

**DESCRIPTION**

327,776 A 10/1885 Eisenhardt  
 946,163 A 1/1910 Speyer  
 1,119,787 A 12/1914 Pause  
 2,017,895 A 10/1935 Davey  
 2,137,800 A 11/1938 Davey  
 2,149,241 A 2/1939 Davey  
 2,282,902 A 5/1942 Sultan  
 2,606,584 A 8/1952 Derr  
 2,890,732 A 6/1959 Westlund, Jr.  
 D231,076 S \* 4/1974 Carlsson ..... D8/97  
 3,837,024 A 9/1974 Saunders  
 3,840,059 A 10/1974 Ingro  
 D251,825 S \* 5/1979 Breger ..... D8/97

FIG. 1 is a left side perspective view of a saw handle;  
 FIG. 2 is a right side perspective view thereof;  
 FIG. 3 is a left side view thereof;  
 FIG. 4 is a right side view thereof;  
 FIG. 5 is a top view thereof;  
 FIG. 6 is a bottom view thereof;  
 FIG. 7 is a back view thereof; and,  
 FIG. 8 is a front view thereof.  
 The lines shown in phantom in all of the figures are for illustrative purposes only and do not form part of the invention.

**1 Claim, 3 Drawing Sheets**



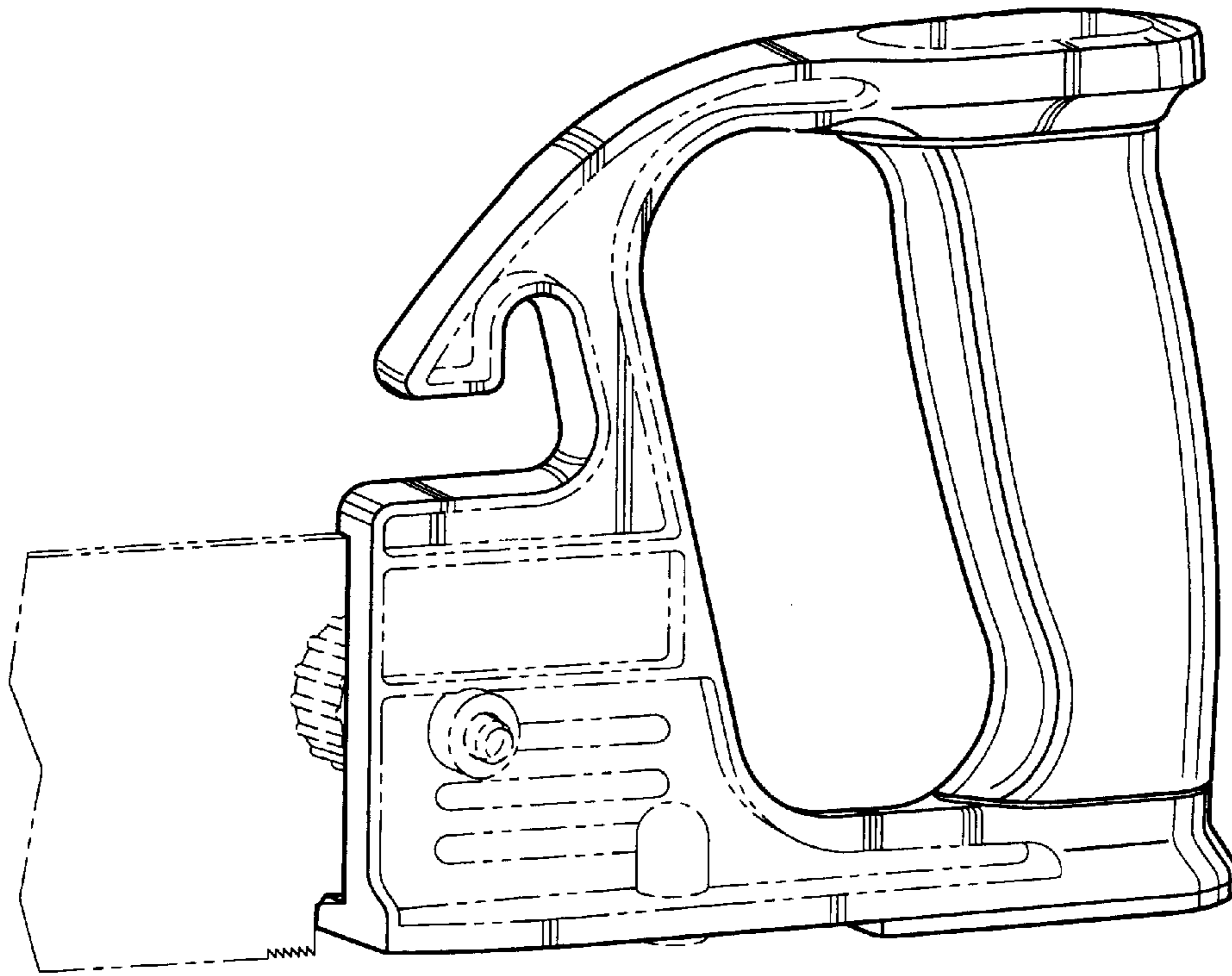


Fig-1

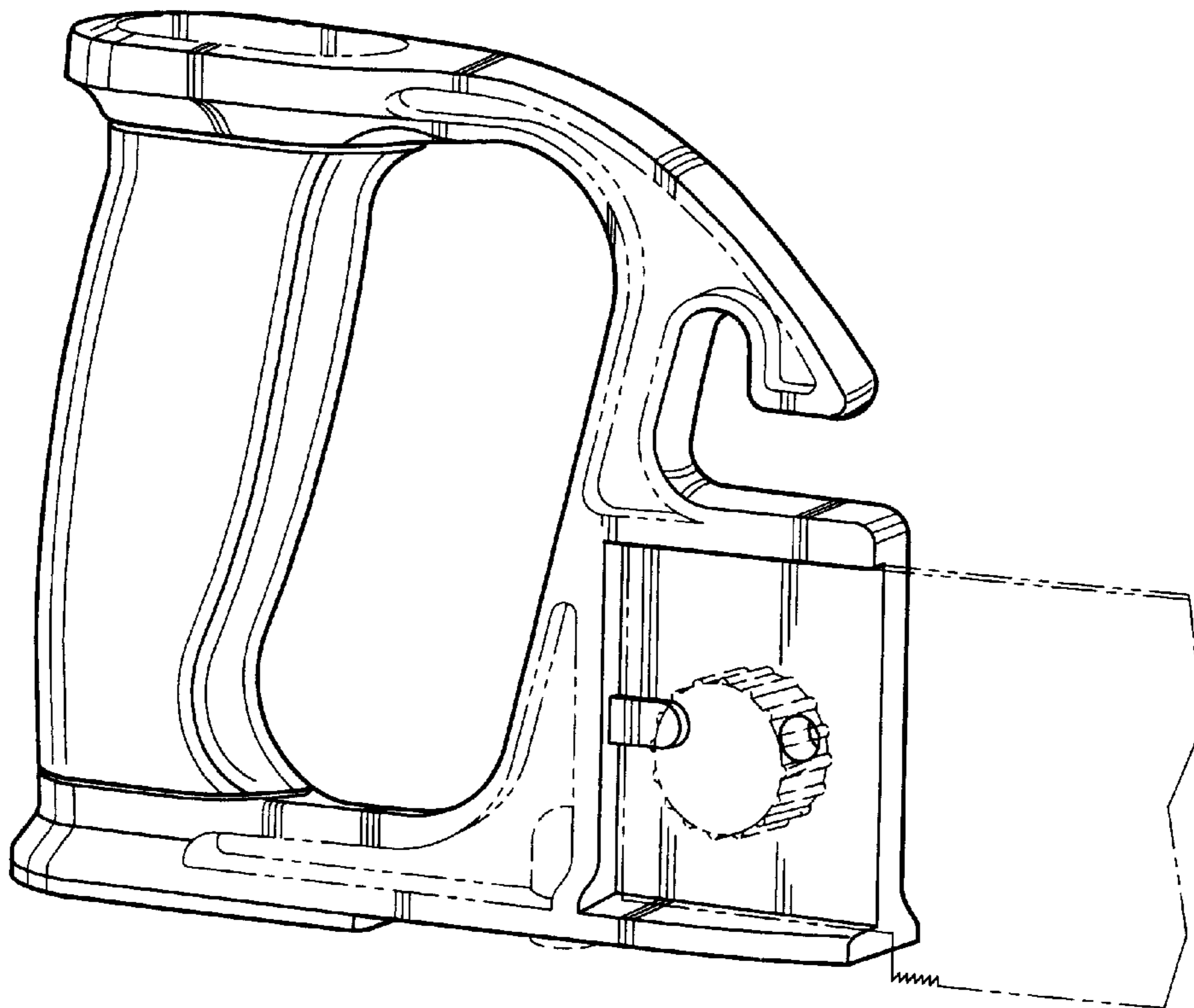


Fig-2

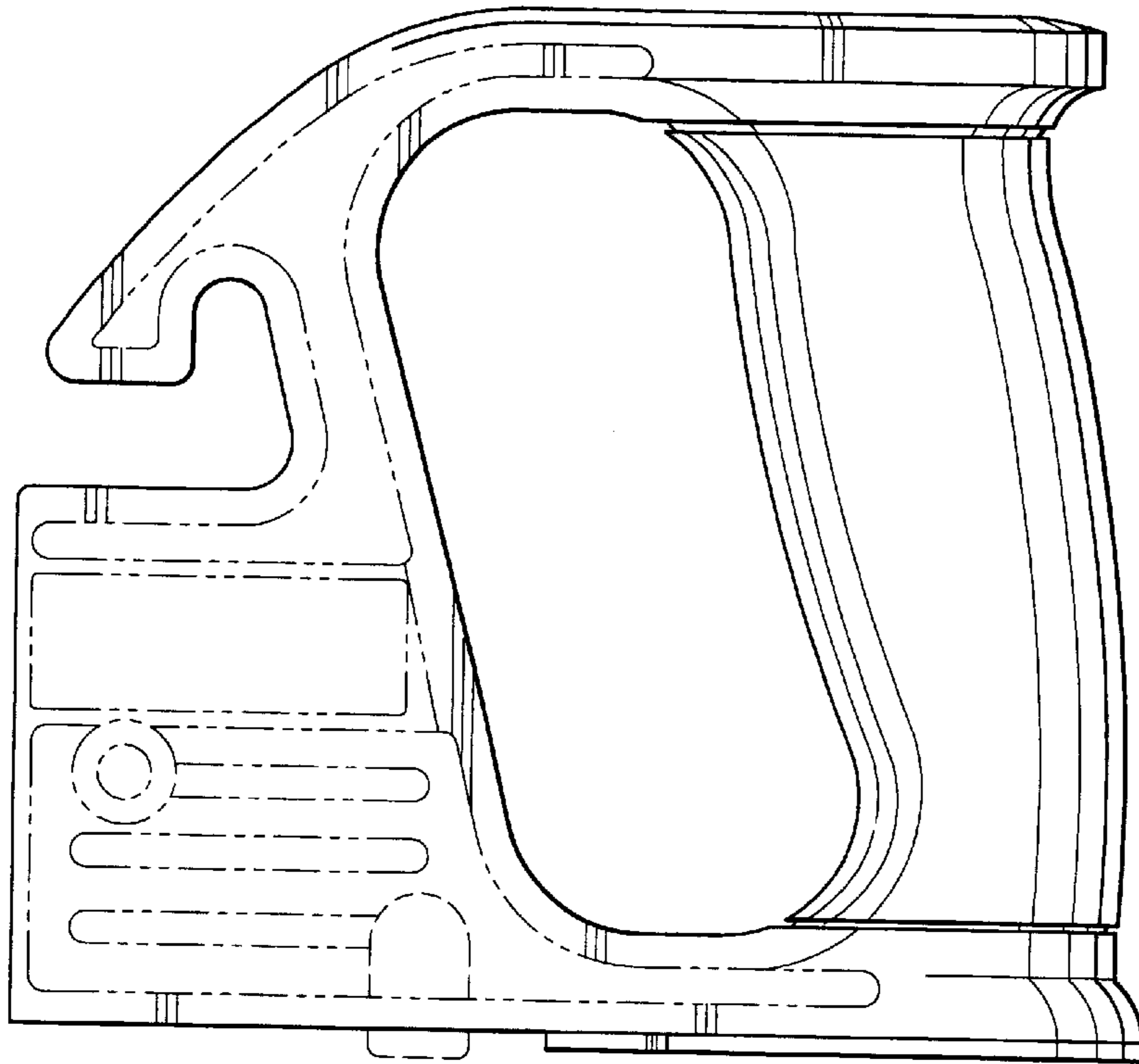


Fig-3

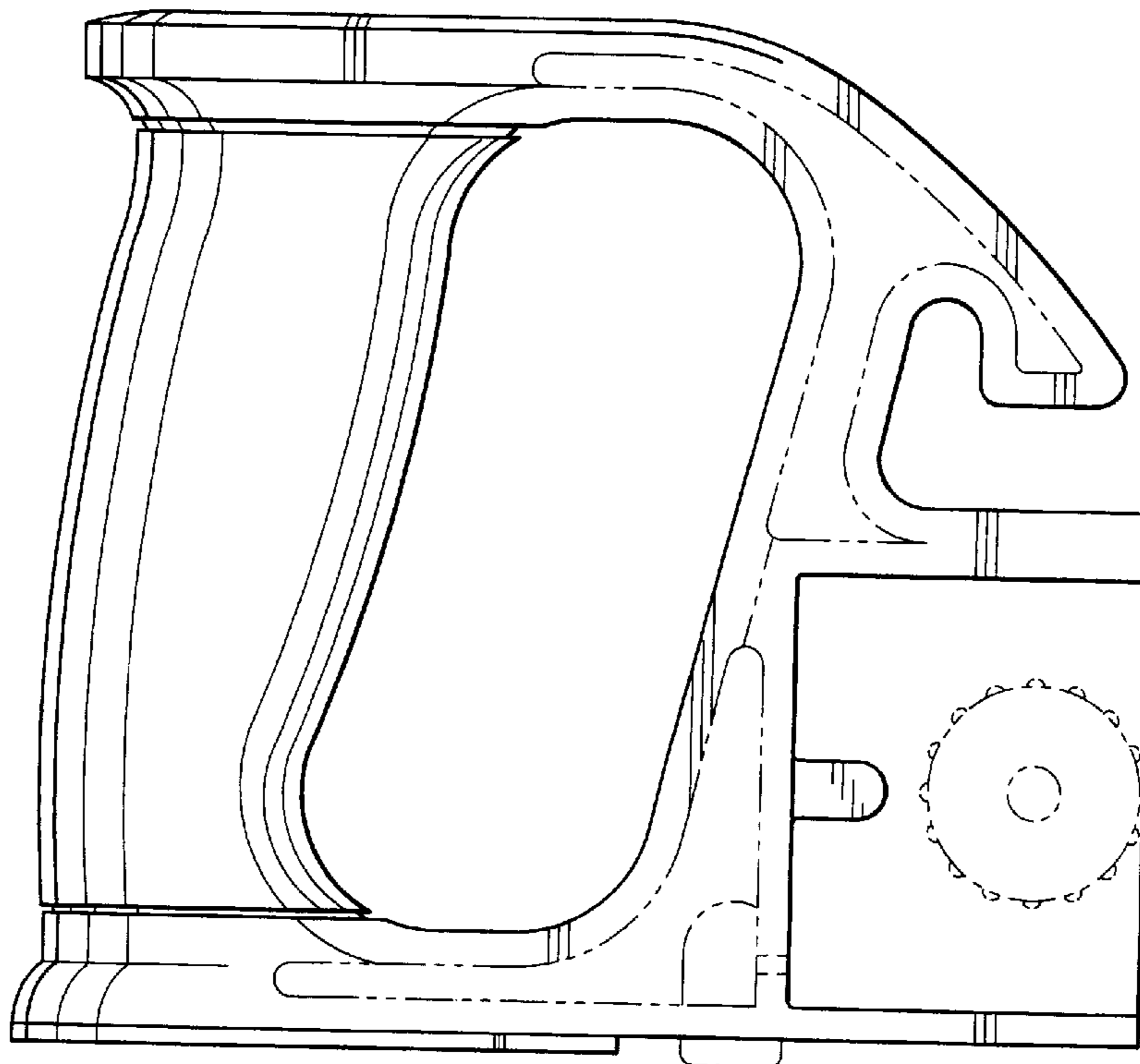


Fig-4

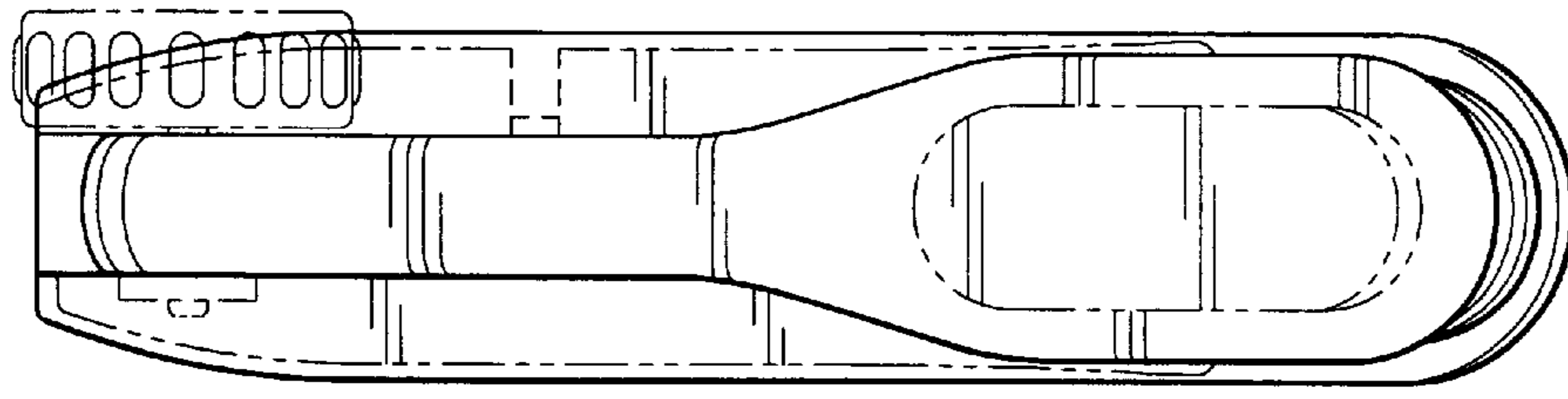


Fig-5

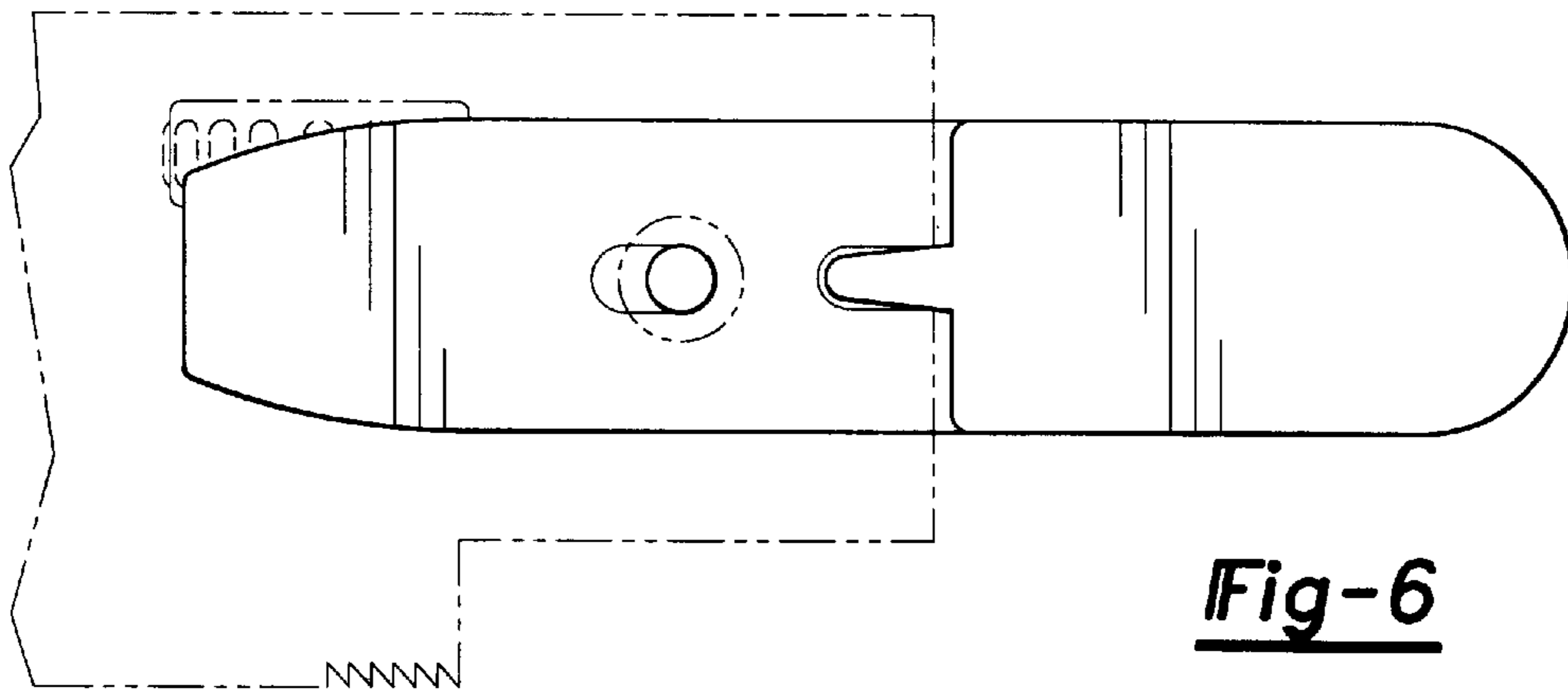


Fig-6

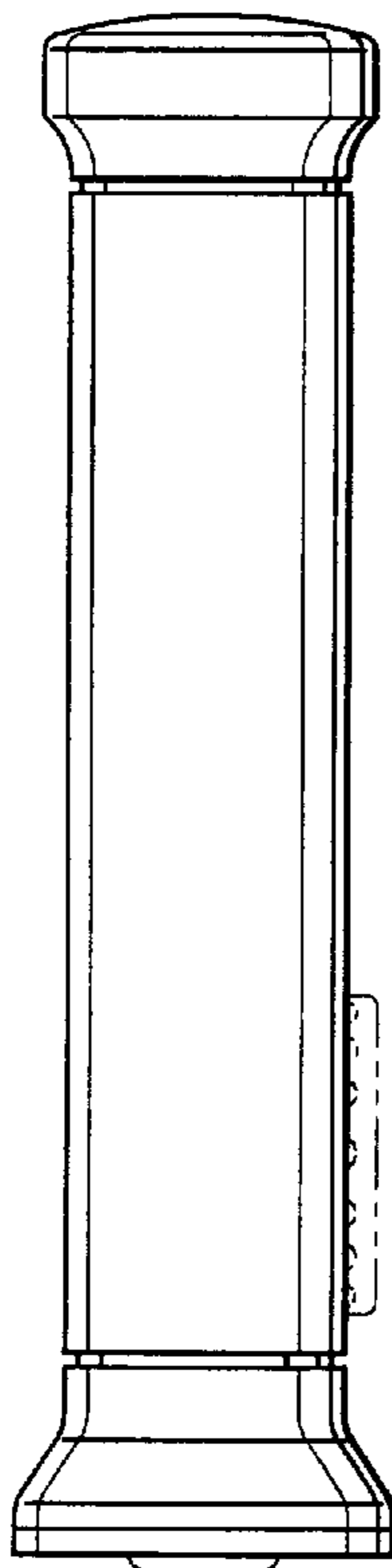


Fig-7

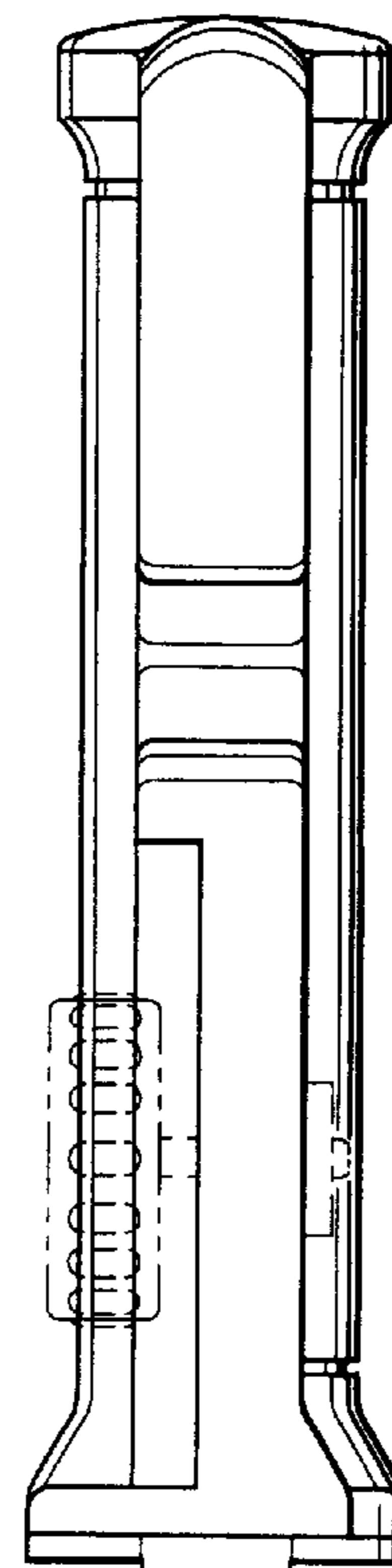


Fig-8